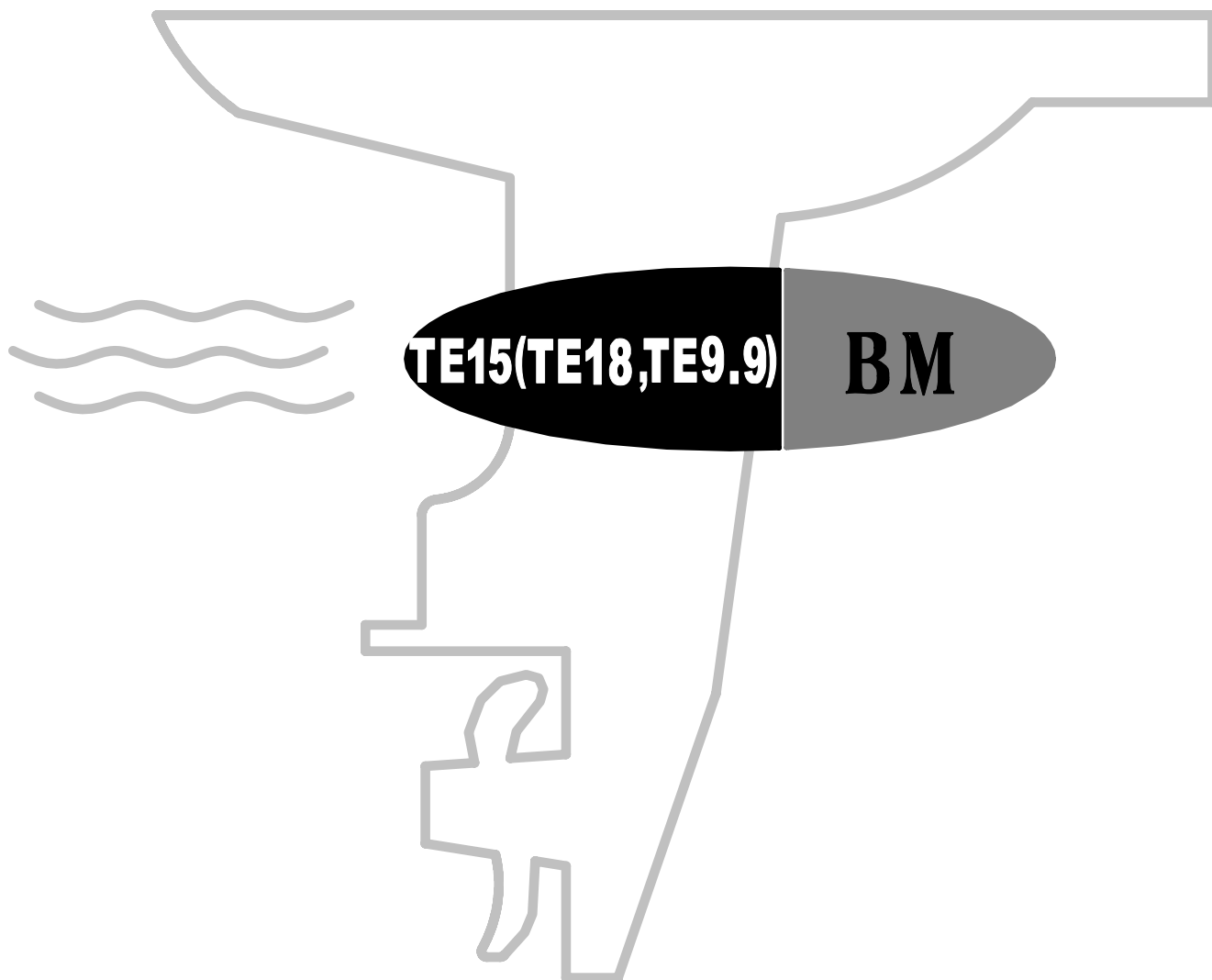


零件目录

PARTS CATALOGUE



苏州百胜动力机器有限公司

SUZHOU PARSUN POWER MACHINE CO., LTD

目录

CONTENTS

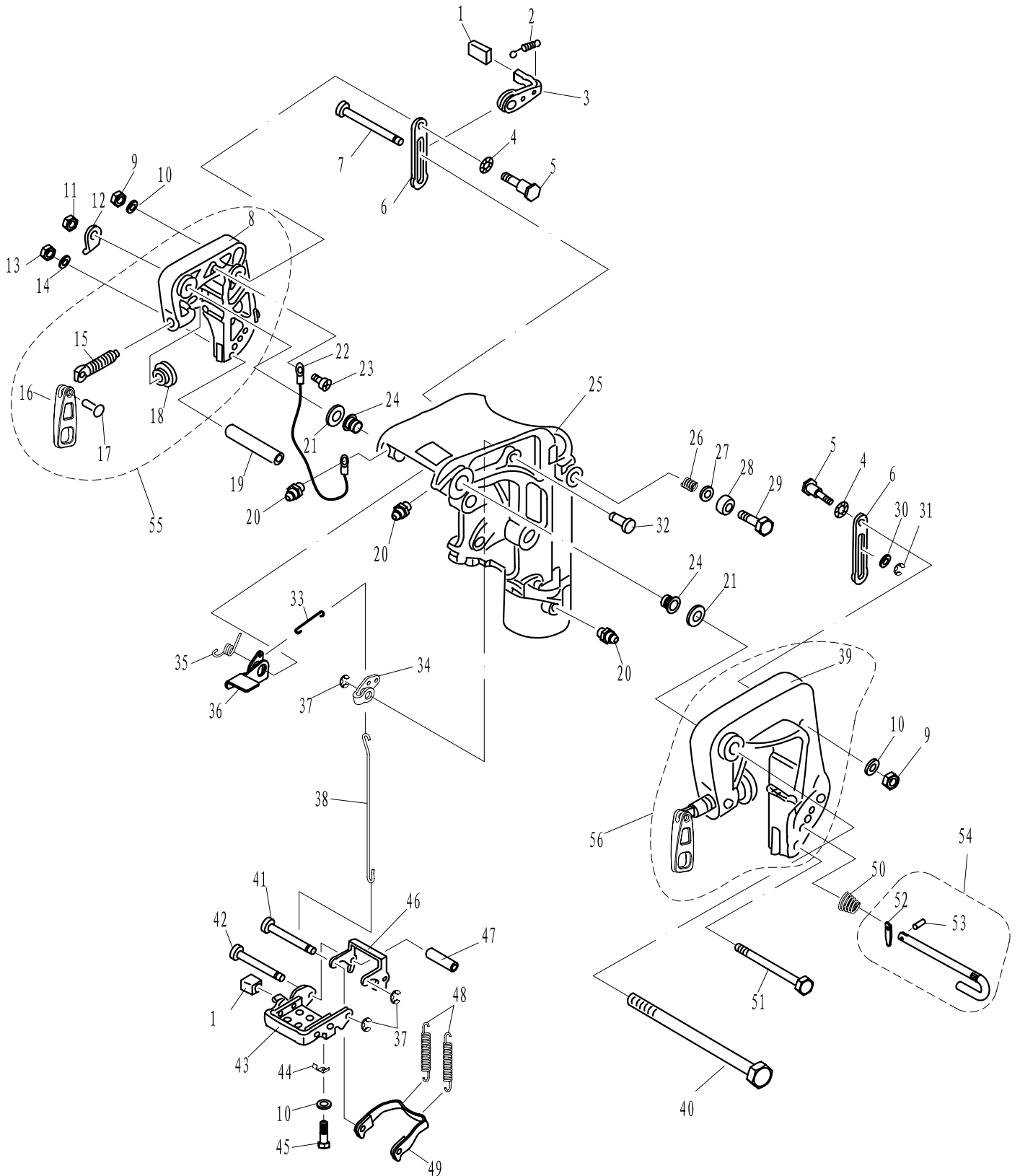
托架 1	1 ~ 3
BRACKET 1	1 ~ 3
托架 2	4 ~ 5
BRACKET 2	4 ~ 5
操舵系统	6 ~ 7
STEERING	6 ~ 7
水上装置壳体	8 ~ 9
UPPER CASING	8 ~ 9
底罩	10
BOTTOM COWLING	10
控制系统	11 ~ 12
CONTROL SYSTEM	11 ~ 12
水下装置壳体&驱动系统 1	13 ~ 15
LOWER CASING & DRIVE 1	13 ~ 15
水下装置壳体&驱动系统 2	16
LOWER CASING & DRIVE 2	16
电气 1	17
ELECTRICAL 1	17
进气系统	18
INTAKE	18
气缸&曲轴箱	19 ~ 20
CYLINDER & CRANKCASE	19 ~ 20
曲轴&活塞	21 ~ 22
CRANKSHAFT & PISTON	21 ~ 22
燃油系统	23 ~ 24
FUEL	23 ~ 24
启动器	25 ~ 26
STARTER	25 ~ 26
电气 2	27
ELECTRICAL 2	27
顶罩组件	28 ~ 29
TOP COWLING ASSY	28 ~ 29
化油器组件	30 ~ 32
CARBURETOR ASSY	30 ~ 32
油箱	33
FUEL TANK	33
附录1(修理件)	34
APPENDIX 1 (REPAIR KIT)	34
附录2(修理件)	35 ~ 36
APPENDIX 2 (REPAIR KIT)	35 ~ 36
零件目录检索表	37 ~ 38
PARTS CATALOGUE INDEX	37 ~ 38

零部件名称:

托架 1

PARTS NAME:

BRACKET I



零部件名称:

托架 1

PARTS NAME:

BRACKET I

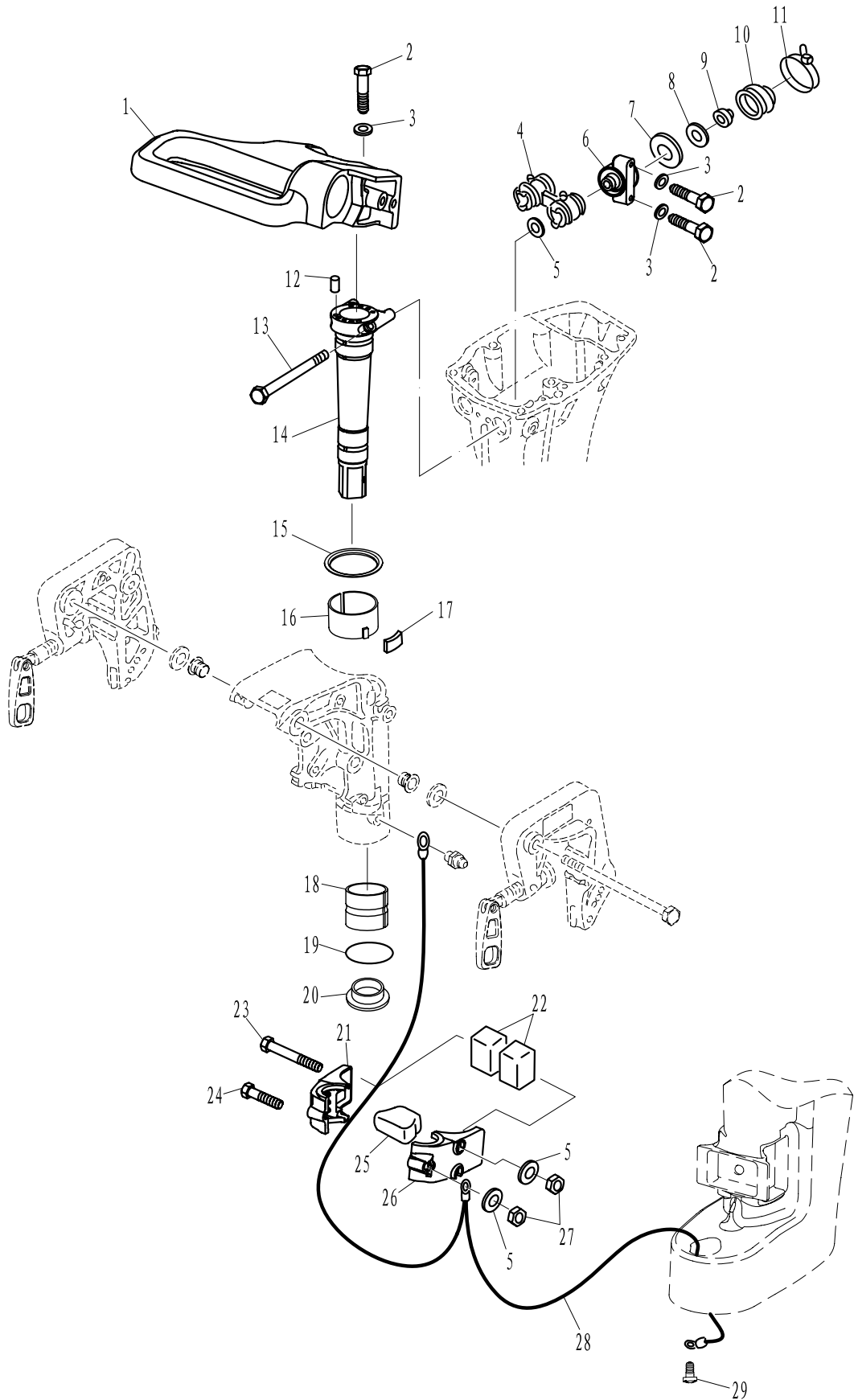
SN. 参照号码	PART NO. 零件编号	DESCRIPTION 零件名称(中文)	DESCRIPTION 零件名称(英文)	QTY 数量					REMARKS 备注
1	F15-01010305-3	手柄护套	JACKET, LOCKED HANDLE	2					
2	TE15-01010317	锁紧手柄拉簧	TENSION SPRING	1					
3	TE15-01010315	角度锁紧手柄组件	LOCKED HANDLE ASSY	1					
4	F15-01010104	波形垫圈	WASHER, WAVE	2					
5	TE15-01010004	扁六角轴位螺钉	SCREW, PROLATE HEXAGON	2					
6	TE15-01010314	倾斜制动板	PLATE, TILT STOPPER	2					
7	TE15-01010316	锁紧手柄销轴	SHAFT, LOCKED HANDLE	1					
8	TE15-01010201	右夹紧托架	BRACKET, RIGHT	1					
9	GB/T6184-M6	金属嵌件六角锁紧螺母M6	LOCKING NUT M6	2					
10	GB/T97.1-6	平垫圈6	WASHER 6	3					
11	GB/T879.1-M12x1.25	非金属嵌件六角锁紧螺母M12x1.25	LOCKING NUT M12x1.25	1					
12	TE15-01010007	双孔固定板	PLATE	1					
13	GB/T6170-M6	六角螺母M6	NUT M6	1					
14	GB/T848-6	小垫圈6	WASHER 6	1					
15	F15-01010102	舰板夹紧螺杆	CLAMP SCREW	2					
16	F25-01010102	舰板夹紧手柄	CLAMP SHIPBOARD HANDLE	2					
17	F4-01010005	舰板夹紧手柄铆钉	RIVET, CLAMP HANDLE	2					
18	F4-01010003	舰板夹紧圆盘	CLAMP PLATE	2					
19	F15-01010006	螺栓套管	TUBE, BOLT	1					
20	JB/T9740.1-M6	直通式压注油杯M6	OILER CUP M6	3					
21	TE15-01010003	大垫圈	BIG WASHER	2					
22	T85-01010003	接地钢索A	TIGHTWIRE, EARTHING	1					
23	GB/T823-M6x8	十字槽小盘头螺钉M6x8	SCREW, PAN HEAD M6x8	1					
24	TE15-01010001	螺栓衬套	BOLT BUSHING	2					
25	TE15-01010301	旋转支架	ROTARY BRACKET	1					
26	T36-01010325	锁紧弹簧	LOCKING SPRING	1					
27	GB/T97.1-8	平垫圈8	WASHER 8	1					
28	T36-01010326	锁紧护套	JACKET	1					
29	GB/T5783-M8x25	六角螺栓M8x25	BOLT M8x25	1					
30	TE15-01010318	锁紧手柄衬圈	WASHER, LOCKED HANDLE	1					
31	GB/T896-9	开口挡圈9	CIRCLIP 9	1					
32	TE15-01010304	拉杆支架销轴	SHAFT, PULL ROD	1					
33	TE15-01010303	拉杆拉簧	PULL ROD, INNER FRAME	1					
34	TE15-01010302	拉杆支架	BRACKET, PULL ROD	1					
35	TE15-01010006	起翘限位手柄扭簧	TORSION SPRING	1					
36	TE15-01010005	起翘限位手柄	HANDLE, LIMITATIVE ASSY	1					
37	GB/T896-5	开口挡圈5	CIRCLIP 5	3					
38	TE15-01010305	锁紧手柄内架拉杆	ROD, LOCKED HANDLE	1					
39	TE15-01010101	左夹紧托架	BRACKET, LEFT	1					
40	TE15-01010002	长螺栓	LONG BOLT	1					
41	TE15-01010309	内架销轴	SHAFT, INNER FRAME	1					
42	TE15-01010311	外架销轴	SHAFT, OUTER FRAME	1					
43	TE15-01010312	支撑架组件	SUPPORT ASSY	1					

零部件名称:

托架 2

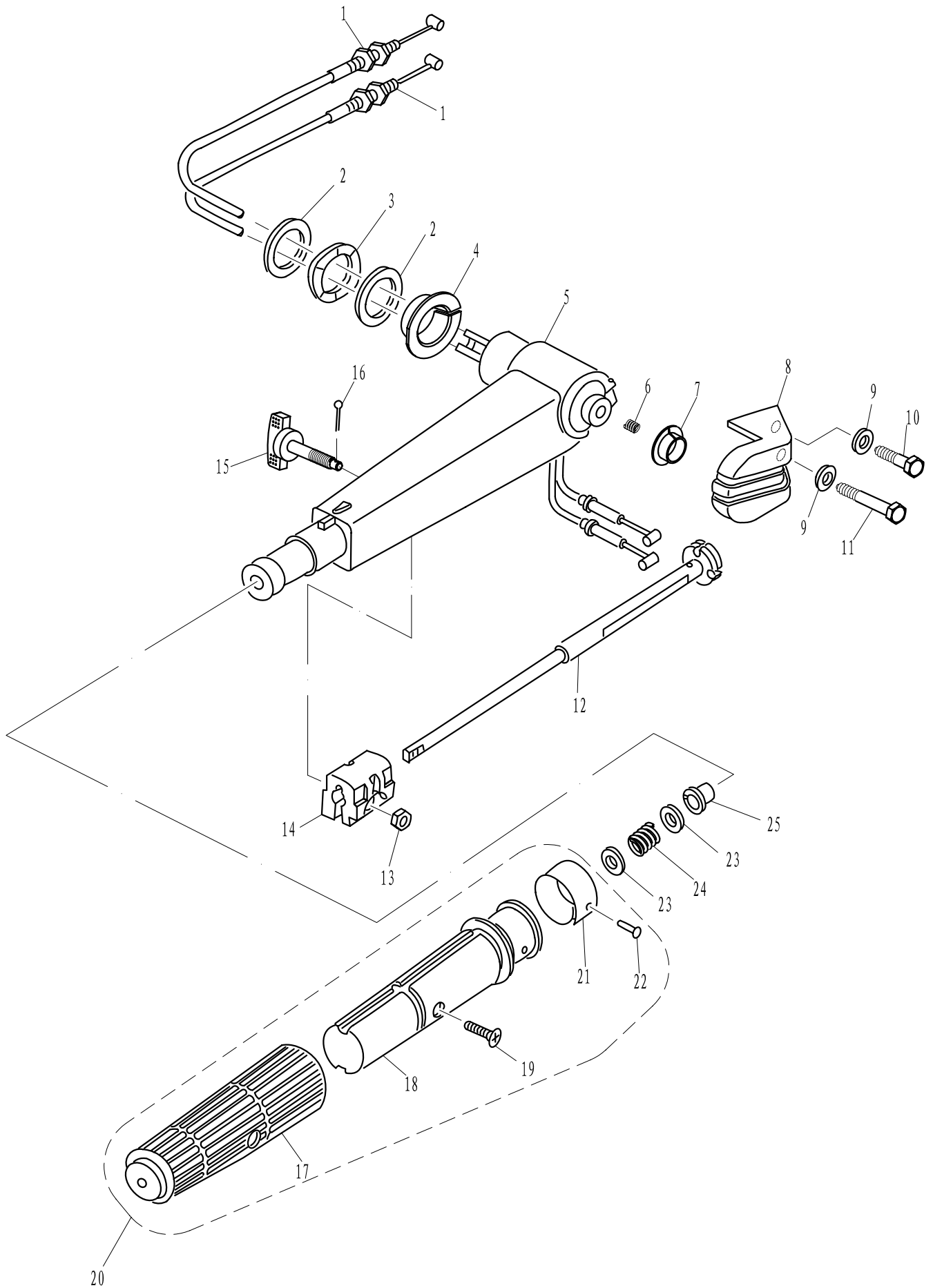
PARTS NAME:

BRACKET II



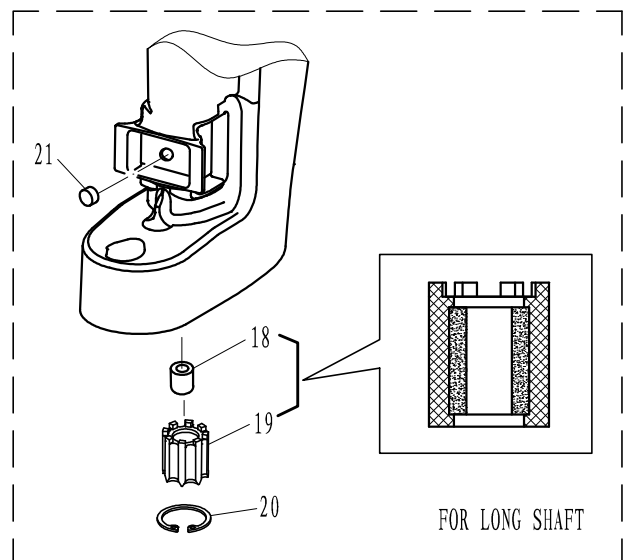
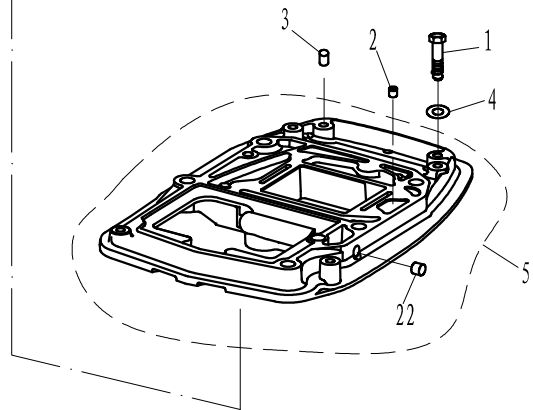
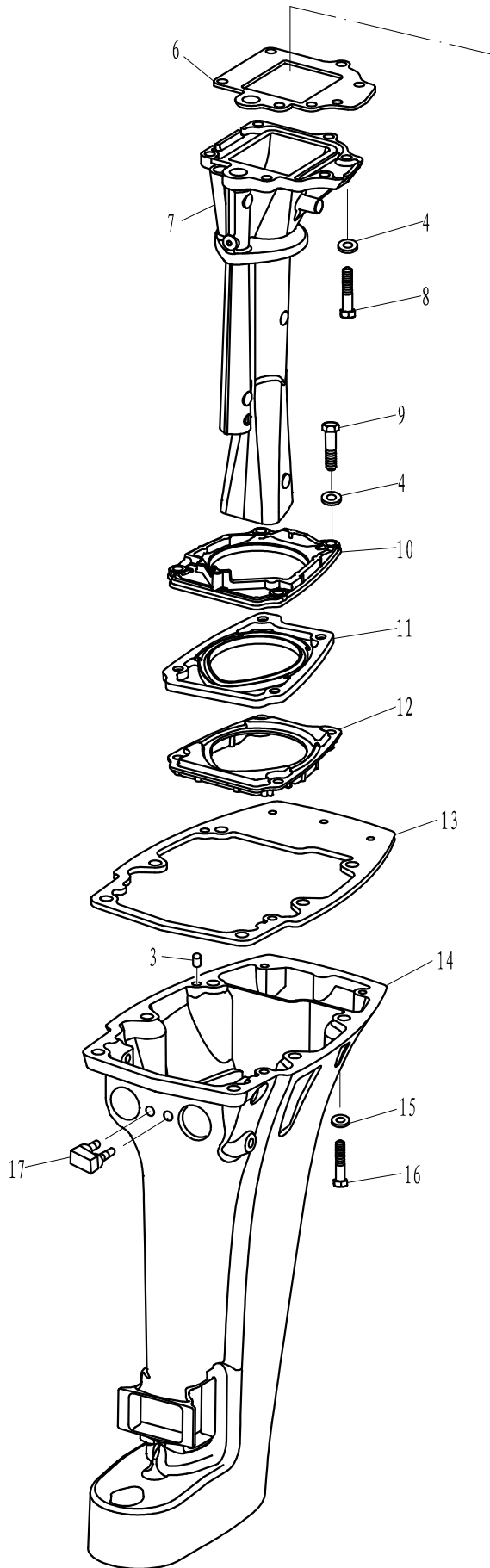
零部件名称: 操舵系统

PARTS NAME: STEERING



零部件名称: 水上装置壳体

PARTS NAME: UPPER CASING

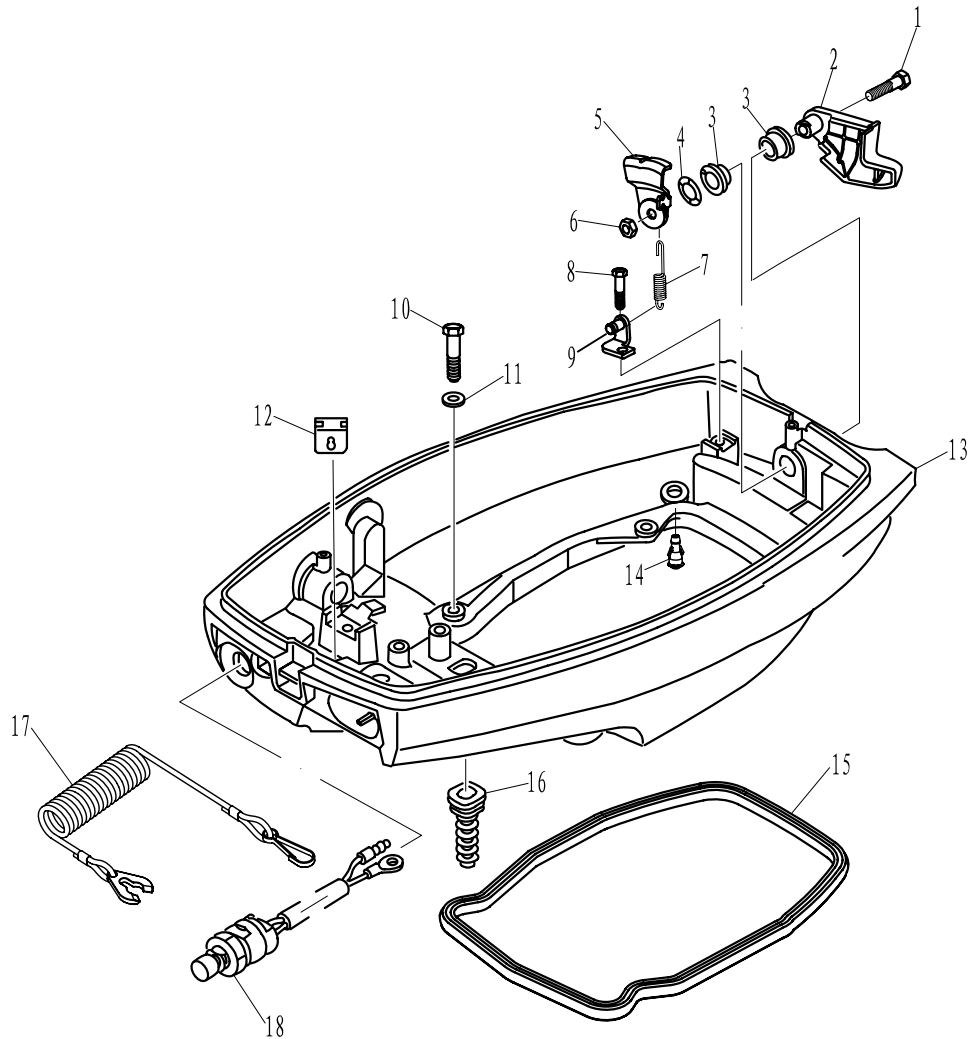


零部件名称:

底罩

PARTS NAME:

BOTTOM COWLING



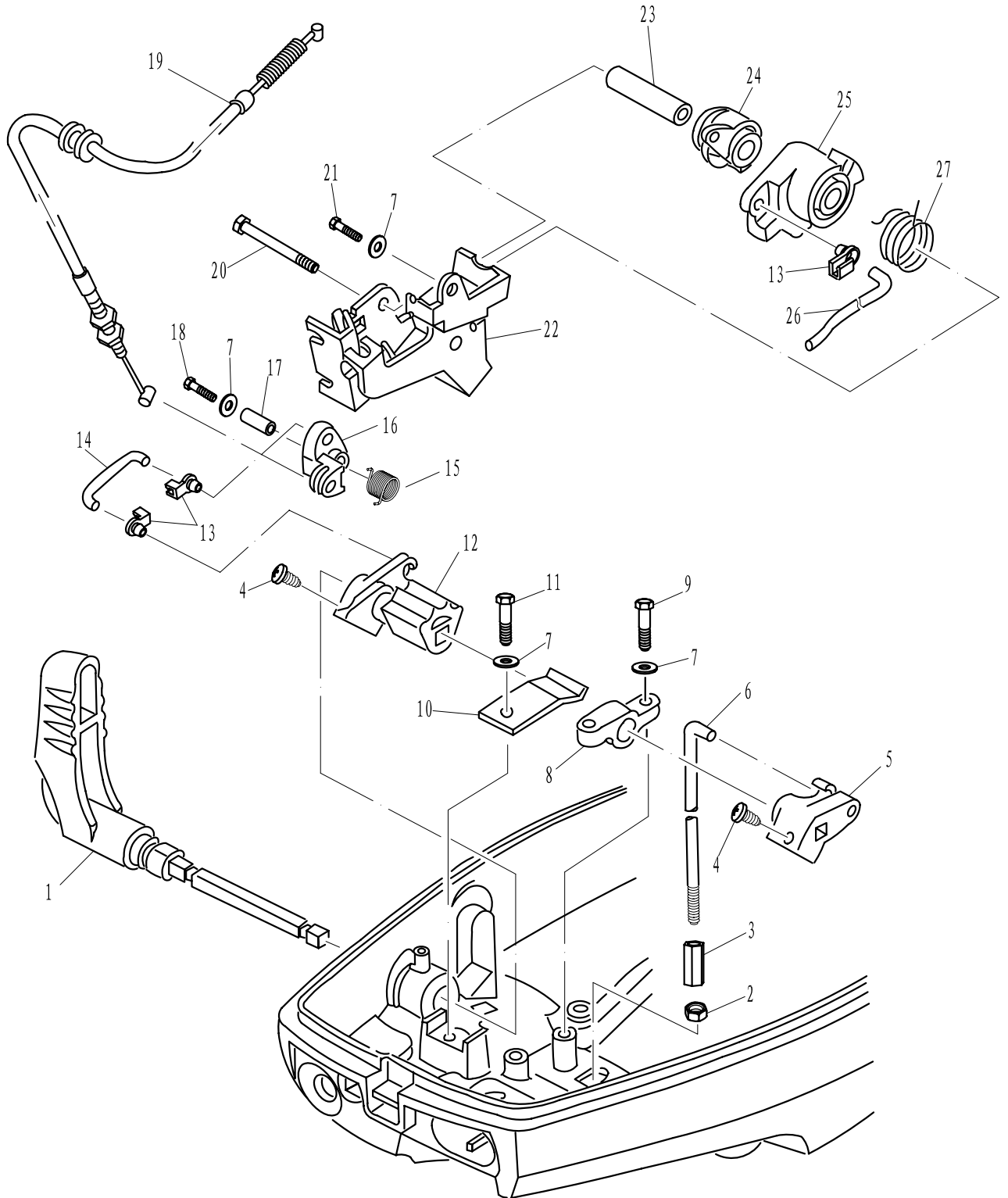
SN. 参照号码	PART NO. 零件编号	DESCRIPTION 零件名称(中文)	DESCRIPTION 零件名称(英文)	QTY 数量				REMARKS 备注
1	GB/T5783-M6x25	六角螺栓M6x25	BOLT M6x25	1				
2	TE15-03000010	顶罩锁紧手柄	LOCKING HANDLE, TOP COWLING	1				
3	F15-05000022	顶罩锁紧手柄尼龙衬套	BUSH	2				
4	F15-05000023	波形垫圈	WASHER, WAVE	1				
5	TE15-03000011	顶罩锁紧块组件	LOCKING HOOK ASSY, TOP COWLING	1				
6	GB/T6170-M6	六角螺母M6	NUT M6	1				
7	TE15-03000012	锁紧块拉簧	SPRING, LOCKING HOOK	1				
8	GB/T5783-M6x16	六角螺栓M6x16	BOLT M6x16	1				
9	F25-03000019	拉簧支架组件	BRACKET ASSY, TENSIONAL SPRING	1				
10	GB/T5783-M6x16	六角螺栓M6x16	BOLT M6x16	4				
11	GB/T97.1-6	平垫圈6	WASHER 6	1				
12	T20-04000008	油门钢索护套	JACKET, CABLE	1				
13	TE15-03000001	底罩	BOTTOM COWLING	1				
14	F15-05000009	塑料出水嘴	WATER NIPPLE, PLASTIC	1				
15	TE15-00000004	底罩密封圈	SEAL, BUTTOM COWLING	1				
16	TE15-03000002	变档杆橡胶套	JACKET, GEAR SHIFT LEVER	1				
17	F4-01090401	引擎停止安全索	STOPER, HANG ROPE ASSY	1				
18	T15-01020003	急停开关组件	ENGINE STOP SWITCH ASSY	1				

零部件名称:

控制系统

PARTS NAME:

CONTROL SYSTEM

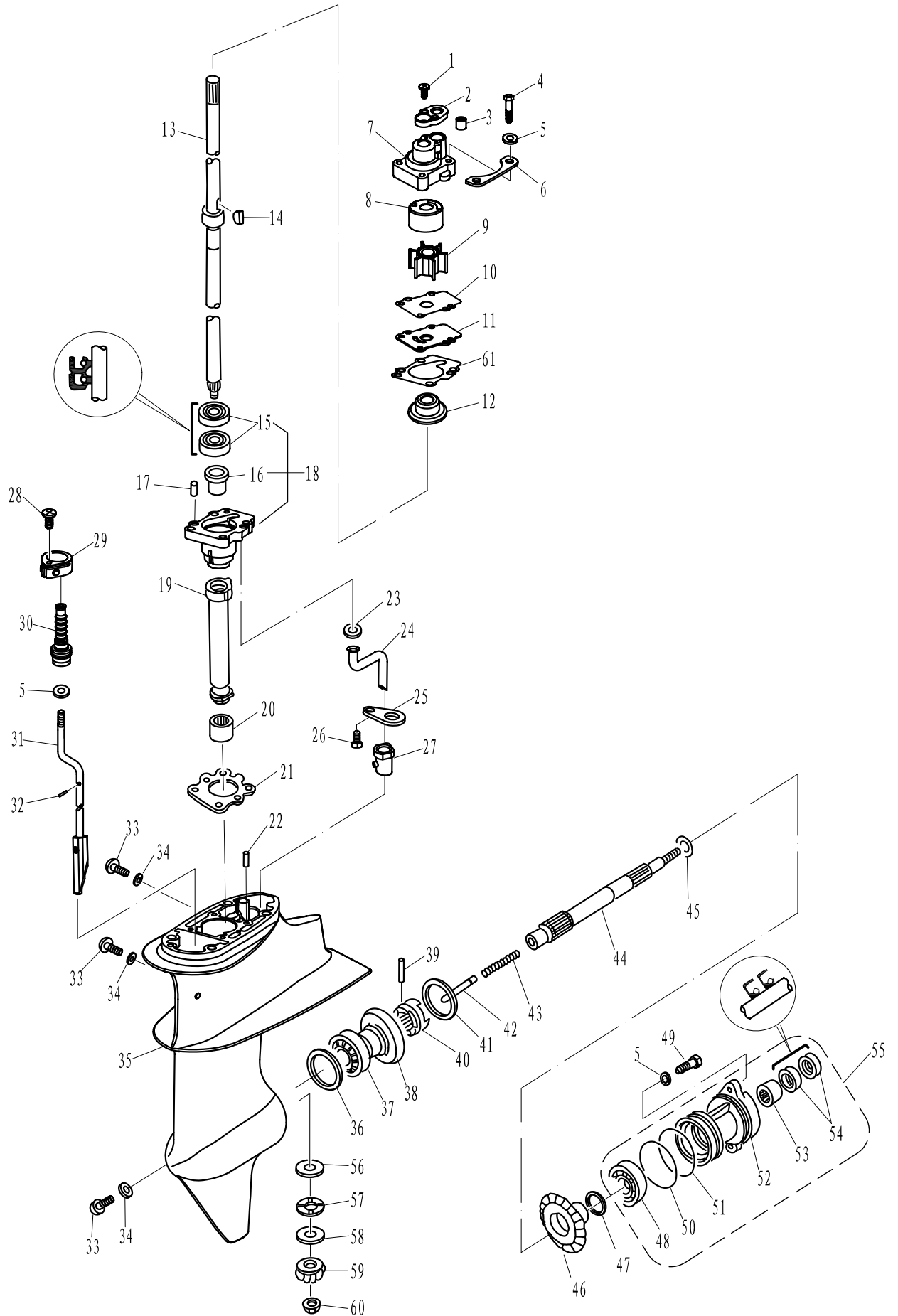


零部件名称:

水下装置壳体 & 驱动系统 1

PARTS NAME:

LOWER CASING & DRIVE I



零部件名称:

水下装置壳体 & 驱动系统 1

PARTS NAME:

LOWER CASING & DRIVE I

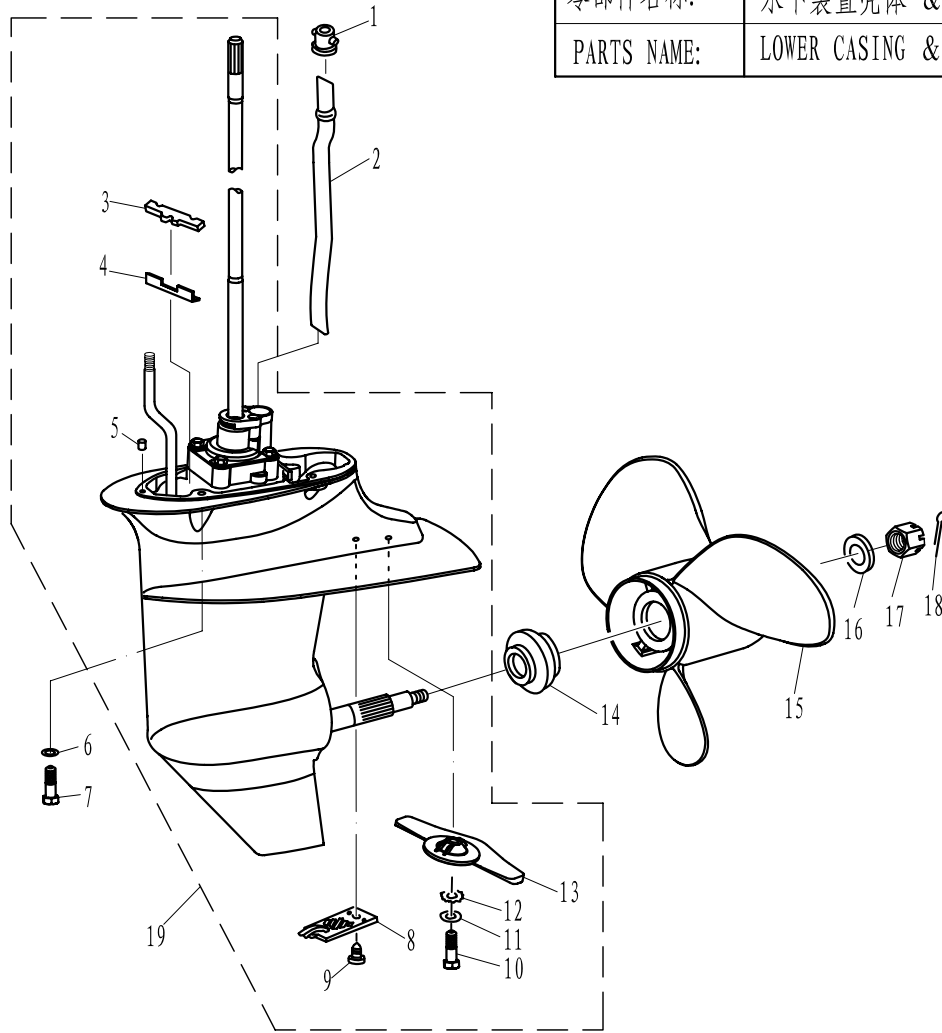
SN. 参照号码	PART NO. 零件编号	DESCRIPTION 零件名称(中文)	DESCRIPTION 零件名称(英文)	QTY 数量				REMARKS 备注
1	GB/T845-ST4. 2x12	十字槽盘头自攻螺钉ST4. 2x12	SCREW ST4. 2x12	2				
2	TE15-04000014	塑料盖板	COVER, PLASTIC	1				
3	TE15-04000013	水管下密封圈	SEAL	1				
4	GB/T5782-M6x45	六角螺栓M6x45	BOLT M6x45	4				
5	GB/T97. 1-6	平垫圈6	WASHER 6	7				
6	TE15-04000015	水泵壳压板	FIXED PLATE, WATER PUMP	2				
7	TE15-04000012	水泵壳体	WATER PUMP HOUSING	1				
8	TE15-04000011	水泵内壳	INNER SHELL, WATER PUMP	1				
9	TE15-04000200	水泵叶轮	IMPELLER	1				
10	TE15-04000007	外挡板密封垫(上)	GASKET (UPPER), WATER PUMP	1				
11	TE15-04000009	外挡板	OUTER PLATE	1				
12	TE15-04000008	油封盖板	COVER, OIL SEAL	1				
13	TE15-04000300L	驱动轴组件	DRIVE SHAFT ASSY (L)	1				L
	TE15-04000300S	驱动轴组件	DRIVE SHAFT ASSY (S)	1				S
14	F15-06000013	半圆键	WOODRUFF KEY	1				
15	F15-06020003	驱动轴油封20x30x6	OIL SEAL, DRIVE SHAFT	2				
16	F15-06020002	带档边筒形轴承	BEARING	1				
17	F15-00000006	定位销 $\phi 6 \times 12$	PIN, $\phi 6 \times 12$	2				
18	TE15-04010000	驱动轴座组件	DRIVE SHAFT SEAT ASSY	1				
19	TE15-04000002	长尼龙套管	BUSHING, NYLON	1				
20	NSK F1420	滚针轴承F1420	BEARING F1420	1				
21	TE15-04010002	驱动轴座密封垫	GASKET	1				
22	F25-04000007	定位销 $\phi 4 \times 10$	PIN, $\phi 4 \times 10$	1				
23	TE15-04010004	进水管密封圈	SEAL, WATER TUBE	1				
24	TE15-04010003	进水管B	WATER TUBE "B"	1				
25	TE15-04010005	进水管压板	PLATE, WATER TUBE	1				
26	GB/T5783-M6x10	六角螺栓M6x10	BOLT M6x10	1				
27	TE15-04000003	水管橡胶圈	WATER SEAL	1				
28	GB/T845-ST4. 8x10	十字槽盘头自攻螺钉ST4. 8x10	SCREW ST4. 8x10	1				
29	TE15-04000006	塑料压板	BRACKET, PLASTIC	1				
30	TE15-04000004	波纹橡胶套	SHEATH, WAVE	1				
31	TE15-04000100L	变档凸轮轴组件	SHIFT ROD ASSY (L)	1				L
	TE15-04000100S	变档凸轮轴组件	SHIFT ROD ASSY (S)	1				S
32	GB/T897. 2- $\phi 2.5 \times 10$	轻型直槽弹性圆柱销 $\phi 2.5 \times 10$	PIN $\phi 2.5 \times 10$	1				
33	F4-03000023	注油孔油塞	PLUG, HOLE OIL	3				
34	F4-03000024	注油孔油塞密封垫	GASKET	3				
35	TE15-04000001	水下装置壳体	LOWER CASING	1				
36	F15-06000010-1	正档齿轮填隙片(t: 0.10mm)	SHIM (t: 0.10mm)	1				
	F15-06000010-2	正档齿轮填隙片(t: 0.12mm)	SHIM (t: 0.12mm)					
	F15-06000010-3	正档齿轮填隙片(t: 0.15mm)	SHIM (t: 0.15mm)					
	F15-06000010-4	正档齿轮填隙片(t: 0.18mm)	SHIM (t: 0.18mm)					
	F15-06000010-5	正档齿轮填隙片(t: 0.30mm)	SHIM (t: 0.30mm)					
	F15-06000010-6	正档齿轮填隙片(t: 0.40mm)	SHIM (t: 0.40mm)					

零部件名称:

水下装置壳体 & 驱动系统 2

PARTS NAME:

LOWER CASING & DRIVE II



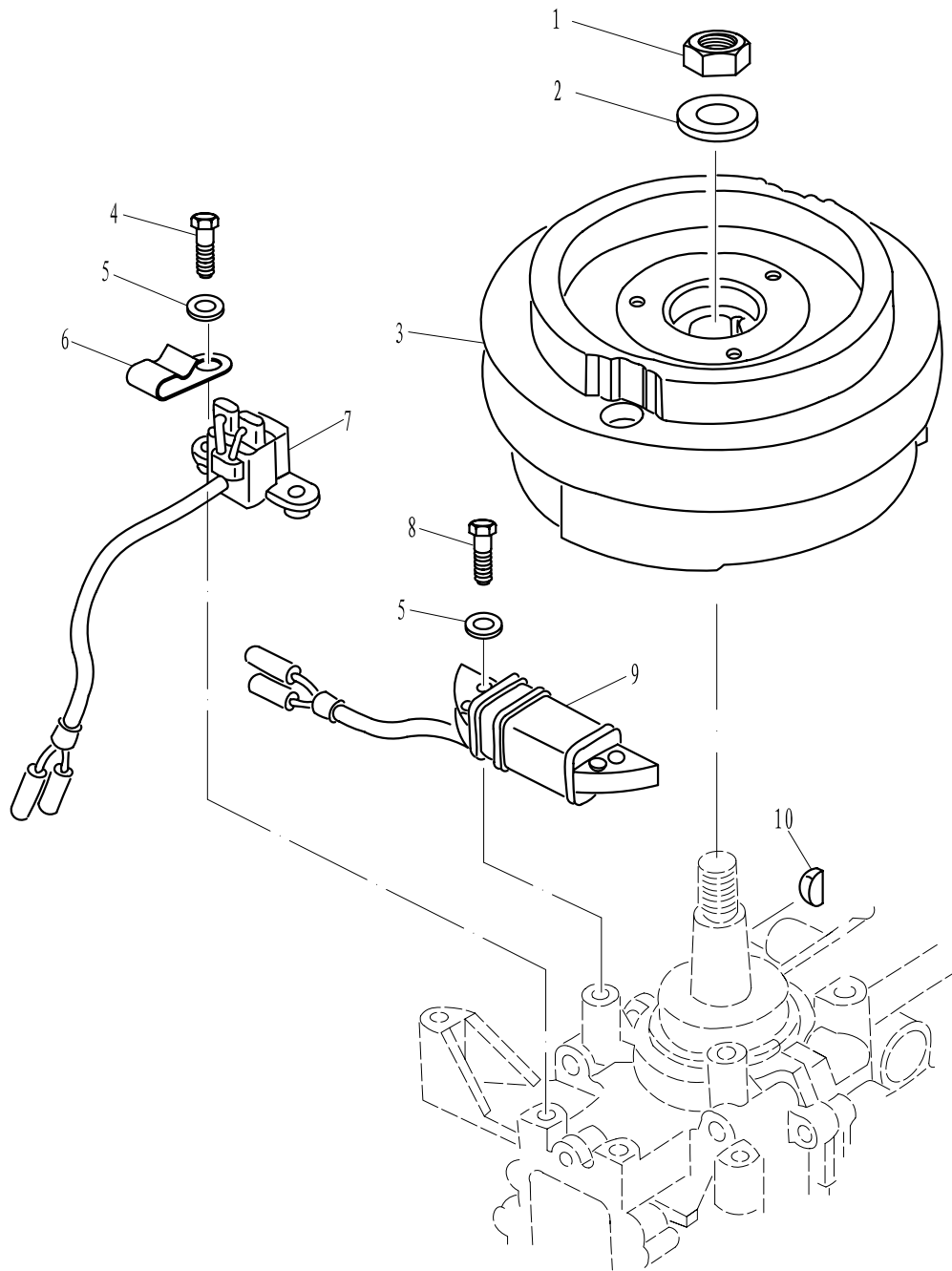
SN. 参照号码	PART NO. 零件编号	DESCRIPTION 零件名称(中文)	DESCRIPTION 零件名称(英文)	QTY 数量				REMARKS 备注
1	TE15-02000013	水管导向套	RUBBER SEAL, WATER TUBE	1				
2	TE15-02000014L	进水管	WATER TUBE (L)	1				L
	TE15-02000014S	进水管	WATER TUBE (S)	1				S
3	TE15-04000016	水封	WATER INVELOP	1				
4	TE15-04000017	水封垫板	PLATE, SEAL	1				
5	F15-00000006	定位销 $\phi 6 \times 12$	PIN $\phi 6 \times 12$	2				
6	GB/T97.1-8	平垫圈8	WASHER 8	4				
7	GB/T5783-M8X35	六角螺栓M8X35	BOLT M8X35	4				
8	TE15-04000022	进水口	WATER INLET	1				
9	GB/T818-M5X12	十字盘头螺钉M5X12	SCREW M5X12	1				
10	GB/T5783-M6X20	六角螺栓M6X20	BOLT M6X20	1				
11	GB/T97.1-6	平垫圈6	WASHER 6	1				
12	GB/T861.1-6	内齿锁紧垫圈6	WASHER, LOCKING 6	1				
13	TE15-04000021	水下阳极	ANODE	1				
14	F15-06000015	螺旋桨垫块	CUSHION, PROPELLER	1				
15	TE15-04020000	螺旋桨体组件	PROPELLER ASSY	1				
16	GB/T96-10	大垫圈 10	BIG WASHER 10	1				
17	F15-06000016	开槽六角螺母	NUT, HEXAGON	1				
18	GB/T91-2.5X20	开口销 $\phi 2.5 \times 20$	COTTER PIN $\phi 2.5 \times 20$	1				
19	TE15-04000000L	水下装置组件(L)	LOWER CASING ASSY(L)	1				L
	TE15-04000000S	水下装置组件(S)	LOWER CASING ASSY(S)	1				S

零部件名称:

电气 1

PARTS NAME:

ELECTRICAL 1



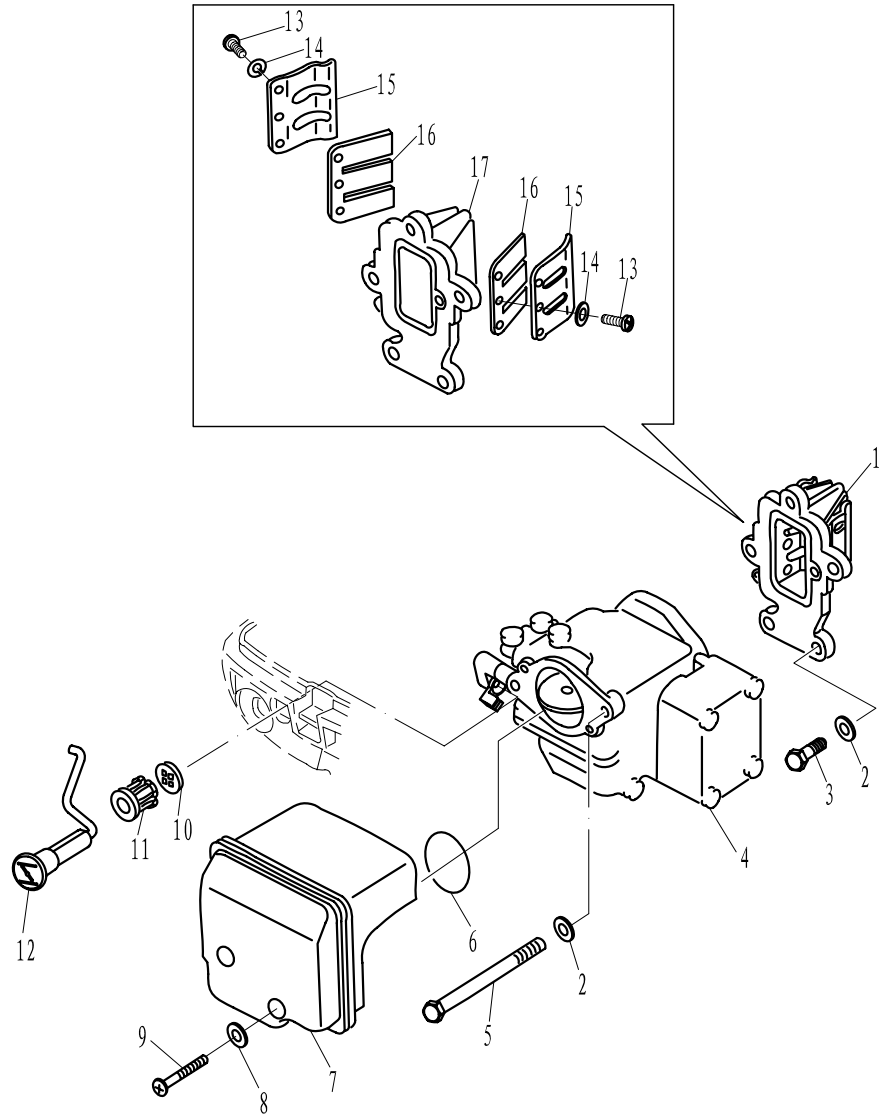
SN. 参照号码	PART NO. 零件编号	DESCRIPTION 零件名称(中文)	DESCRIPTION 零件名称(英文)	QTY 数量					REMARKS 备注
1	T15-0400012	飞轮螺母	NUT, FLYWHELL	1					
2	T15-0400011	飞轮螺母垫圈	WASHER, FLYWHELL	1					
3	TE15-05000700	飞轮组件	FLYWHELL ASSY	1					
4	GB/T5783-M6x14	六角螺栓M6x14	BOLT M6x14	2					
5	GB/T97.1-6	平垫圈6	WASHER 6	4					
6	T85-01030006	线卡A	CLIP"A"	1					
7	TE15-05000100	触发线圈组件	PULSER COIL ASSY	1					
8	GB/T5783-M6x20	六角螺栓M6x20	BOLT M6x20	2					
9	TE15-05000200	磁电机线圈组件	COIL, CHARGE	1					
10	F15-07000004	飞轮半圆键	SEMICIRCULAR KEY, FLYWHELL	1					

零部件名称:

进气系统

PARTS NAME:

INTAKE



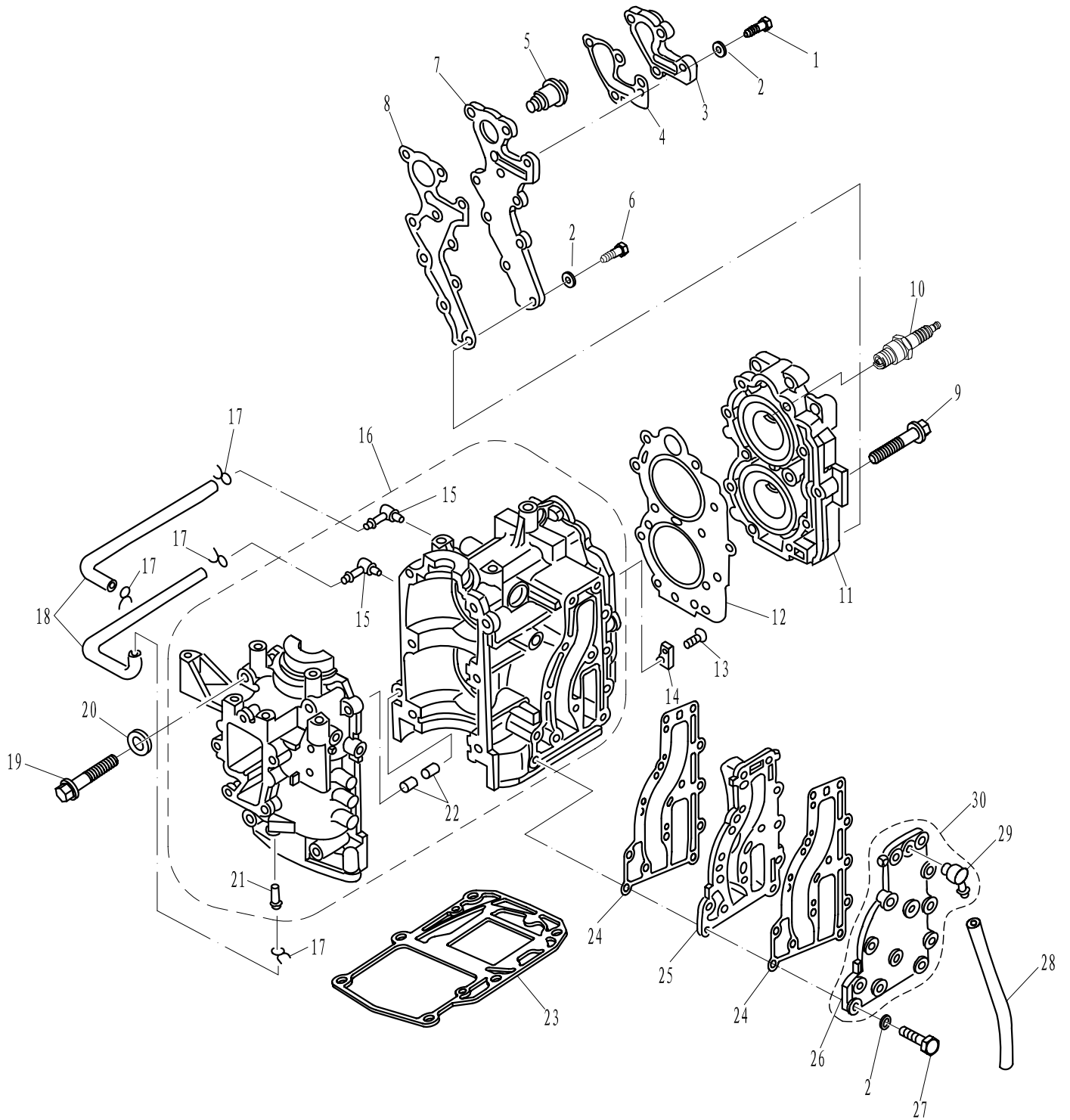
SN. 参照号码	PART NO. 零件编号	DESCRIPTION 零件名称(中文)	DESCRIPTION 零件名称(英文)	QTY 数量					REMARKS 备注
1	T15-04050000	进气阀座组件	INTAKE VALVE RETAINER ASSY	1					
2	GB/T97.1-6	平垫圈6	WASHER 6	5					
3	GB/T5783-M6x20	六角螺栓M6x20	BOLT M6x20	3					
4	TE15-05010000	化油器组件	CARBURETOR ASSY	1					
5	GB/T5782-M6x100	六角螺栓M6x100	BOLT M6x100	2					
6	JASO F404 19-035	O形圈 $\phi 35.2 \times 1.9$	O-RING $\phi 35.2 \times 1.9$	1					
7	TE15-05000500	进气消音器组件	SILENCER ASSY, INTAKE	1					
8	GB/T97.1-5	平垫圈5	WASHER 5	2					
9	GB/T818-M5x30	十字槽盘头螺钉M5x30	SCREW M5x30	2					
10	TE15-03000015	导向套橡胶套	RUBBER SHEATH	1					
11	TE15-03000014	阻风门导向套	ORIENTED BUSH, AIR CHOKE	1					
12	TE15-03000013	阻风门手柄	HANDLE, AIR CHOKE	1					
13	GB/T823-M3x6	十字槽小盘头螺钉M3x6	SCREW M3x6	6					
14	GB/T93-3	弹簧垫圈3	SPRING WASHER 3	6					
15	T15-04050002	进气阀片限位板	LIMITATIVE PLATE, VALVE	2					
16	T15-04050001	进气阀片	PLATE, INTAKE VALVE	1					
17	T15-04050100	带密封环的进气阀座	RETAINER, INTAKE VALVE	1					

零部件名称:

气缸 & 曲轴箱

PARTS NAME:

CYLINDER & CRANKCASE

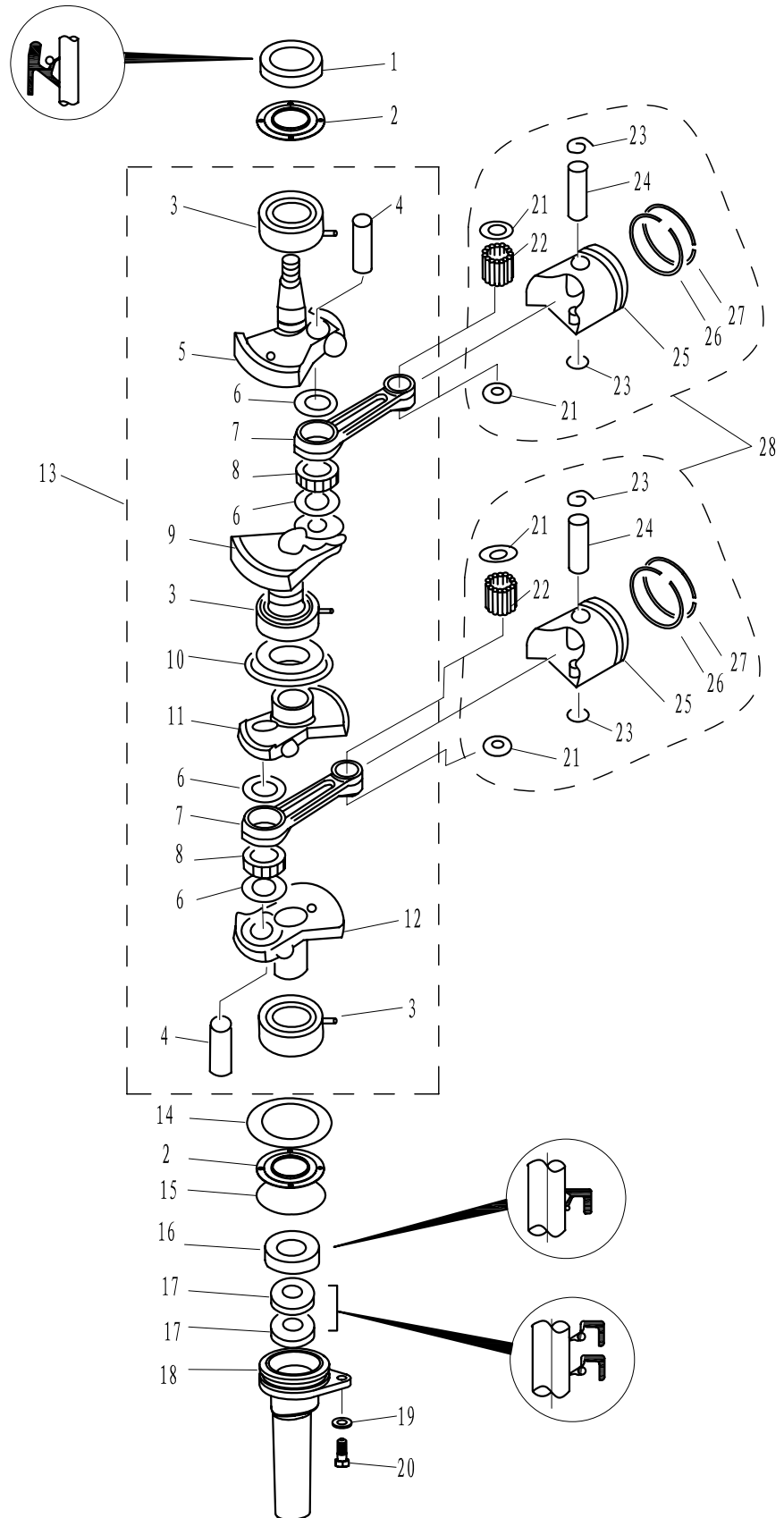


零部件名称:

曲轴&活塞

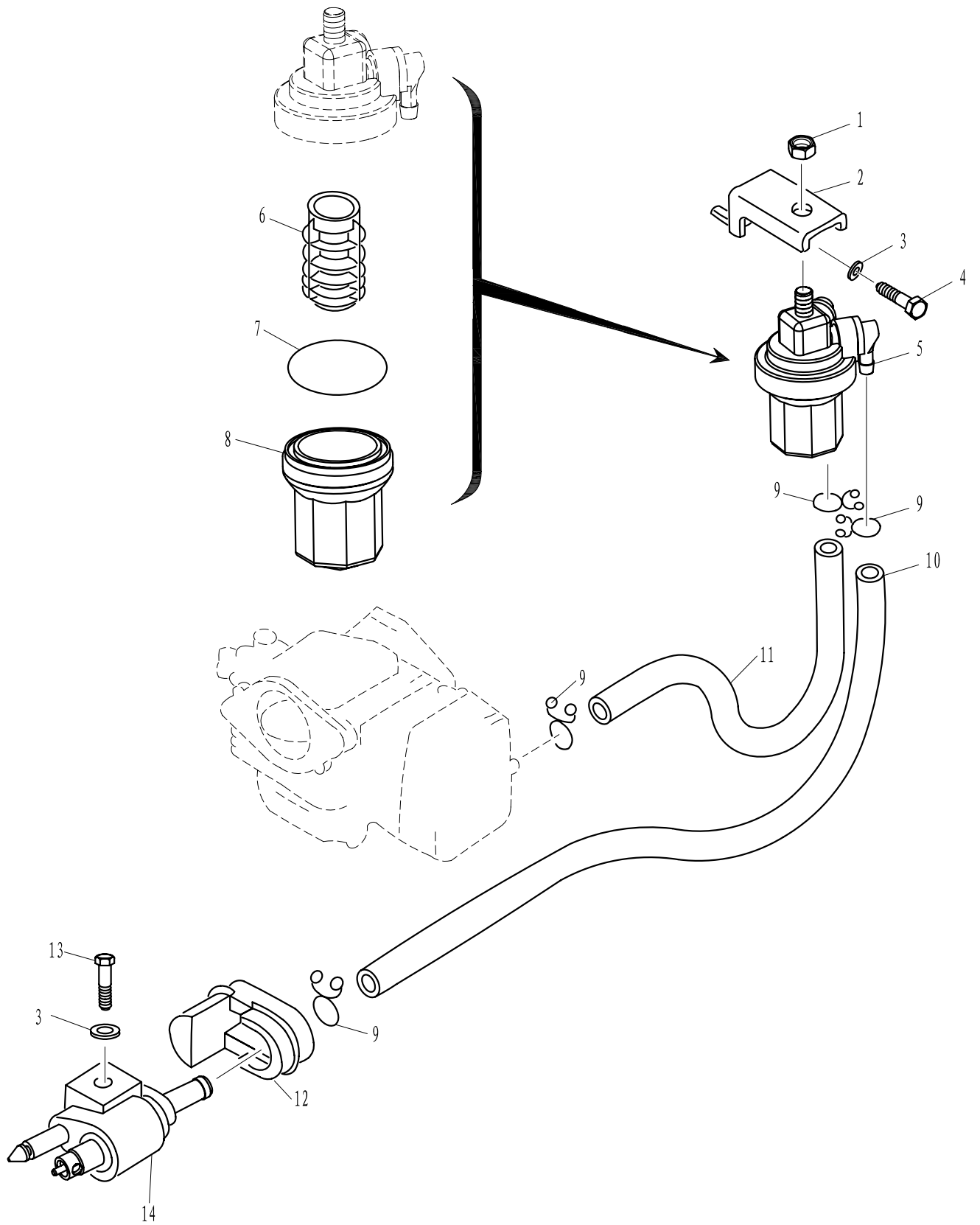
PARTS NAME:

CRANKSHAFT & PISTON



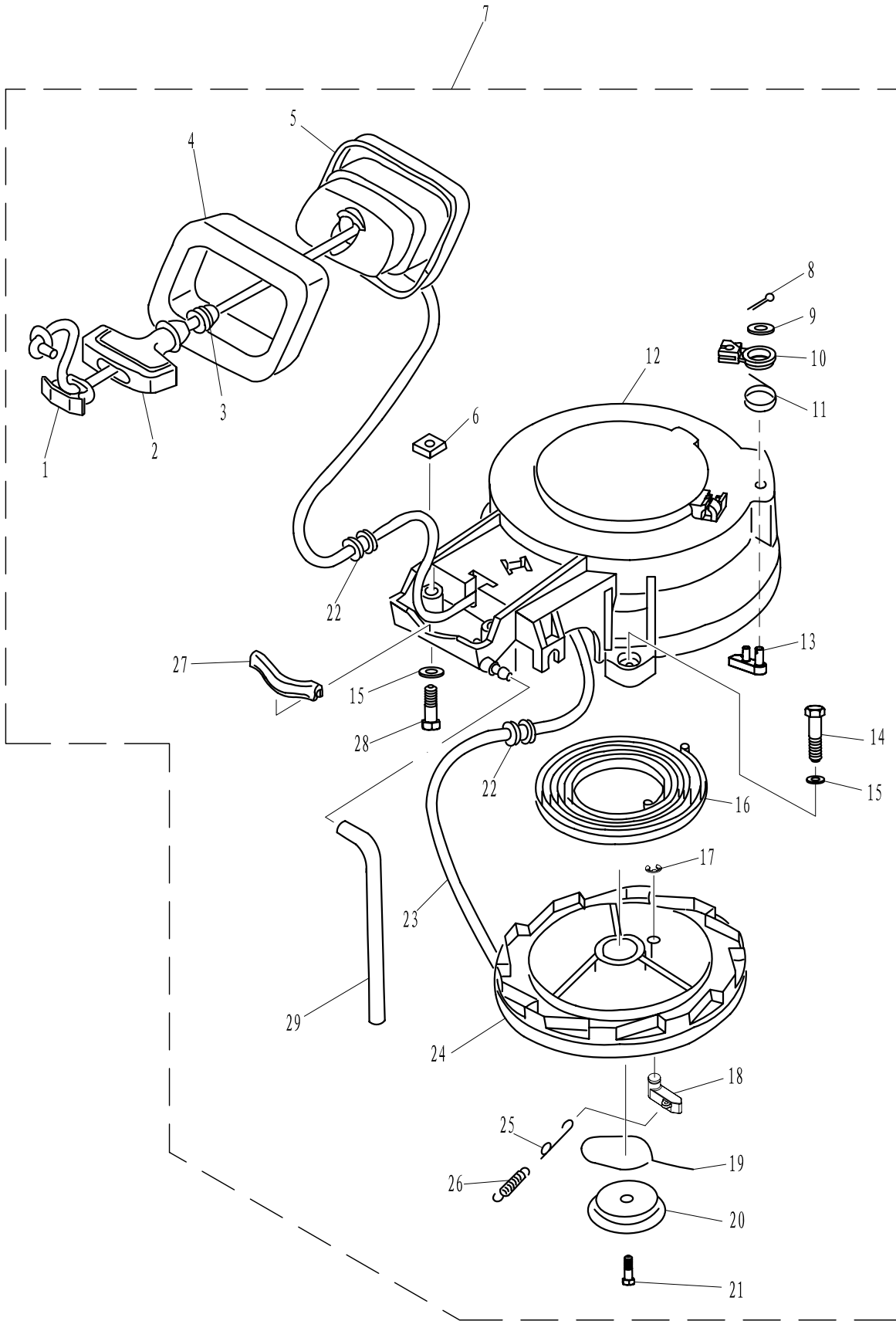
零部件名称: 燃油系统

PARTS NAME: FUEL



零部件名称: 启动器

PARTS NAME: STARTER

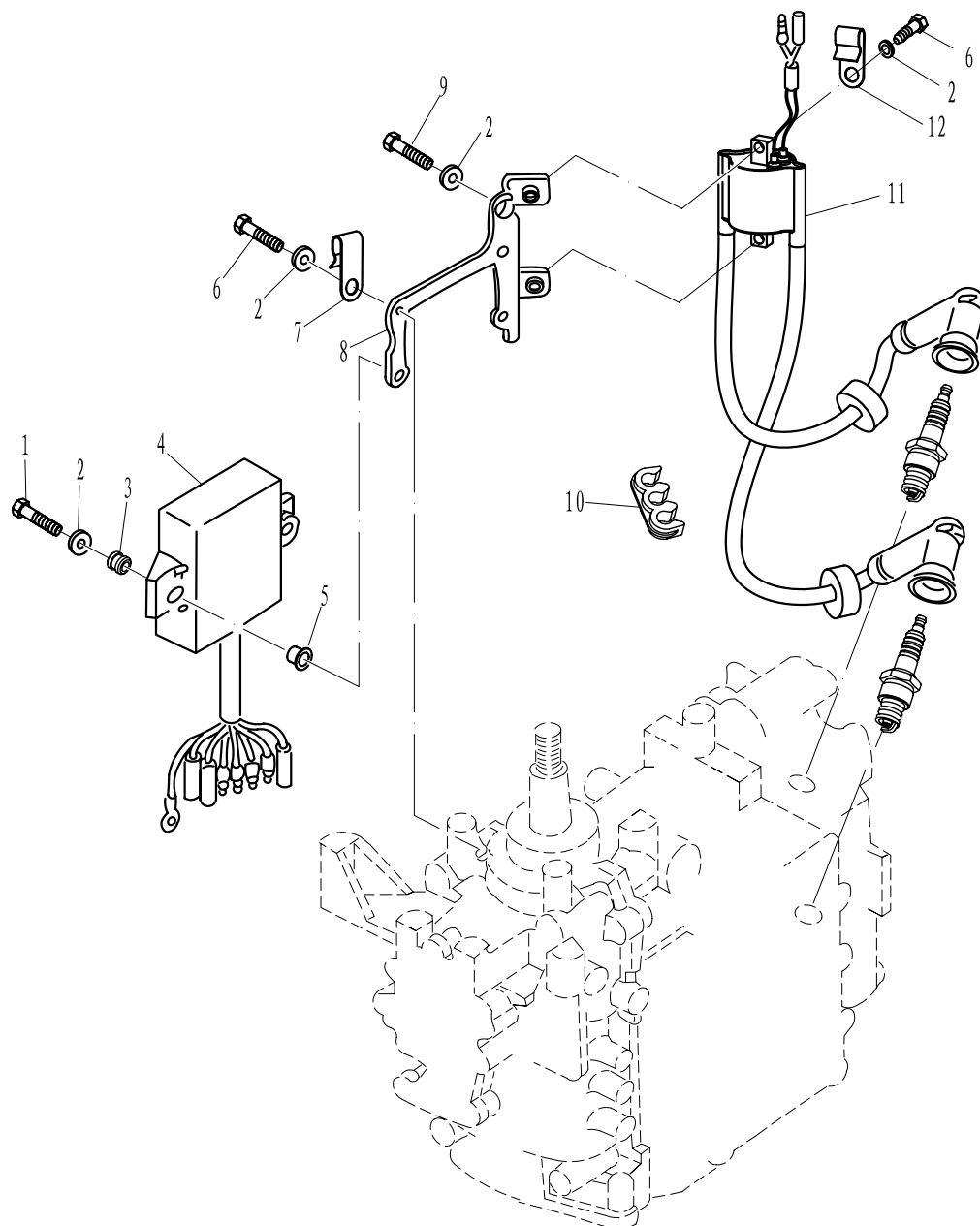


零部件名称:

电气 2

PARTS NAME:

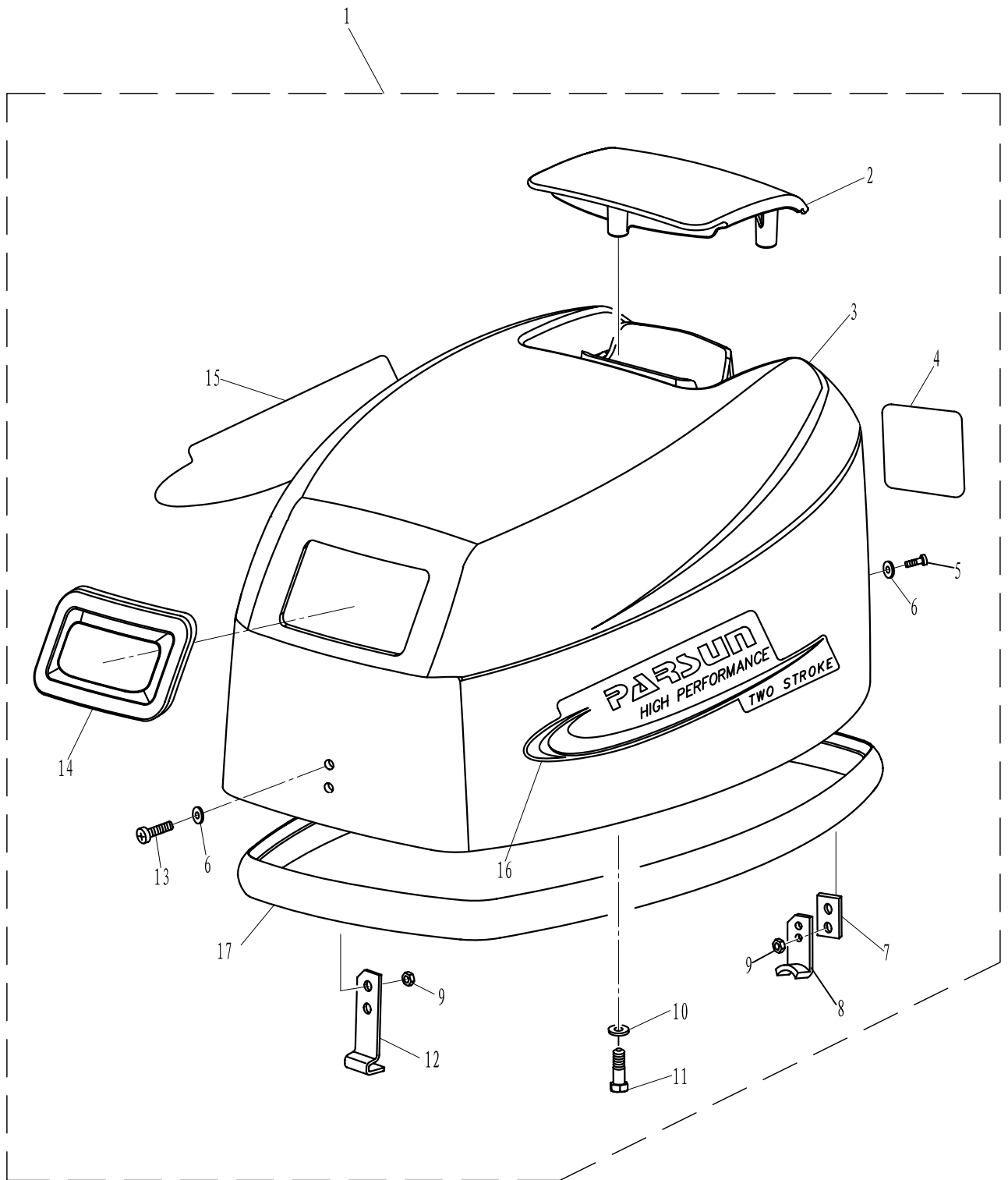
ELECTRICAL 2



SN. 参照号码	PART NO. 零件编号	DESCRIPTION 零件名称(中文)	DESCRIPTION 零件名称(英文)	QTY 数量				REMARKS 备注
1	GB/T5783-M6x30	六角螺栓M6x30	BOLT M6x30	2				
2	GB/97.1-6	平垫圈6	WASHER 6	7				
3	F4-04120002	油箱减震器	DAMPER	2				
4	TE15-05000300	点火模块组件	C. D. I. UNIT ASSY	1				
5	F4-04120003	减震器垫管	BUSH, DAMPER	2				
6	GB/T5783-M6x16	六角螺栓M6x16	BOLT M6x16	4				
7	T36-04000023	线卡B	CLAMP "B"	1				
8	TE15-05000006	高压包支架	BRACKET, IGNITION COIL	1				
9	GB/T5783-M6x10	六角螺栓M6x10	BOLT M6x10	1				
10	F25-05000016	尼龙管夹	CLAMP	1				
11	TE15-05000400	高压包组件	IGNITION COIL ASSY	1				
12	T85-01030006	导线线卡A	CLAMP "A"	1				

零部件名称: 顶罩组件

PARTS NAME: TOP COWLING ASSY

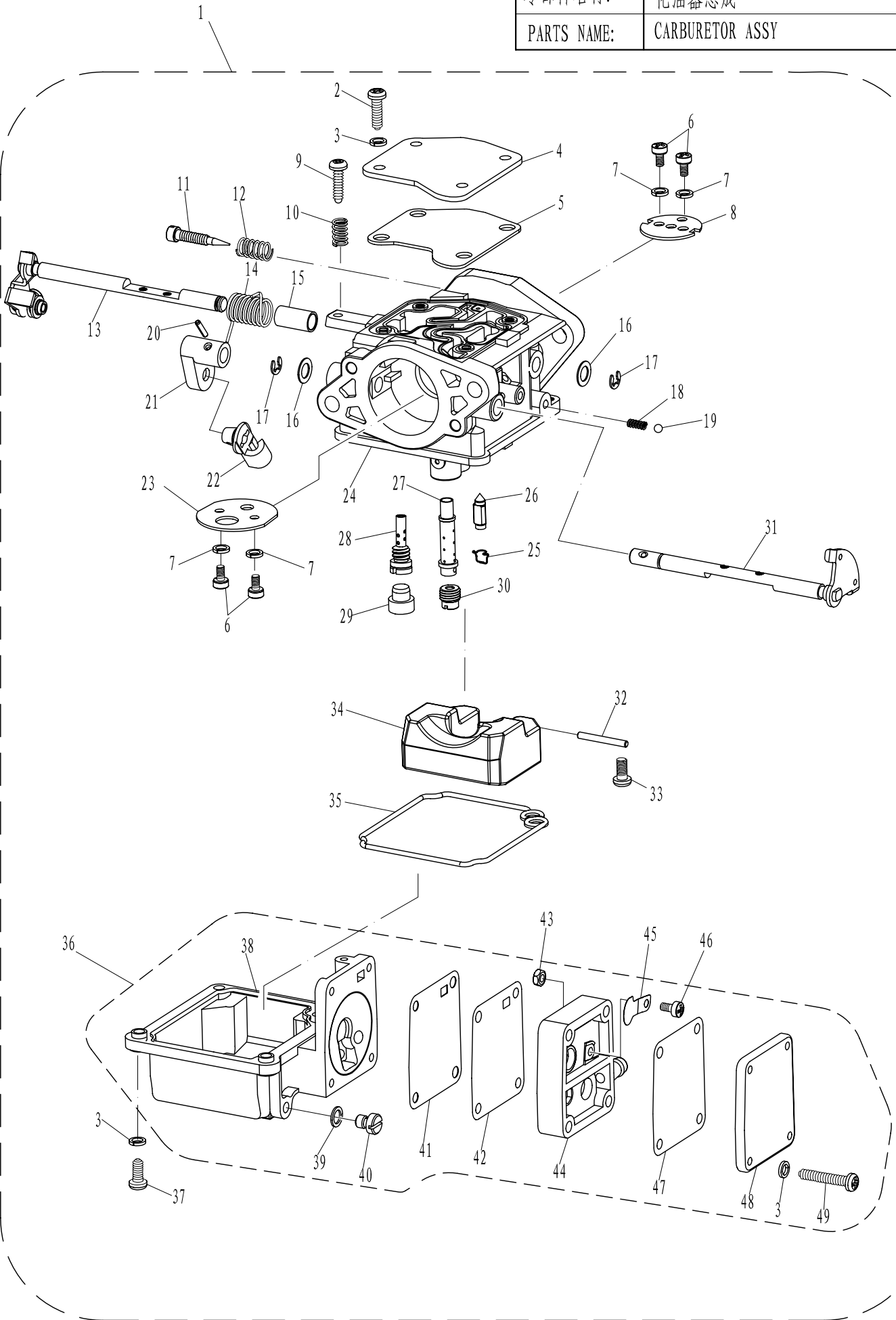


零部件名称:

化油器总成

PARTS NAME:

CARBURETOR ASSY



零部件名称:

化油器总成

PARTS NAME:

CARBURETOR ASSY

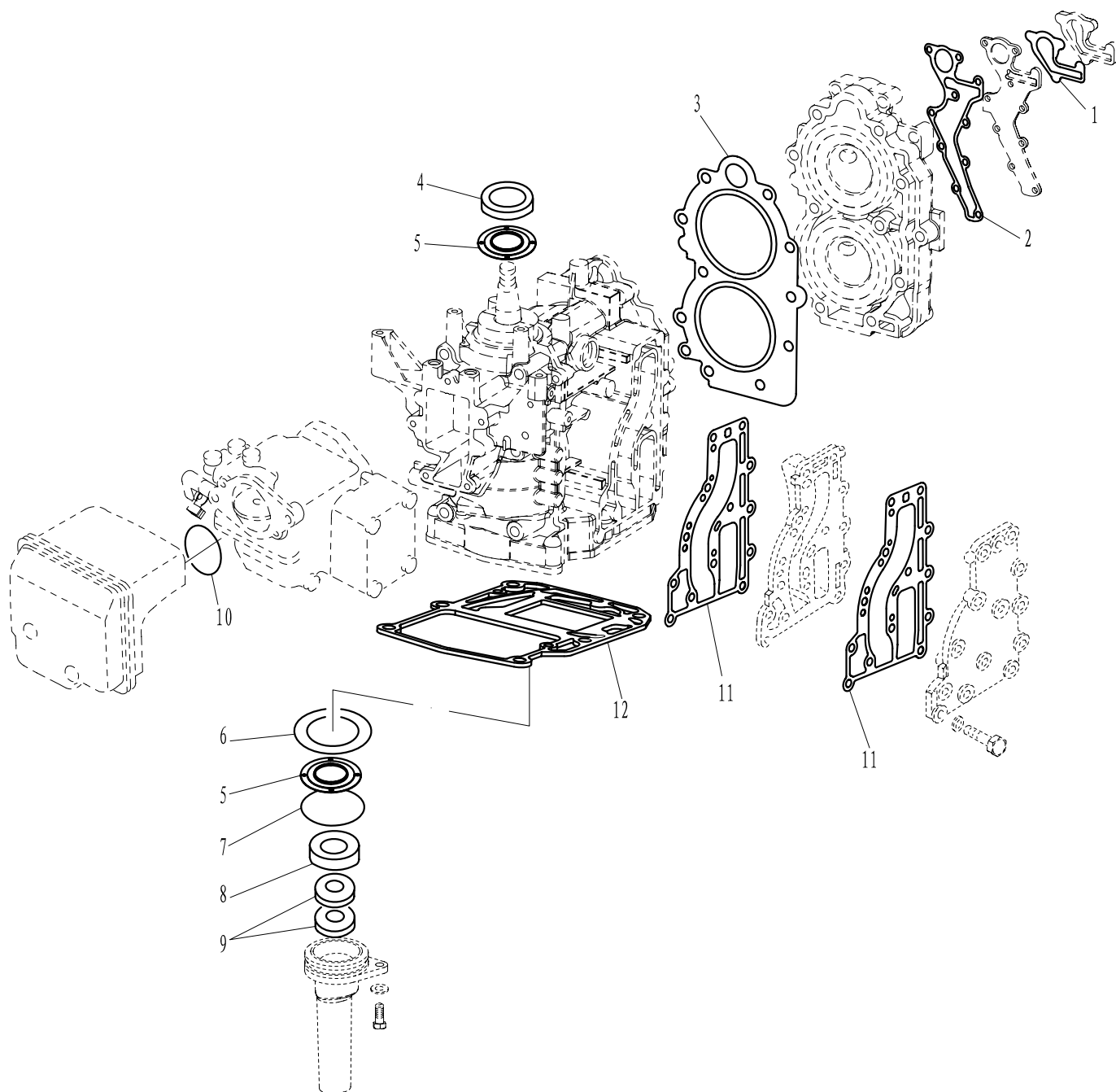
SN. 参照号码	PART NO. 零件编号	DESCRIPTION 零件名称(中文)	DESCRIPTION 零件名称(英文)	QTY 数量					REMARKS 备注
1	TE15-05010000	化油器组件	CARBURETOR ASSY	1					
2	GB/T818-M4x10	十字槽盘头螺钉M4x10	SCREW M4x10	4					
3	GB/T94.1-4	弹簧垫圈4	SPRING WASHER 4	12					
4	TE15-05010003	面板	PLATE	1					
5	TE15-05010002	衬垫	GASKET	1					
6	GB/T818-M3x6	十字槽盘头螺钉M3x6	SCREW M3x6	4					
7	GB/T94.1-3	弹簧垫圈3	SPRING WASHER 3	4					
8	TE15-05010004	油门挡板	APRON, ACCELATOR	1					
9	TE15-05010006	油门止动螺钉	SCREW	1					
10	TE15-05010007	油门止动螺钉弹簧	SPRING	1					
11	TE15-05010019	怠速螺钉	SCREW, AIR ADJUSTING	1					
12	TE15-05010005	怠速螺钉弹簧	SPRING, AIR ADJUSTING	1					
13	TE15-05010100	油门摆杆组件	ACCELERATOR BAR ASSY	1					
14	TE15-05010103	油门摆杆扭簧	SPRING, SWING LINK	1					
15	TE15-05010101	油门摆杆衬管	BUSH, SWING LINK	1					
16	TE15-05010102	摆杆衬圈	WASHER	2					
17	GB/T896-4	开口挡圈4	CIRCLIP 4	2					
18	TE15-05010203	摆杆弹簧	SPRING, SWING LINK	1					
19	TE15-05010202	摆杆钢珠	BALL, SWING LINK	1					
20	GB/T897.2-2X10	轻型直槽型弹性圆柱销 $\phi 2 \times 10$	PIN $\phi 2 \times 10$	1					
21	TE15-05010004	阻风门摆杆摇臂	ARM	1					
22	TE15-05010008	阻风门连杆接头	TIE-IN, CONNECTION ROP	1					
23	TE15-05010205	阻风门挡板	APRON, AIR CHOKE	1					
24	TE15-05010001	化油器本体	CARBURETOR, BODY	1					
25	TE15-05010013	针阀弹簧	SPRING, NEEDLE VALVE	1					
26	TE15-05010012	针阀	NEEDLE VALVE	1					
27	TE15-05010010	主喷嘴	NOZZLE, MAIN	1					
28	TE15-05010020	怠速量孔	JET, AIR ADJUSTING	1					
29	TE15-05010009	胶帽	RUBBER CAP	1					
30	TE15-05010011	主量孔	MAIN, JET	1					
31	TE15-05010201	阻风门摆杆	LINK, CHOKE	1					
32	TE15-05010014	浮子销	PIN, FLOAT	1					
33	GB/T818-M4x8	十字槽盘头螺钉M4x8	SCREW M4x8	1					
34	TE15-05010015	浮子	FLOAT	1					
35	TE15-05010016	化油器密封圈	GASKET	1					
36	TE15-05010300	油杯组件	OIL CUP ASSY	1					
37	GB/T818-M4x14	十字槽盘头螺钉M4x14	SCREW M4x14	4					
38	TE15-05010301	油杯本体	CUP, BODY	1					
39	TE15-05010017	放油螺钉密封垫	GASKET	1					
40	TE15-05010018	放油螺钉	BOLT, DRAIN	1					
41	T15-04060302	燃油泵上隔膜	UPPER DIAPHRAGM, FOEL PUMP	1					
42	T15-04060303	燃油泵壳密封垫	GASKET	1					
43	GB/T6170-M3	六角螺母M3	NUT M3	2					

零部件名称:

附录1 (修理套件)

PARTS NAME:

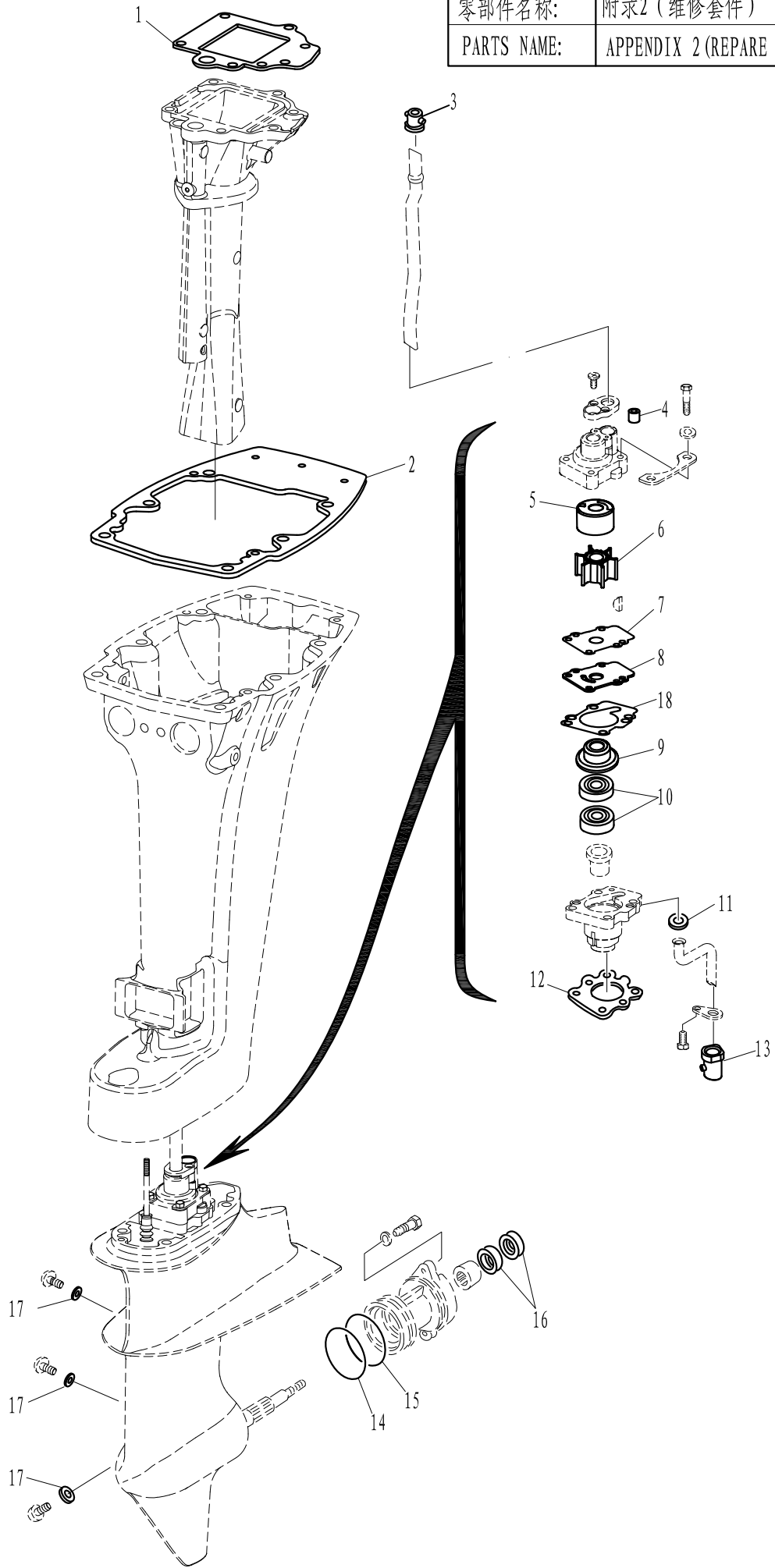
APPENDIX 1 (REPAIR KIT)



SN. 参照号码	PART NO. 零件编号	DESCRIPTION 零件名称(中文)	DESCRIPTION 零件名称(英文)	QTY 数量					REMARKS 备注
1	T15-0400003	节温器盖垫	GASKET , THERMOSTAT	1					
2	TE15-0500002	水道盖板密封垫	GASKET, HEAD COVER	1					
3	T15-04000100	缸头复合垫	GASKET, CYLINDER HEAD	1					
4	T15-04020107	曲轴油封23x36x13	OIL SEAL 23x36x13	1					
5	T15-04020002	轴承盖板	PLATE, BEARING COVER	2					
6	T15-04020001	曲轴定位片	WASHER, ORIENTATION	1					
7	T15-04010402	油封壳体O型圈	O-RING	1					
8	T15-04010403	油封壳体油封A 25X38X7	OIL SEAL "A" 25X38X7	1					
9	F15-04000008	骨架油封	OIL SEAL , FRAMEWORK	2					
10	JASO F404 19-035	O型圈 $\phi 35.2 \times 1.9$	O-RING $\phi 35.2 \times 1.9$	1					
11	T15-04010002	排气盖板垫	GASKET , EXHAUST COVER	2					
12	T15-00000005	发动机密封垫	GASKET , CRANKCASE	1					

零部件名称: 附录2 (维修套件)

PARTS NAME: APPENDIX 2 (REPAIR KIT)



名称:

零件目录检索表 1

NAME:

PART CATALOGUE INDEX 1

零件代号 PART NO.	页码/序号 PAGE/NO.	零件代号 PART NO.	页码/序号 PAGE/NO.	零件代号 PART NO.	页码/序号 PAGE/NO.
F15-0000006	5-12	F15-10010000	33-3	T15-04010403	22-16
F15-01010006	2-19	F15-10020000	33-6	T15-04010501	20-26
F15-01010102	2-15	F25-01010102	2-16	T15-04020000	22-13
F15-01010104	2-4	F25-04000007	14-22	T15-04020001	22-14
F15-01010305-3	2-1	F25-05000016	27-10	T15-04020002	22-2
F15-01010401	3-54	F25-05160021	26-3	T15-04020101	22-12
F15-01010402	3-50	F4-01010003	2-18	T15-04020102	22-4
F15-04000005	20-29	F4-01010005	2-17	T15-04020103	22-6
F15-04000008	22-17	F4-01050003	3-52	T15-04020104	22-11
F15-05000009	10-14	F4-01090006	7-25	T15-04020105	22-9
F15-05000022	10-3	F4-01090007	7-24	T15-04020106	22-5
F15-05000023	10-4	F4-01090200	7-15	T15-04020107	22-1
F15-05000035	12-3	F4-01090401	10-17	T15-04020108	22-8
F15-06000009	15-58	F4-03000023	14-33	T15-04020200	22-10
F15-06000010	14-36	F4-03000024	14-34	T15-04020201	22-7
F15-06000011	15-59	F4-04000002	27-3	T15-04020202	22-25
F15-06000012	15-60	F4-04000003	27-5	T15-04020205	22-21
F15-06000013	14-14	F4-04000030	24-9	T15-04020206	22-22
F15-06000015	16-14	F4-04120100	26-2	T15-04020207	22-26
F15-06000016	16-17	F4-04130013	26-22	T15-04020208	22-27
F15-06000020-1	15-56	F4-04130102	26-1	T15-04020300	22-28
F15-06010000	15-38	F4-05000200	24-14	T15-04030001	12-22
F15-06020002	14-16	F4-06000006	29-7	T15-04030003	12-23
F15-06020003	14-15	GB/T276-6005	15-48	T15-04030004	12-24
F15-06070001	15-44	NGK BPR7HS	20-10	T15-04030006	12-27
F15-06070002	15-43	NSK F1420	14-20	T15-04050000	18-1
F15-06070003	15-40	NSK F1712	15-53	T15-04050001	18-16
F15-06070004	15-39	NSK HR30205J	15-37	T15-04050002	18-15
F15-06070005	15-41	T15-00000006	5-22	T15-04050100	18-17
F15-06070006	15-42	T15-01020003	10-18	T15-04060302	31-41
F15-06070007	15-45	T15-01020300	7-20	T15-04060303	31-42
F15-06080000	15-55	T15-01020301	7-17	T15-04060304	32-44
F15-06080001	15-52	T15-01020302	7-18	T15-04060305	32-45
F15-06080002	15-50	T15-01020303	7-21	T15-04060307	32-47
F15-06080003	15-51	T15-03000006	24-10	T15-04060308	32-48
F15-06080004	15-54	T15-03000013	18-12	T15-04070001	26-13
F15-06080005	15-46	T15-04000002	20-9	T15-04070002	26-11
F15-06080006	15-47	T15-04000003	20-4	T15-04070003	26-10
F15-07000004	17-10	T15-04000004	20-3	T15-04070004	26-09
F15-07000016	12-13	T15-04000005	20-18	T15-06000002	29-15
F15-07000200	17-7	T15-04000006	20-28	T15-06000005	29-16
F15-07020005	22-23	T15-04000010	20-5	T20-01000010	7-3
F15-07020006	22-24	T15-04000011	17-2	T20-01000011	7-2
F15-07080000	24-5	T15-04000012	17-1	T20-01000012	7-6
F15-07080001	24-6	T15-04000013	20-17	T20-04000008	10-12
F15-07080002	24-8	T15-04000014	12-26	T36-01010325	2-26
F15-07130001	26-20	T15-04000019	12-14	T36-01010326	2-28
F15-07130002	26-19	T15-04000020	12-16	T36-04000023	27-7
F15-07130107	26-16	T15-04000021	12-5	T36-06000003	29-12
F15-07130201	26-24	T15-04000022	12-17	T85-01010003	2-22
F15-07130202	26-18	T15-04000023	24-2	T85-01030006	27-12
F15-07130203	26-26	T15-04000100	20-12	T85-01030006	17-6
F15-07130204	26-25	T15-04000200	17-9	TE15-00000001	5-26
F15-07130205	26-23	T15-04000800	12-19	TE15-00000002	5-21
F15-08000004	29-8	T15-04010002	20-24	TE15-00000003	5-25
F15-09000000	33-1	T15-04010003	20-25	TE15-00000004	10-15
F15-10000000	33-2	T15-04010103	20-14	TE15-00000005	20-23
F15-10000001	33-9	T15-04010200	20-15	TE15-01000001	5-15
F15-10000002	33-8	T15-04010202	20-21	TE15-01000002	5-16
F15-10000003	33-7	T15-04010402	22-15	TE15-01000003	5-17

名称: 零件目录检索表 2

NAME: PART CATALOGUE INDEX 2

零件代号 PART NO.	页码/序号 PAGE/NO.	零件代号 PART NO.	页码/序号 PAGE/NO.	零件代号 PART NO.	页码/序号 PAGE/NO.
TE15-01000004	5-18	TE15-02010002	9-6	TE15-05010005	31-12
TE15-01000005	7-4	TE15-02010003	9-7	TE15-05010006	31-9
TE15-01000006	7-7	TE15-03000001	10-13	TE15-05010007	31-10
TE15-01000007	7-8	TE15-03000002	10-16	TE15-05010008	31-22
TE15-01000008	5-20	TE15-03000003	12-6	TE15-05010009	31-29
TE15-01010001	2-24	TE15-03000004	12-1	TE15-05010010	31-27
TE15-01010002	2-40	TE15-03000005	12-12	TE15-05010011	31-30
TE15-01010003	2-21	TE15-03000006	12-8	TE15-05010012	31-26
TE15-01010004	2-5	TE15-03000007	12-5	TE15-05010013	31-25
TE15-01010005	2-36	TE15-03000008	12-10	TE15-05010014	31-32
TE15-01010006	2-35	TE15-03000009	24-12	TE15-05010015	31-34
TE15-01010007	2-12	TE15-03000010	10-2	TE15-05010016	31-35
TE15-01010100	3-56	TE15-03000011	10-5	TE15-05010017	31-39
TE15-01010101	2-39	TE15-03000012	10-7	TE15-05010018	31-40
TE15-01010200	3-55	TE15-03000013	18-12	TE15-05010019	31-11
TE15-01010201	2-8	TE15-03000014	18-11	TE15-05010020	31-28
TE15-01010301	2-25	TE15-03000015	18-10	TE15-05010100	31-13
TE15-01010302	2-34	TE15-03000016	24-11	TE15-05010101	31-15
TE15-01010303	2-33	TE15-04000000	16-19	TE15-05010102	31-16
TE15-01010304	2-32	TE15-04000001	14-35	TE15-05010103	31-14
TE15-01010305	2-38	TE15-04000002	14-19	TE15-05010201	31-31
TE15-01010306	3-48	TE15-04000003	14-27	TE15-05010202	31-19
TE15-01010307	3-46	TE15-04000004	14-30	TE15-05010203	31-18
TE15-01010308	3-49	TE15-04000006	14-29	TE15-05010204	31-21
TE15-01010309	2-41	TE15-04000007	14-10	TE15-05010205	31-23
TE15-01010310	3-47	TE15-04000008	14-12	TE15-05010300	31-36
TE15-01010311	2-42	TE15-04000009	14-11	TE15-05010301	31-38
TE15-01010312	2-43	TE15-04000011	14-8	TE15-05020000	20-16
TE15-01010313	3-44	TE15-04000012	14-7	TE15-05020001	12-25
TE15-01010314	2-6	TE15-04000013	14-3	TE15-05030000	26-7
TE15-01010315	2-3	TE15-04000014	14-2	TE15-05030001	26-27
TE15-01010316	2-7	TE15-04000015	14-6	TE15-05030002	26-4
TE15-01010317	2-2	TE15-04000016	16-3	TE15-05030003	26-29
TE15-01010318	2-30	TE15-04000017	16-4	TE15-05030004	26-6
TE15-01020001	5-1	TE15-04000018	15-57	TE15-05030101	26-12
TE15-01020002	5-14	TE15-04000021	16-13	TE15-05030200	26-5
TE15-01020100	7-1	TE15-04000022	16-8	TE15-06000000	29-1
TE15-01030001	7-5	TE15-04000100	14-31	TE15-06000001	29-3
TE15-01030002	7-12	TE15-04000200	14-9	TE15-06000002	29-17
TE15-01030003	7-14	TE15-04000301	14-13	TE15-06000003	29-14
TE15-02000001(L/S)	9-14	TE15-04010000	14-18	TE15-06000008	29-2
TE15-02000001L-1	9-21	TE15-04010002	14-21		
TE15-02000002	9-17	TE15-04010003	14-24		
TE15-02000003	9-12	TE15-04010004	14-23		
TE15-02000004	9-11	TE15-04010005	14-25		
TE15-02000005	9-10	TE15-04020000	16-15		
TE15-02000006	5-4	TE15-05000001	20-11		
TE15-02000007	5-8	TE15-05000002	20-8		
TE15-02000008	5-7	TE15-05000003	20-7		
TE15-02000009	5-13	TE15-05000006	27-8		
TE15-02000010	5-10	TE15-05000300	27-4		
TE15-02000011	9-21	TE15-05000400	27-11		
TE15-02000012	9-13	TE15-05000500	18-7		
TE15-02000013	16-1	TE15-05000601	22-18		
TE15-02000014	16-2	TE15-05000700	17-3		
TE15-02000015	9-2	TE15-05010000	18-4		
TE15-02000016	9-18	TE15-05010001	31-24		
TE15-02000017	9-19	TE15-05010002	31-5		
TE15-02000100	5-6	TE15-05010003	31-4		
TE15-02010001	9-5	TE15-05010004	31-8		