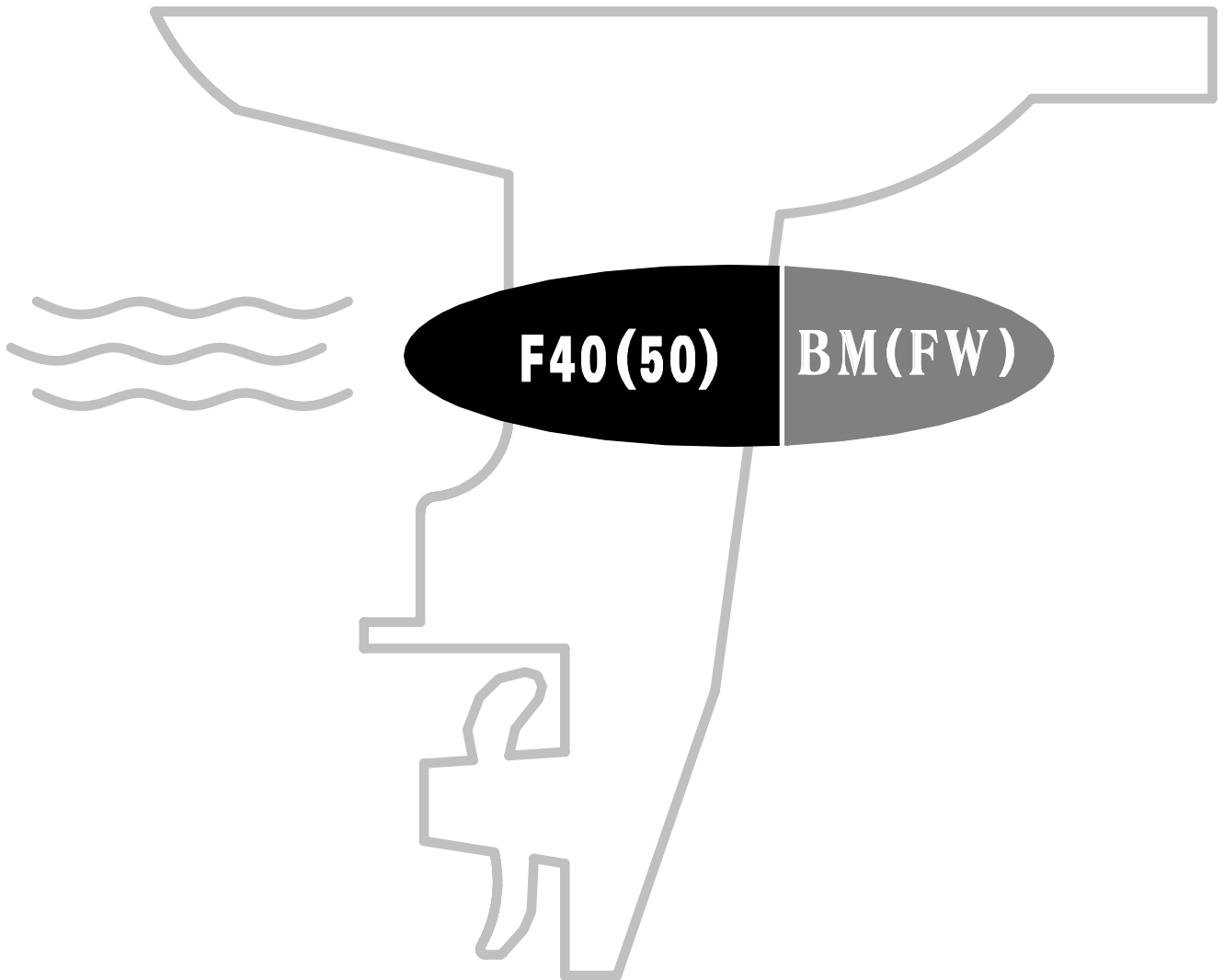


零件目录

PARTS CATALOGUE



苏州百胜动力机器股份有限公司

SUZHOU PARSUN POWER MACHINE CO., LTD

目录

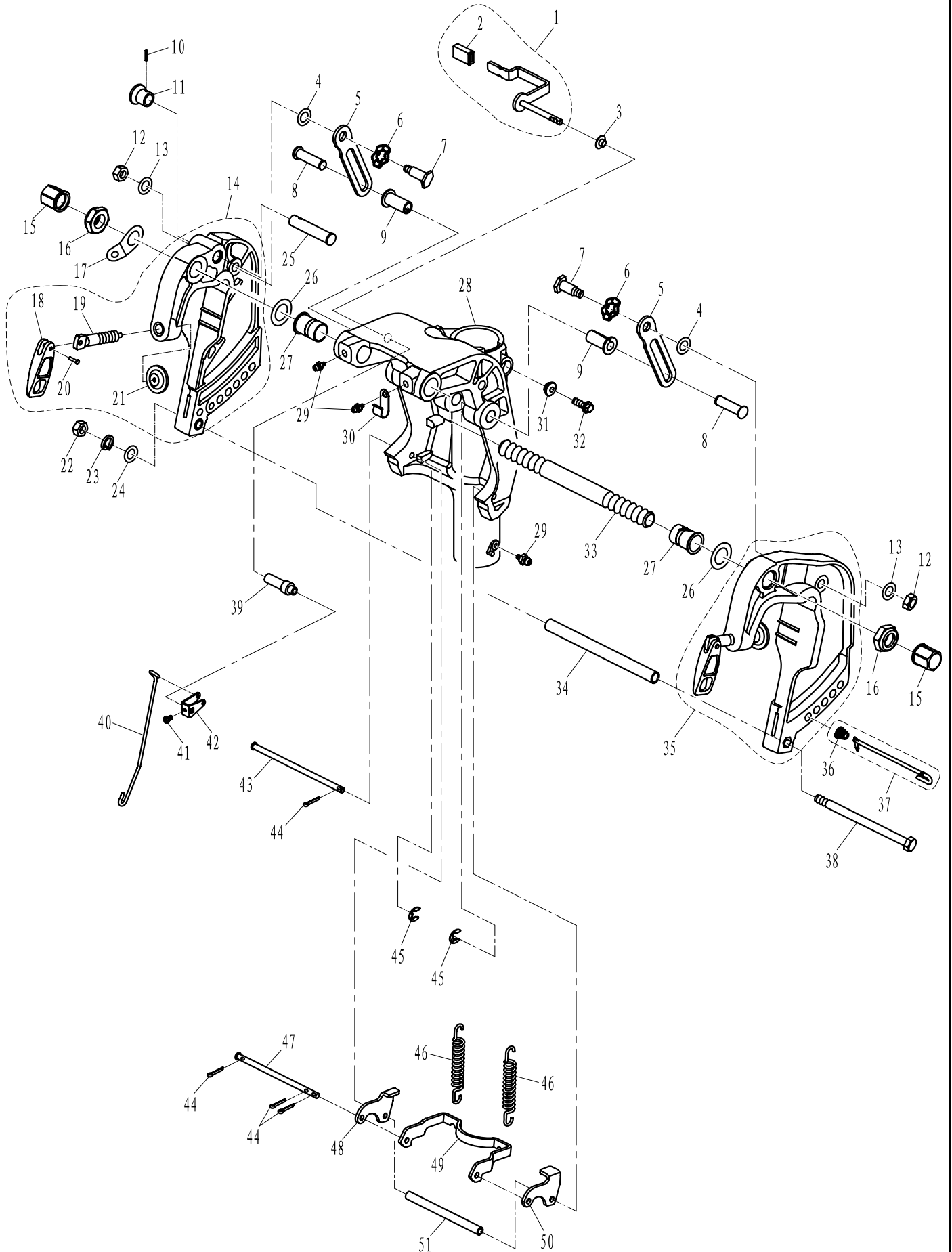
CONTENTS

托架 1	1 ~ 3
BRACKET 1	1 ~ 3
托架 2	4 ~ 5
BRACKET 2	4 ~ 5
托架 3	6 ~ 7
BRACKET 3	6 ~ 7
操舵系统	8 ~ 9
STEERING	8 ~ 9
水上装置壳体	10 ~ 11
UPPER CASING	10 ~ 11
油底壳组件	12 ~ 13
OIL PAN ASSY	12 ~ 13
底罩	14 ~ 16
BOTTOM COWLING	14 ~ 16
控制系统 1	17 ~ 18
CONTROL SYSTEM 1	17 ~ 18
控制系统 2	19 ~ 20
CONTROL SYSTEM 2	19 ~ 20
水下装置壳体&驱动系统 1	21 ~ 23
LOWER CASING & DRIVE 1	21 ~ 23
水下装置壳体&驱动系统 2	24 ~ 25
LOWER CASING & DRIVE 2	24 ~ 25
电气 1	26 ~ 27
ELECTRICAL 1	26 ~ 27
电气 2	28
ELECTRICAL 2	28
电气 3	29 ~ 30
ELECTRICAL 3	29 ~ 30
电气 4	31 ~ 32
ELECTRICAL 4	31 ~ 32
进气系统 1	33 ~ 34
INTAKE 1	33 ~ 34
进气系统 2	35 ~ 36
INTAKE 2	35 ~ 36
气缸头	37 ~ 38
CYLINDER HEAD	37 ~ 38
曲轴&活塞	39 ~ 40
CRANKSHAFT & PISTON	39 ~ 40
曲轴箱	41 ~ 42
CRANKCASE	41 ~ 42

油泵	43 ~ 44
OIL PUMP	43 ~ 44
阀门	45 ~ 46
VALVE	45 ~ 46
燃油系统	47 ~ 48
FUEL SYSTEM	47 ~ 48
起动器组件	49 ~ 50
STARTER ASSY	49 ~ 50
顶罩组件	51 ~ 52
TOP COWLING ASSY	51 ~ 52
化油器总成	53 ~ 55
CARBURETOR ASSY	53 ~ 55
外燃油箱	56
OUTER FUEL TANK	56
操纵盒组件	57 ~ 59
CONTROL BOX ASSY	57 ~ 59
电动燃油泵组件	60 ~ 61
ELECTRIC OIL PUMP ASSY	60 ~ 61
燃油共轨	62 ~ 63
FUEL COMMON RAIL	62 ~ 63
液压起翘系统	64 ~ 66
HYDRAULIC TILT ASSY	64 ~ 66
手动起翘(手操)	67
MANUAL TILT (MANUAL CONTROL)	67
气缸头总成(修理件)	68 ~ 69
CYLINDER HEAD ASSY(REPARE KIT)	68 ~ 69
附录1(修理件)	70 ~ 71
APPENDIX 1 (REPAIR KIT)	70 ~ 71
附录2(修理件)	72 ~ 73
APPENDIX 2 (REPAIR KIT)	72 ~ 73
附录3(修理件)	74 ~ 75
APPENDIX 3 (REPAIR KIT)	74 ~ 75
零件目录检索表	I ~ VI
PARTS CATALOGUE INDEX	I ~ VI

零部件名称: 托架 1

PARTS NAME: BRACKET 1



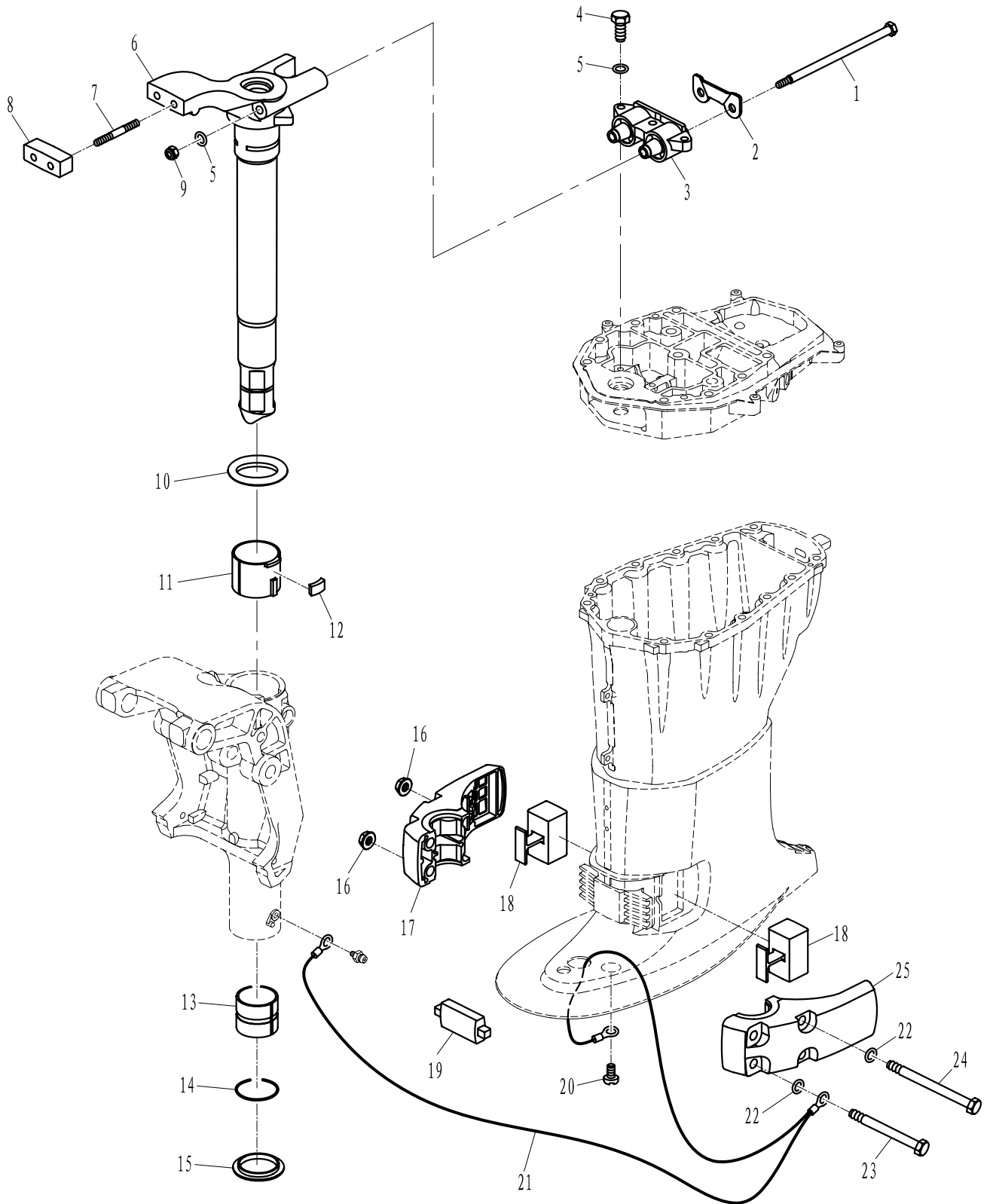
零部件名称: 托架 1

PARTS NAME: BRACKET 1

SN. 参照号码	PART NO. 零件编号	DESCRIPTION 零件名称(中文)	DESCRIPTION 零件名称(英文)	QTY 数量				REMARKS 备注
1	F25-01010312	角度锁紧手柄组件	LOCKING HANDLE ASSY	1				
2	F15-01010305-3	手柄护套	JACKET, HANDLE	1				
3	F25-01010311	锁紧手柄衬圈	BUSHING, LOCKING HANDLE	1				
4	F25-01010009	尼龙垫圈	WASHER, NYLON	2				
5	F25-01010321	倾斜制动板	DETENT PLATE, TILT	2				
6	F25-01010008	波形垫圈	WAVE WASHER	2				
7	F25-01010007	扁六角轴位螺钉	SCREW, PROLATE HEXAGON	2				
8	F25-01010318	制动板销轴(短)	PIN, DETENT PLATE	2				
9	F25-01010319	销轴尼龙衬套(高)	NYLON BUSHING, PIN	2				
10	GB/T879. 2- ϕ 3x18	轻型直槽弹性圆柱销 ϕ 3x18	PIN ϕ 3x18	1				
11	T40-01010102	起翘限位手柄	LIMITING HANDLE, TILT	1				
12	GB/T6182-M8	II型非金属嵌件六角锁紧螺母M8	LOCKING NUT M8	2				
13	F25-01010010	厚垫片8	THICK WASHER 8	2				
14	F25-01010200	右夹紧托架组件	CLAMP BRACKET ASSY (RIGHT)	1				
15	F25-01010011	塑料装饰螺母	PLASTIC NUT	2				
16	F15-01010007	托架夹紧螺母	SELF-LOCKING NUT, BRACKET	2				
17	F25-01010004	双孔固定板	PLATE , TWO HOLE	1				
18	F25-01010102	舰板夹紧手柄	CLAMP HANDLE, STERN	2				
19	F25-01010104	舰板夹紧螺杆	CLAMP SCREW, STERN	2				
20	F25-01010103	舰板夹紧手柄铆钉	RIVET, CLAMP HANDLE	2				
21	F4-01010003	舰板夹紧圆盘	CLAMP PAD	2				
22	GB/T6170-M8	六角螺母M8	NUT M8	1				
23	GB/T93-8	弹簧垫圈8	WASHER , SPRING 8	1				
24	GB/T97. 1-8	平垫圈8	WASHER 8	1				
25	T40-01010101	起翘限位轴	LIMITING SHAFT, TILT	1				
26	F25-01010003	螺管垫圈	WASHER	2				
27	F25-01010002	螺管尼龙衬套	BUSH , NYLON	2				
28	F25-01010301L	旋转支架(L)	ROTARY BRACKET (L)	1				L
	F40-01010101S	旋转支架(S)	ROTARY BRACKET (S)					S
29	GB/T7940. 1-M6	直通式压注油杯M6	OIL CUP M6	3				
30	T36-04000023	线卡	LINE CLAMP	1				
31	F25-01010302	锁紧螺栓密封圈	SEAL, BOLT	1				
32	F25-01010303	六角凸缘螺栓 M8x20	FLANG BOLT M8x20	1				
33	F15-01010001	夹紧托架双头螺管	BOLT, CLAMP BRACKET	1				
34	F25-01010006	螺栓套管	TUBE, BOLT	1				
35	F25-01010100	左夹紧托架组件	CLAMP BRACKET ASSY (LEFT)	1				
36	F25-01010403	锥形弹簧	CONICAL SPRING	1				
37	F25-01010400	角度限位杆组件	LIMITING ROD ASSY	1				
38	F25-01010005	六角长螺栓 M8x255	LONG BOLT M8x255	1				
39	F25-01010309	锁紧手柄轴套	BUSHING, LOCKING HANDLE	1				
40	F25-01010315	角度锁紧支架连杆	CONNECTING ROD, BRACKET	1				
41	GB/T818-M5x6	十字槽盘头螺钉 M5x6	SCREW, PAN HEAD M5x6	1				
42	F25-01010313	角度定位件	LEVER, ANGLE ORIENTATION	1				

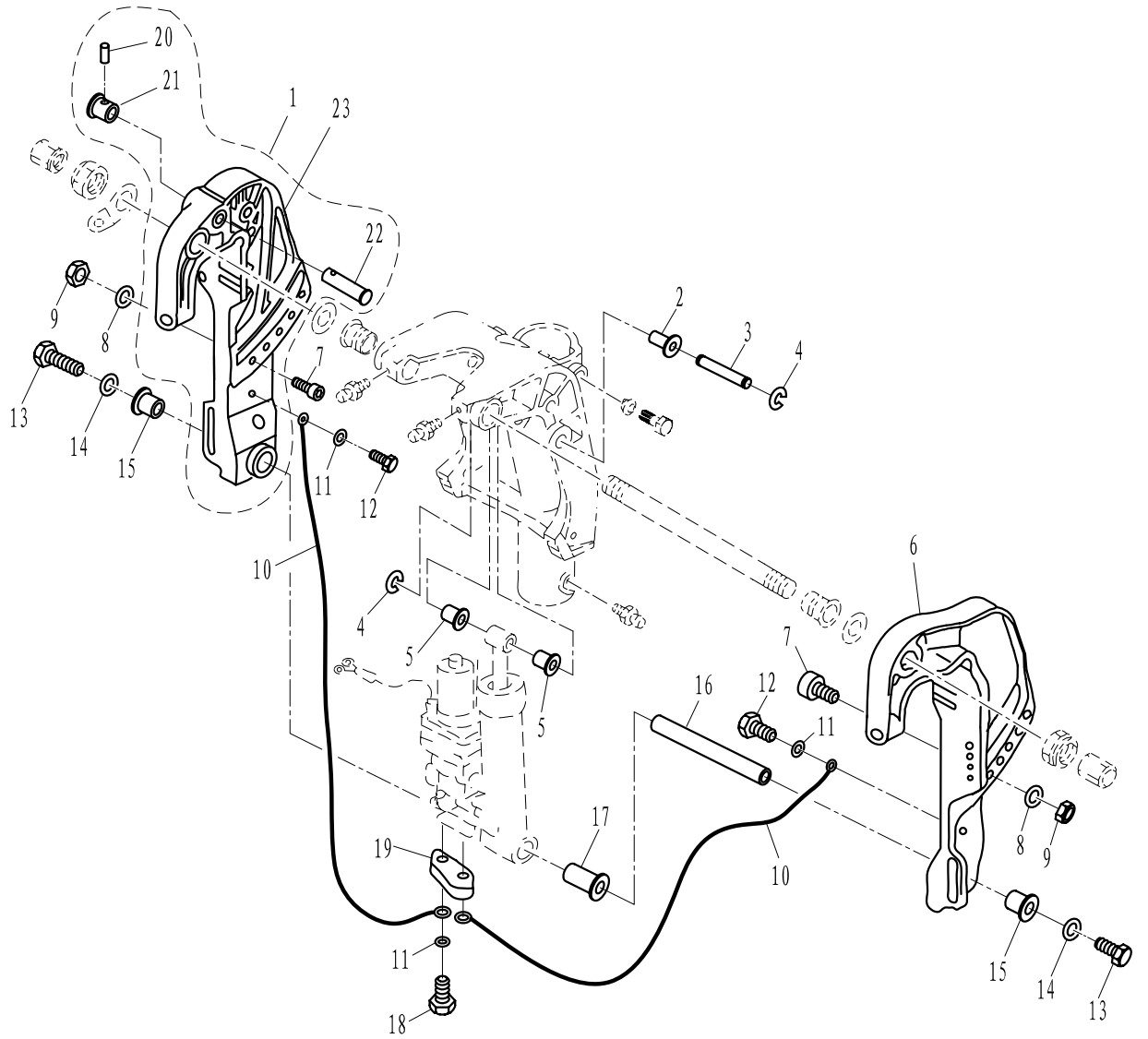
零部件名称: 托架 2

PARTS NAME: BRACKET 2



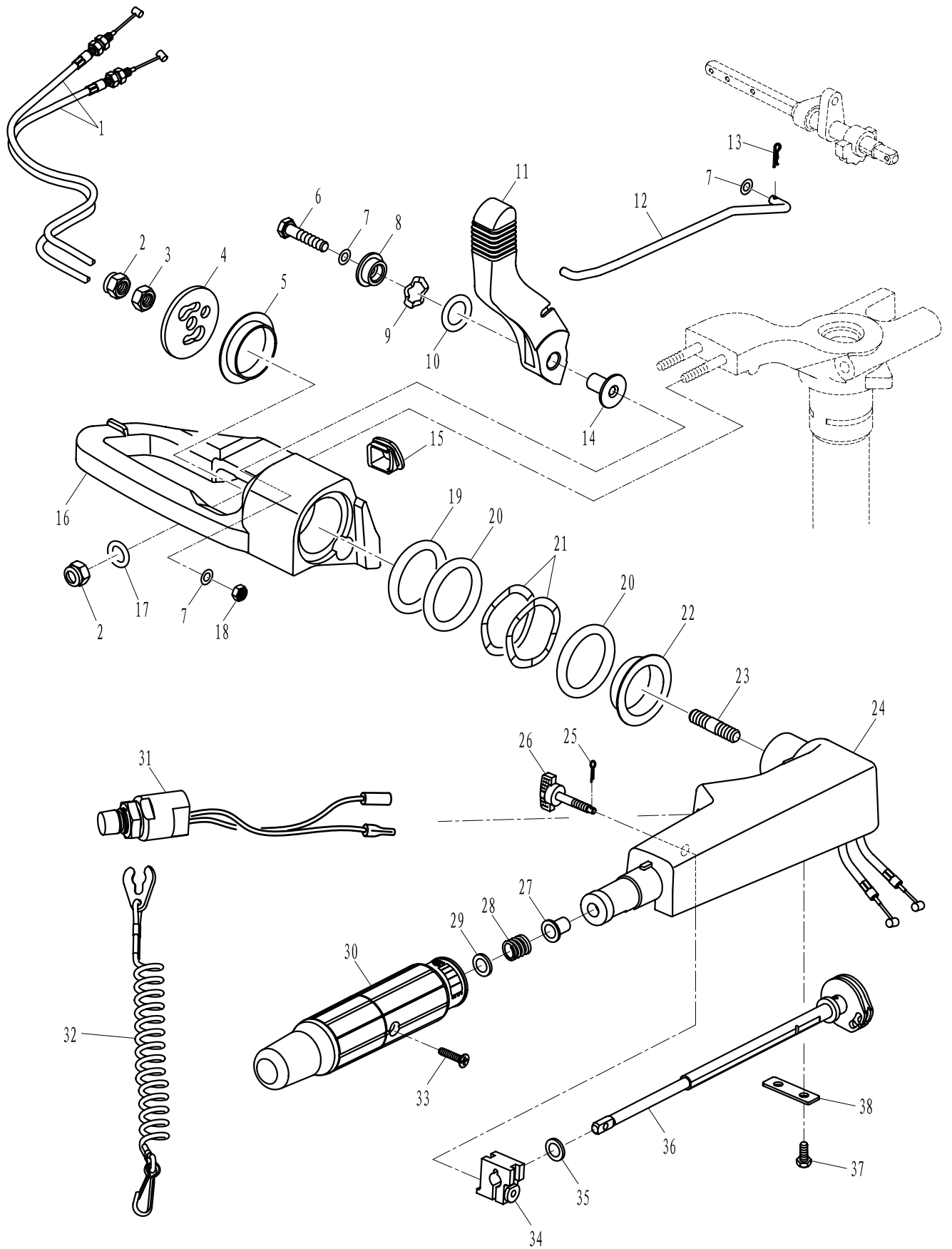
零部件名称: 托架 3

PARTS NAME: BRACKET 3



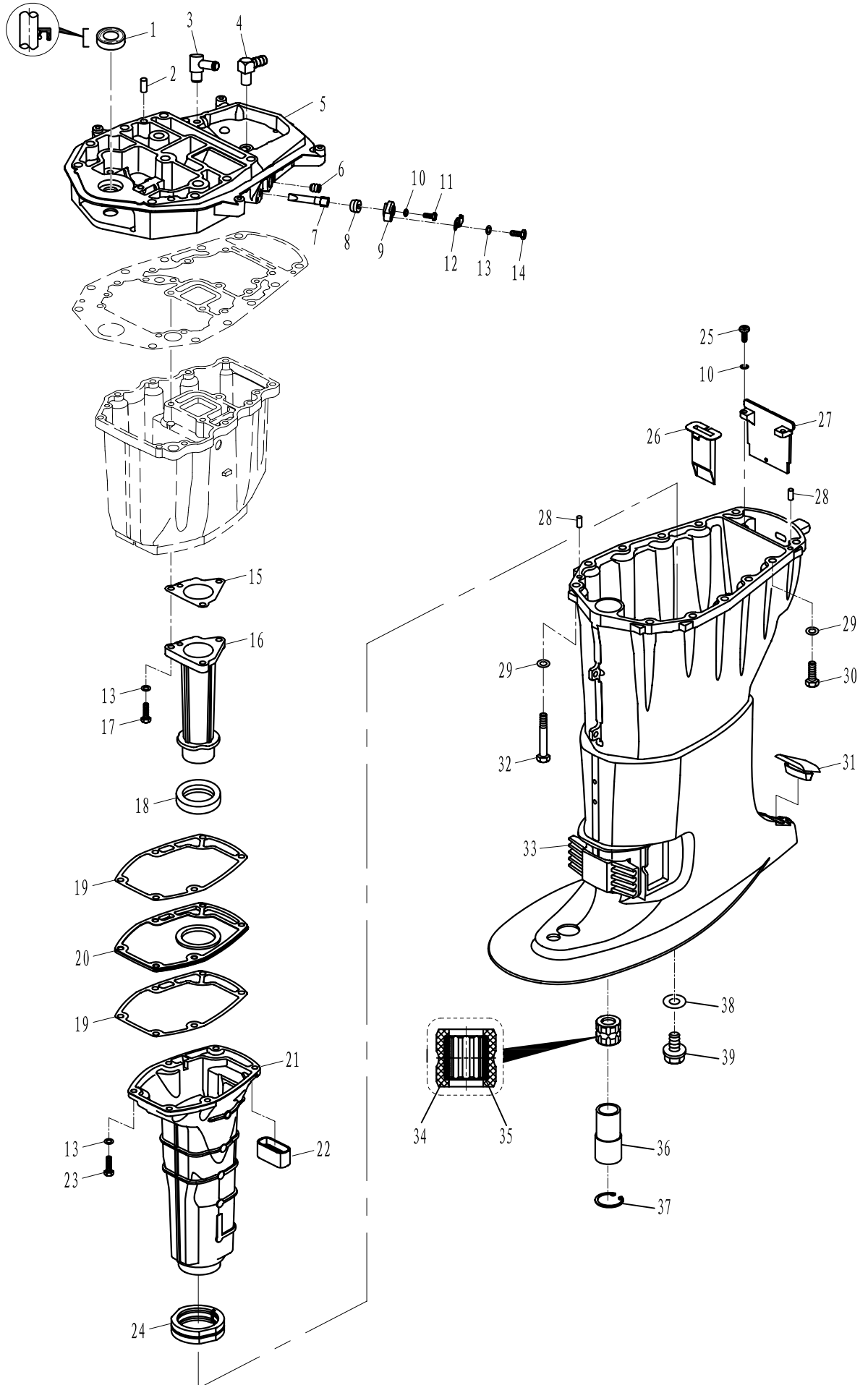
零部件名称: 操舵系统

PARTS NAME: STEERING SYSTEM



零部件名称: 水上装置壳体

PARTS NAME: UPPER CASING



零部件名称:

水上装置壳体

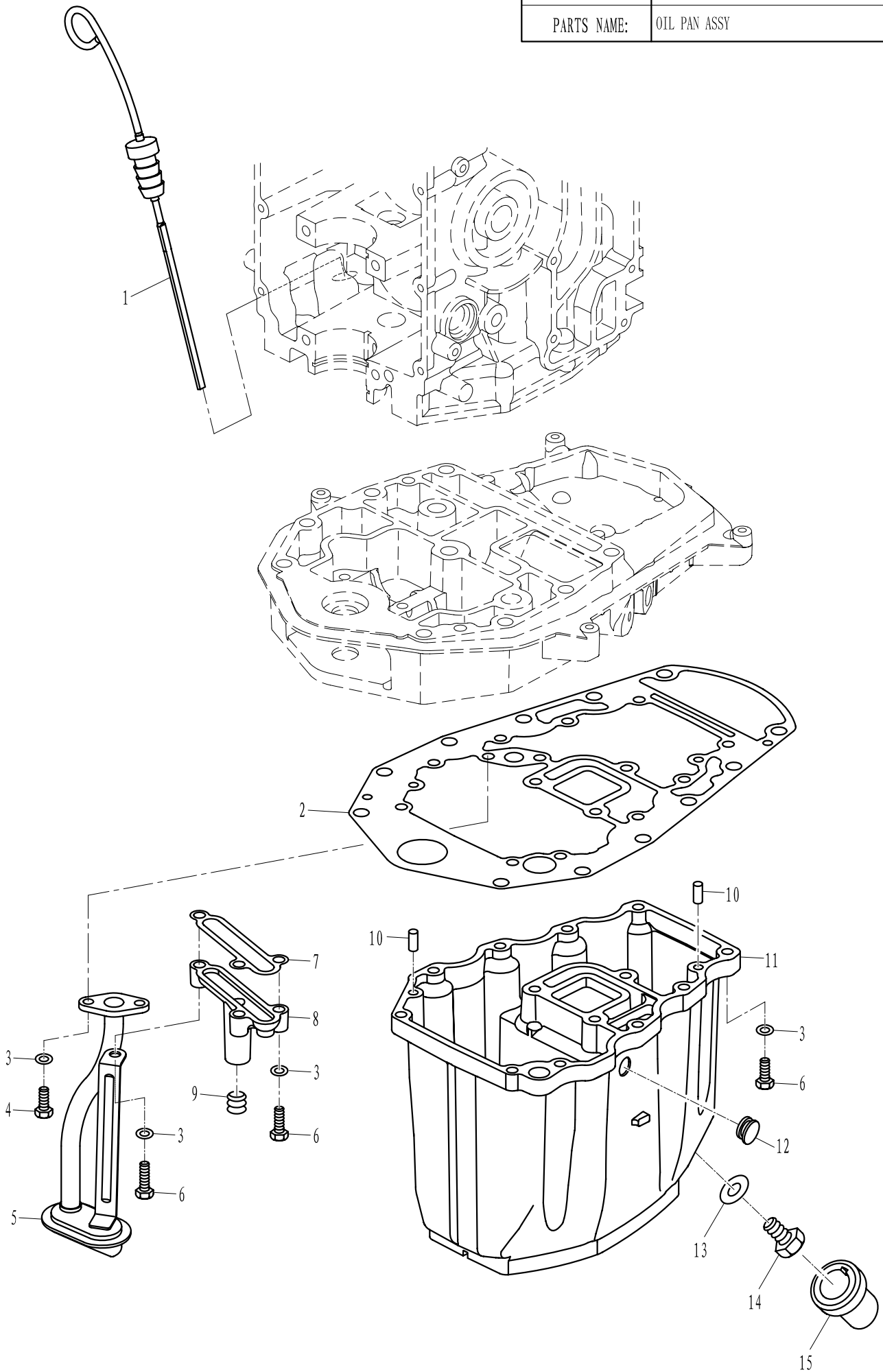
PARTS NAME:

UPPER CASING

SN. 参照号码	PART NO. 零件编号	DESCRIPTION 零件名称(中文)	DESCRIPTION 零件名称(英文)	QTY 数量					REMARKS 备注
1	F25-02010002	排气歧管座油封 16x30x6	OIL SEAL 16x30x6	1					
2	F25-00000014	定位销 $\varnothing 8 \times 12$	PIN $\varnothing 8 \times 12$	2					
3	F15-04000005	水嘴	WATER NOZZLE	1					
4	F25-02010003	回气管接头B	JOINT B, GAS PIPE	1					
5	F40-02010001	排气歧管座	SEAT, OUTLET MANIFOLD	1					
6	F15-07010005	堵塞 1/4	PLUG 1/4	1					
7	F25-02010005	阳极	ANODE	1					
8	F15-07010009	阳极密封圈	SEAL, ANODE	1					
9	F15-07010011	阳极盖板	COVER, ANODE	1					
10	GB/T97.1-5	平垫圈 5	WASHER 5	3					
11	GB/T5783-M5x12	六角螺栓 M5x12	BOLT M5x12	1					
12	F15-07010012	阳极锁止片	PLATE, ANODE	1					
13	GB/T97.1-6	平垫圈 6	WASHER 6	10					
14	GB/T5783-M6x20	六角螺栓 M6x20	BOLT M6x20	1					
15	F25-02000011	排气导管垫	GASKET, EXHAUST PIPE	1					
16	F40-02010005	排气导管	EXHAUST PIPE	1					
17	GB/T5783-M6x50	六角螺栓 M6x50	BOLT M6x50	3					
18	F40-02010006	排气管密封圈	SEAL RING, EXHAUST PIPE	1					
19	F40-02010007	隔板密封垫	GASKET, CLAPBOARD	2					
20	F40-02010008	隔板	CLAPBOARD	1					
21	F40-02010009L	排气歧管(L)	OUTLET MANIFOLD	1					L
	F40-02010009S	排气歧管(S)	OUTLET MANIFOLD(S)	1					S
22	F40-02000008	排气歧管橡胶套 B	RUBBER JACKET B, OUTLET MANIFOLD	1					
23	GB/T5783-M6x25	六角螺栓 M6x25	BOLT M6x25	6					
24	F40-02000007	排气歧管橡胶套 A	RUBBER JACKET A, OUTLET MANIFOLD	1					
25	GB/T818-M5x16	十字槽盘头螺钉 M5x16	SCREW M5x16	2					
26	F40-02000004	塑料排气接口	EXHAUST GUIDE, PLASTIC	1					
27	F25-02000003	排气隔板	CLAPBOARD, EXHAUST	1					
28	F15-00000006	定位销 $\varnothing 6 \times 12$	PIN $\varnothing 6 \times 12$	2					
29	GB/T97.1-8	平垫圈 8	WASHER 8	10					
30	GB/T5783-M8x30	六角螺栓 M8x30	BOLT M8x30	4					
31	F40-00000002	水上装置橡胶堵塞	RUBBER PLUG, UPPER CASING	1					
32	GB/T5783-M8x80	六角螺栓 M8x80	BOLT M8x80	8					
33	F40-02000001L	水上装置壳体 (L)	UPPER CASING (L)	1					L
	F40-02000001S	水上装置壳体 (S)	UPPER CASING (S)						S
34	T40-02000004	驱动轴衬套橡胶套	RUBBER BUSHING	1					
35	T40-02000003	驱动轴衬套	BUSHING, DRIVE SHAFT	1					
36	F40-02000003	驱动轴护套	JACKET, DRIVE SHAFT	1					L
37	GB/T893.1-32	A型孔用弹性挡圈 32	CIRCLIP 32	1					L
	GB/T893.1-30	A型孔用弹性挡圈 30	CIRCLIP 30						S
38	F15-04000003	放油螺塞垫片	WASHER, BOLT	1					
39	F15-04000002	放油螺塞	BOLT, OIL DRAIN	1					

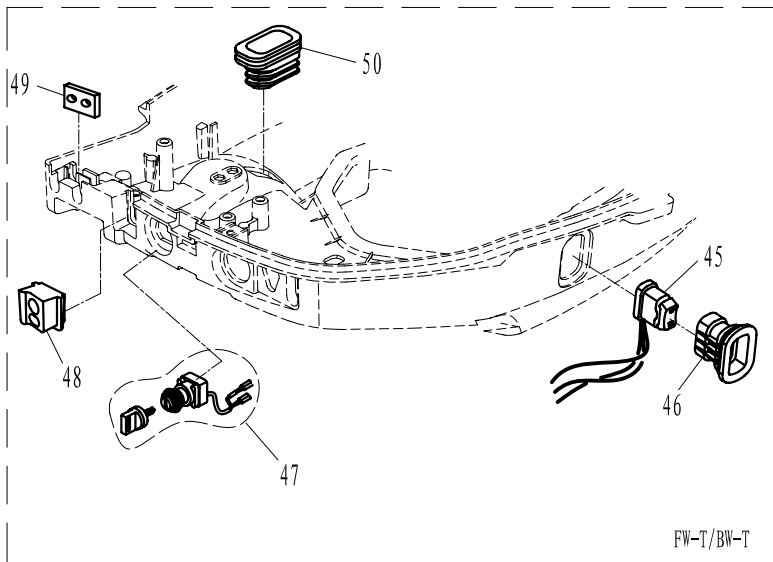
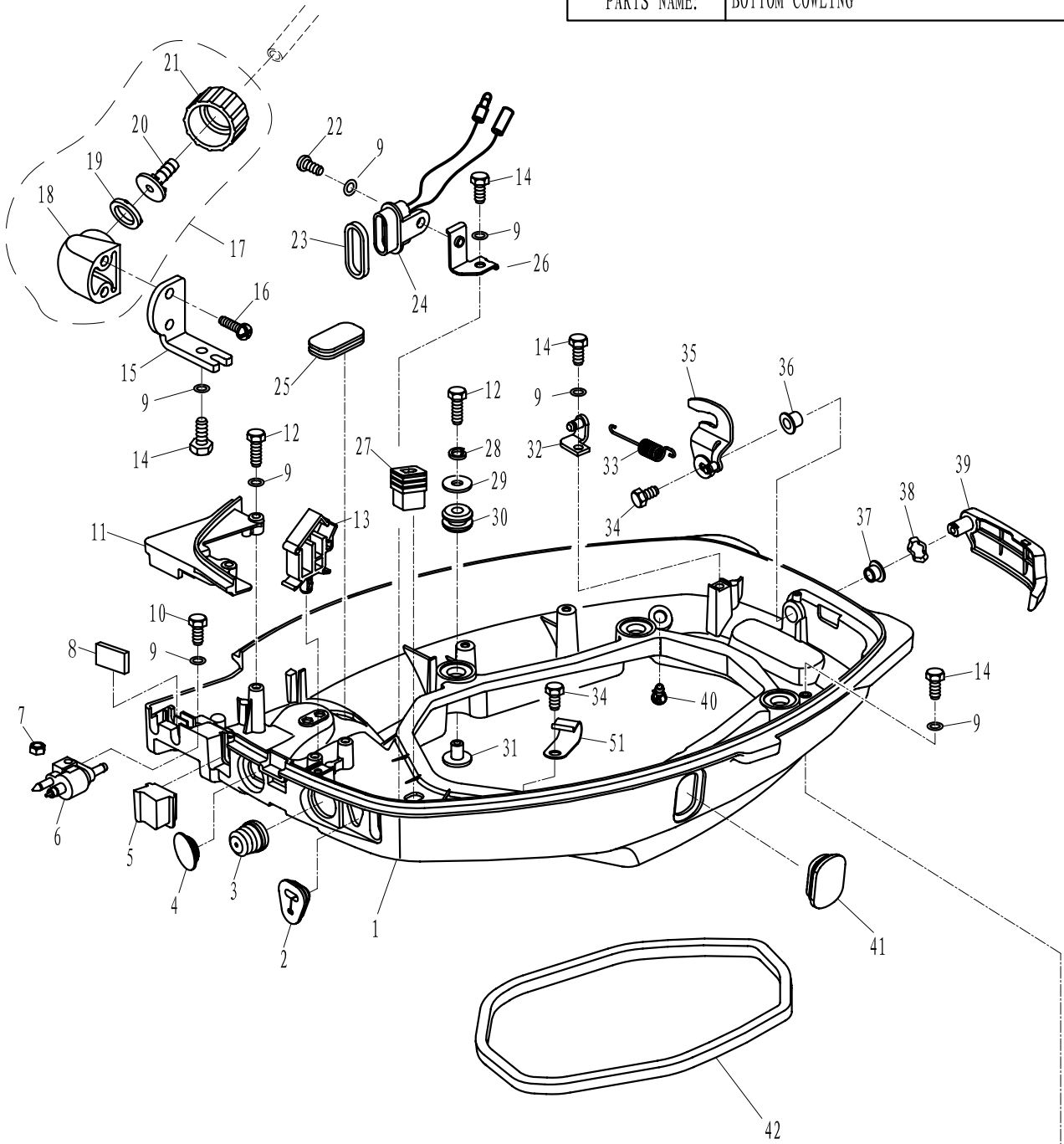
零部件名称: 油底壳组件

PARTS NAME: OIL PAN ASSY



零部件名称: 底罩

PARTS NAME: BOTTOM COWLING



FW-T/BW-T

零部件名称:

底罩

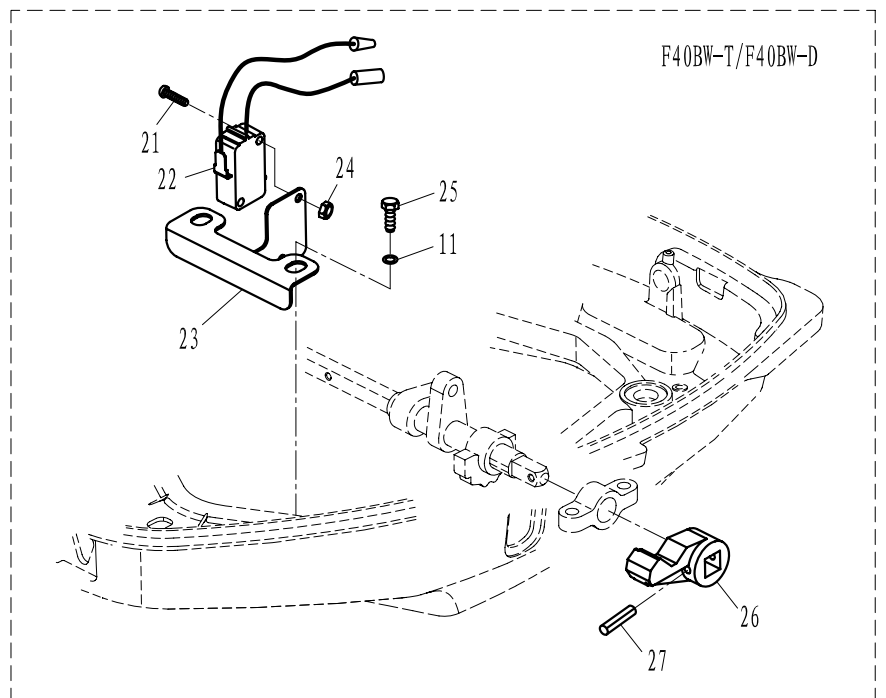
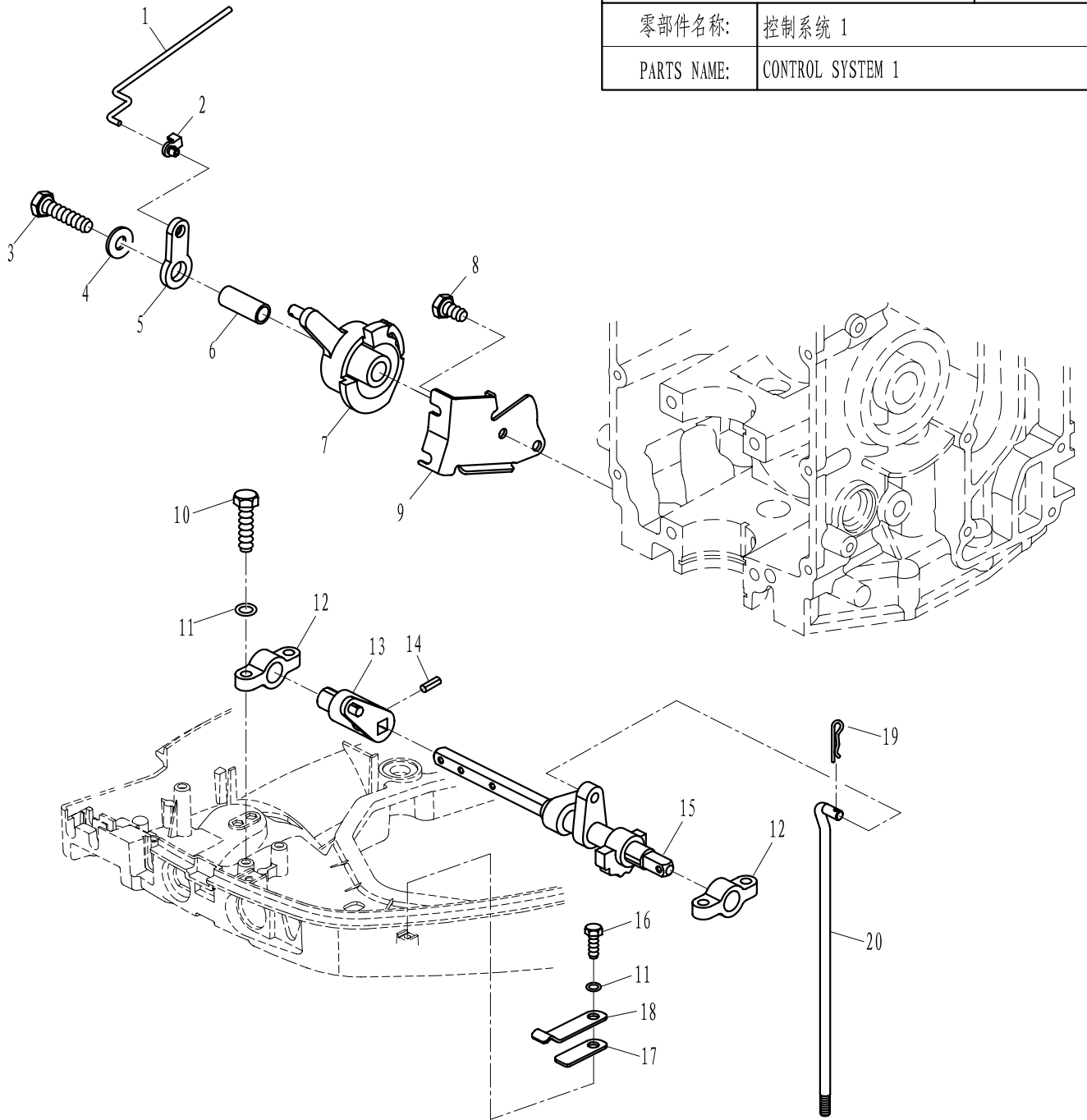
PARTS NAME:

BOTTOM COWLING

SN. 参照号码	PART NO. 零件编号	DESCRIPTION 零件名称(中文)	DESCRIPTION 零件名称(英文)	QTY 数量				REMARKS 备注
1	F40-03000001	底罩	BOTTOM COWLING	1				
	F40-03000001EI	底罩	BOTTOM COWLING					EFI
2	F15-01000015	油门钢索护套	JACKET, CABLE	1				
3	F15-05000006	波纹橡胶套	SHEATH, WAVE	1				
4	F25-03000003	圆形橡胶闷头	RUBBER PLUG, CIRCULAR	1				
5	F40-03000009	异形橡胶闷头	RUBBER PLUG, ABNORMAL	1				
6	F4-05000200	燃油管接头组件	FUEL CONNECTOR ASSY	1				
7	GB/T6170-M6	六角螺母 M6	NUT M6	3				
8	F15-05000017	方形橡胶密封条	SEAL, RUBBER	1				
9	GB/T97.1-6	平垫圈6	WASHER 6	10				
10	GB/T5783-M6x25	六角螺栓 M6x25	BOLT M6x25	1				
11	F40-03000006	底罩小盖板	COVER BOARD, BOTTOM COWLING	1				
12	GB/T5783-M6x30	六角螺栓 M6x30	BOLT M6x30	4				
13	F15-05000008	方形线夹A	CLAMP A	1				
14	GB/T5783-M6x20	六角螺栓 M6x20	BOLT M6x20	5				
15	F25-03000023W	堵塞支架	BRACKET, JAM	1				
16	GB/T84.5-ST5.5x19	十字槽盘头自攻螺钉 ST5.5x19	SCREW ST5.5x19	2				
17	F25-03000100W	水管堵塞组件	JAM ASSY	1				
18	F25-03000101W	堵塞本体	JAM	1				
19	F25-03000102W	堵塞橡胶圈	RUBBER RING, JAM	1				
20	F25-03000103W	堵塞接头	JOINT, JAM	1				
21	F25-03000104W	堵塞螺母	NUT, JAM	1				
22	GB/T823-M6x10	十字槽小盘头螺钉 M6x10	SCREW M6x10	1				
23	F20-03000101	指示灯密封件	SEAL, PILOT LAMP	1				
24	F20-03000100	指示灯组件	PILOT LAMP ASSY	1				
	F40-03000300EI	指示灯组件	PILOT LAMP ASSY	1				EFI
25	F15-05000003	长方形橡胶闷头	RUBBER PLUG, QUADRATE	1				
26	F40-03000012	指示灯固定架	BRACKET, PILOT LAMP	1				
27	F15-05000033	变档连接杆护套	JACKET, LEVER	1				
28	GB/T93-6	弹簧垫圈 6	SPRING-WASHER 6	4				
29	F25-00000004	特大垫圈 6	BIG WASHER 6	4				
30	F25-03000006	减震圈	DAMPER	4				
31	F25-03000007	减震圈垫管	BUSHING, DAMPER	4				
32	F25-03000019	拉簧支架组件	BRACKET ASSY, TENSIONAL SPRING	1				
33	F15-05000026	锁紧块拉簧	SPRING, TENSION	1				
34	GB/T5783-M6x12	六角螺栓 M6x12	BOLT M6x12	1				
35	F25-03020000	顶罩锁紧块组件	LOCKING ASSY, TOP COWLING	1				
36	F15-05000036	顶罩锁紧手柄尼龙套B	BUSHING B	1				
37	F15-05000022	顶罩锁紧手柄尼龙套A	BUSHING A	1				
38	F15-05000023	波形垫圈	WASHER, WAVE	1				
39	F40-03000100	顶罩锁紧手柄组件	LOCKING ASSY, TOP COWLING	1				
40	F15-05000009	塑料出水嘴	WATER NIPPLE, PLASTIC	1				
41	F40-03000011	底罩堵塞	JAM, BOTTOM COWLING	1				

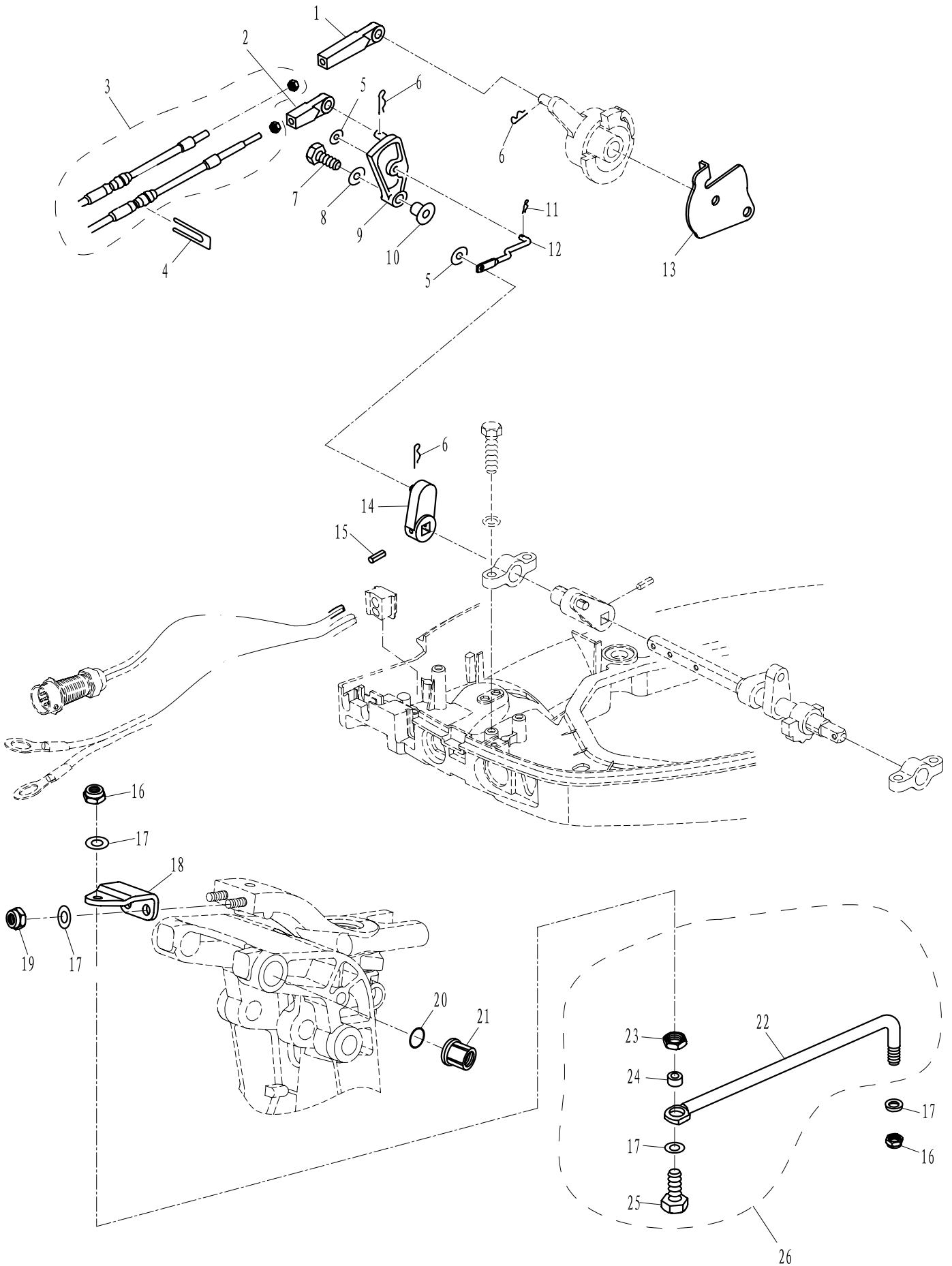
零部件名称: 控制系统 1

PARTS NAME: CONTROL SYSTEM 1



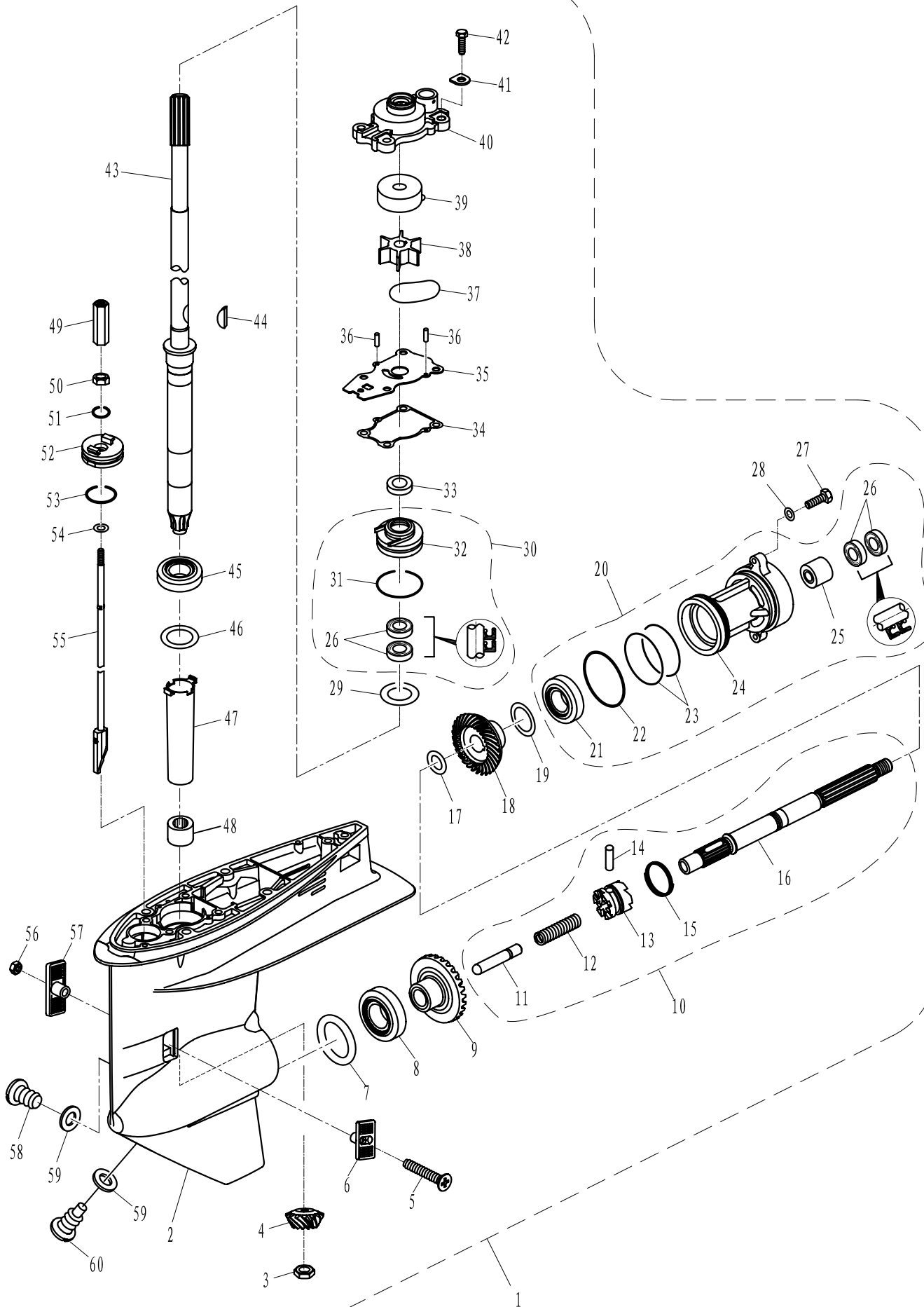
零部件名称: 控制系统 2

PARTS NAME: CONTROL SYSTEM 2



零部件名称: 水下装置壳体 and 驱动系统1

PARTS NAME: LOWER CASING & DRIVE 1



零部件名称:

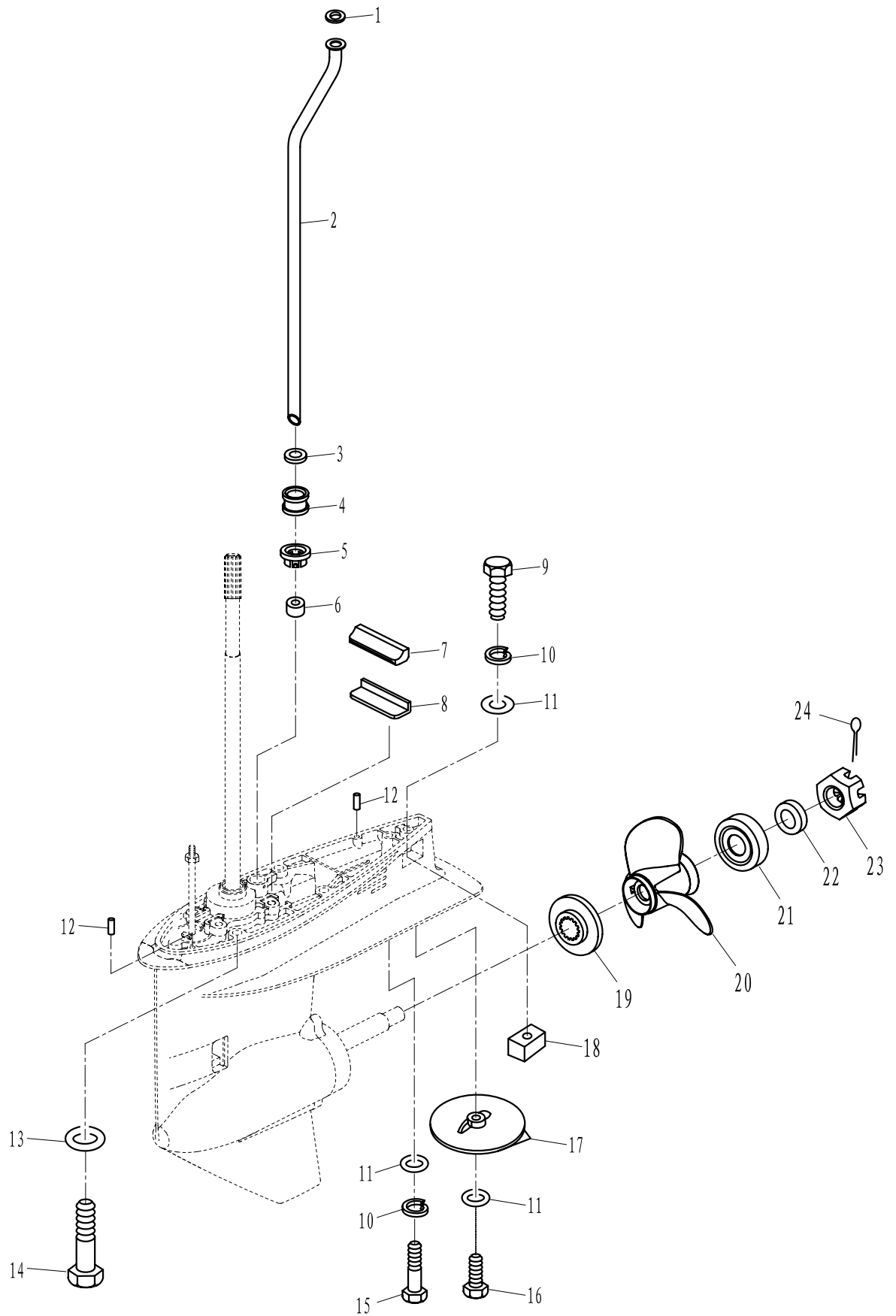
水下装置壳体和驱动系统1

PARTS NAME:

LOWER CASING & DRIVE 1

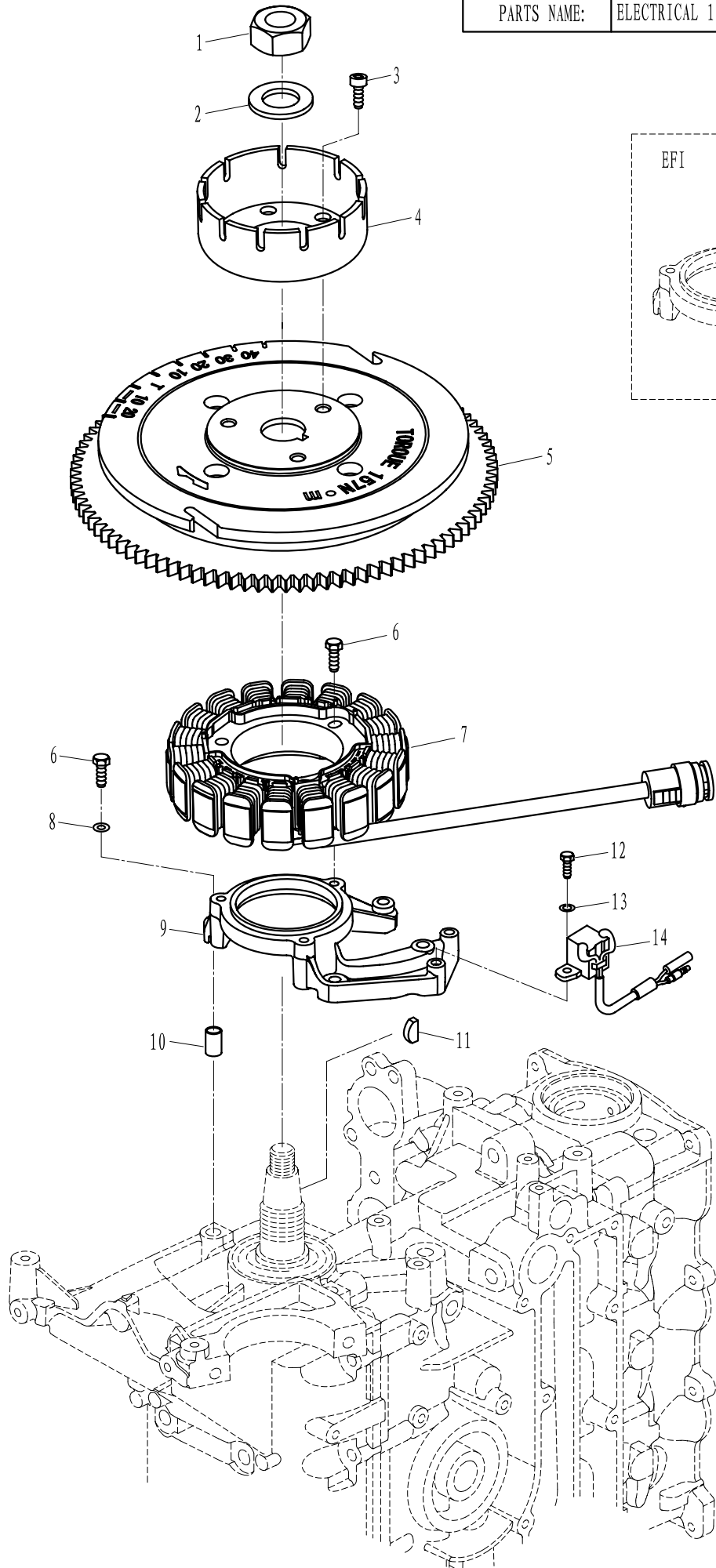
SN. 参照号码	PART NO. 零件编号	DESCRIPTION 零件名称(中文)	DESCRIPTION 零件名称(英文)	QTY 数量					REMARKS 备注
1	F40-0400000L	水下装置组件(L)	LOWER CASING ASSY(L)	1					L
	F40-0400000S	水下装置组件(S)	LOWER CASING ASSY(S)						S
2	T40-04000001	水下装置壳体	LOWER CASING	1					
3	T40-04000006	小齿轮螺母 M12x1.25	NUT, PINION	1					
4	T40-04000005	小齿轮	PINION	1					
5	GB/T820-M5x30	十字槽半沉头螺钉 M5x30	SCREW M5x30	1					
6	T40-04000022	进水口A	WATER INLET A	1					
7	T40-04000004-1	正档齿轮填隙片(T=0.10毫米)	SHIM(t: 0.10mm)	1					
	T40-04000004-2	正档齿轮填隙片(T=0.12毫米)	SHIM(t: 0.12mm)						
	T40-04000004-3	正档齿轮填隙片(T=0.15毫米)	SHIM(t: 0.15mm)						
	T40-04000004-4	正档齿轮填隙片(T=0.18毫米)	SHIM(t: 0.18mm)						
	T40-04000004-5	正档齿轮填隙片(T=0.30毫米)	SHIM(t: 0.30mm)						
	T40-04000004-6	正档齿轮填隙片(T=0.40毫米)	SHIM(t: 0.40mm)						
	T40-04000004-7	正档齿轮填隙片(T=0.50毫米)	SHIM(t: 0.50mm)						
8	KOYO H1-CAP 322/32	圆锥滚子轴承 322/32	ROLLER BEARING	1					
9	T40-04020000	正档齿轮组件	FORWARD GEAR ASSY	1					
10	T40-04050000	螺旋桨轴组件	PROPELLER SHAFT ASSY	1					
11	T40-04050006	变档柱塞	PLUNGER, SHIFT	1					
12	T40-04050002	离合器弹簧	SPRING, CLUTCH	1					
13	T40-04050003	爪型离合器	DOG CLUTCH	1					
14	T40-04050004	离合器销	PIN, CLUTCH	1					
15	T40-04050005	离合器簧环	ANNULAR SPRING, CLUTCH	1					
16	T40-04050001	螺旋桨轴	SHAFT, PROPELLER	1					
17	T40-04050007	倒档齿轮垫圈	WASHER, REVERSE GEAR	1					
18	T40-04060006	倒档齿轮	GEAR, REVERSE	1					
19	T40-04060005-1	填隙片(T=0.10毫米)	SHIM(T=0.10mm)	1					
	T40-04060005-2	填隙片(T=0.12毫米)	SHIM(T=0.12mm)						
	T40-04060005-3	填隙片(T=0.15毫米)	SHIM(T=0.15mm)						
	T40-04060005-4	填隙片(T=0.18毫米)	SHIM(T=0.18mm)						
	T40-04060005-5	填隙片(T=0.30毫米)	SHIM(T=0.30mm)						
	T40-04060005-6	填隙片(T=0.40毫米)	SHIM(T=0.40mm)						
	T40-04060005-7	填隙片(T=0.50毫米)	SHIM(T=0.50mm)						
20	T40-04060000	水下装置壳体盖组件	COVER ASSY, LOWER CASING	1					
21	KOYO 6007C4	深沟球轴承 6007	BEARING 6007	1					
22	T40-04060002	水下装置壳体盖O型密封圈 A	O-RING A, COVER	1					
23	T40-04060003	水下装置壳体盖O型密封圈 B	O-RING B, COVER	2					
24	T40-04060001	水下装置壳体盖	COVER, LOWER CASING	1					
25	NTN HK 2220 JS	滚针轴承 2220	BEARING 2220	1					
26	F25-04010003	驱动轴油封22x36x6	OIL SEAL	4					
27	GB/T5783-M8x25	六角螺栓 M8x25	BOLT M8x25	2					
28	GB/T97.1-8	平垫圈 8	WASHER 8	2					
29	T40-04000008	大垫圈	BIG WASHER	1					
30	T40-04040000	油封壳体A组件	CASING A ASSY, OIL SEAL	1					

零部件名称:	水下装置壳体和驱动系统 2
PARTS NAME:	LOWER CASING & DRIVE 2



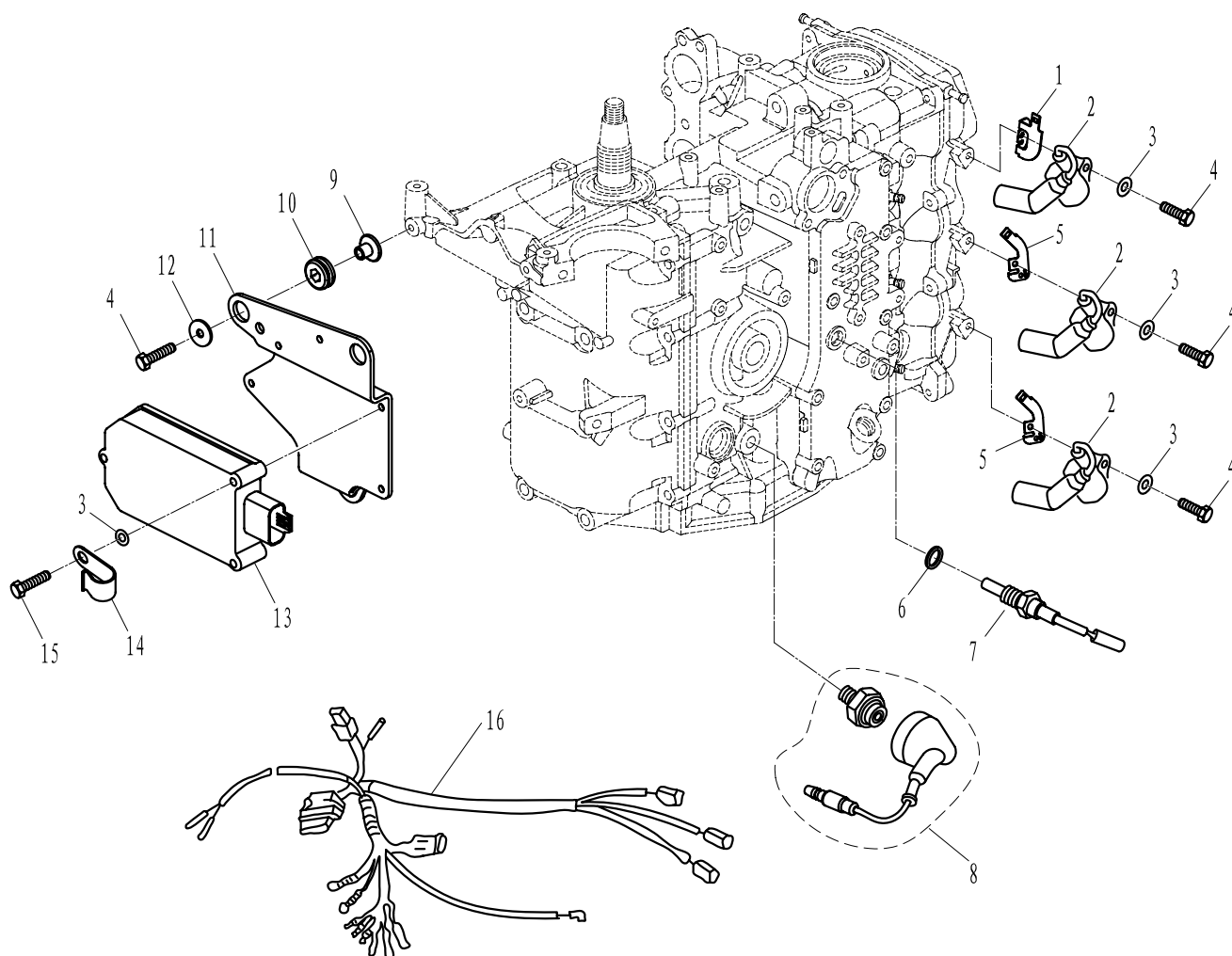
零部件名称: 电气 1

PARTS NAME: ELECTRICAL 1



零部件名称: 电气 2

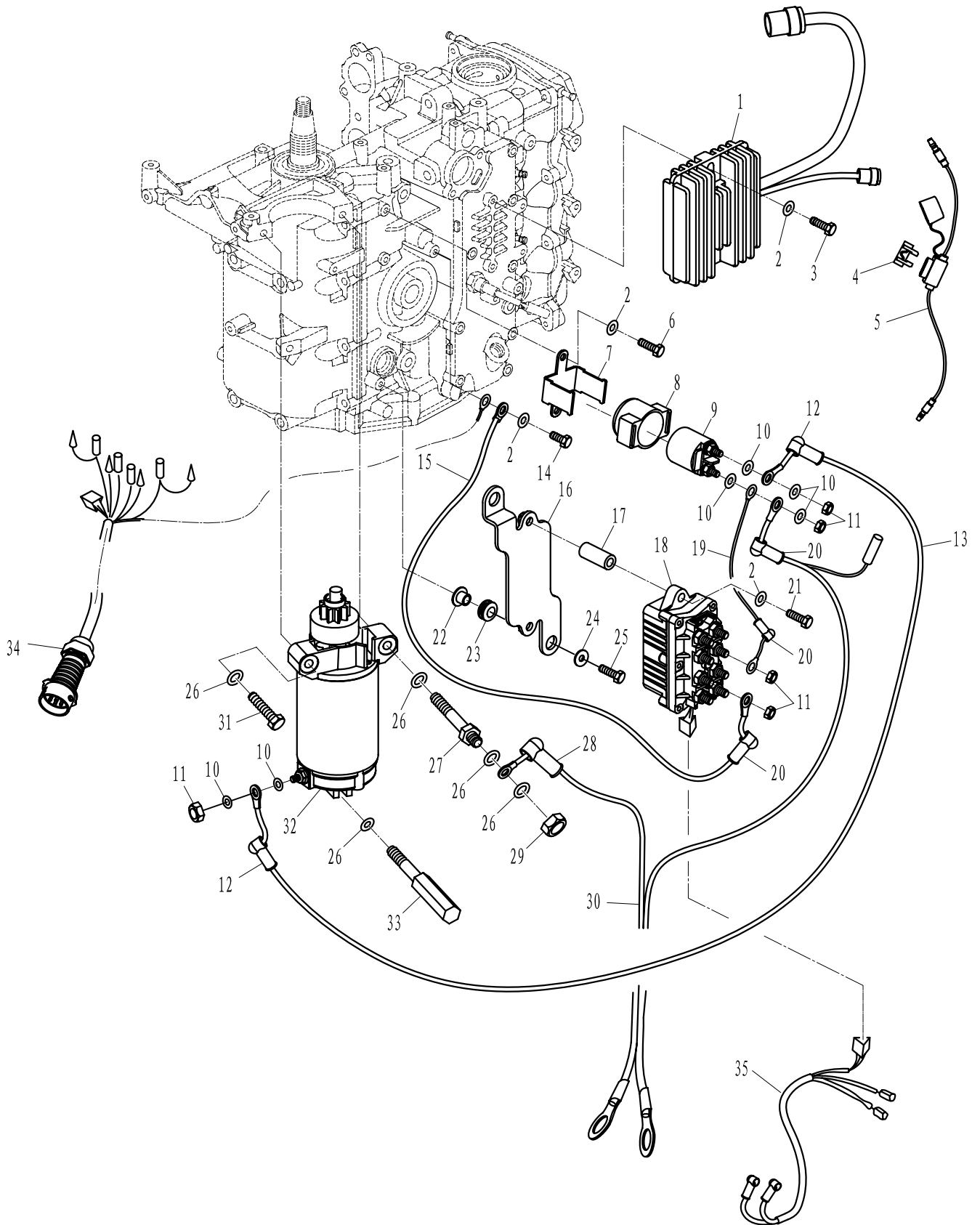
PARTS NAME: ELECTRICAL 2



SN. 参照号码	PART NO. 零件编号	DESCRIPTION 零件名称(中文)	DESCRIPTION 零件名称(英文)	QTY 数量					REMARKS 备注
1	F40-05000029	高压包固定架A	IGNITION COLL BRACKET A	1					
2	F40-05000200	高压包组件	IGNITION COLL ASS'Y	3					
3	GB/T97.1-6	平垫圈6	WASHER 6	6					
4	GB/T5783-M6x25	六角螺栓 M6x25	BOLT M6x25	6					
5	F40-05000030	高压包固定架B	IGNITION COLL BRACKET B	2					
6	GB/T3452.1-φ8xφ1.9	O形圈φ8xφ1.9	O-RING φ8xφ1.9	1					
7	F40-05000400	温控器组件	THERMOSTAT ASSY	1					
8	F15-07010100	机油压力传感器组件	OIL PRESSURE SENSOR	1					
9	F25-05090005	点火模块减震圈衬管	BUSH, IGNITION	3					
10	F25-05090004	点火模块减震圈	BUSH, DAMPING	3					
11	F40-05000009	模块固定板	BRACKET, IGNITION UNIT	1					
12	GB/T96-6	大垫圈6	BIG WASHER 6	3					
13	F40-05000100	点火模块	C. D. I UNIT ASSY	1					
14	T36-04000023	线卡	LINE CLAMP	2					
15	GB/T5783-M6x40	六角螺栓 M6x40	BOLT M6x40	3					
16	F40-05000101	点火控制线束	C. D. I LINE ASSY	1					

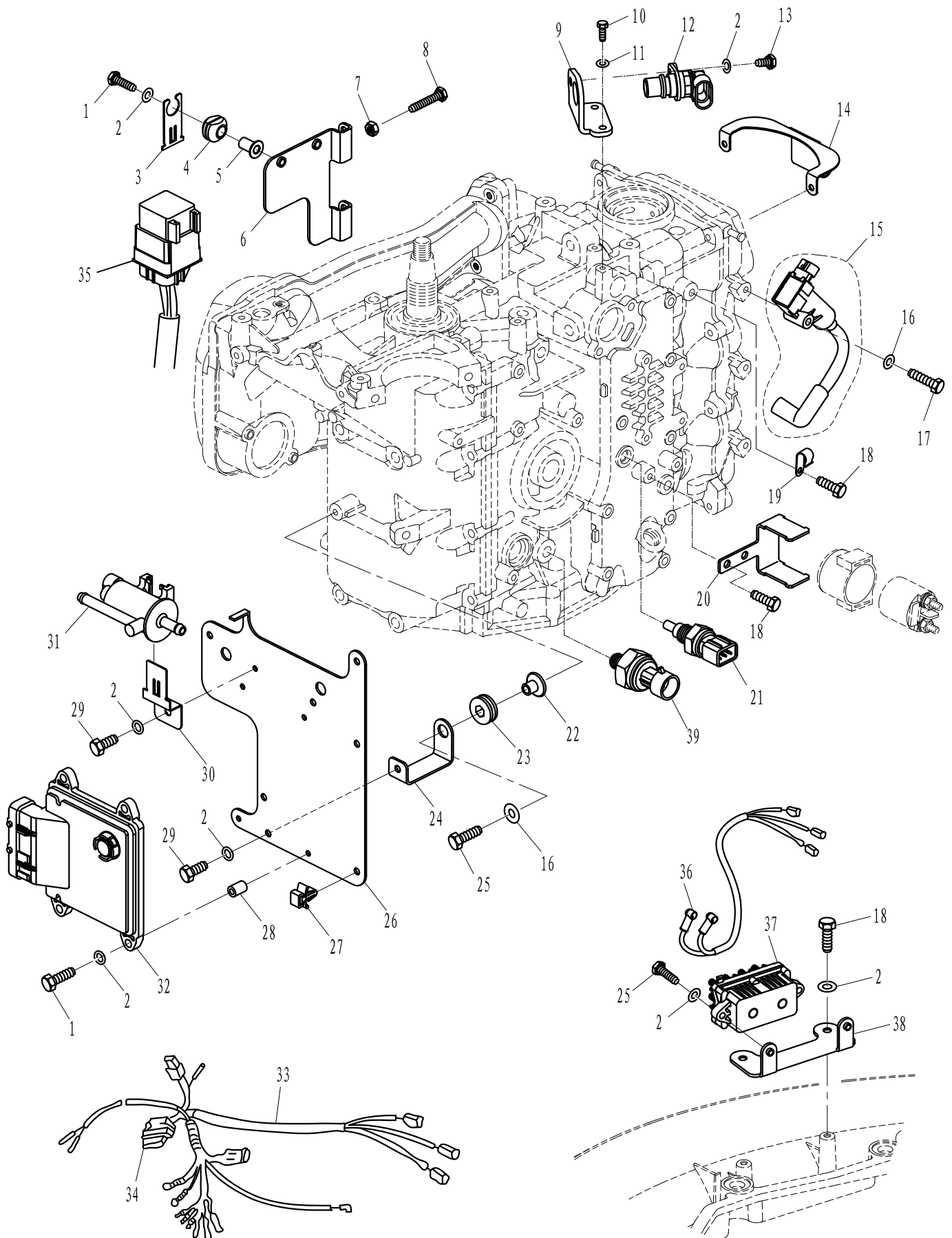
零部件名称: 电气 3

PARTS NAME: ELECTRICAL 3



零部件名称: 电气 4

PARTS NAME: ELECTRICAL 4



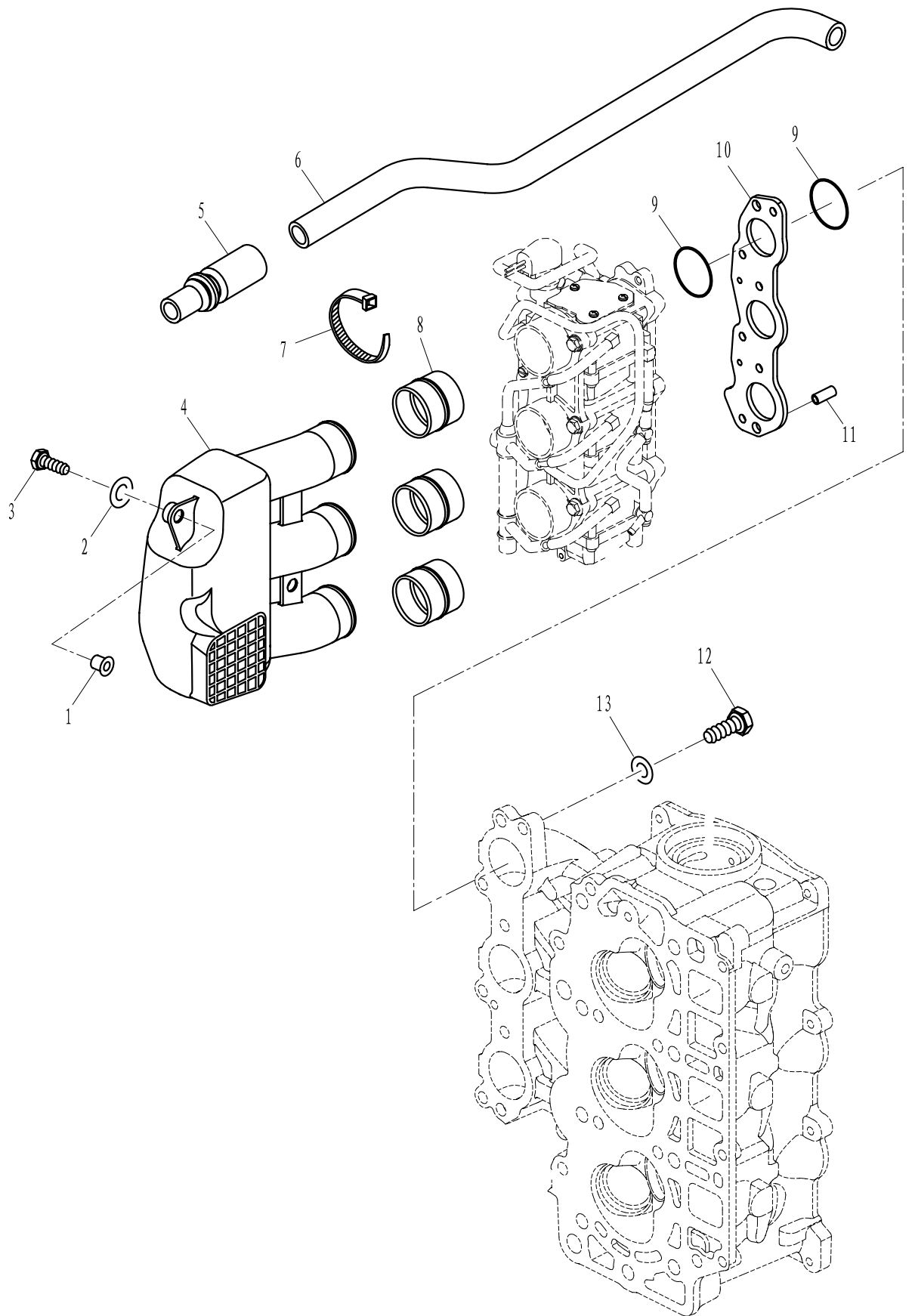
零部件名称: 电气 4

PARTS NAME: ELECTRICAL 4

SN. 参照号码	PART NO. 零件编号	DESCRIPTION 零件名称 (中文)	DESCRIPTION 零件名称 (英文)	QTY 数量					REMARKS 备注
1	GB/T5783-M6x25	六角螺栓 M6x25	BOLT M6x25	6					
2	GB/T97.1-6	平垫圈 6	WASHER 6	13					
3	F40-05091401EI	主继电器固定支架	BRACKET, MAIN RELAY	2					
4	F40-05091402EI	主继电器减震圈	DAMPER, MAIN RELAY	2					
5	T40-05000028	点火器垫管	TUBE, IGNITER	2					
6	F40-05000060EI	主继电器固定板	FIXED PLATE, MAIN RELAY	1					
7	GB/T6170-M6	六角螺母 M6	NUT M6	2					
8	GB/T5783-M6x35	六角螺栓 M6x35	BOLT M6x35	2					
9	F40-05000063EI	传感器固定板	PLATE, SENSOR	1					
10	GB/T5783-M5x16	六角螺栓 M5x16	BOLT M5x16	2					
11	GB/T97.1-5	平垫圈 5	WASHER 5	2					
12	F40-05091600EI	曲轴位置传感器	SENSOR, CRANKSHAFT POSITION	1					
13	GB/T5783-M6x10	六角螺栓 M6x10	BOLT M6x10	1					
14	F40-05000059EI	线卡 C	CLAMP C	1					
15	F40-05090200EI	高压包组件	IGNITION COIL ASSY	3					
16	F8-05000021	大垫片	WASHER	3					
17	GB/T5783-M6x40	六角螺栓 M6x40	BOLT M6x40	3					
18	GB/T5783-M6x16	六角螺栓 M6x16	BOLT M6x16	5					
19	F40-05000003	线卡	CLAMP	1					
20	F40-05000055EI	起动继电器固定架	BRACKET, RELAY	1					
21	F40-05090700EI	水温传感器	SENSOR, WATER TEMPERATURE	1					
22	F15-07000021	进气消音器垫管	BUSHING, INTAKE SILENCER	1					
23	F8-05000007	减震圈	DAMPER	3					
24	F40-05000009-2EI	固定板支架	BRACKET, FIXED PLATE	1					
25	GB/T5783-M6x20	六角螺栓 M6x20	BOLT M6x20	5					
26	F40-05000009-1EI	模块固定板	FIXED PLATE, ECU	1					
27	F40-05000065EI	线卡D	CLAMP D	4					
28	F8-05000006	垫管	BUSHING	4					
29	GB/T5783-M6x12	六角螺栓 M6x12	BOLT M6x12	2					
30	F40-05000049EI	碳罐电磁阀固定板	FIXED PLATE, MAGNETIC VALVE	1					
31	F40-05091500EI	碳罐电磁阀	MAGNETIC VALVE, CARBON POT	1					
32	F40-05090100EI	ECU模块	ECU	1					
33	F40-05001000EI	点火控制线束	C. D. I LINE ASSY	1					
34	F40-05001000-1EI	保险丝 (40A)	FUSE WIRE (40A)	1					
	F40-05001000-2EI	保险丝 (20A)	FUSE WIRE (20A)	1					
	F40-05001000-3EI	保险丝 (15A)	FUSE WIRE (15A)	1					
	F40-05001000-4EI	保险丝 (7.5A)	FUSE WIRE (7.5A)	1					
35	F40-05091400EI	主继电器	MAIN RELAY	2					
36	F40-05001200EI	起翘控制线束	CONNECTION LINE, TILT	1					
37	T85-05030200	继电器组件	RELAY ASSY	1					
38	F40-03000013EI	起翘继电器固定架	FIXED BRACKET, TILT RELAY	1					
39	F40-05000042EI	机油压力传感器	OIL PRESSURE SENSOR	1					

零部件名称: 进气系统 1

PARTS NAME: INTAKE SYSTEM 1

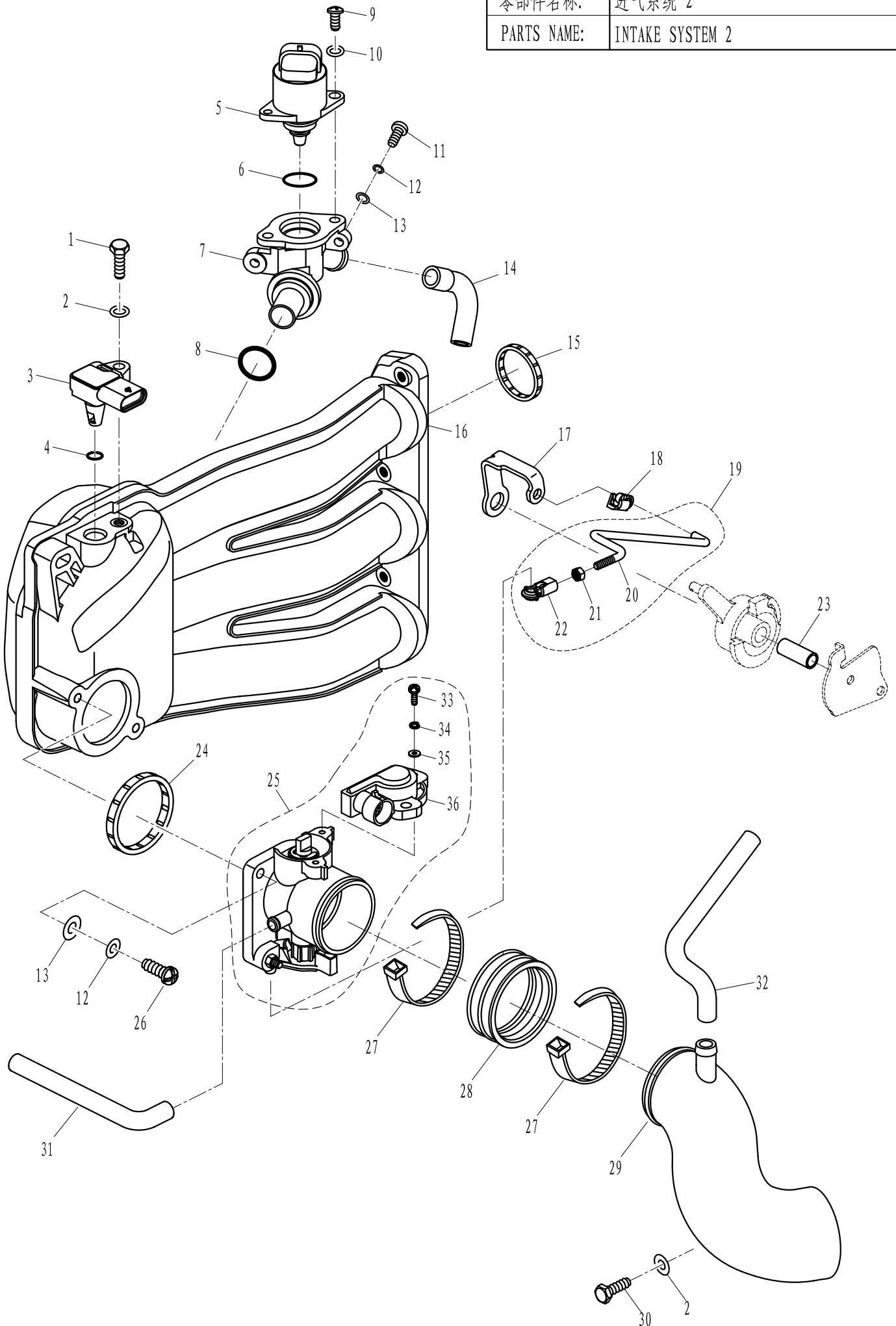


零部件名称:

进气系统 2

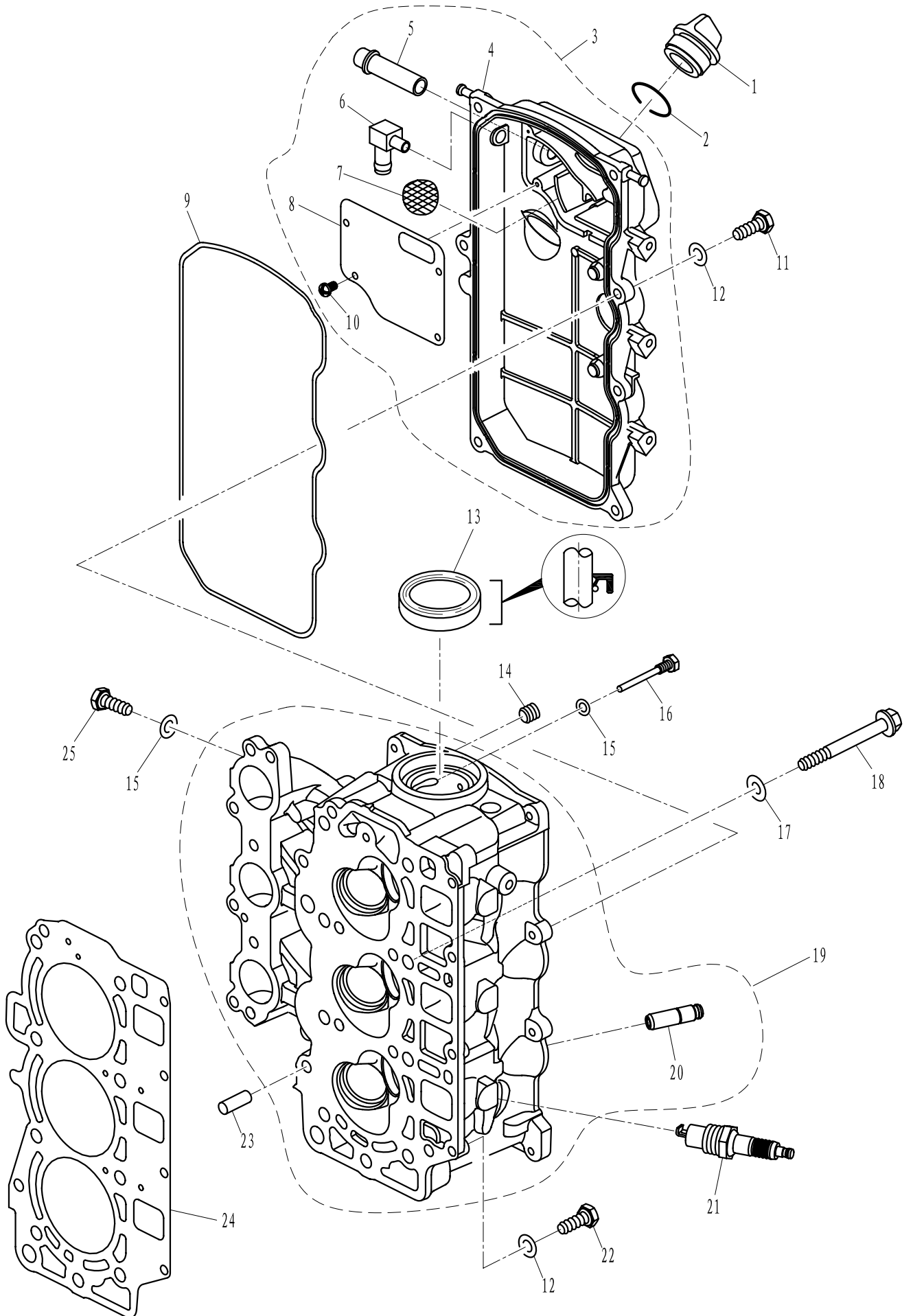
PARTS NAME:

INTAKE SYSTEM 2



零部件名称: 气缸头

PARTS NAME: CYLINDER

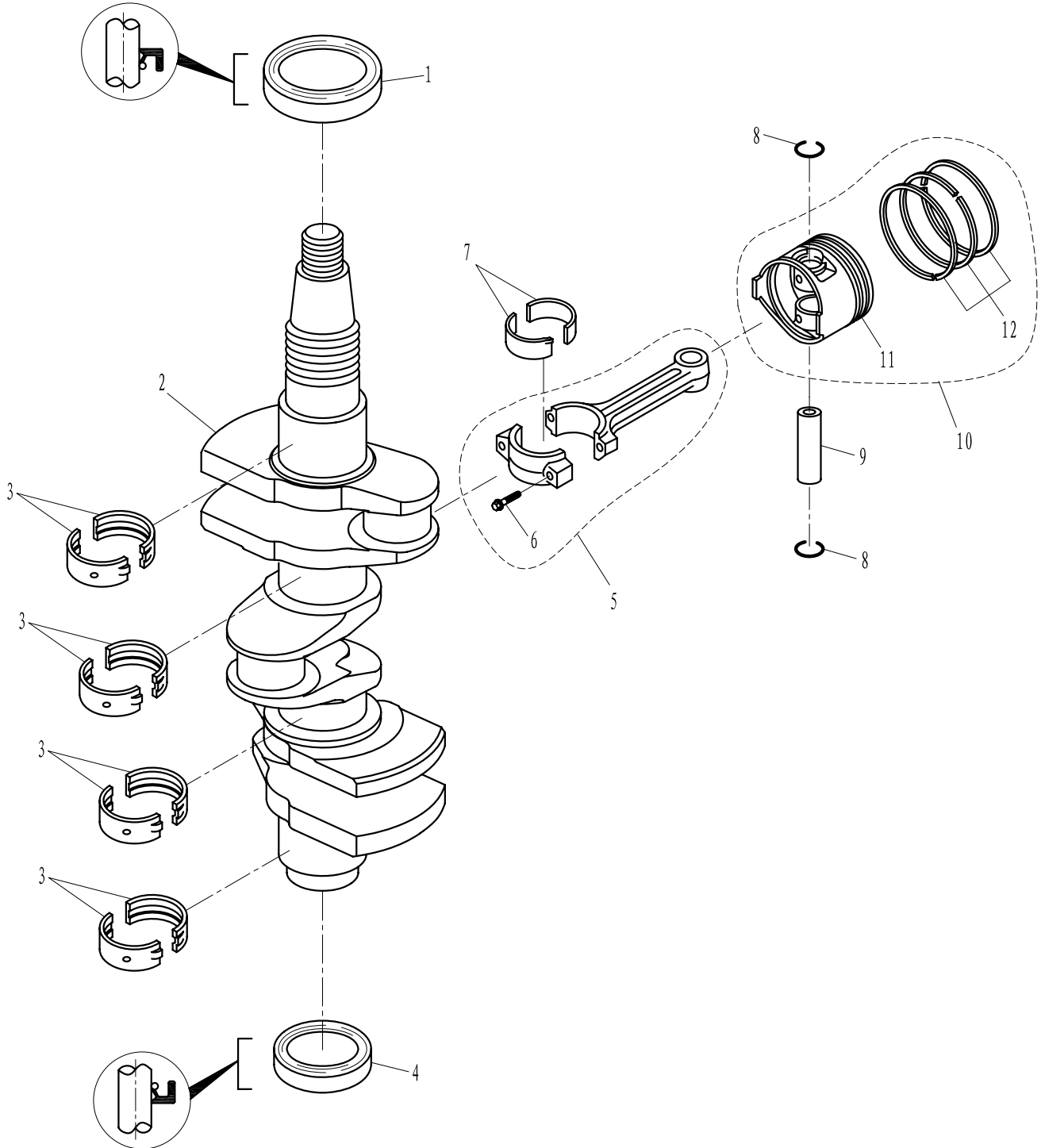


零部件名称:

曲轴&活塞

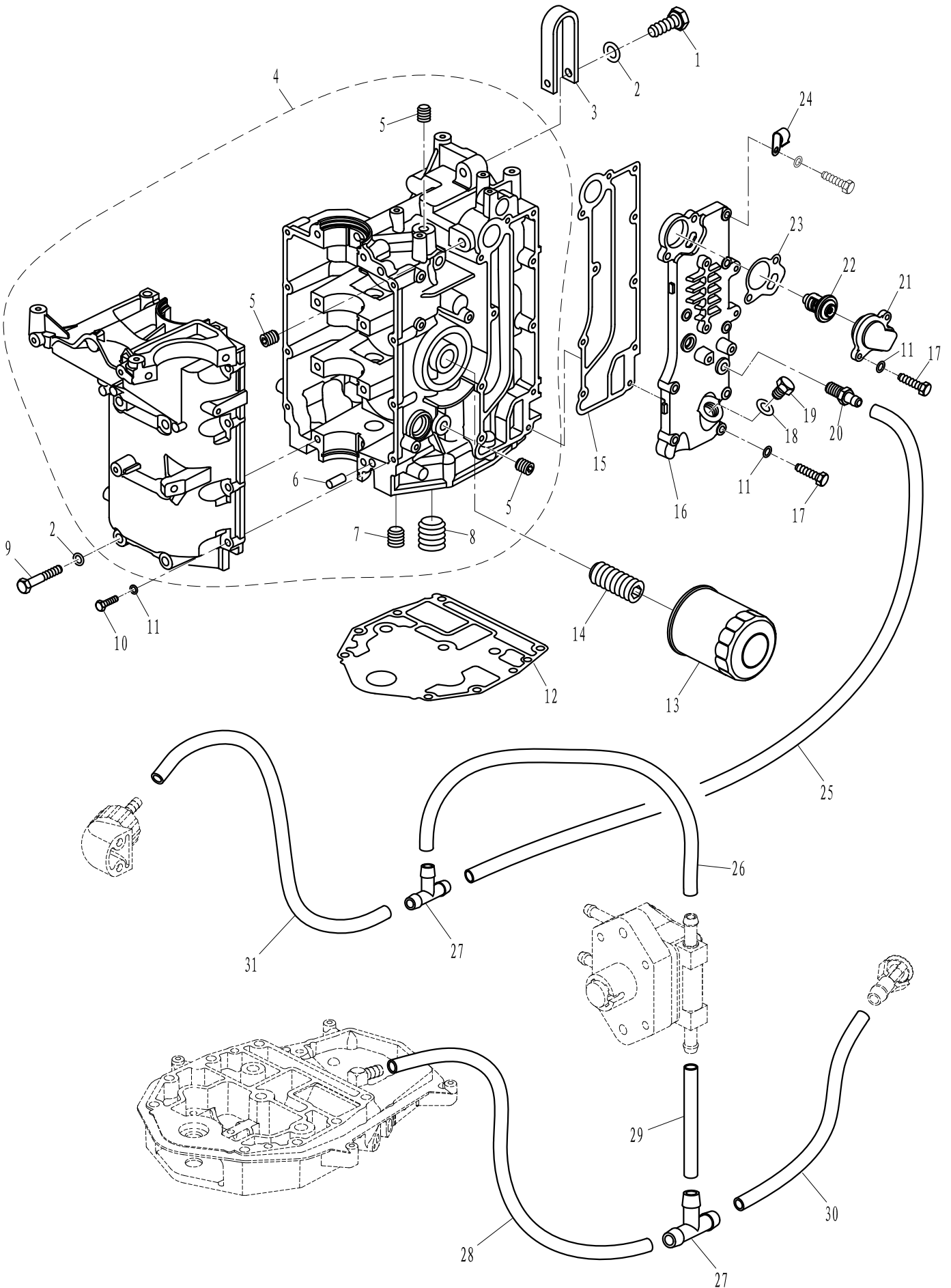
PARTS NAME:

CRANKSHAFT & PISTON



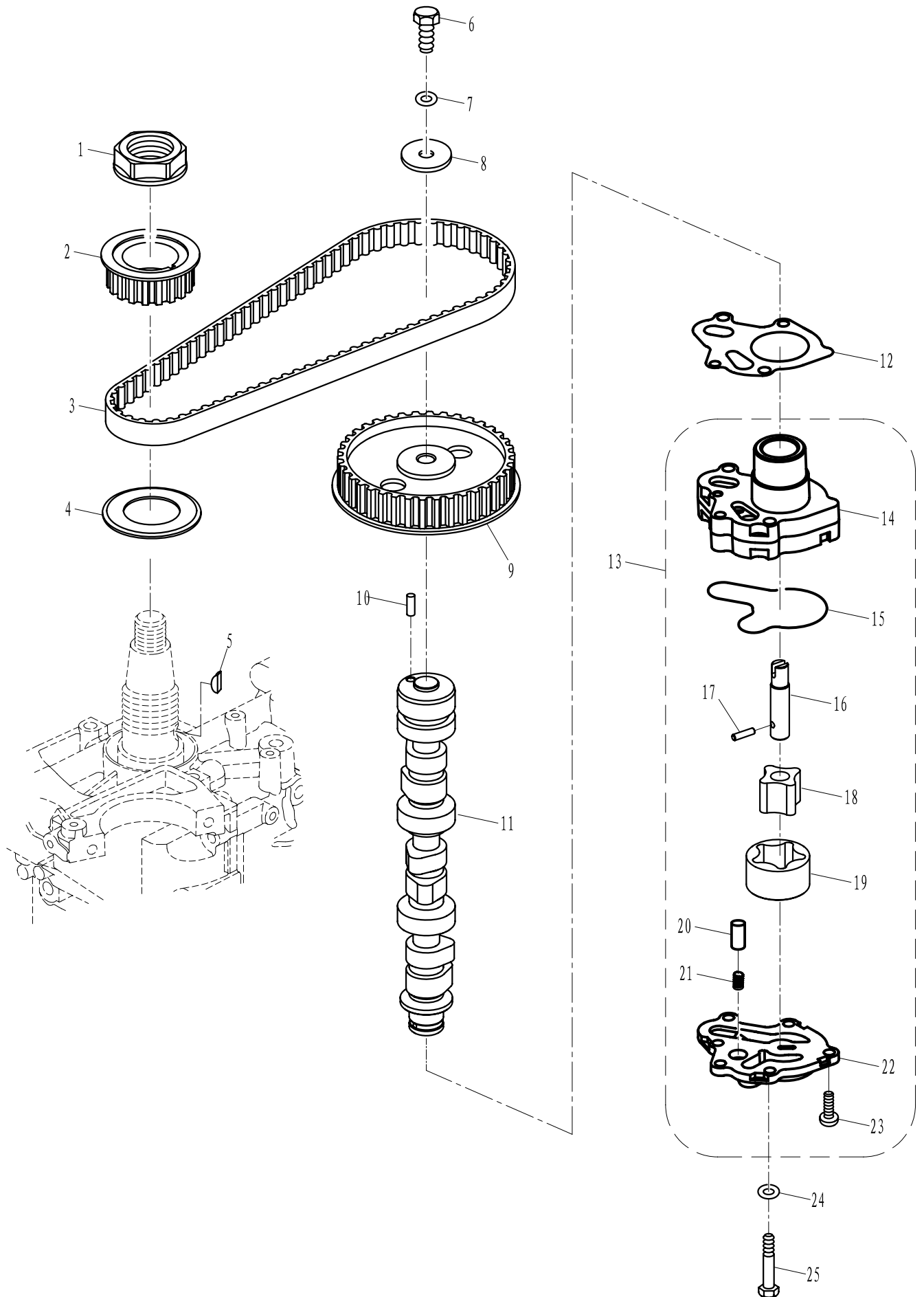
零部件名称: 曲轴箱

PARTS NAME: CRANKCASE



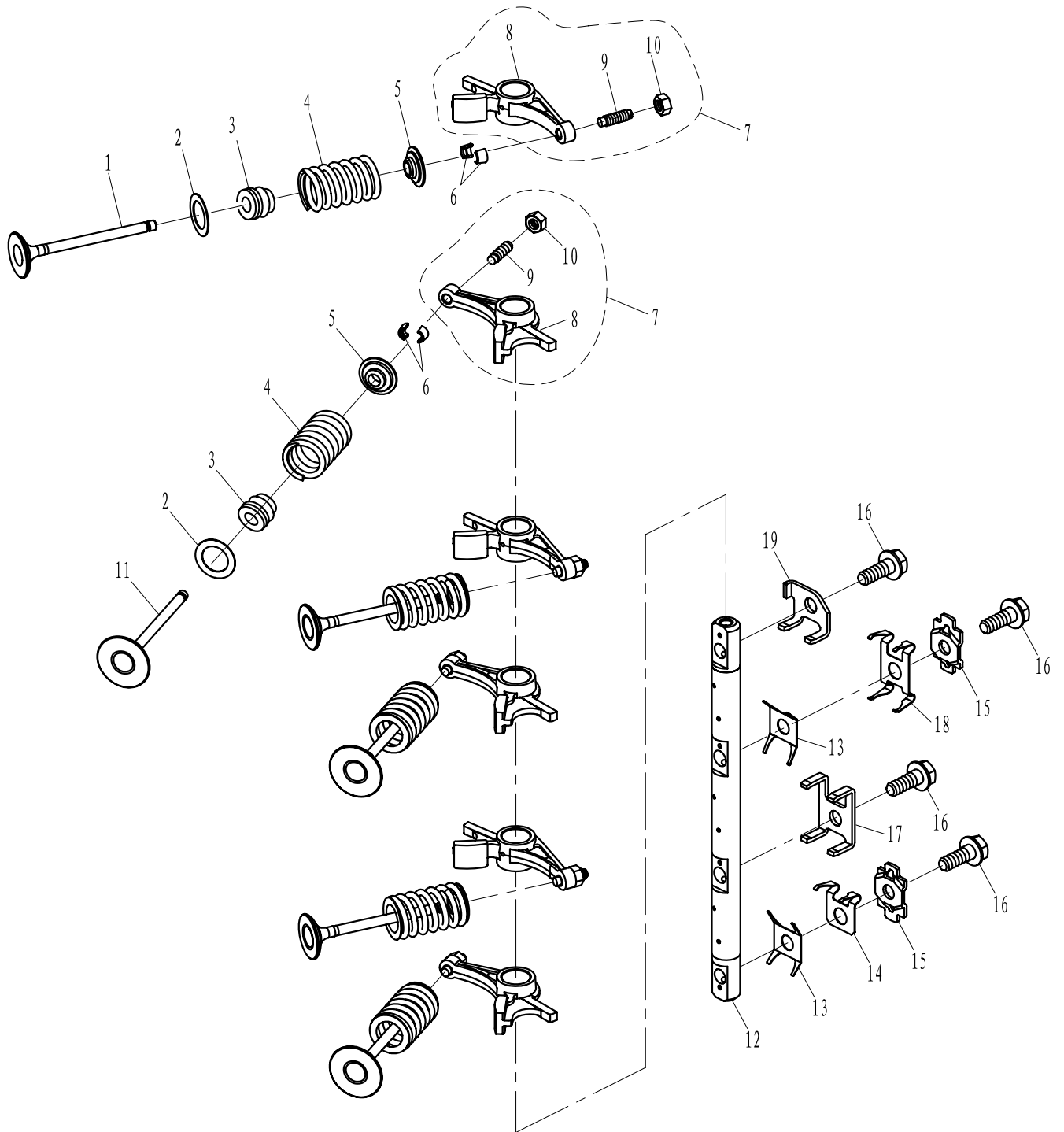
零部件名称: 油泵

PARTS NAME: OIL PUMP



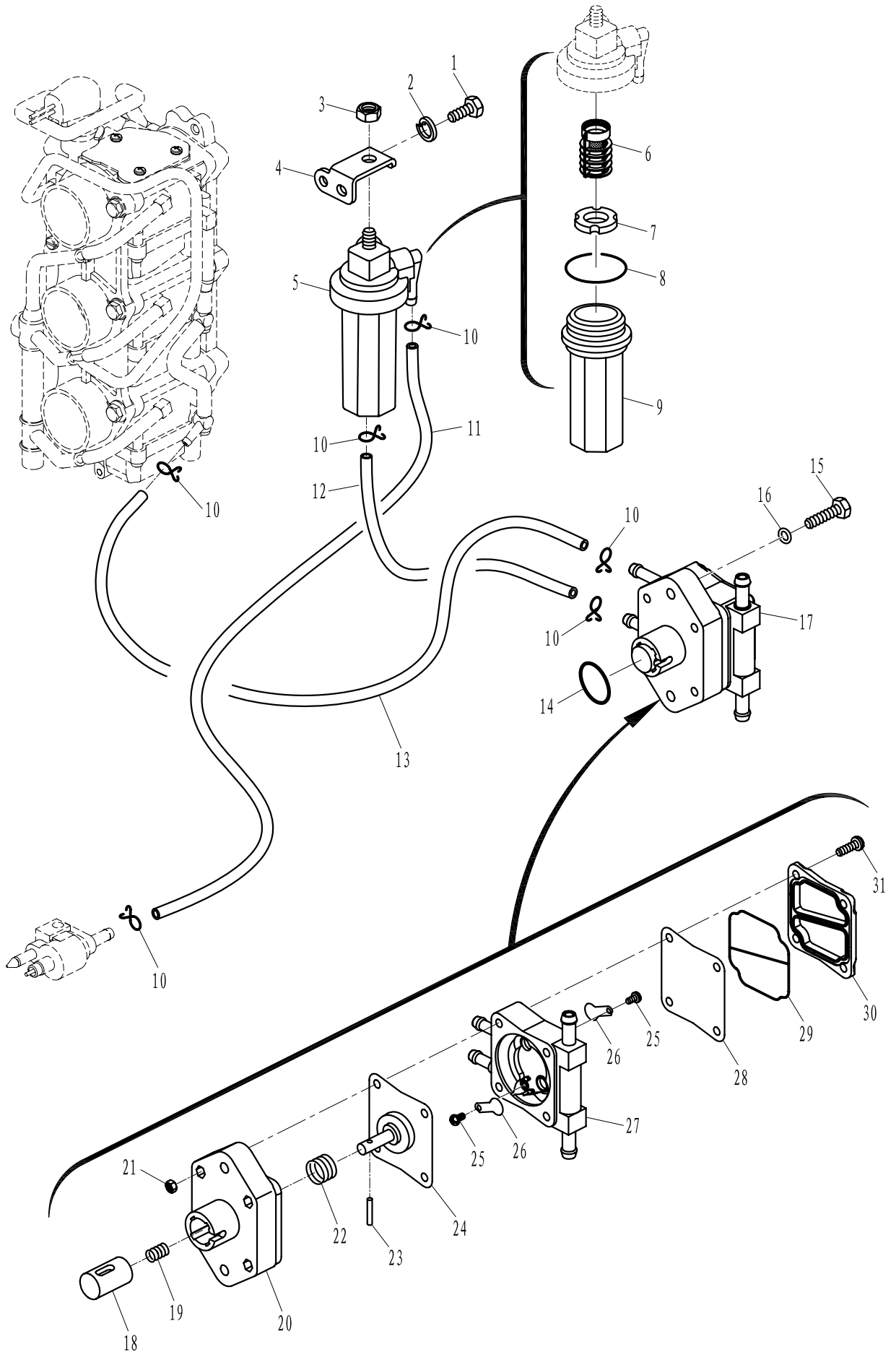
零部件名称: 阀门

PARTS NAME: VALVE



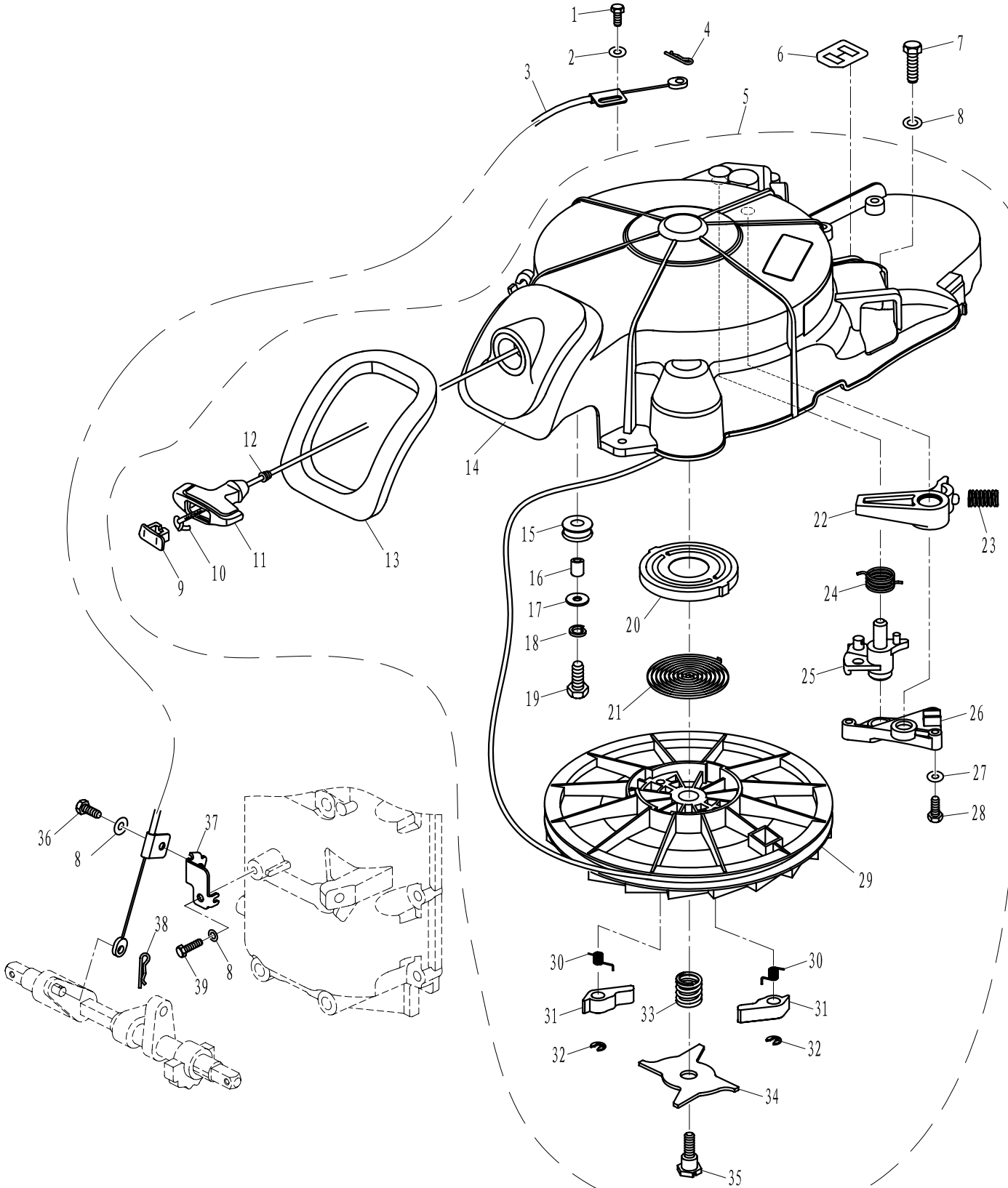
零部件名称: 燃油系统

PARTS NAME: FUEL SYSTEM



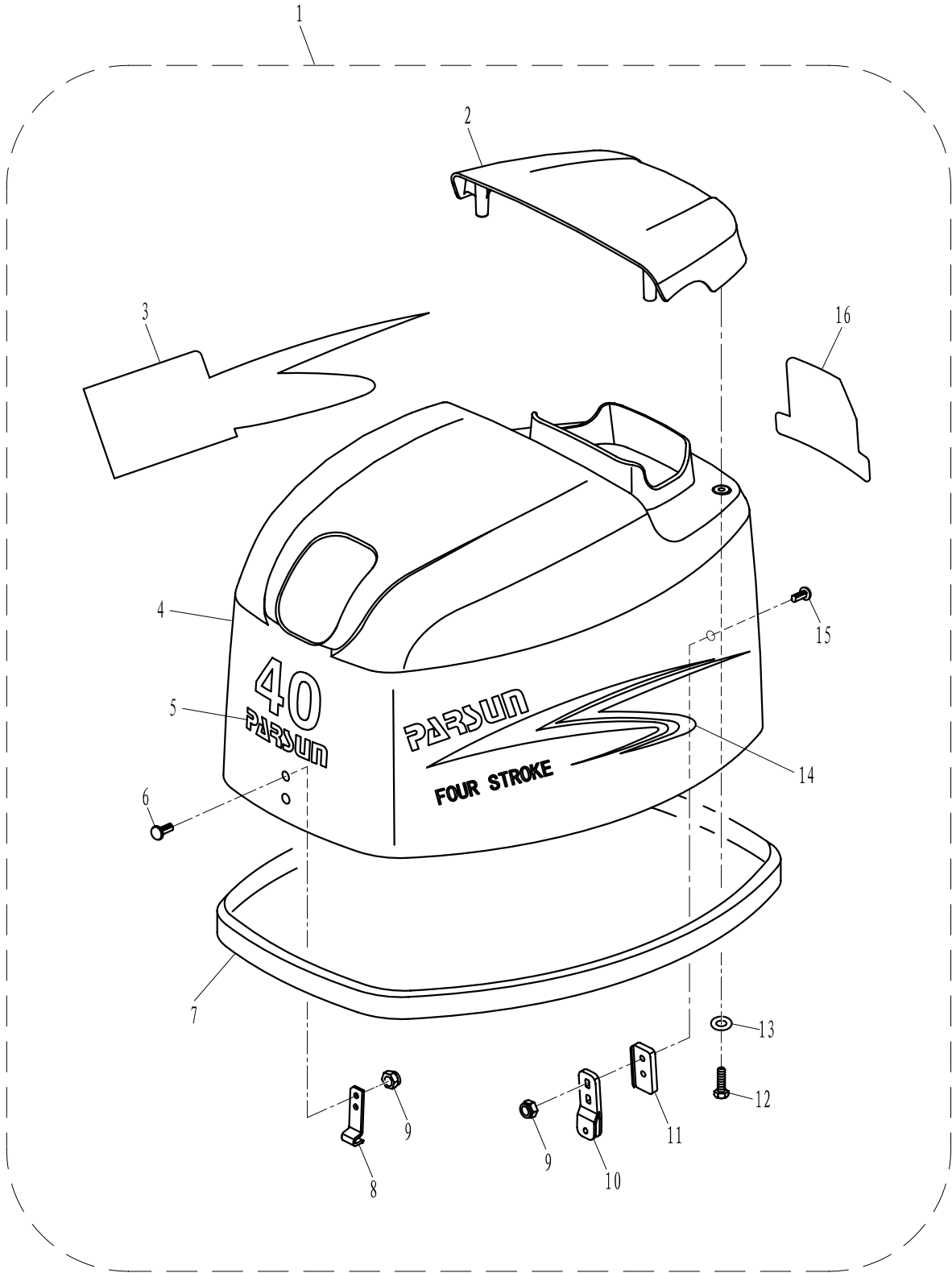
零部件名称: 起动机

PARTS NAME: STARTER

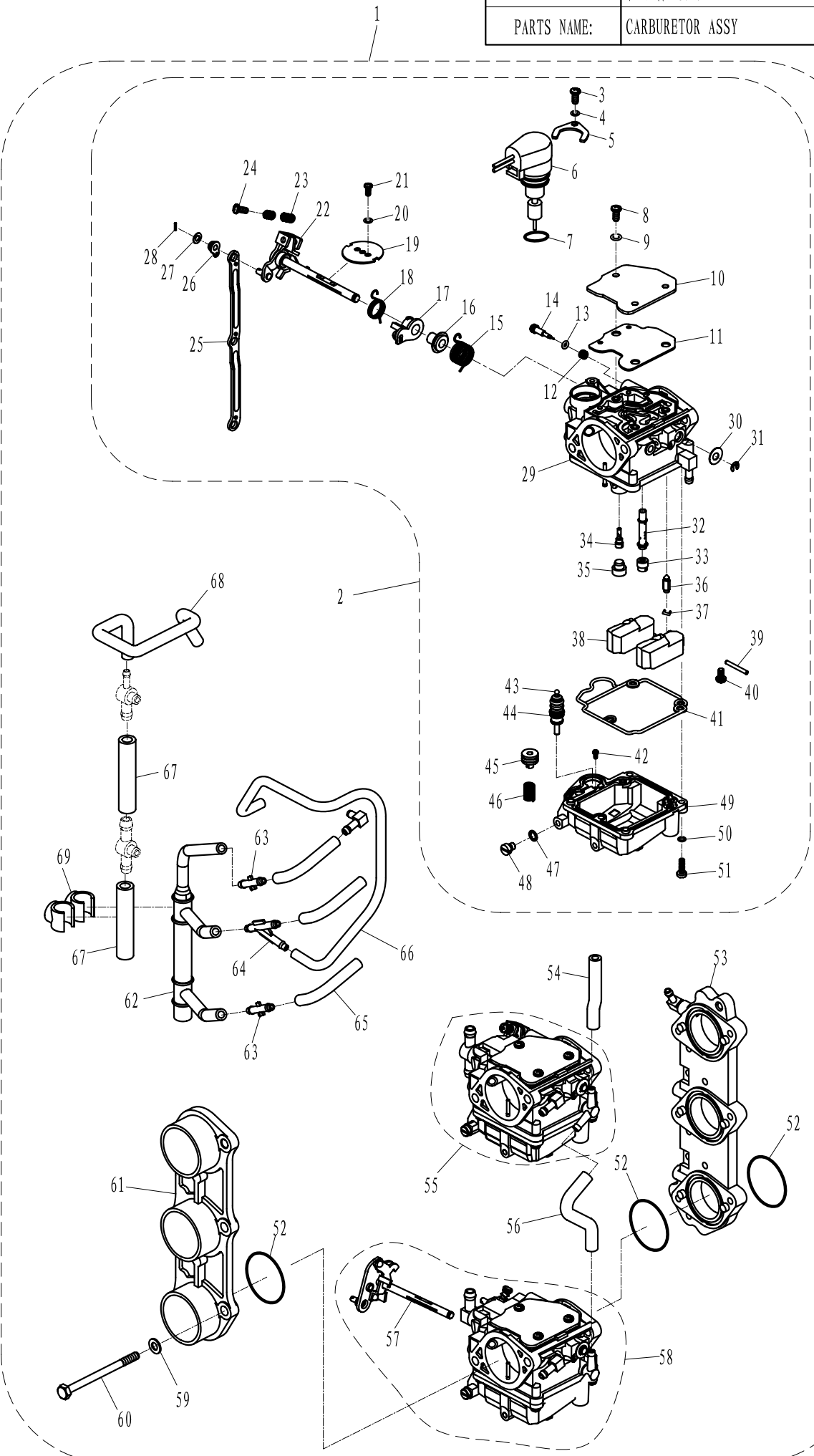


零部件名称: 顶罩组件

PARTS NAME: TOP COWLING ASSY



零部件名称:	化油器总成
PARTS NAME:	CARBURETOR ASSY



零部件名称:

化油器总成

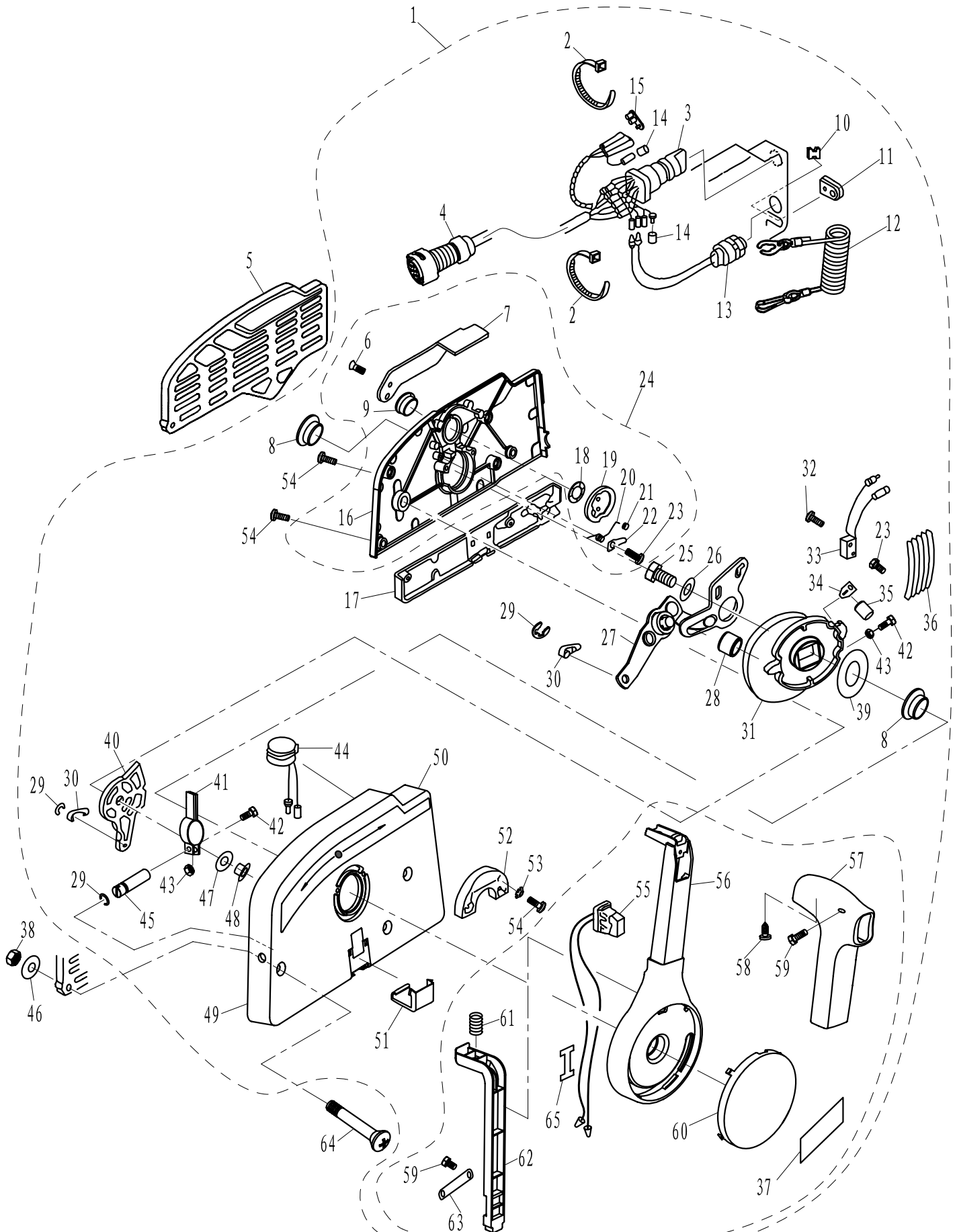
PARTS NAME:

CARBURETOR ASSY

SN. 参照号码	PART NO. 零件编号	DESCRIPTION 零件名称(中文)	DESCRIPTION 零件名称(英文)	QTY 数量					REMARKS 备注
1	F40-05060000	化油器总成	CARBURETOR ASSY	1					
2	F40-05061000	化油器A	CARBURETOR A	1					
3	GB/T818-M4x8	十字槽盘头螺钉 M4x8	SCREW M4x8	1					
4	GB/T93-4	弹性垫圈 4	SPRING-WASHER 4	1					
5	F40-05061402	电子加浓阀固定板	ENRCHING VALVE PLATE	1					
6	F40-05061400	电磁加浓阀组件	ENRCHING VALVE ASSY	1					
7	F40-05061401	电磁加浓阀O型圈	ENRCHING VALVE O-RING	1					
8	GB/T818-M4x10	十字槽盘头螺钉 M4x10	SCREW M4x10	9					
9	GB/T93-4	弹性垫圈 4	SPRING-WASHER 4	9					
10	F40-05061001	面板	PLATE	3					
11	F40-05061002	面板密封垫	PLATE HERMETIC MAT	3					
12	F40-05061019	怠速螺钉弹簧	SPRING, AIR ADJUSTING	3					
13	F40-05061020	怠速螺钉O型圈	SCREW, AIR ADJUSTING O-RING	3					
14	F40-05061021	怠速螺钉	SCREW, AIR ADJUSTING	3					
15	F40-05061006	油门摆杆扭簧	SPRING, SWING LINK	3					
16	F40-05061005	加浓阀衬管	ENRCHING VALVE TUBE	3					
17	F40-05061004	加浓阀摇臂	ENRCHING VALVE FINGER	3					
18	F40-05061003	加浓阀扭簧	ENRCHING VALVE SPRING	3					
19	F40-05061007	油门挡板	APRON, ACCELERATOR	3					
20	GB/T93-3	弹性垫圈 3	SPRING-WASHER 3	6					
21	GB/T818-M3x6	十字槽盘头螺钉 M3x6	SCREW M3x6	6					
22	F40-05061200	油门摆杆组件	ACCELERATOR BAR ASSY	2					
23	F40-05061203	油门止动螺钉弹簧	BOLT SPRING, THORTTEL						
24	GB/T818-M4X10	十字槽盘头螺钉 M4X10	SCREW M4X10	3					
25	F40-05060003	油门连接杆	CONNECTING ROD, ACCELERATOR	1					
26	F40-05060004	连接杆尼龙圈	WASHER NYLON	3					
27	GB/T97.1-4	平垫圈 4	WASHER 4	3					
28	GB/T91-1.2X10	开口销1.2X10	PIN, COTTER 1.2X10	3					
29	F40-05061100	化油器本体	CARBURETOR BODY	1					
30	F40-05061008	摆杆垫圈	WASHER OSCILLATING BAR	3					
31	GB/T896-6	开口挡圈 6	CIRCLIP 6	3					
32	F40-05061015	主喷管	MIAN NOZZLE	3					
33	F40-05061016	主量孔	MAIN JET	3					
34	F40-05061017	怠速量孔	JET, AIR ADJUSTING	3					
35	F40-05061018	胶帽	RUBBER CAP	3					
36	F40-05061011	针阀	NEEDLE VALVE	3					
37	F40-05061012	针阀弹簧	SPRING, NEEDLE VALVE	3					
38	F40-05061013	浮子	FLOAT	3					
39	F40-05061014	浮子销	PIN, FLOAT	3					
40	GB/T818-M4x8	十字槽盘头螺钉 M4x8	SCREW M4x8	3					
41	F40-05061014	油杯密封圈	SEAL, OIL CUP	3					
42	GB/T818-M2X3	十字槽盘头螺钉 M2X3	SCREW M2X3	3					
43	F40-05061009	加浓阀顶杆	ENRCHING VALVE EJECTOR ROB	3					

零部件名称: 操纵盒组件

PARTS NAME: CONTROL BOX ASSY



零部件名称:

操纵盒组件

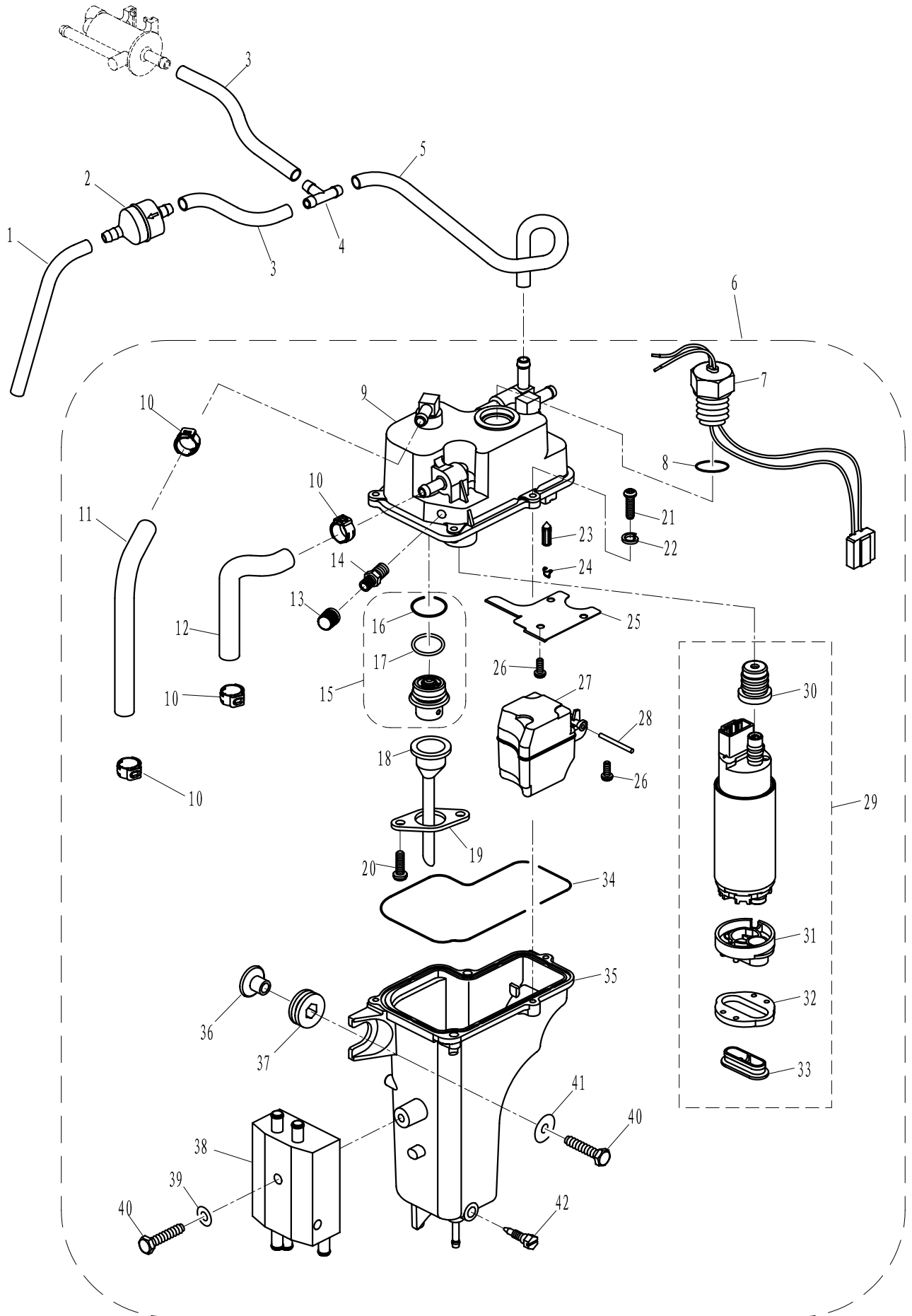
PARTS NAME:

CONTROL BOX ASSY

SN. 参照号码	PART NO. 零件编号	DESCRIPTION 零件名称(中文)	DESCRIPTION 零件名称(英文)	QTY 数量				REMARKS 备注
1	T85-0801000W	操纵盒组件	CONTROL BOX ASSY	1				FW
	F40-13000000EI	操纵盒组件	CONTROL BOX ASSY					EFI
2	HT2.5x60	尼龙扎带	CLAMP	2				
3	F15-13000200W	起动开关组件	STARTING SWICH ASSY	1				
	F40-13000200EI	起动开关组件	STARTING SWICH ASSY	1				EFI
4	T85-08010100	操纵线索	CONTROL CABLE	1				
	F40-08010100EI	操纵线索	CONTROL CABLE	1				EFI
5	F15-11000002W	操纵盒安装板	PLATE, CONTROL BOX	1				
6	GB/T819.2-M5x12	十字槽沉头螺钉 M5x12	SCREW PAN HEAD M5x12	2				
7	F15-13020007W	油门微调手柄	THROTTLE HANDLE, INCHING	1				
8	F15-13000005W	凸轮机构衬套	BUSH, CAM	2				
9	F15-13020006W	微调手柄衬套	BUSH, HANDLE	1				
10	F15-11000001W	钢索橡胶垫块	BLOCK, RUBBER	1				
11	F15-13000014W	线索护套	JACKET, CABLE	1				
12	F4-01090401	引擎停止安全索	STOPER, HANG ROPE ASSY	1				
13	F15-13000400W	急停开关组件	ENGINE STOP SWICH ASSY	1				
14	F15-13000203W	绝缘堵头 B	INSULATED PLUG "B"	2				
15	F15-13000202W	绝缘堵头 A	INSULATED PLUG "A"	1				
16	F15-13020001W	操纵盒盖	COVER , CONTROL BOX	1				
17	F15-13000013W	操纵盒小盖板	SMALL COVER , CONTROL BOX	1				
18	F15-13020005W	波形垫圈 B	WASHER "B" , WAVE	1				
19	F15-13020100W	锁紧圆盘组件	LOCKED DISK ASSY	1				
20	F15-13020002W	扭簧	TORSION SPRING	1				
21	F15-13020003W	互锁滑轮	EACH LOCKED PULLEY	1				
22	F15-13020004W	滑轮弹簧压板	PLATE , PULLEY SPRING	1				
23	GB/T818-M4x6	十字槽盘头螺钉 M4x6	PAN HEAD SCREW M4x6	2				
24	F15-13020000W	操纵盒盖组件	COVER ASSY, CONTROL BOX	1				
25	GB/T5783-M8x30	六角螺栓 M8x30	BOLT M8x30	1				
26	GB/T97.1-8	平垫圈 8	WASHER 8	1				
27	T20-13000500W	油门控制机构	MACHINE, CONTROL ACCELEROGRAPH	1				
28	F15-13000007W	销轴垫圈	WASHER	1				
29	GB/T896-6	开口挡圈 6	PIN , COTTER 6	3				
30	F25-07000007W	操控钢索接头 B	CONTROL CABLE TIE-IN "B"	2				
31	F15-13000002W	凸轮机构	CAM MECHANISM	1				
32	GB/T818-M3x14	十字槽盘头螺钉M3x14	PAN HEAD SCREW M3X14	2				
33	F15-13000800W	微动开关	INCHING SWITCH	1				
34	F15-13000003W	档位弹簧片压板	PLATE	1				
35	F15-13000004W	档位滑轮	PULLEY	1				
36	F15-13000001W	档位弹簧片 B	SHIFT SPRING PLATE "B"	5				
37	F15-12000016W	标贴 16	MARK 16	1				
38	GB/T6170-M6	六角螺母 M6	NUT M6	3				
39	F15-13000008W	凸轮机构减磨片	WEARABLE PLATE , CAM MACHANISM	1				
40	F15-13000700W	变档摆杆	SHIFT SWING LINK	1				

零部件名称: 电动燃油泵组件

PARTS NAME: ELECTRIC OIL PUMP ASSY



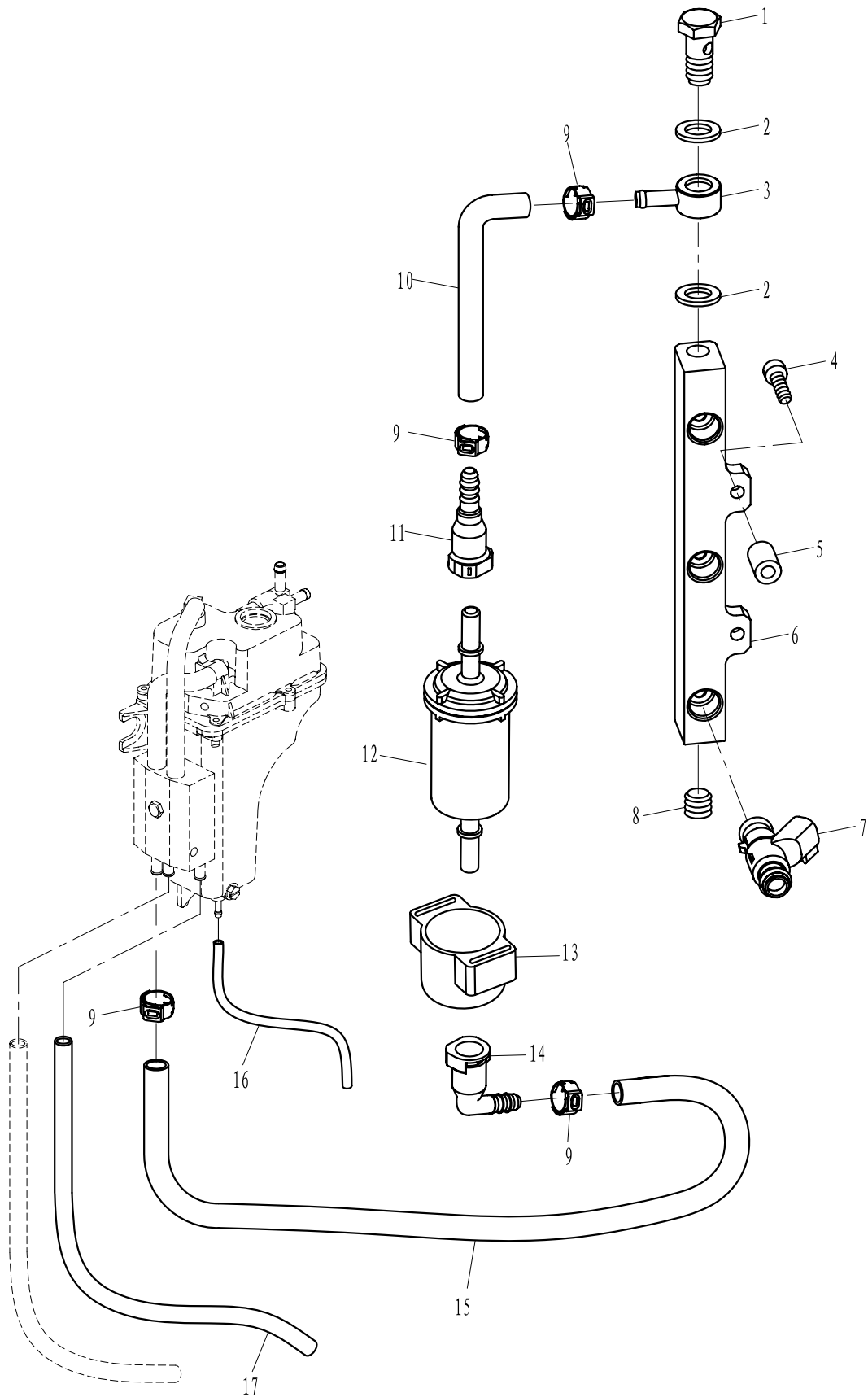
零部件名称: 电动燃油泵组件

PARTS NAME: ELECTRIC OIL PUMP ASSY

SN. 参照号码	PART NO. 零件编号	DESCRIPTION 零件名称(中文)	DESCRIPTION 零件名称(英文)	QTY 数量				REMARKS 备注
1	F40-05000069EI	回气管 C $\phi 5x\phi 10x100$	AIR PIPE C	1				
2	T5-04000200	单向阀	CHECK VALVE	1				
3	F40-05000070EI	回气管 D $\phi 5x\phi 10x150$	AIR PIPE D	2				
4	F15-05000011	三通	THREE WAY	1				
5	F40-05000051EI	回气管 B	AIR PIPE B	1				
6	F40-05100000EI	电动燃油泵组件	OIL PUMP ASSY	1				
7	F40-05010400EI	油泵接头组件	JOINT ASSY, OIL PUMP	1				
8	GB/T3452.1-15.8x3.1	O型圈15.8x3.1	O-RING 15.8x3.1	1				
9	F40-05100100EI	电动燃油泵本体组件	BODY ASSY, OIL PUMP	1				
10	S7133- $\phi 13.3$	单耳无极卡箍	SINGLE LUG CLAMP	4				
11	F40-05100010EI	油泵定型管A	SHAPED TUBE A, OIL PUMP	1				
12	F40-05100004EI	油泵定型管B	SHAPED TUBE B, OIL PUMP	1				
13	F40-05100202EI	检测阀盖帽	CAP, DETECTION VALVE	1				
14	F40-05100201EI	油泵检测阀	DETECTION VALVE, OIL PUMP	1				
15	F40-05100600EI	压力调节阀	PRESSURE REGULATOR VALVE	1				
16	F40-05100601EI	压力调节阀O形圈	O-RING, PRESSURE REGULATOR VALVE	1				
17	F40-05100600-1EI	压力调节阀尼龙垫圈	WASHER, PRESSURE REGULATOR VALVE	2				
18	F40-05100602EI	泄油导管	CONDUIT TUBE	1				
19	F40-05100603EI	压力阀压板	PALTE, PRESSURE REGULATOR VALVE	1				
20	GB/T818-M5x12	十字槽盘头螺钉 M5x12	SCREW M5x12	2				
21	GB/T818-M4x16	十字槽盘头螺钉 M4x16	SCREW M4x16	5				
22	GB/T93-4	弹性垫圈 4	SPRING WASHER 4	5				
23	F40-05100301EI	针阀	NEEDLE VALVE	1				
24	F40-05100302EI	针阀卡簧	CLAMP SPRING, NEEDLE VALVE	1				
25	F40-05100003EI	挡板	BAFFLE PLATE	1				
26	GB/T818-M4x8	十字槽盘头螺钉 M4x8	SCREW M4x8	4				
27	F40-05100001EI	浮子	FLOATER	1				
28	F40-05100002EI	浮子销	PIN, FLOATER	1				
29	F40-05100500EI	油泵组件	OIL PUMP ASSY	1				
30	F40-05100501EI	油泵口胶套	RUBBER SLEEVE, OIL PUMP	1				
31	F40-05100504EI	油泵垫块	PADDING BLOCK, OIL PUMP	1				
32	F40-05100503EI	油泵橡胶垫	RUBBER PAD, OIL PUMP	1				
33	F40-05100502EI	油泵滤网	FILTER NET, OIL PUMP	1				
34	F40-05100704EI	油杯密封圈	SEAL, OIL CAP	1				
35	F40-05100701EI	电动燃油泵油杯组件	OIL CAP, ELECTRIC PUMP	1				
36	F25-05090005	点火模块减震圈衬管	BUSHING, DAMPER	3				
37	F25-05090004	点火模块减震圈	DAMPER	3				
38	F40-05100800EI	燃油冷却器	COOLER, FUEL	1				
39	GB/T97.1-6	平垫圈 6	WASHER 6	1				
40	GB/T5783-M6x25	六角螺栓 M6x25	BOLT M6x25	4				
41	GB/T96-6	大垫圈 6	BIG WASHER 6	3				
42	F40-05100703EI	油杯放油螺钉	DRAIN BOLT, OIL CUP	1				

零部件名称: 燃油共轨

PARTS NAME: FUEL COMMON RAIL



零部件名称:

液压起翘系统

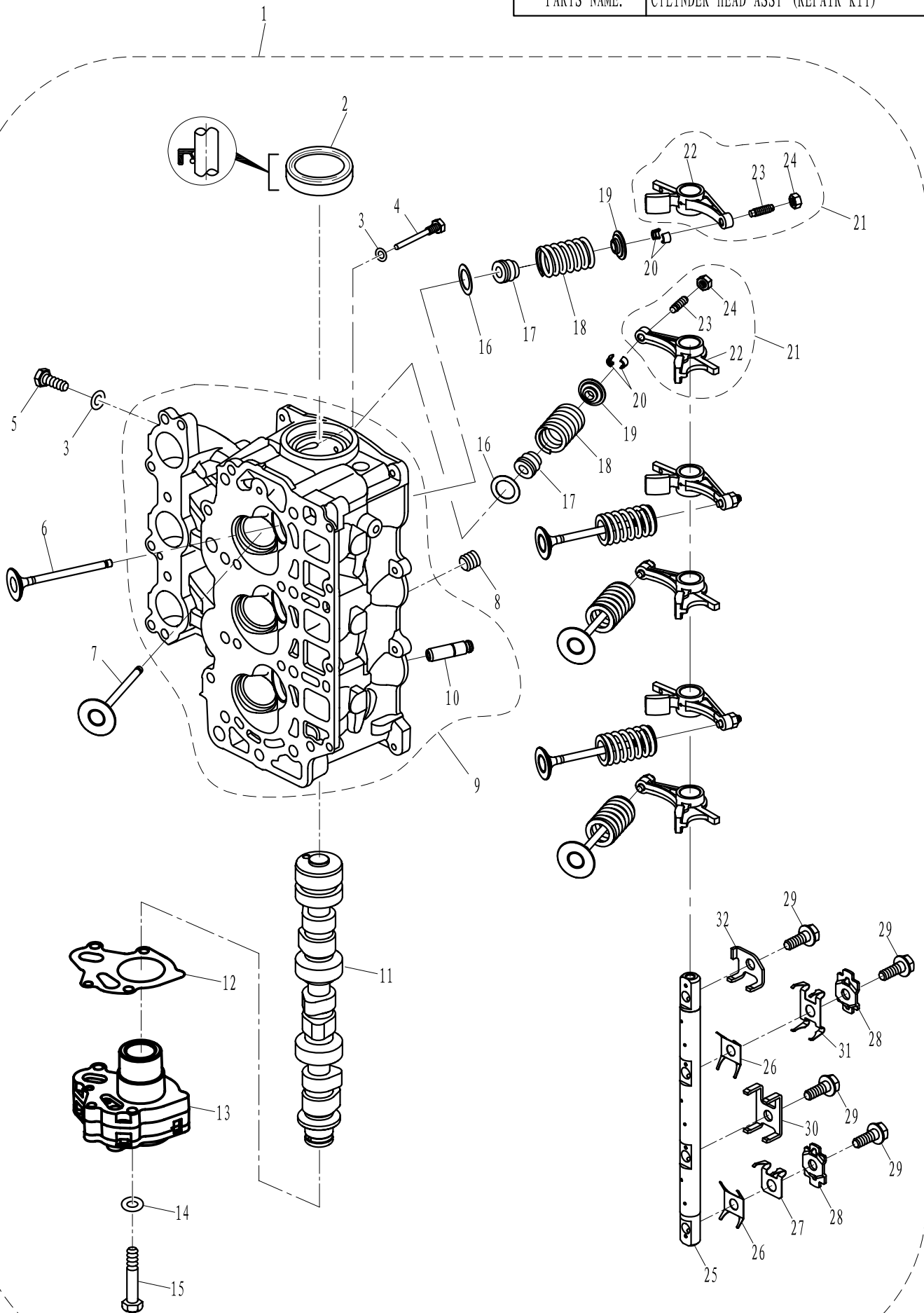
PARTS NAME:

POWER TRIM & TILT ASSY

SN. 参照号码	PART NO. 零件编号	DESCRIPTION 零件名称(中文)	DESCRIPTION 零件名称(英文)	QTY 数量				REMARKS 备注
1	T40-10000000	液压起翘组件	HYDRAULIC TILT ASSY	1				
2	T40-10010000	角度定位气缸组件	LOCATING CYLINDER ASSY	1				
3	T40-10030000	角度定位气缸活塞组件	LOCATING CYLINDER&PISTON ASSY	1				
4	T40-10030202	推杆油封15x23x5	OIL SEAL 15x23x5	1				
5	T40-10030200	活塞螺母	PISTON NUT	1				
6	JISB 2407 P15T2	O形圈挡圈P15T2	CIRCLIP P15T2	1				
7	JISB 2401 P15	推杆O形圈 $\phi 14.8 \times \phi 2.4$	O-RING $\phi 14.8 \times 2.4$	1				
8	JASO F404 24-045	活塞螺母O形圈 $\phi 44.7 \times \phi 2.4$	O-RING $\phi 44.7 \times 2.4$	1				
9	T40-10030100	角度定位气缸推杆	SHAFT, TILT ASSY	1				
10	T40-10030301	推杆活塞	PISTON	1				
11	GB/T879.4- $\phi 1.5 \times 12$	标准型卷制弹性圆柱销 $\phi 1.5 \times 12$	PIN $\phi 1.5 \times 12$	1				
12	T85-06020202	轴承钢珠4	BALL 4	12				
13	T85-06020005	弹簧座	SEAT, SPRING	7				
14	T40-10030001	推杆活塞压缩弹簧	SPRING	5				
15	T40-10030002	活塞垫片	WASHER	1				
16	T40-10030003	活塞垫圈	WASHER	1				
17	GB/T70.2-M10x1.25x40	内六角平圆头螺钉M10x1.25x40	SCREW M10x1.25x40	1				
18	JISB 2401 P39	活塞O形圈 $\phi 38.7 \times \phi 3.5$	O-RING $\phi 38.7 \times 3.5$	2				
19	JISB 2407 P39T2	O形圈挡圈P39T2	RING, BACK UP P39T2	1				
20	T40-10010100	自由活塞组件	FREE PISTON SUB ASSY	1				
21	T40-10010101	自由活塞	FREE PISTON	1				
22	T40-10010102	活塞压缩弹簧	SPRING	1				
23	T40-10010104	活塞密封件	SEAL	1				
24	T40-10010103	螺栓垫管	BUSH, BOLT	1				
25	T40-10010105	活塞垫管	BUSH, PISTON	1				
26	GB/T70.2-M4x35	内六角平圆头螺钉M4x35	SCREW M4x35	1				
27	F15-07010004	堵塞1/8"	BLOCK, CYLINDER 1/8"	1				
28	T40-10000002	角度定位气缸体	POSITIONING CYLINDER	1				
29	JIS FG11.2	O形圈 $\phi 10.7 \times \phi 1.5$	O-RING $\phi 10.7 \times \phi 1.5$	3				
30	T40-10000001	轴承钢珠1/8"	BALL 1/8"	2				
31	T85-06020014	活塞压缩弹簧	SPRING, PISTON	2				
32	T85-06010201	过滤器	FILTER	1				
33	JIS FG6	O形圈 $\phi 5.5 \times \phi 1.5$	O-RING $\phi 5.5 \times 1.5$	4				
34	T40-10020500	起翘电机	TILT MOTOR	1				
35	GB/T70.1-M6x20	内六角螺钉M6x20	SCREW M6x20	4				
36	GB/T3452.1- $\phi 48 \times 2$	电机O形圈 $\phi 48 \times 2$	O-RING $\phi 48 \times 2$	1				
37	T40-10020004	连接件弹簧	SPRING	1				
38	T40-10020003	电机连接件	LINK, MOTOR	1				
39	GB/T70.1-M4x25	内六角螺钉M4x25	BOLT M4x25	4				
40	T85-06010705	滚针 $\phi 4 \times 21.8$ G2-2-4	ROLLER $\phi 4 \times 21.8$ G2-2-4	2				
41	T40-10020400	齿轮泵组件	GEAR PUMP ASSY	1				
42	JIS FG5	O形圈 $\phi 4.5 \times \phi 1.5$	O-RING $\phi 4.5 \times \phi 1.5$	2				
43	T40-10020002	压缩弹簧	SPRING	1				

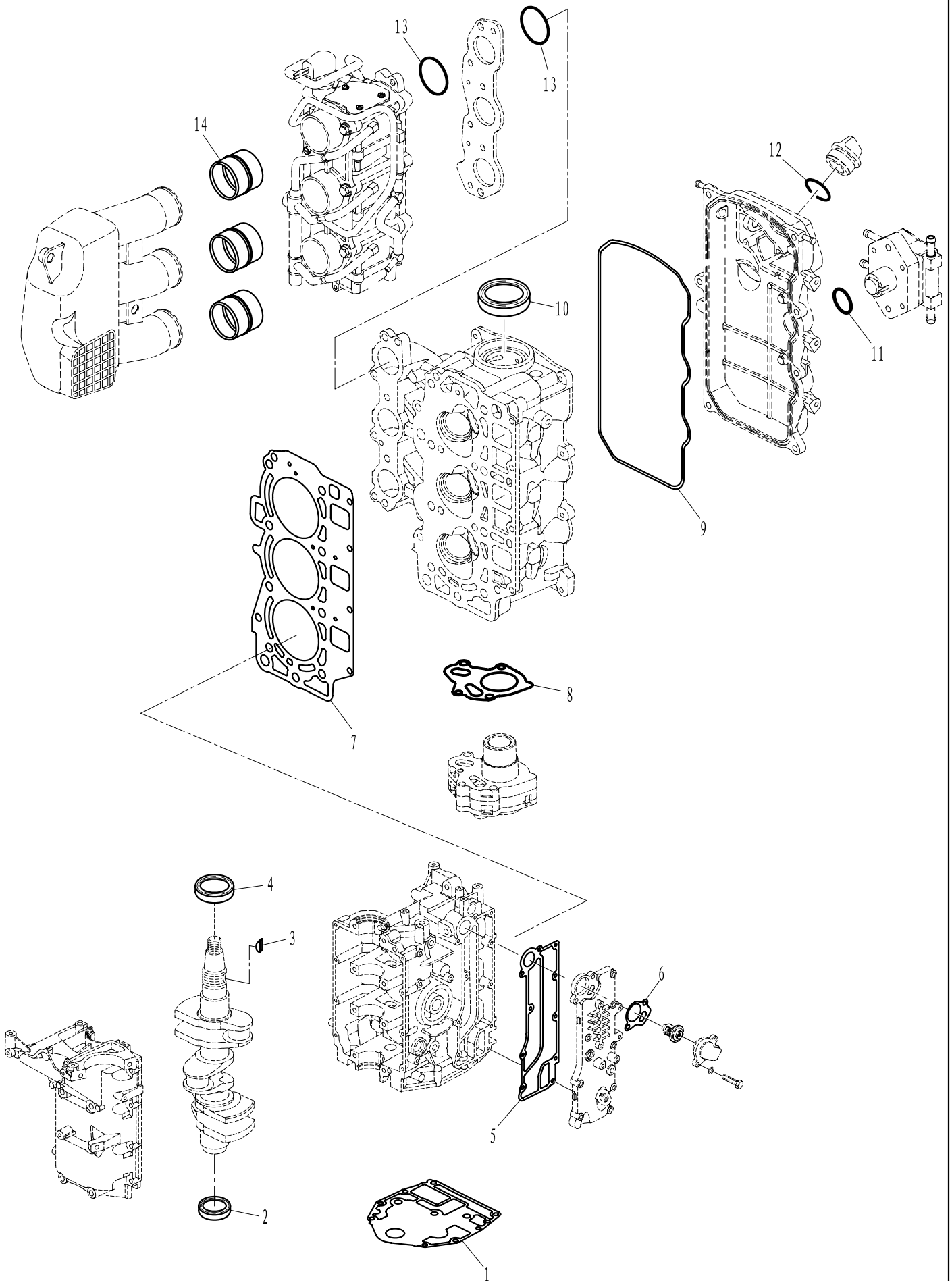
零部件名称: 气缸头总成 (维修件)

PARTS NAME: CYLINDER HEAD ASSY (REPAIR KIT)



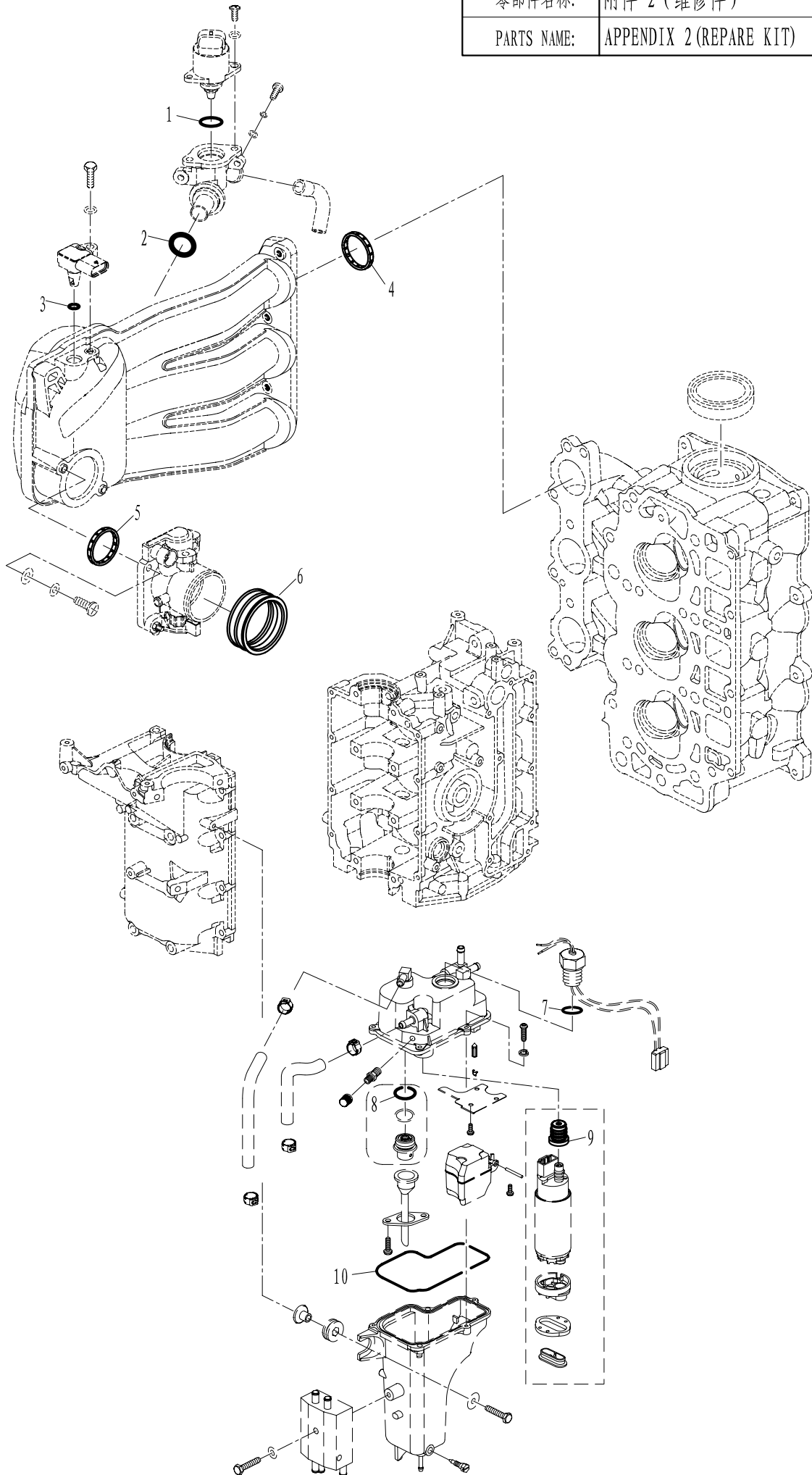
零部件名称: 附件 1 (维修件)

PARTS NAME: APPENDIX 1 (REPAIR KIT)



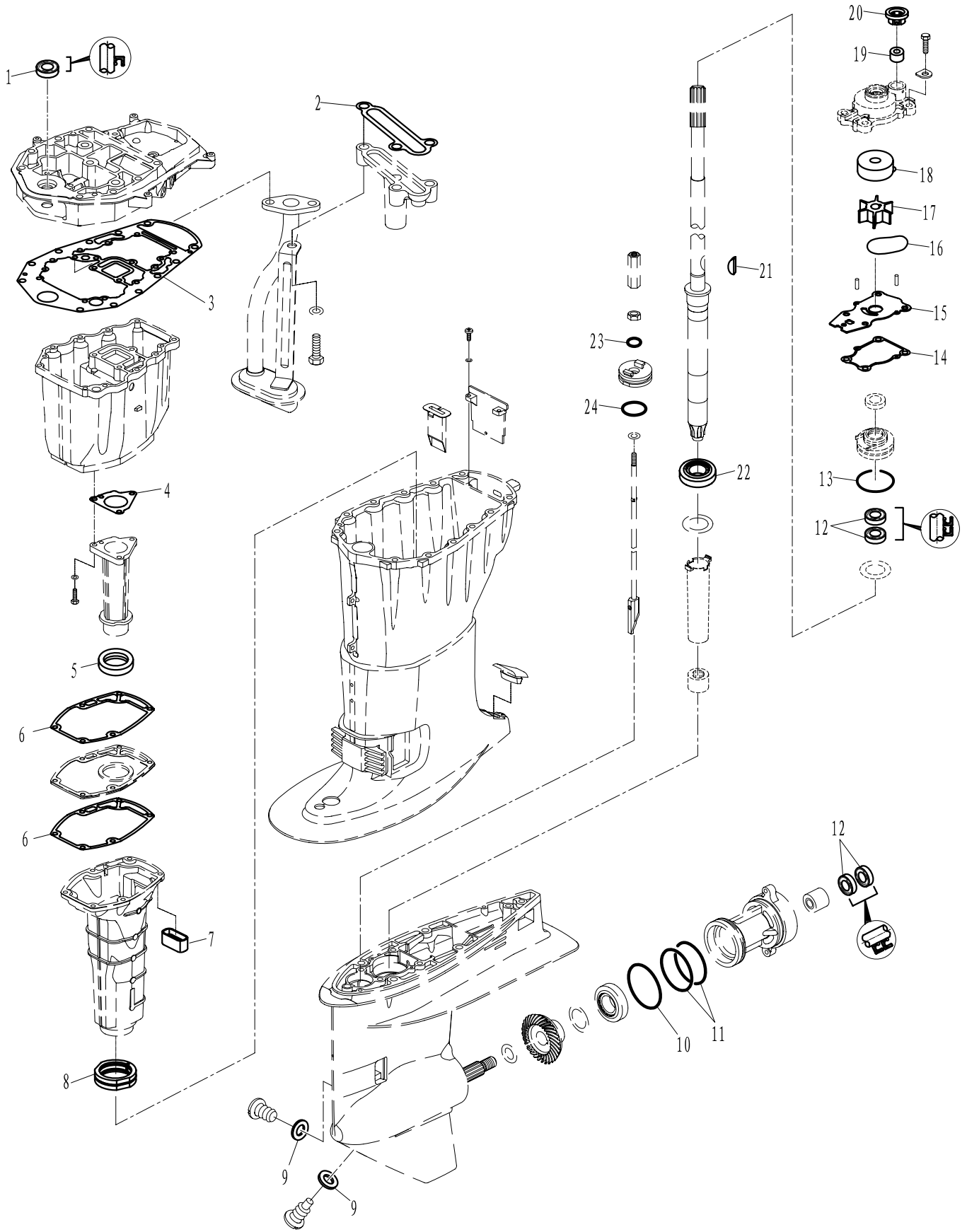
零部件名称: 附件 2 (维修件)

PARTS NAME: APPENDIX 2 (REPAIR KIT)



零部件名称: 附件 3 (维修件)

PARTS NAME: APPENDIX 3 (REPAIR KIT)



零部件名称:

零件目录检索表

PARTS NAME:

PARTS CATALOGUE INDEX

零件代号 PART NO.	页码/序号 PAGE/NO.	零件代号 PART NO.	页码/序号 PAGE/NO.	零件代号 PART NO.	页码/序号 PAGE/NO.
HT2. 5x60	58-2	F4-03000023	23-58	F15-05000032	18-18
HT4. 0x300	36-27	F4-03000024	23-59	F15-05000033	15-27
HT4. 5x200	34-7	F4-04000019	44-5	F15-05000035	23-49
JASO F404 24-045	65-8	F4-04000030	48-10	F15-05000036	15-36
JASO F404 24-050	23-31	F4-04090005	48-26	F15-05000300BW	18-23
JASO F404 31-035	23-53	F4-04090011	48-25	F15-05040002	18-12
JASO F404 35 025	38-2	F4-04130102	50-9	F15-05040100	18-15
JASO F404 24-016	20-20	F4-05000200	15-6	F15-06020004	23-51
JIS FG10	66-66	F8-00000005	27-10	F15-07000014	18-5
JIS FG11. 2	65-29	F8-05000006	32-28	F15-07000016	18-2
JIS FG12	66-60	F8-05000007	32-23	F15-07000021	32-22
JIS FG4	66-47	F8-05000021	32-16	F15-07000030	42-10
JIS FG5	65-42	F8-05000022	38-22	F15-07000031	42-22
JIS FG6	65-33	F15-00000006	11-28	F15-07010003	42-14
JISB 2401 P11	66-56		13-10	F15-07010004	13-9
JISB 2401 P12. 5	66-59		25-12		42-5
JISB 2401 P39	65-18	F15-00000012	50-38		63-8
JISB 2401 P15	65-7		9-13		65-27
JISB 2407 P39T2	65-19		18-19	F15-07010005	11-6
JISB 2407 P15T2	65-6		20-6		38-14
JISB 2401 P3	66-50	F15-01000007	9-22	F15-07010009	11-8
JISB 2401 P8	66-51	F15-01000008	9-20	F15-07010011	11-9
JISB 2401 P9	66-52	F15-01000009	9-21	F15-07010012	11-12
KOYO 6007C4	22-21	F15-01000011	9-5	F15-07010021	42-21
KOYO H1-CAP 322/32	22-8	F15-01000012	9-19	F15-07010022	42-23
NSK B-1416	23-48	F15-01000013	9-4	F15-07010100	28-8
NTN HK 2220 JS	22-25	F15-01000015	15-2	F15-07040006	46-5
PS2700. 04. 03	46-3	F15-01010001	2-33	F15-07040007	46-6
S7133-13. 3	61-10	F15-01010007	2-16	F15-07040104	38-20
	63-9	F15-01010305-3	2-2	F15-07040303	46-9
32005 JR KOYO	23-45	F15-01030001	9-24	F15-07040304	46-10
		F15-01030003	9-23	F15-07050004	38-1
E10-01010001	7-3	F15-01030005	9-38	F15-07080001	48-6
E10-01010003	7-2	F15-01030100	9-36	F15-07110003	44-20
E10-01010004	7-16	F15-01030200	9-26	F15-07130314W	36-18
E10-01010005	7-15	F15-04000002	11-39	F15-07150001W	30-4
E10-01010006	7-17		13-14	F15-07150300W	30-9
E10-01010007	7-14	F15-04000003	11-38	F15-07150301W	30-8
E10-01010008	7-19		13-13	F15-07150302W	30-7
E10-01010009	7-10	F15-04000005	11-3	F15-09000000	56-1
E4-07020015W	59-65	F15-05000003	15-25	F15-10000000	56-2
E4-10040100W	59-55	F15-05000006	15-3	F15-10000001	56-9
F4-01010003	2-21	F15-05000008	15-13	F15-10000002	56-8
F4-01090003	9-34	F15-05000009	15-40	F15-10000003	56-7
F4-01090004	9-35	F15-05000011	61-4	F15-10010000	56-3
F4-01090006	9-27	F15-05000017	15-8	F15-10020000	56-6
F4-01090007	9-28	F15-05000022	15-37	F15-11010000W	20-3
F4-01090300	9-30	F15-05000023	15-38	F15-11000001W	58-10
F4-01090401	9-32	F15-05000026	15-33	F15-11000002W	58-5
	58-12	F15-05000031	18-17	F15-12000013W	59-50

零部件名称:

零件目录检索表

PARTS NAME:

PARTS CATALOGUE INDEX

零件代号 PART NO.	页码/序号 PAGE/NO.	零件代号 PART NO.	页码/序号 PAGE/NO.	零件代号 PART NO.	页码/序号 PAGE/NO.
F15-12000016W	58-37	F25-00000007	5-23	F25-01010324	7-5
F15-13000001W	58-36	F25-00000014	11-2	F25-01010400	2-37
F15-13000002W	58-31		38-23	F25-01010403	2-36
F15-13000003W	58-34		42-6	F25-01020001L	5-6
F15-13000004W	58-35	F25-00000015	5-25	F25-01020002	5-7
F15-13000005W	58-8	F25-00000016	5-17	F25-01030001	9-16
F15-13000006W	59-47	F25-01000001	5-11	F25-02000002	5-21
F15-13000007W	58-28	F25-01000002	5-12	F25-02000003	11-27
F15-13000008W	58-39	F25-01000003	5-10	F25-02000011	11-15
F15-13000011W	59-48	F25-01000004L	5-13	F25-02000015	5-2
F15-13000012W	59-49	F25-01000004S		F25-02000016	5-1
F15-13000013W	58-17	F25-01000005L	5-14	F25-02000019	25-1
F15-13000014W	58-11	F25-01000005S		F25-02010002	11-1
F15-13000015W	59-51	F25-01000006L	5-15	F25-02010003	11-4
F15-13000200W	58-3	F25-01000006S		F25-02010003	38-6
F15-13000202W	58-15	F25-01000007W	20-18	F25-02010005	11-7
F15-13000203W	58-14	F25-01010002	2-27	F25-02010006	13-7
F15-13000300W	59-44	F25-01010003	2-26	F25-02010007	13-2
F15-13000400W	58-13	F25-01010004	2-17	F25-02030000	5-3
F15-13000601W	59-41	F25-01010005	2-38	F25-03000002	16-42
F15-13000602W	59-45	F25-01010006	2-34	F25-03000003	15-4
F15-13000700W	58-40	F25-01010007	2-7	F25-03000006	15-30
F15-13000800W	18-22	F25-01010008	2-6	F25-03000007	15-31
	58-33	F25-01010009	2-4	F25-03000019	15-32
F15-13010001W	59-56	F25-01010010	2-13	F25-03000021W	42-31
F15-13010002W	59-57	F25-01010011	2-15	F25-03000023W	15-15
F15-13010004W	59-62	F25-01010012W	20-21	F25-03000027W	20-9
F15-13010005W	59-61	F25-01010100	2-35	F25-03000028W	20-10
F15-13010008W	59-63	F25-01010102	2-18	F25-03000029W	16-49
F15-13010009W	59-60	F25-01010103	2-20	F25-03000100W	15-17
F15-13010010W	59-52	F25-01010104	2-19	F25-03000101W	15-18
F15-13020000W	58-24	F25-01010200	2-14	F25-03000102W	15-19
F15-13020001W	58-16	F25-01010301L	2-28	F25-03000103W	15-20
F15-13020002W	58-20	F25-01010302	2-31	F25-03000104W	15-21
F15-13020003W	58-21	F25-01010303	2-32	F25-03020000	15-35
F15-13020004W	58-22	F25-01010304	3-46	F25-03030003W	20-14
F15-13020005W	58-18	F25-01010305	3-43	F25-03030004W	20-12
F15-13020006W	58-9	F25-01010306	3-51	F25-03030005W	18-26
F15-13020007W	58-7	F25-01010307-1	3-49	F25-04000007	23-36
F15-13020100W	58-19	F25-01010307-2	3-50	F25-04000015	23-44
F20-03000100	15-24	F25-01010307-3	3-47	F25-04000031	23-60
F20-03000101	15-23	F25-01010307-4	3-48	F25-04010003	22-26
F20-05000037	38-21	F25-01010309	2-39	F25-04040000	23-38
F20-05000902W	30-23	F25-01010311	2-3	F25-05000002	38-18
F20-05000903W	30-22	F25-01010312	2-1	F25-05000003	38-17
F25-00000002	5-18	F25-01010313	2-42	F25-05000021	44-2
F25-00000003	5-19	F25-01010315	2-40	F25-05000023	44-3
F25-00000004	15-29	F25-01010318	2-8	F25-05000024	27-11
F25-00000005	5-16	F25-01010319	2-9	F25-05000025	27-2
F25-00000006	5-24	F25-01010321	2-5	F25-05000026	27-1

零部件名称:

零件目录检索表

PARTS NAME:

PARTS CATALOGUE INDEX

零件代号 PART NO.	页码/序号 PAGE/NO.	零件代号 PART NO.	页码/序号 PAGE/NO.	零件代号 PART NO.	页码/序号 PAGE/NO.
F25-05000035	42-9	F25-05160004	50-25	F40-02000003	11-36
F25-05000037	30-17	F25-05160005	50-23	F40-02000004	11-26
F25-05000100	42-13	F25-05160006	50-26	F40-02000005L	25-2
F25-05010103	42-8	F25-05160012	50-6	F40-02000005S	
F25-05010104	42-7	F25-05160014	50-20	F40-02000007	11-24
F25-05010113	42-20	F25-05160015	50-21	F40-02000008	11-22
F25-05010302-1	40-3	F25-05160016	50-33	F40-02000010	25-14
F25-05010302-2		F25-05160017	50-34	F40-02010001	11-5
F25-05020002	40-4	F25-05160018	50-35	F40-02010002	13-11
F25-05020003	40-1	F25-05160019	50-10	F40-02010003	13-12
F25-05020102	40-12	F25-05160021	50-12	F40-02010004	13-15
F25-05020105	40-9	F25-05160300	50-29	F40-02010005	11-16
F25-05020106	40-8	F25-05160304	50-30	F40-02010006	11-18
F25-05020200	40-5	F25-05160305	50-31	F40-02010007	11-19
F25-05020203-1	40-7	F25-05160501	50-11	F40-02010008	11-20
F25-05020203-2		F25-05170001W	30-27	F40-02010009L	11-21
F25-05020204	40-6	F25-05170002W	30-33	F40-02010009S	
F25-05050001	46-11	F25-05170101W	30-28	F40-02010010	13-8
F25-05050002	46-1	F25-05170201W	30-12	F40-02010100	13-5
F25-05050003	46-2	F25-05170202W	30-20	F40-03000001	15-1
F25-05050005	46-4	F25-06000004	52-8	F40-03000001EI	
F25-05050006	38-16	F25-06000005	52-11	F40-03000002	42-29
F25-05050007	38-15	F25-06000006	52-6	F40-03000003	42-30
F25-05050009	46-19	F25-06000100	52-10	F40-03000004	42-28
F25-05050011	46-18	F25-07000003W	20-4	F40-03000005	48-11
F25-05050012	46-15	F25-07000005W	20-2	F40-03000005EI	
F25-05050016	44-10	F25-07000006W	20-16	F40-03000006	15-11
F25-05050018	44-8	F25-07000007W	58-30	F40-03000007L	18-20
F25-05050019	46-16	F25-07000300W	20-26	F40-03000007S	
F25-05050021	38-13	F25-07000301W	20-22	F40-03000008	16-46
F25-05050300	46-7	F25-07000302W	20-25	F40-03000009	15-5
F25-05050301	46-8	F25-07000303W	20-24	F40-03000009BW	16-48
F25-05090004	28-10	F25-07000304W	20-23	F40-03000009W	16-48
	61-37	F25-07150301W	63-13	F40-03000010	18-13
F25-05090005	28-9	F40-00000001	9-12	F40-03000011	15-41
	61-36	F40-00000002	11-31	F40-03000012	15-26
F25-05090100W	30-5	F40-00000003	42-12	F40-03000013EI	32-38
F25-05130001	48-20	F40-00000004D	67-1	F40-03000014W	16-50
F25-05130002	48-22	F40-00000005D	67-3	F40-03000016	42-27
F25-05130003	48-19	F40-00000006D	67-4	F40-03000100	15-39
F25-05130004	48-18	F40-00000100	16-43	F40-03000300EI	15-24
F25-05130005	48-28	F40-00000200D	67-2	F40-03000400BW	16-47
F25-05130006	48-29	F40-01000004	5-8	F40-03000400EI	16-47
F25-05130007	48-30	F40-01010101S	2-28	F40-03000500FW	30-34
F25-05130008	48-23	F40-01020001S	5-6	F40-03000500EI	
F25-05130100	48-24	F40-01020002	5-7	F40-03000600W	16-45
F25-05160001	50-22	F40-01020003EI	9-31	F40-04000000L	22-1
F25-05160002	20-11	F40-01030101	9-1	F40-04000000S	
	50-4	F40-02000001L	11-33	F40-04010000L	23-43
F25-05160003	50-24	F40-02000001S		F40-04010000S	

零部件名称:

零件目录检索表

PARTS NAME:

PARTS CATALOGUE INDEX

零件代号 PART NO.	页码/序号 PAGE/NO.	零件代号 PART NO.	页码/序号 PAGE/NO.	零件代号 PART NO.	页码/序号 PAGE/NO.
F40-0402000	23-55	F40-05000046EI	63-1	F40-05040200	44-11
F40-05000001	40-2	F40-05000048EI	36-32	F40-05040400	44-13
F40-05000002	38-9	F40-05000049EI	32-30	F40-05040401	44-14
F40-05000003	32-19	F40-05000050EI	36-31	F40-05040402	44-19
	42-24	F40-05000051EI	61-5	F40-05040403	44-18
F40-05000004	42-15	F40-05000052EI	63-17	F40-05040404	44-16
F40-05000005	42-16	F40-05000053	42-26	F40-05040405	44-15
F40-05000005EI		F40-05000055EI	32-20	F40-05040406	44-22
F40-05000007	44-1	F40-05000059EI	32-14	F40-05040407	44-12
F40-05000008	44-4	F40-05000060EI	32-6	F40-05040408	44-21
F40-05000009	28-11	F40-05000063EI	32-9	F40-05050000	48-17
F40-05000009-1EI	32-26	F40-05000064EI	36-29	F40-05050200	48-27
F40-05000009-2EI	32-24	F40-05000065EI	32-27	F40-05060000	54-1
F40-05000010	27-4	F40-05000069EI	61-1	F40-05060001	55-53
F40-05000011	42-3	F40-05000070EI	61-3	F40-05060002	55-61
F40-05000013	34-10	F40-05000071EI	63-10	F40-05060003	54-25
F40-05000014	34-11	F40-05000100	28-13	F40-05060004	54-26
F40-05000015	18-9	F40-05000101	28-16	F40-05060005	55-68
F40-05000015W	20-13	F40-05000200	28-2	F40-05060006	55-67
F40-05000016	18-6	F40-05000300	27-14	F40-05060007	55-62
F40-05000016EI	36-23	F40-05000400	28-7	F40-05060008	55-65
F40-05000016W	20-1	F40-05000500	30-1	F40-05060009	55-66
F40-05000019	48-13	F40-05000500EI		F40-05060010	55-69
F40-05000019EI	63-15	F40-05000600	27-7	F40-05060011	55-63
F40-05000021	48-12	F40-05000600EI		F40-05060012	55-64
F40-05000021EI		F40-05000700	27-5	F40-05060013	55-56
F40-05000022	42-25	F40-05000700EI		F40-05060014	55-54
F40-05000023	34-8	F40-05000800	30-32	F40-05061000	54-2
F40-05000024	34-4	F40-05000900EI	36-19	F40-05061001	54-10
F40-05000025	34-1	F40-05000901EI	36-20	F40-05061002	54-11
F40-05000026	34-5	F40-05001000-1EI	32-34	F40-05061003	54-18
F40-05000026EI	36-14	F40-05001000-2EI		F40-05061004	54-17
F40-05000027	34-6	F40-05001000-3EI		F40-05061005	54-16
F40-05000028	18-1	F40-05001000-4EI		F40-05061006	54-15
F40-05000029	28-1	F40-05001000EI	32-33	F40-05061007	54-19
F40-05000030	28-5	F40-05001200BW	30-35	F40-05061008	54-30
F40-05000032	13-1	F40-05001200EI	32-36	F40-05061009	54-43
F40-05000033	18-7	F40-05010000	42-4	F40-05061010	55-44
F40-05000034	27-9	F40-05010400EI	61-7	F40-05061011	54-36
F40-05000035	50-37	F40-05020100	40-10	F40-05061012	54-37
F40-05000036	48-4	F40-05020101	40-11	F40-05061013	54-38
F40-05000037	42-19	F40-05030000	38-24	F40-05061014	54-39
F40-05000038	42-18	F40-05030005	30-15	F40-05061014	54-41
F40-05000039EI	36-17	F40-05040001	46-12	F40-05061015	54-32
F40-05000040EI	63-11	F40-05040002	46-13	F40-05061016	54-33
F40-05000041EI	63-14	F40-05040003	46-17	F40-05061017	54-34
F40-05000042EI	32-39	F40-05040004	46-14	F40-05061018	54-35
F40-05000044EI	63-5	F40-05040006	44-9	F40-05061019	54-12
F40-05000045EI	63-3	F40-05040100	38-19	F40-05061020	54-13
F40-05000046	30-16	F40-05040100EI		F40-05061021	54-14

零部件名称:

零件目录检索表

PARTS NAME:

PARTS CATALOGUE INDEX

零件代号 PART NO.	页码/序号 PAGE/NO.	零件代号 PART NO.	页码/序号 PAGE/NO.	零件代号 PART NO.	页码/序号 PAGE/NO.
F40-05061100	54-29	F40-05100004EI	61-12	T40-01010100-A	7-1
F40-05061200	54-22	F40-05100010EI	61-11	T40-01010101	2-25
F40-05061203	54-23	F40-05100100EI	61-9		7-22
F40-05061300	55-49	F40-05100201EI	61-14	T40-01010102	2-11
F40-05061303	55-45	F40-05100202EI	61-13		7-21
F40-05061304	55-46	F40-05100301EI	61-23	T40-01020001	9-15
F40-05061305	55-48	F40-05100302EI	61-24	T40-02000002	25-4
F40-05061306	55-47	F40-05100500EI	61-29	T40-02000003	11-35
F40-05061400	54-6	F40-05100501EI	61-30	T40-02000004	11-34
F40-05061401	54-7	F40-05100502EI	61-33	T40-02010005	25-3
F40-05061402	54-5	F40-05100503EI	61-32	T40-04000001	22-2
F40-05062000	55-55	F40-05100504EI	61-31	T40-04000002	23-47
F40-05063000	55-58	F40-05100511EI	63-16	T40-04000003-1	23-46
F40-05063200	55-57	F40-05100600-1EI	61-17	T40-04000003-2	
F40-05070000	38-3	F40-05100600EI	61-15	T40-04000003-3	
F40-05070001	38-4	F40-05100601EI	61-16	T40-04000003-4	
F40-05070002	38-5	F40-05100602EI	61-18	T40-04000003-5	
F40-05070003	38-8	F40-05100603EI	61-19	T40-04000003-6	
F40-05070004	38-7	F40-05100701EI	61-35	T40-04000003-7	
F40-05080000	50-5	F40-05100703EI	61-42	T40-04000004-1	22-7
F40-05080001	50-13	F40-05100704EI	61-34	T40-04000004-2	
F40-05080100	50-14	F40-05100800EI	61-38	T40-04000004-3	
F40-05080200	50-3	F40-06000000	52-1	T40-04000004-4	
F40-05090100EI	32-32	F40-06000001	52-4	T40-04000004-5	
F40-05090200EI	32-15	F40-06000002	52-7	T40-04000004-6	
F40-05090300EI	63-7	F40-06000003	52-2	T40-04000004-7	
F40-05090400EI	36-25	F40-06000007	52-15	T40-04000005	22-4
F40-05090401EI	36-36	F40-08000001	52-14	T40-04000006	22-3
F40-05090403EI	36-24	F40-08000002	52-3	T40-04000007	23-52
F40-05090408EI	36-28	F40-08000003	52-16	T40-04000008	22-29
F40-05090501EI	36-7	F40-08000004	52-5	T40-04000009	23-33
F40-05090502EI	36-8	F40-08010100EI	58-4	T40-04000010	23-34
F40-05090503-1EI	36-6	F40-13000000EI	58-1	T40-04000011	23-35
F40-05090503EI	36-5	F40-13000200EI	58-3	T40-04000012	23-41
F40-05090600EI	36-3	T5-04000200	61-2	T40-04000013	25-8
F40-05090601EI	36-4	T15-01020003	9-31	T40-04000014	25-7
F40-05090700EI	32-21	T20-06050302	36-22	T40-04000018	25-19
F40-05090800EI	36-16	T20-13000500W	58-27	T40-04000019	25-21
F40-05090803EI	36-15	T36-04000023	2-30	T40-04000020	25-22
F40-05091100EI	63-12		16-51	T40-04000021	25-23
F40-05091200EI	63-6		28-14	T40-04000022	22-6
F40-05091400EI	32-35	T40-00000002	9-11	T40-04000023	23-57
F40-05091401EI	32-3	T40-00000003	9-14	T40-04000201	23-40
F40-05091402EI	32-4	T40-00000004	9-10	T40-04000202	23-39
F40-05091500EI	32-31	T40-00000005	9-9	T40-04000203	25-6
F40-05091600EI	32-12	T40-00000006	9-8	T40-04000204	25-5
F40-05100000EI	61-6	T40-00000009	25-18	T40-04000205	23-37
F40-05100001EI	61-27	T40-00000010	25-17	T40-04020000	22-9
F40-05100002EI	61-28	T40-01010001-A	7-6	T40-04040000	22-30
F40-05100003EI	61-25	T40-01010002-A	7-23	T40-04040001	23-32

零部件名称:

零件目录检索表

PARTS NAME:

PARTS CATALOGUE INDEX

零件代号 PART NO.	页码/序号 PAGE/NO.	零件代号 PART NO.	页码/序号 PAGE/NO.	零件代号 PART NO.	页码/序号 PAGE/NO.
T40-04050000	22-10	T40-10030000	65-3		
T40-04050001	22-16	T40-10030001	65-14		
T40-04050002	22-12	T40-10030002	65-15		
T40-04050003	22-13	T40-10030003	65-16		
T40-04050004	22-14	T40-10030100	65-9		
T40-04050005	22-15	T40-10030200	65-5		
T40-04050006	22-11	T40-10030202	65-4		
T40-04050007	22-17	T40-10030301	65-10		
T40-04060000	22-20	T85-05000022	30-13		
T40-04060001	22-24	T85-05000023	30-30		
T40-04060002	22-22	T85-05000300	48-5		
T40-04060003	22-23	T85-05000301	48-9		
T40-04060005-1	22-19	T85-05000302	48-7		
T40-04060005-2		T85-05030002	30-19		
T40-04060005-3		T85-05030200	30-18		
T40-04060005-4			32-37		
T40-04060005-5		T85-05040004	27-15		
T40-04060005-6		T85-06010002	66-71		
T40-04060005-7		T85-06010009	66-62		
T40-04060006	22-18	T85-06010201	65-32		
T40-04070000-13	25-20	T85-06010205	66-44		
T40-04070000-12		T85-06010207	66-45		
T40-04070000-11		T85-06010501	66-61		
T40-05000028	32-5	T85-06010503	66-58		
T40-05110002	50-15	T85-06010601	66-63		
T40-05110003	50-16	T85-06010606	66-67		
T40-10000000	65-1	T85-06010705	65-40		
T40-10000001	65-30	T85-06020005	65-13		
T40-10000002	65-28	T85-06020014	65-31		
T40-10010000	65-2	T85-06020202	65-12		
T40-10010100	65-20	T85-08010000W	58-1		
T40-10010101	65-21	T85-08010100	58-4		
T40-10010102	65-22				
T40-10010103	65-24				
T40-10010104	65-23				
T40-10010105	65-25				
T40-10020001	66-48				
T40-10020002	65-43				
T40-10020003	65-38				
T40-10020004	65-37				
T40-10020005	66-46				
T40-10020201	66-64				
T40-10020202	66-65				
T40-10020301	66-49				
T40-10020302	66-53				
T40-10020303	66-54				
T40-10020304	66-55				
T40-10020305	66-57				
T40-10020400	65-41				
T40-10020500	65-34				