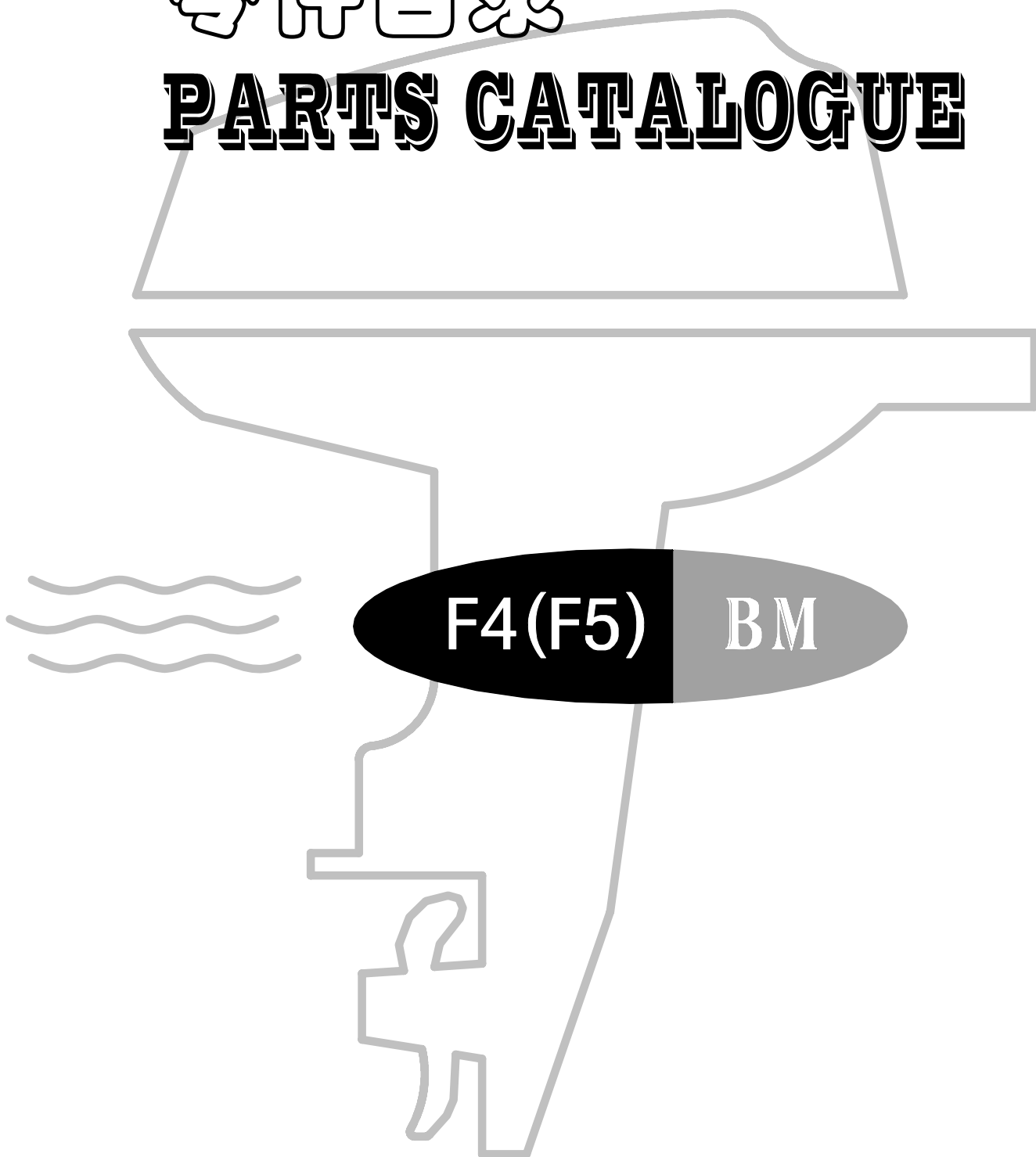


零件目录

PARTS CATALOGUE



苏州百胜动力机器股份有限公司

SUZHOU PARSUN POWER MACHINE CO., LTD

# 目录

## CONTENTS

控制系统	1
CONTROL	1
托架	2 ~ 3
BRACKET	2 ~ 3
操舵系统	4 ~ 5
STEERING	4 ~ 5
水上装置壳体	6
UPPER CASING	6
水下驱动组件	7 ~ 8
LOWER DRIVE ASSY	7 ~ 8
水下装置壳体&驱动系统	9
LOWER CASING & DRIVE	9
点火系统	10
IGNITOR ASSY	10
气缸&曲轴箱1	11 ~ 12
CYLINDER & CRANKCASE 1	11 ~ 12
曲轴&活塞	13
CRANKSHAFT & PISTON	13
凸轮轴&阀门	14
CAMSHAFT & VALVE	14
气缸&曲轴箱2	15
CYLINDER & CRANKCASE 2	15
燃油系统	16 ~ 17
FUEL	16 ~ 17
进气系统	18
INTAKE	18
内燃油箱	19
INNER FUEL TANK	19
起动机组件	20 ~ 21
STARTER	20 ~ 21
底罩	22
BOTTOM COWLING	22
顶罩	23
TOP COWLING	23
外燃油箱 (12L)	24
OUTER FUEL TANK (12L)	24
化油器总成	25 ~ 26
CARBURETOR ASSY	25 ~ 26
气缸头总成(修理件)	27
CYLINDER HEAD ASSY (REPAIR KIT)	27
发动机头组件(修理件)	28 ~ 30
ENGINE ASSY (REPAIR KIT)	28 ~ 30
附录(修理件)	31 ~ 32
APPENDIX (REPAIR KIT)	31 ~ 32
检索表	I ~ III
PARTS CATALOGUE INDEX	I ~ III

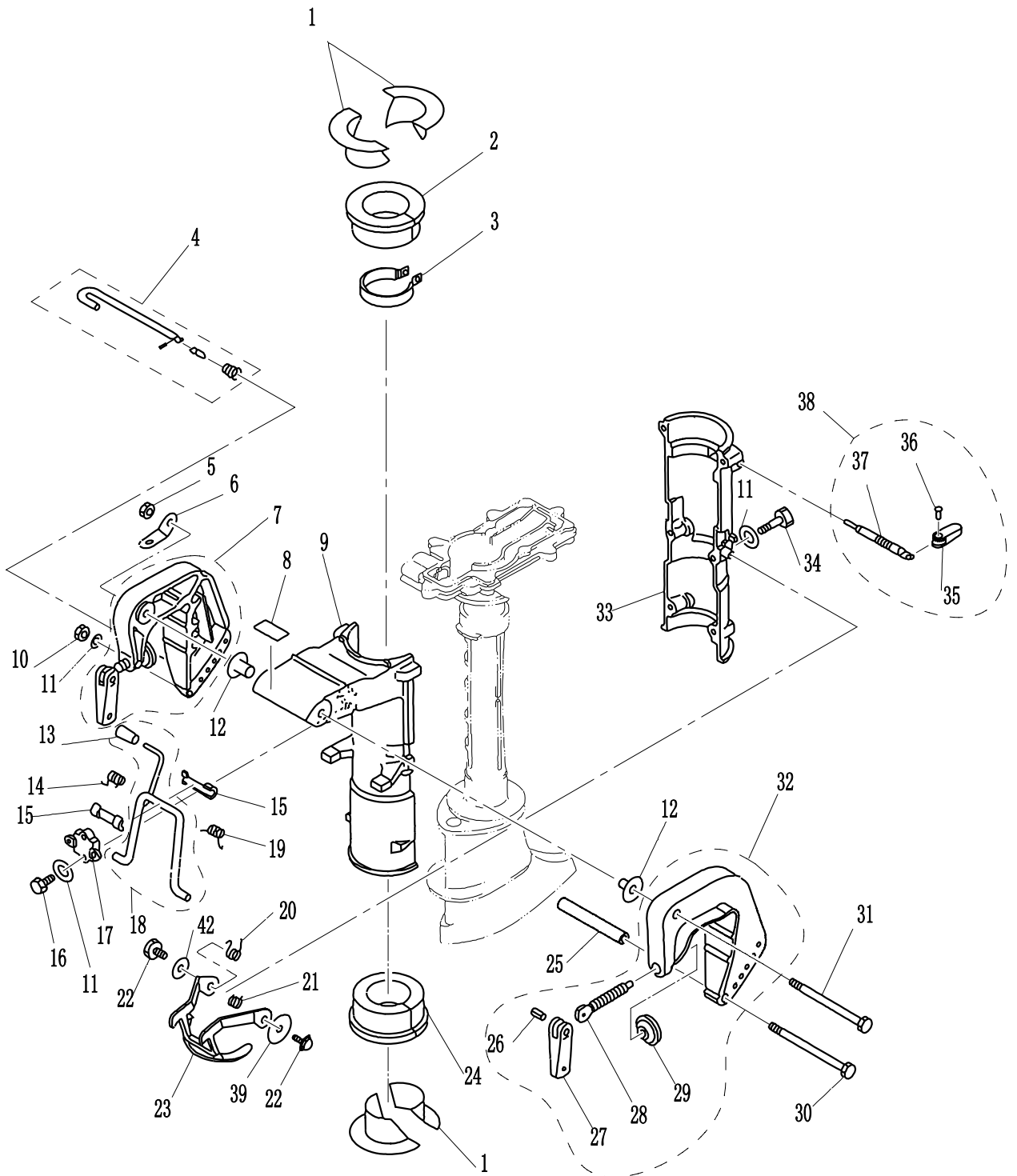


零部件名称:

托架

PARTS NAME:

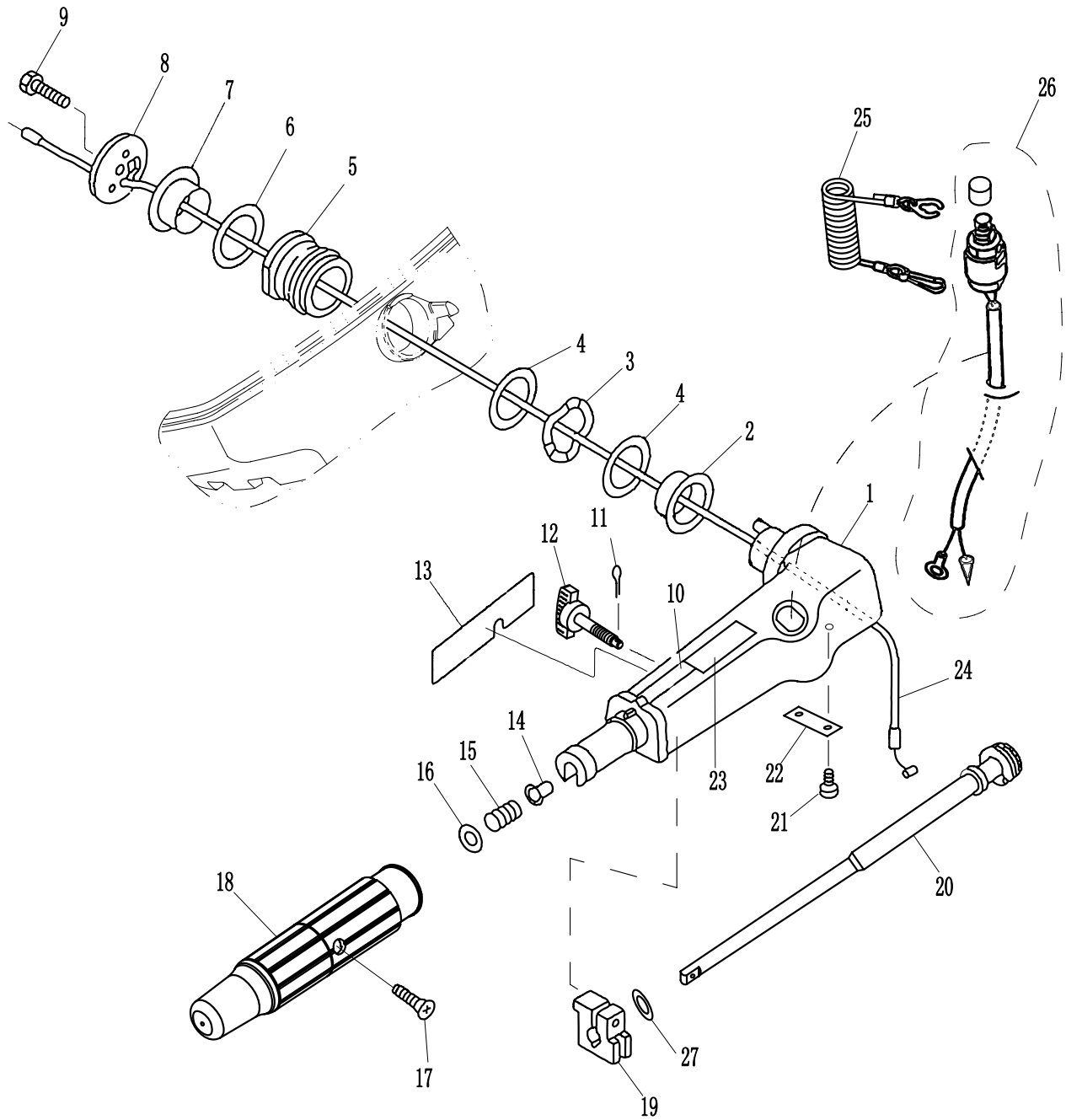
BRACKET





零部件名称: 操舵系统

PARTS NAME: STEERING







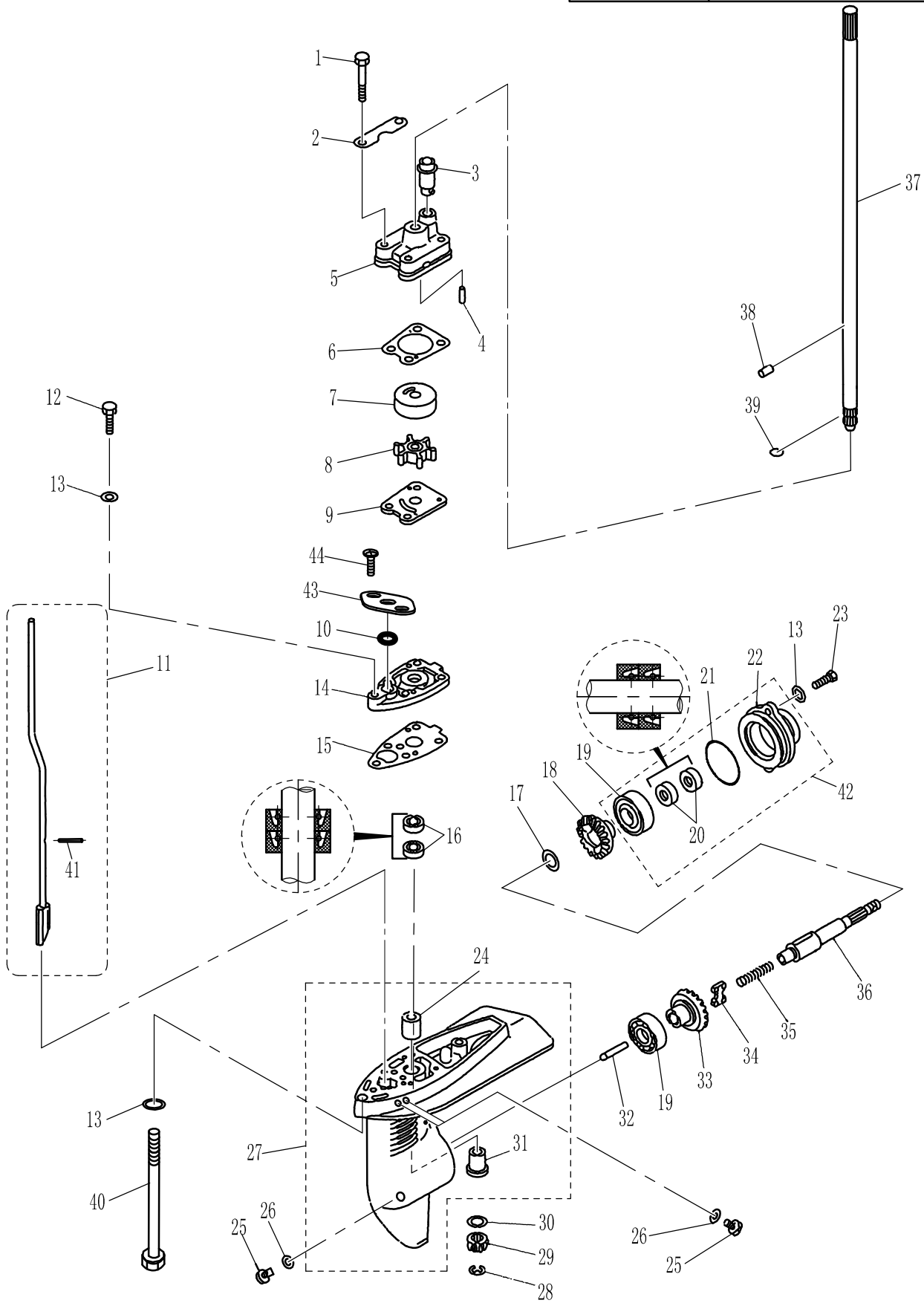


零部件名称:

水下驱动组件

PARTS NAME:

LOWER DRIVE ASSY



SN. 参照号码	PART NO. 零件编号	DESCRIPTION 零件名称(中文)	DESCRIPTION 零件名称(英文)	QTY 数量					REMARKS 备注
1	GB/T5782-M6x45	六角头螺栓 M6x45	HEXAGON BOLT M6x45	4					
2	F4-0300020	泵壳固定板	FIXED PLATE, WATER PUMP	2					
3	F4-0300021	泵壳橡胶管	RUBBER TUBE, WATER PUMP	1					

零部件名称:

水下驱动组件

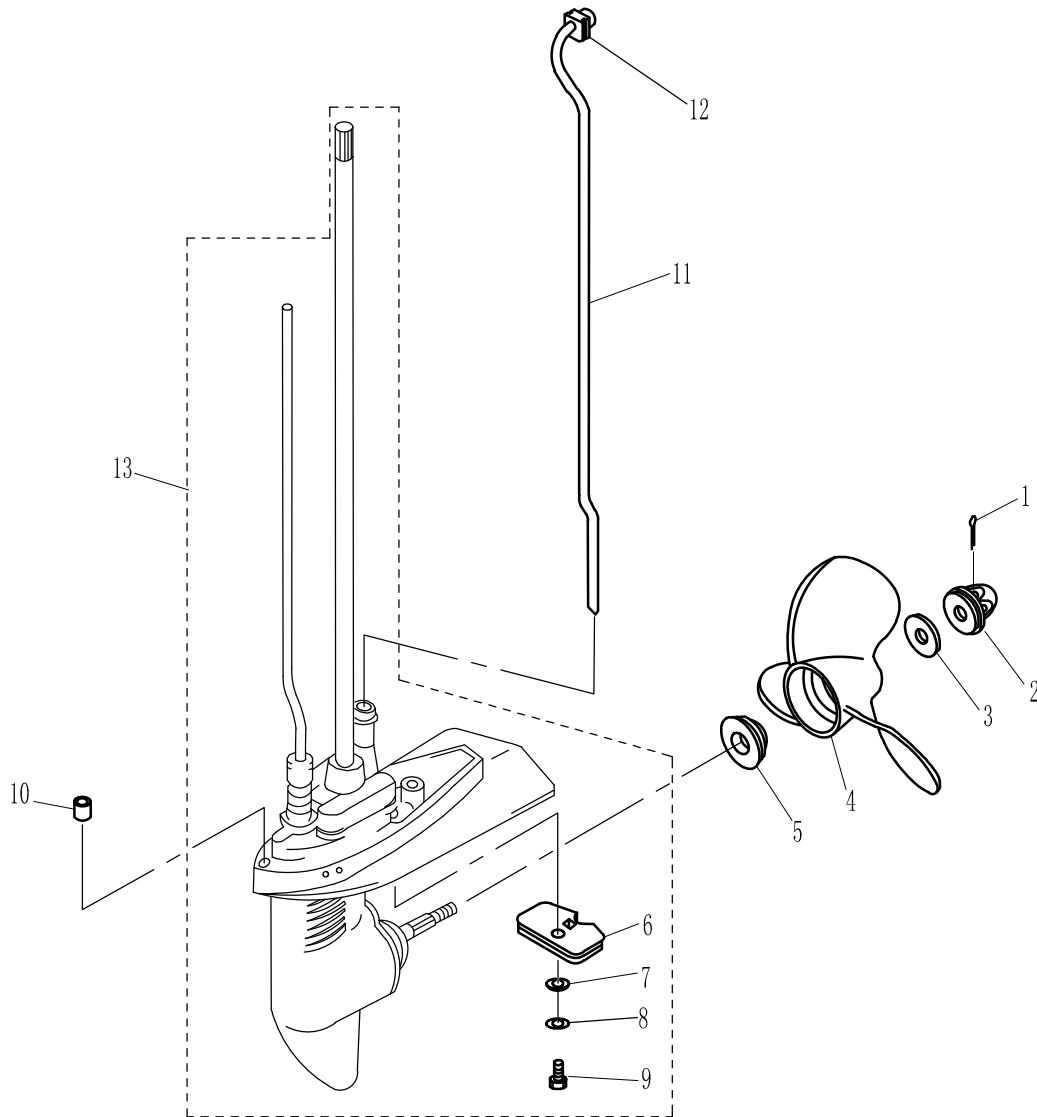
PARTS NAME:

LOWER DRIVE ASSY

SN. 参照号码	PART NO. 零件编号	DESCRIPTION 零件名称(中文)	DESCRIPTION 零件名称(英文)	QTY 数量					REMARKS 备注
4	F4-03000013	水泵座定位销	PIN, WATER PUMP	2					
5	F4-03000019	水泵壳	HOUSING, WATER PUMP	1					
6	F4-03000018	泵壳密封垫	GASKET, WATER PUMP COVER	1					
7	F4-03000017	水泵内壳	INNER COVER, WATER PUMP	1					
8	F4-03060000	水泵叶轮	IMPELLER , WATER PUMP	1					
9	F4-03000015	外挡板	GUIDE PLATE, WATER PUMP	1					
10	F2.6-03000009	O形密封圈	O-RING	1					
11	F4-03020000L	变档凸轮组件(L)	CAM ASSY , SHIFT ROD(L)	1					L
	F4-03020000S	变档凸轮组件(S)	CAM ASSY , SHIFT ROD(S)	1					S
12	GB/T5783-M6x25	六角头螺栓M6×25	HEXAGON BOLT M6×25	1					
13	GB/T97.1-6	平垫圈6	PLAIN WASHER 6	5					
14	F4-03000012	水泵座	BASE , WATER PUMP	1					
15	F4-03000011	水泵座密封垫	GASKET, WATER PUMP BASE	1					
16	F4-04060004	油封 10.8×21×7	OIL SEAL 10.8x21x7	2					
17	F4-03000009	倒档齿轮垫圈	WASHER , REVERSE GEAR	1					
18	F4-03040000	倒档齿轮组件	REVERSE GEAR ASSY	1					
19	GB/T276-6004C2	深沟球轴承6004C2	DEEP GROOVE BALL BEARING 6004C2	2					
20	F4-03050002	油封13×22×7	OIL SEAL 13x22x7	2					
21	JISB2401-P48	水下装置壳体盖O形圈	O-RING P48	1					
22	F4-03050001	水下装置壳体盖	GEAR CASE GLAND	1					
23	GB/T5783-M6x20	六角头螺栓M6x20	HEXAGON BOLT M6x20	2					
24	F4-03000003	不带档边筒形轴承	CYLINDRICAL BEARING	1					
25	F4-03000023	注油孔螺塞	PLUG, STRAIGHT SCREW	3					
26	F4-03000024	注油孔螺塞密封垫	GASKET, STRAIGHT SCREW PLUG	3					
27	F4-03000001	水下装置壳体	GEAR CASE	1					
28	GB/T896-6	开口挡圈6	CIRCLIP 6	1					
29	F4-03000007	主动齿轮	PINION	1					
30	F4-03000006	主动齿轮垫圈	WASHER , PINION	1					
31	F4-03000002	带档边筒形轴承	CYLINDRICAL BEARING	1					
32	F4-03000008	变档柱塞	PLUGER , SHIFT	1					
33	F4-03010000	正档齿轮组件	FORWARD GEAR ASSY	1					
34	F4-03030002	离合器块	CLUTCH	1					
35	F4-03030003	离合器块压簧	SPRING , CLUTCH	1					
36	F4-03030001	螺旋桨轴	SHAFT , PROPELLER	1					
37	F4-03000004L	驱动轴(长轴)	SHAFT , DRIVE (L)	1					L
	F4-03000004S	驱动轴(短轴)	SHAFT , DRIVE (S)						S
38	F4-03000016	叶轮定位销	PIN	2					
39	F4-03000005	轴用钢丝挡圈	CLIP	1					
40	GB/T5782-M6x170	六角头长螺栓M6x170	HEXAGON BOLT M6x170	2					L
	GB/T5783-M6x40	六角螺栓M6x40	HEXAGON BOLT M6x40						S
41	GB/T879.4-1.5x20	弹性圆柱销 $\phi 1.5 \times 20$	PIN, SPRING $\phi 1.5 \times 20$	1					
42	F4-03050000	水下装置壳体盖组件	GLAND ASSY, GEAR CASE	1					
43	F4-03000028	O形圈挡板	PLATE, O-RING	1					
44	GB/T818-M5x8	十字槽盘头螺钉 M5x8	PAN HEAD SCREW M5x8	2					

零部件名称: 水下装置壳体 &amp; 驱动系统

PARTS NAME: LOWER CASING &amp; DRIVE



SN. 参照号码	PART NO. 零件编号	DESCRIPTION 零件名称(中文)	DESCRIPTION 零件名称(英文)	QTY 数量					REMARKS 备注
1	GB/T91-2.5x30	开口销 $\phi 2.5 \times 30$	COTTER PIN $\phi 2.5 \times 30$	1					
2	F4-03080000	螺母组件	NUT ASSY	1					
3	F4-03000026	不锈钢垫片	WASHER, PROPELLER	1					
4	F4-03070000	螺旋桨组件	PROPELLER ASSY	1					
5	F4-03000025	不锈钢垫块	SPACER, PROPELLER	1					
6	F4-03000022	阳极	ANODE, GEAR CASE ASSY	1					
7	GB/T861.1-6	内齿锁紧垫圈6	WASHER, INTERNAL TOOTH 6	1					
8	GB/T97.1-6	平垫圈6	PLAIN WASHER 6	1					
9	GB/T5783-M6x14	六角头螺栓 M6x14	HEXAGON BOLT M6x14	1					
10	F4-00000001	空心定位销	HOLLOW PIN	2					
11	F4-02040001L	进水管(长轴)	WATER TUBE ASSY (L)	1					L
	F4-02040001S	进水管(短轴)	WATER TUBE ASSY (S)						S
12	F4-02040002	I形橡胶圈	I-SHAPED RUBBER BLOCK	1					
13	F4-03100000L	水下装置壳体总成(长轴)	GEAR CASE ASSY (L)	1					L
	F4-03100000S	水下装置壳体总成(短轴)	GEAR CASE ASSY (S)						S

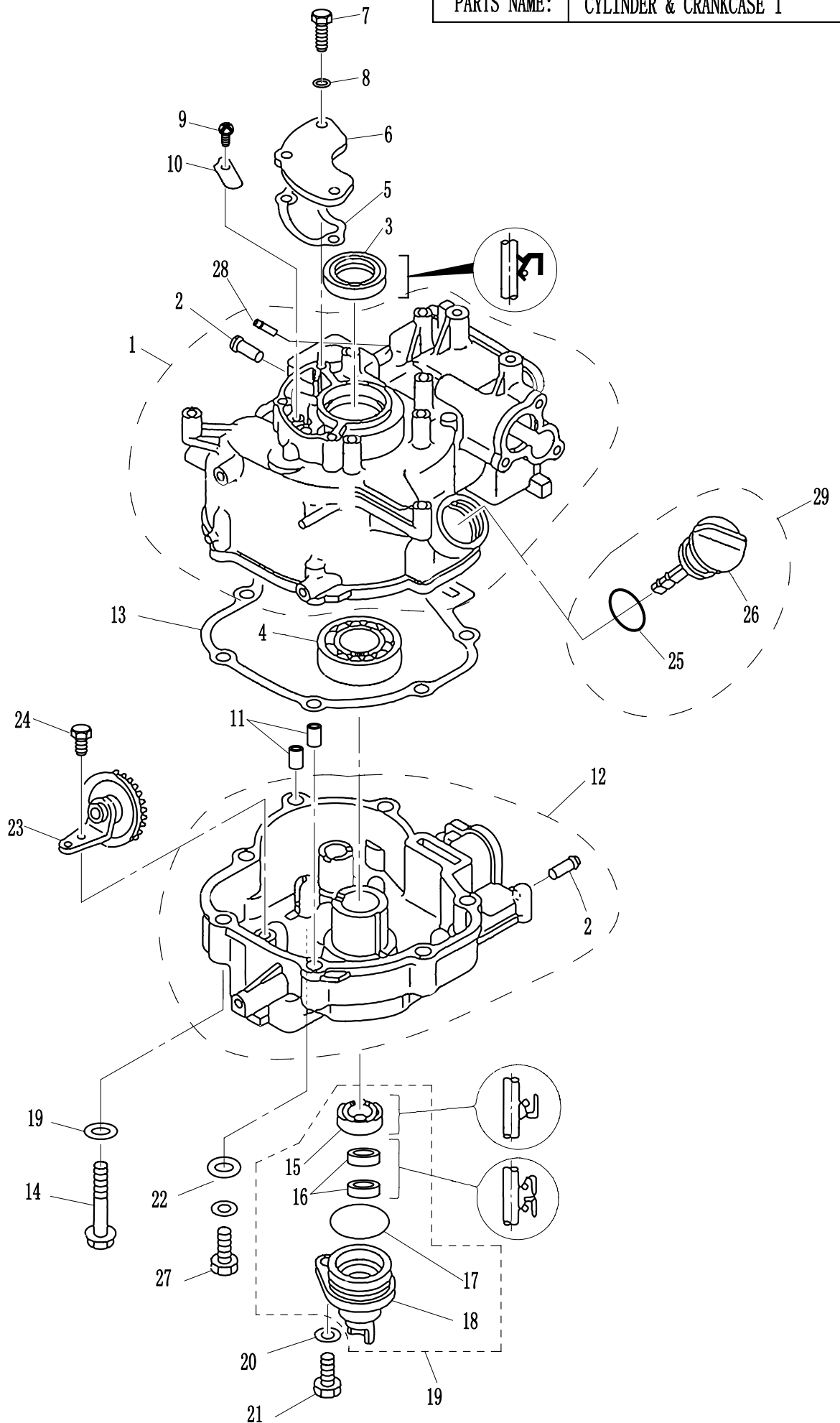


零部件名称:

气缸&曲轴箱1

PARTS NAME:

CYLINDER & CRANKCASE 1





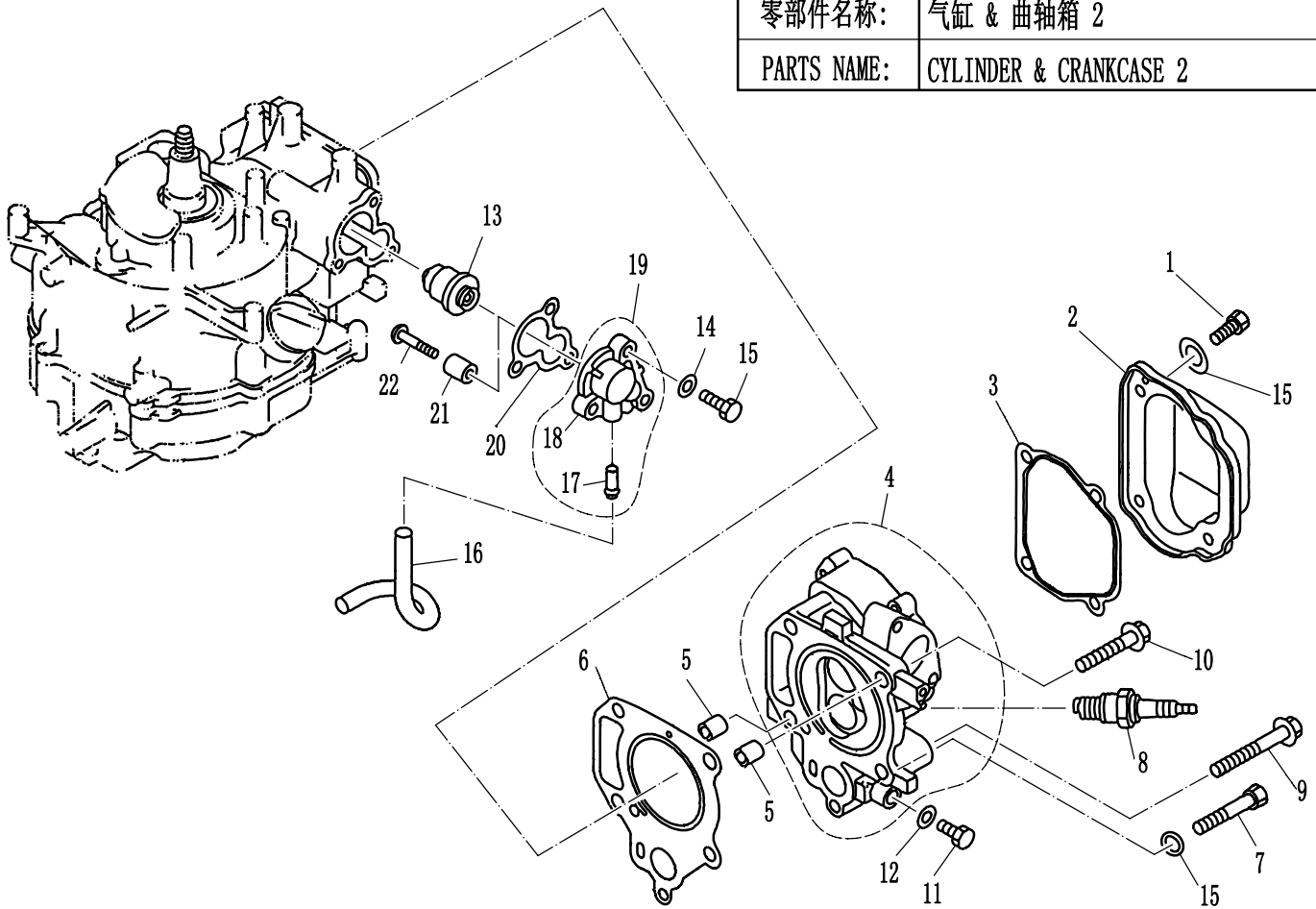






零部件名称: 气缸 &amp; 曲轴箱 2

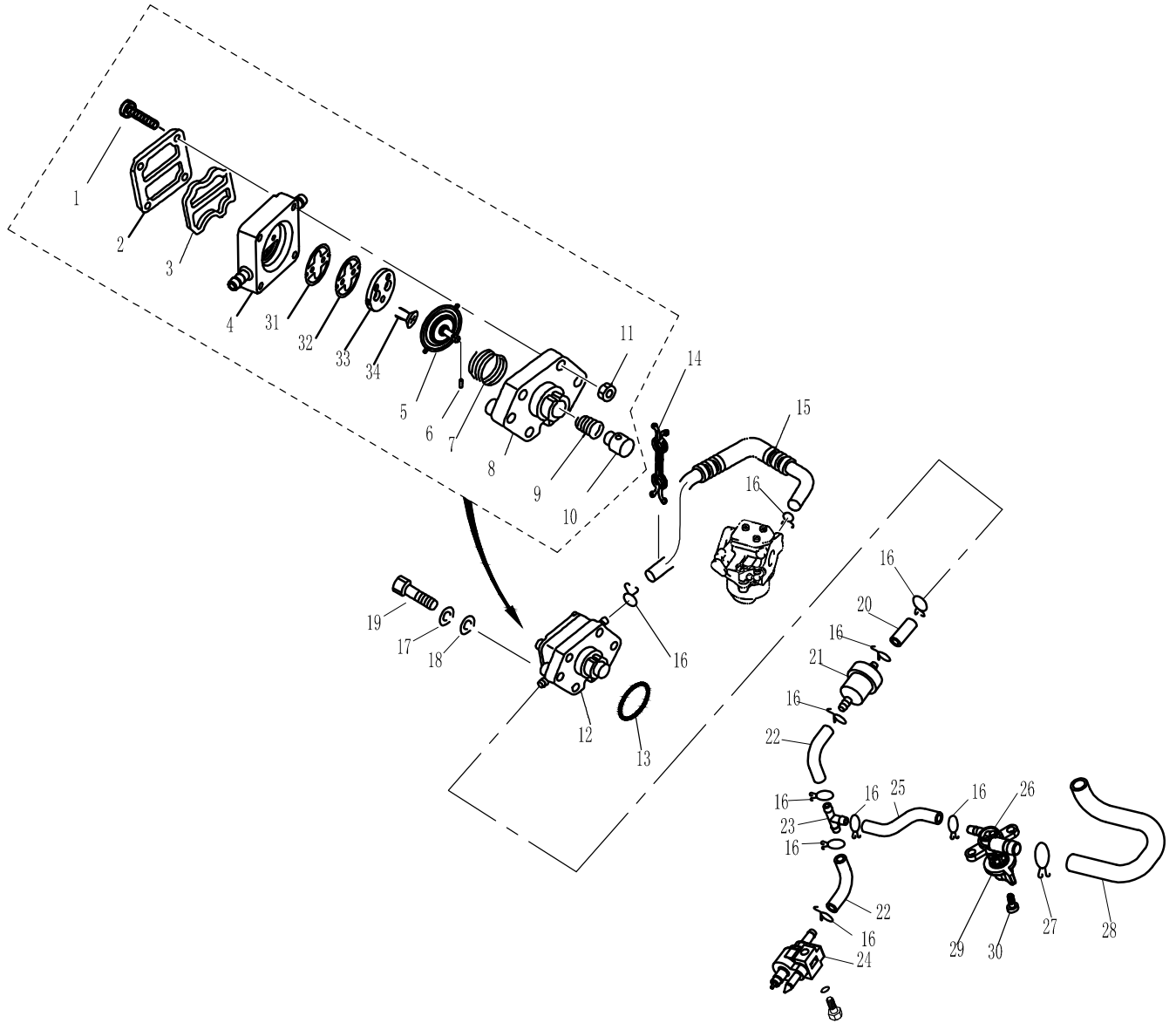
PARTS NAME: CYLINDER &amp; CRANKCASE 2



SN. 参照号码	PART NO. 零件编号	DESCRIPTION 零件名称(中文)	DESCRIPTION 零件名称(英文)	QTY 数量					REMARKS 备注
1	GB/T5783-M6x16	六角头螺栓M6×16	HEXAGON BOLT M6×16	4					
2	F4-0400018	缸头罩	COVER, CYLINDER HEAD	1					
3	F4-0400017	缸头罩密封垫	GASKET , CYLINDER COVER	1					
4	F4-04080100	气缸头组件	CYLINDER HEAD ASSY	1					
5	F4-04000003	空心定位销	HOLLOW PIN	2					
6	F4-04000014	缸头复合垫	GASKET, CYLINDER HEAD	1					
7	GB/T5782-M6x45	六角螺栓M6×45	HEXAGON BOLT M6x45	1					
8	BPR7HS	火花塞	SPARK PLUG	1					
9	F4-04000034	气缸头螺栓B	BOLT "B", CYLINDER HEAD	3					
10	F4-04000033	气缸头螺栓A	BOLT "A", CYLINDER HEAD	1					
11	GB/T5783-M8x14	六角螺栓 M8x14	HEXAGON BOLT M8x14	1					
12	F4-04000006	放油螺栓密封垫	GASKET, OIL DRAIN BOLT	1					
13	T15-04000010	节温器	THERMOSTAT	1					
14	GB/T97.1-6	平垫圈6	PLAIN WASHER 6	8					
15	GB/T5783-M6x20	六角头螺栓M6×20	HEXAGON BOLT M6×20	3					
16	F4-04000012	回水管	WATER PIPE, RETURN	1					
17	F4-04010102	水咀	PIPE, JOINT	1					
18	F4-04070101	节温器盖	COVER , THERMOSTAT	1					
19	F4-04070100	节温器盖水咀组件	THERMOSTAT COVER ASSY	1					
20	F4-04000011	节温器盖密封垫	GASKET, THERMOSTAT COVER	1					
21	F4-04070003	节温器盖阳极	ANODE, THERMOSTAT COVER	1					
22	GB/T818-M5x25	十字槽盘头螺钉M5×25	PAN HEAD SCREW M5×25	1					

零部件名称: 燃油系统

PARTS NAME: FUEL



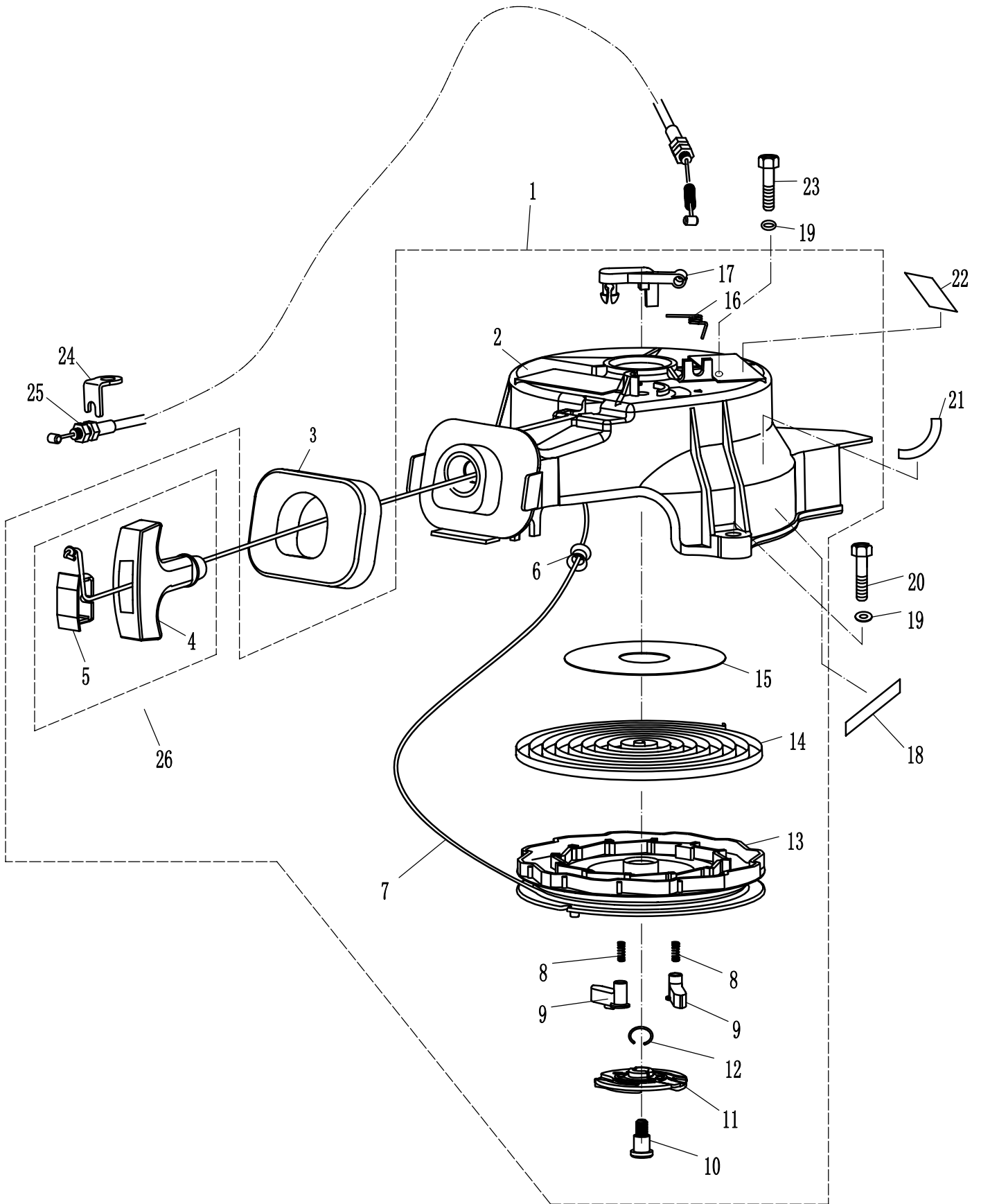






零部件名称: 起动机组件

PARTS NAME: STARTER



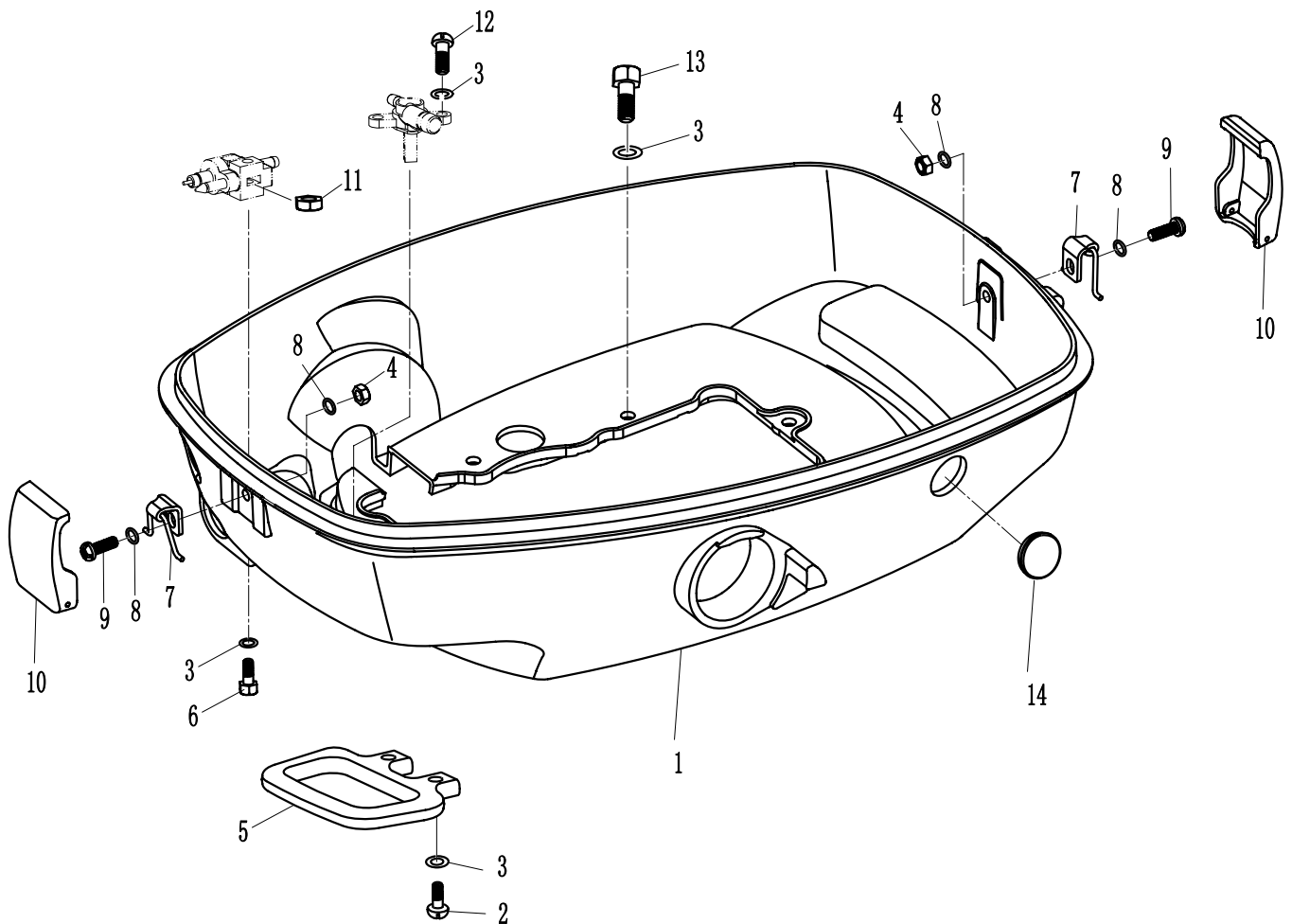


零部件名称:

底罩

PARTS NAME:

BOTTOM COWLING



SN. 参照号码	PART NO. 零件编号	DESCRIPTION 零件名称(中文)	DESCRIPTION 零件名称(英文)	QTY 数量					REMARKS 备注
1	F4-0500001-A	底罩	BOTTOM COWLING	1					
2	GB/T818-M6x14	十字槽盘头螺钉 M6x14	PAN HEAD SCREW M6x14	2					
3	GB/T97.1-6	平垫圈6	PLAIN WASHER 6	12					
4	GB/T889.1-M5	非金属嵌件六角锁紧螺母M5	NUT, LOCKING M5	2					
5	F4-05000016-A	手把	CARRYING HANDLE	1					
6	GB/T5783-M6x25	六角头螺栓 M6x25	HEXAGON BOLT M6x25	1					
7	F4-05000020	顶罩锁紧钩座组件	SEAT ASSY, LOCKING HOOK	2					
8	GB/T97.1-5	平垫圈 5	PLAIN WASHER 5	4					
9	GB/T818-M5x16	十字槽盘头螺钉M5x16	PAN HEAD SCREW M5x16	2					
10	F4-05000023	顶罩锁紧钩	LOCKING HOOK	2					
11	GB/T6170-M6	六角螺母 M6	HEXAGON NUT M6	1					
12	GB/T818-M6x12	十字槽盘头螺钉M6x12	PAN HEAD SCREW M6x12	2					
13	GB/T5783-M6x14	六角头螺栓M6x14	HEXAGON BOLT M6x14	7					
14	F4-05000013-2	橡胶闷盖B	COVER, RUBBER	1					

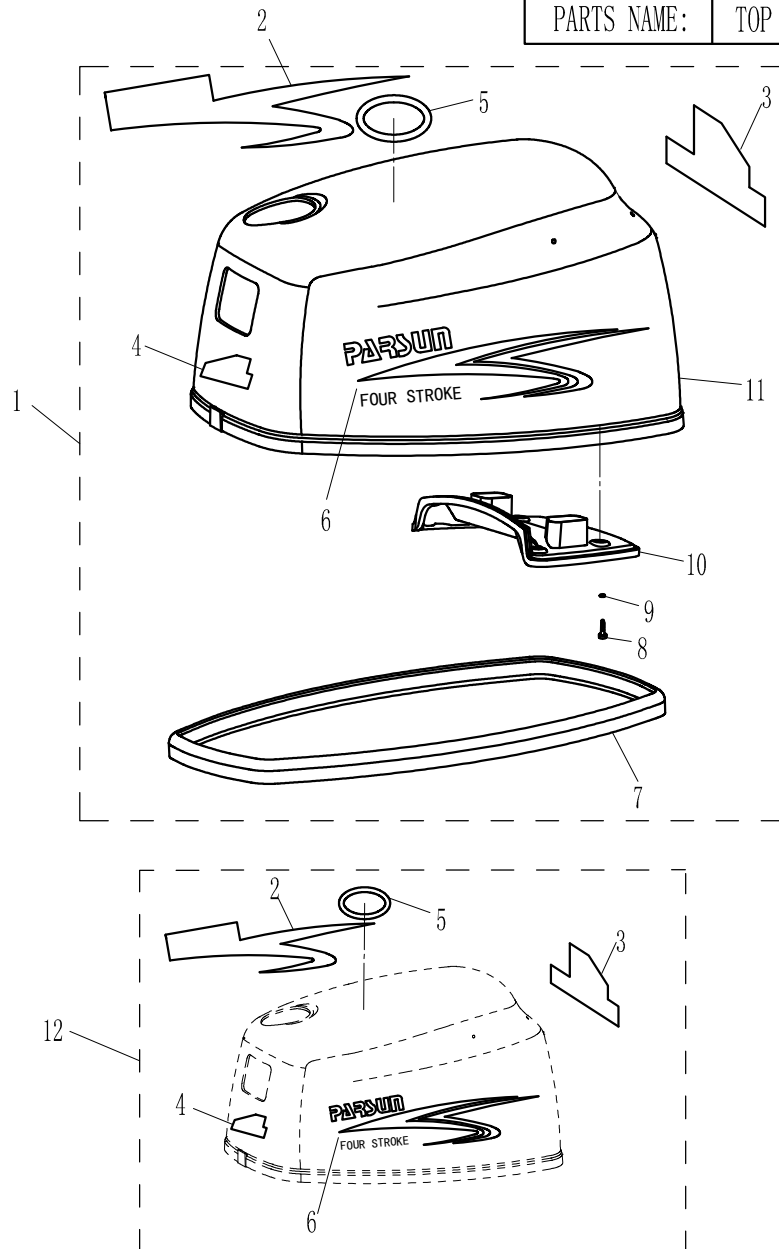


零部件名称:

顶罩

PARTS NAME:

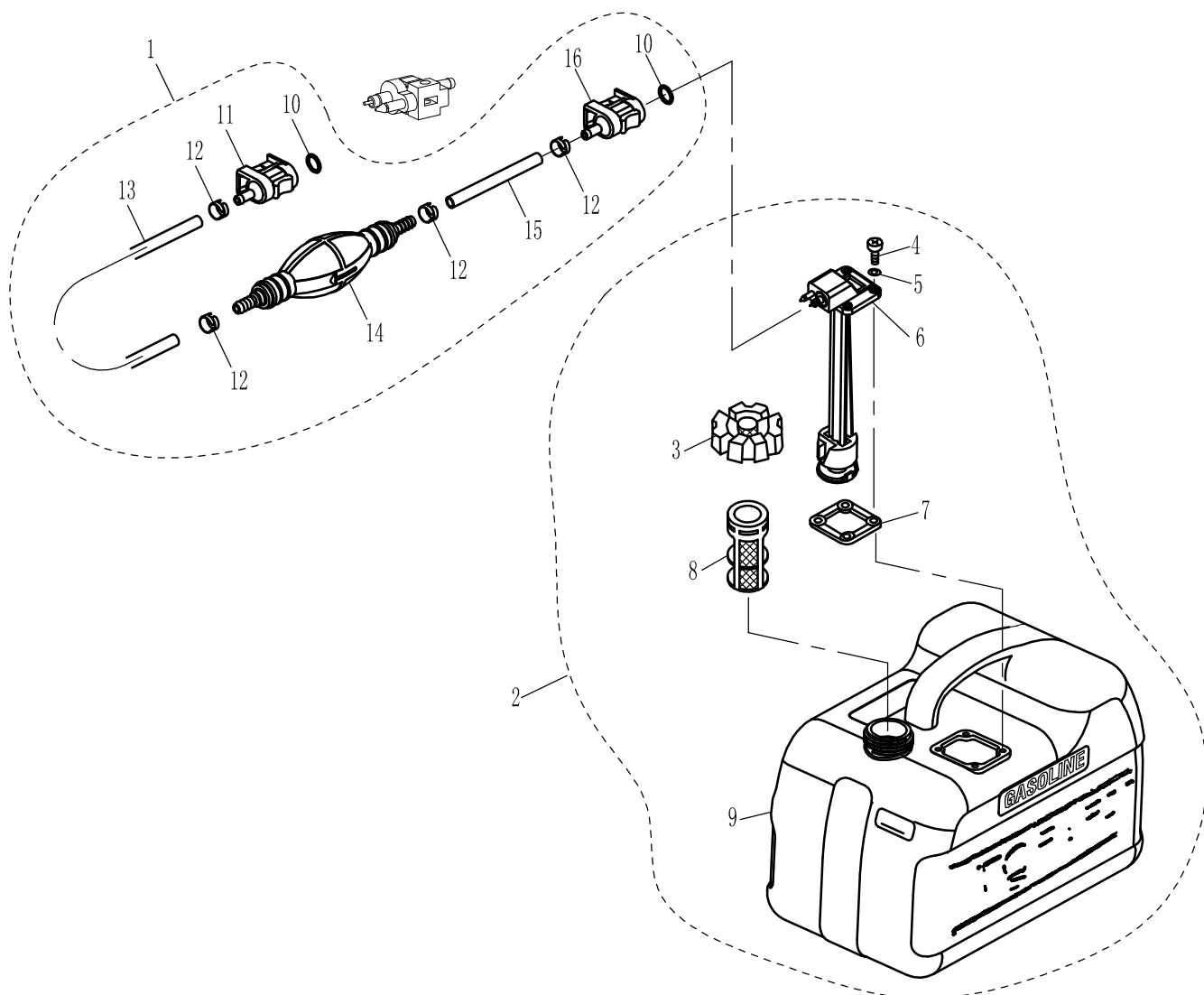
TOP COWLING



SN. 参照号码	PART NO. 零件编号	DESCRIPTION 零件名称(中文)	DESCRIPTION 零件名称(英文)	QTY 数量				REMARKS 备注
1	F4-0600000-A	顶罩组件	TOP COWLING ASSY	1				
2	F4-08000001	标贴1	STICKER 1	1				
3	F4-08000003	标贴3	STICKER 3	1				F4
	F4-08000005	标贴5	STICKER 5	1				F5
4	F4-08000004	标贴4	STICKER 4	1				F4
	F4-08000006	标贴6	STICKER 6	1				F5
5	F4-08000019	标贴19	STICKER 19	1				
6	F4-08000002	标贴2	STICKER 2	1				
7	F4-06000002-A	密封橡胶条	RUBBER SEAL, TOP COWLING	1				
8	GB/T845-ST5.5x19	十字槽盘头自攻螺钉ST5.5x19	PAN HEAD SCREW ST5.5x19	4				
9	F4-06000004	橡胶垫片	RUBBER GASKET	4				
10	F4-06000003-A	顶罩消音盖	COVER, TOP COWING MUFFLING	1				
11	F4-06000001-A	顶罩	TOP COWLING	1				
12	F4-0800000-4	标贴总成	STICKER ASSY	1				F4
	F4-0800000-5	标贴总成	STICKER ASSY	1				F5

零部件名称: 外燃油箱(12L)

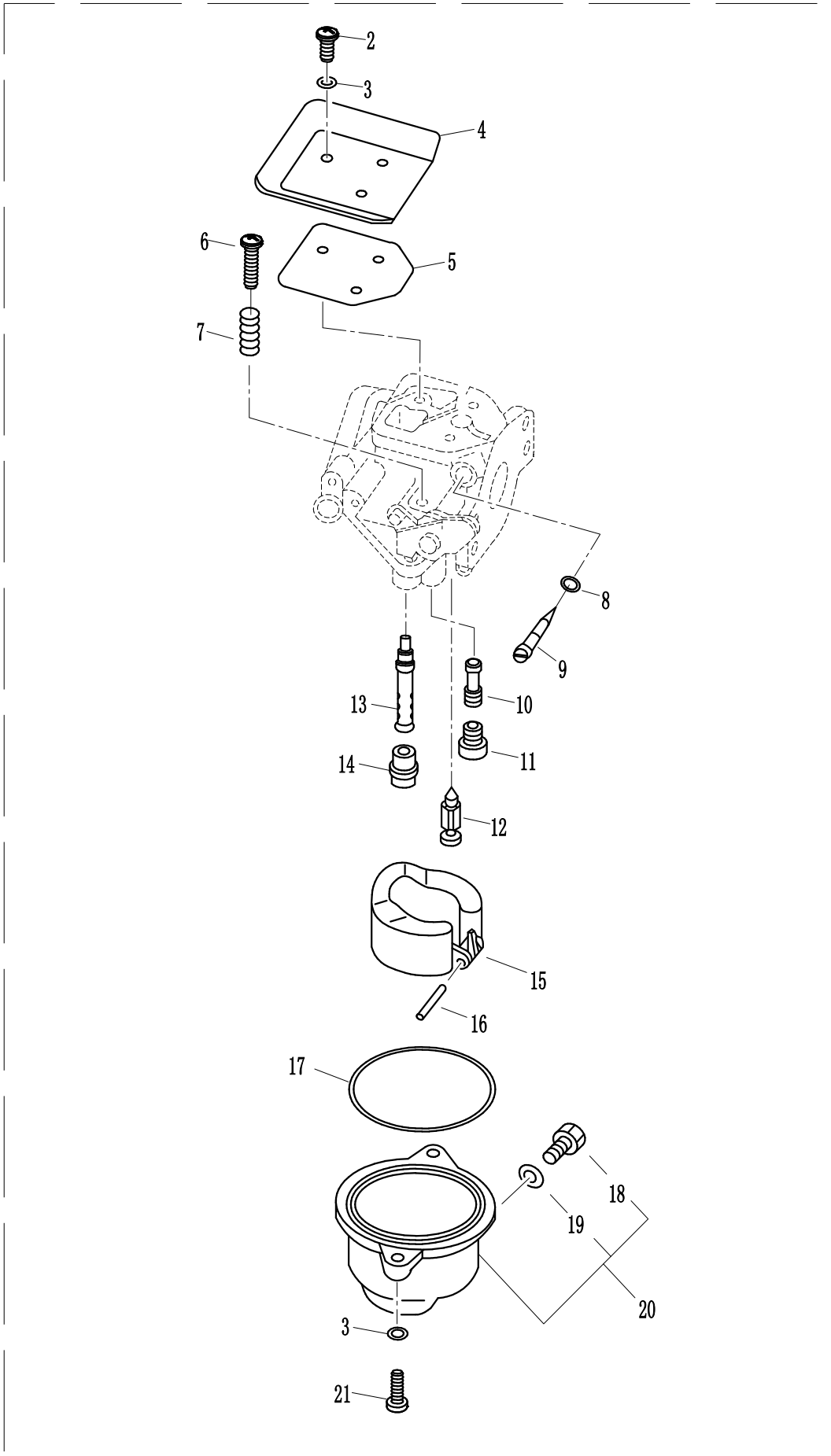
PARTS NAME: OUTER FUEL TANK(12L)



SN. 参照号码	PART NO. 零件编号	DESCRIPTION 零件名称(中文)	DESCRIPTION 零件名称(英文)	QTY 数量					REMARKS 备注
1	F15-0900000	油管总成	FUEL LINE ASSY	1					
2	F8-1000000	油箱组件 (12L)	PORTABLE FUEL TANK ASSY (12L)	1					
3	F15-1001000	油箱盖组件	CAP ASSY, FUEL TANK	1					
4	GB/T818-M5x16	十字槽盘头螺钉M5×16	PAN HEAD SCREW M5x16	4					
5	GB/T97.1-5	平垫圈5	PLAIN WASHER 5	4					
6	F15-1002000	油量表总成	OLEOMETER ASSY	1					
7	F15-1000003	衬垫	GASKET, OLEOMETER ASSY	1					
8	F15-1000002	油箱滤网	STRAINER, FUEL TANK	1					
9	F8-1000001	油箱本体	FUEL TANK	1					(12L)
10	JASO F404-78-31	O形圈7.8x3.1	O-RING 7.8x3.1	2					
11	F15-0902000	燃油接头组件(出)	FUEL LINE CONNECTOR(ENGINE SIDE, FEMALE)	1					
12	F15-0900003	卡箍 B	CLAMP B	4					
13	F15-0900001	油管A(φ10xφ6φ2080)	FUEL LINE A(φ10xφ6x2080)	1					
14	F15-0903000	手动油泵组件	PRIMER BULB ASSY	1					
15	F15-0900002	油管B(φ10xφ6φ850)	FUEL LINE B(φ10xφ6x850)	1					
16	F15-0901000	燃油接头组件(进)	FUEL LINE CONNECTOR(FUEL TANK SIDE, FEMALE)	1					

零部件名称: 化油器总成

PARTS NAME: CARBURETOR ASSY

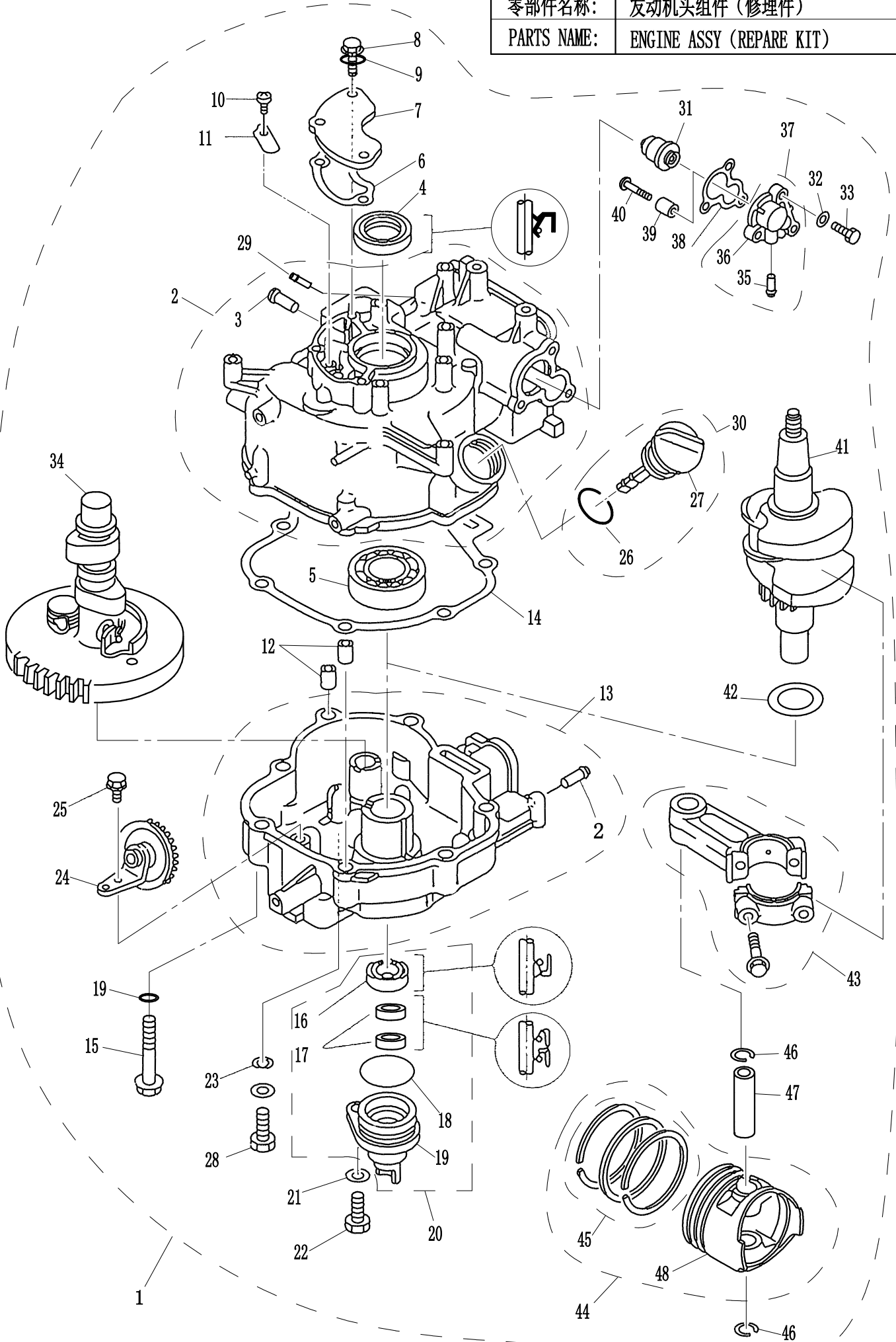






零部件名称: 发动机头组件 (修理件)

PARTS NAME: ENGINE ASSY (REPAIR KIT)



零部件名称:

发动机头组件 (修理件)

PARTS NAME:

ENGINE ASSY (REPAIR KIT)

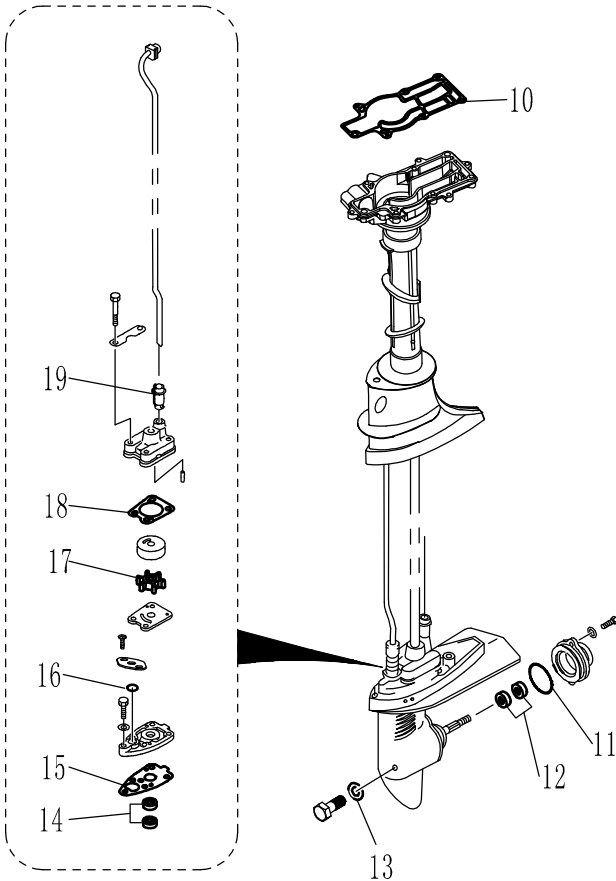
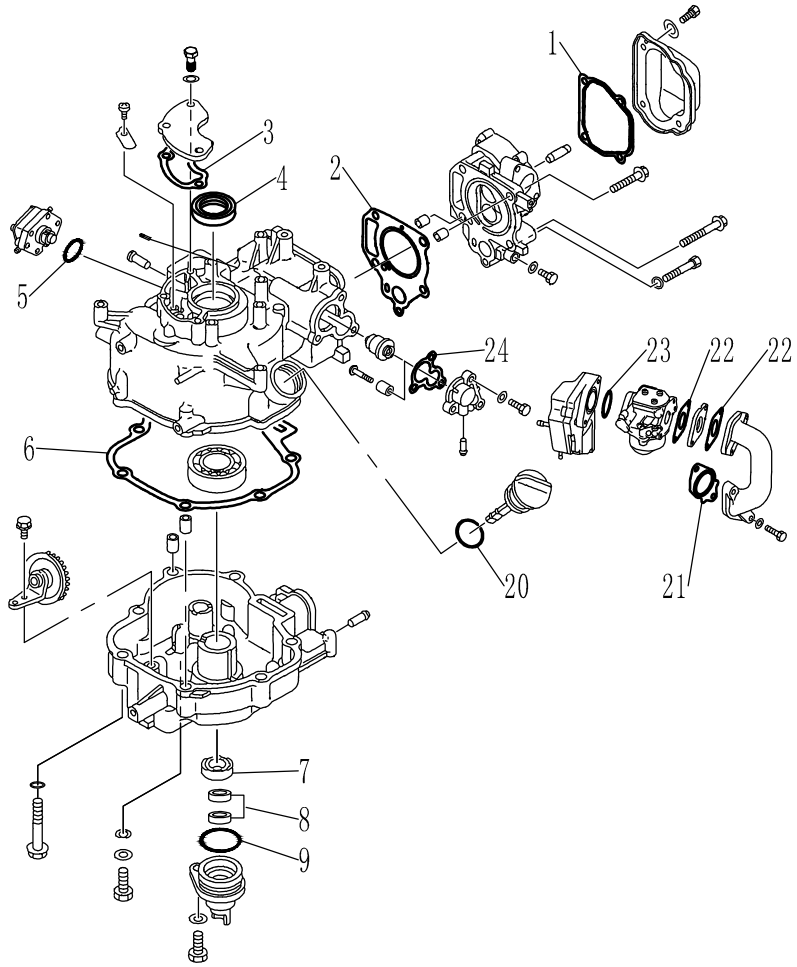
SN. 参照号码	PART NO. 零件编号	DESCRIPTION 零件名称 (中文)	DESCRIPTION 零件名称 (英文)	QTY 数量					REMARKS 备注
1	F4-04150000	发动机头组件	ENGINE BLOCK ASSY	1					
2	F4-04010100	曲轴箱体组件	CRANK CASE	1					
3	F4-04010102	气嘴	PIPE, JOINT	2					
4	F4-04010004	曲轴油封 A 25x40x5	OIL SEAL A 25x40x5	1					
5	GB/T276-6205C3	深沟球轴承6205C3	DEEP GROOVE BALL BEARING 6205C3	1					
6	F4-04000009	呼吸器密封垫	GASKET, BREATHER	1					
7	F4-04000010	呼吸器盖板	COVER, BREATHER	1					
8	GB/T5783-M6x14	六角头螺栓M6x14	HEXAGON BOLT M6x14	3					
9	GB/T97.1-6	平垫圈6	PLAIN WASHER 6	3					
10	GB/T818-M4x6	十字槽盘头螺钉M4x6	PAN HEAD SCREW M4x6	1					
11	F4-04010003	呼吸器阀片	VALVE, BREATHER	1					
12	F4-04000003	空心定位销 $\phi$ 10x8.4x14	HOLLOW PIN $\phi$ 10x8.4x14	2					
13	F4-04050200	曲轴箱盖组件	COVER, CRANK CASE	1					
14	F4-04000002	曲轴箱体复合垫	CRANK CASE COMPLEX GASKET	1					
15	F4-04000039	凸缘螺栓M8x50	FLANGE BOLT M8x50	7					
16	F2.6-04010001	曲轴油封20x30x7(B)	OIL SEAL 20x30x7(B)	1					
17	F4-04060004	驱动轴上油封10.8x21x7	OIL SEAL 10.8x21x7	2					
18	GB/T345.2-32.5x1.8	滤杯密封圈 32.5x1.8	O-RING 32.5x1.8	1					
19	F4-04060001	油封壳体	SHELL, OIL SEAL	1					
20	F4-04060000	油封壳体组件	OIL SEAL SHELL ASSY	1					
21	GB/T97.1-8	平垫圈8	PLAIN WASHER 8	8					
22	GB/T5783-M8x20	六角头螺栓M8x20	HEXAGON BOLT M8x20	1					
23	F4-04000006	放油螺栓密封垫	GASKET, OIL DRAIN BOLT	1					
24	F4-04050100	甩油轮组件	OIL SPLASH GEAR ASSY	1					
25	GB/T5783-M6x12	六角头螺栓M6x12	HEXAGON BOLT M6x12	1					
26	JASO F404-35-022	O型圈 22.4x3.5	O-RING 22.4x3.5	1					
27	F4-04000007	带尺机油盖	PLUG WITH DIPSTICK	1					
28	F4-04000001	放油螺栓	OIL DRAIN BOLT	1					
29	F2.6-04010103	出水嘴	WATER PIPE, OUT	1					
30	F4-04000036	带尺机油盖组件	PLUG WITH DIPSTICK ASSY	1					
31	T15-04000010	节温器	THERMOSTAT	1					
32	GB/T97.1-6	平垫圈6	PLAIN WASHER 6	8					
33	GB/T5783-M6x20	六角头螺栓 M6x20	HEXAGON BOLT M6x20	3					
34	F4-04040000	凸轮减压组件	CAMSHAFT ASSY	1					
35	F4-04010102	水咀	PIPE, JOINT	1					
36	F4-04070101	节温器盖	COVER, THERMOSTAT	1					
37	F4-04070100	节温器盖水咀组件	THERMOSTAT COVER ASSY	1					
38	F4-04000011	节温器盖密封垫	GASKET, THERMOSTAT COVER	1					
39	F4-04070003	节温器盖阳极	ANODE, THERMOSTAT COVER	1					
40	GB/T818-M5x25	十字槽盘头螺钉 M5x25	PAN HEAD SCREW M5x25	1					
41	F4-04030000	曲轴组件	CRANKSHAFT ASSY	1					
42	F4-04000004	箱盖减磨片	THRUST WASHER, CRANK CASE	1					
43	F4-04020100	连杆组件	CONNECTING ROD ASSY	1					





零部件名称: 附录(修理件)

PARTS NAME: APPENDIX (REPAIR KIT)





零部件名称:

零件目录检索表

PARTS NAME:

PARTS CATALOGUE INDEX

零件代号 PART NO.	页码/序号 PAGE/NO.	零件代号 PART NO.	页码/序号 PAGE/NO.	零件代号 PART NO.	页码/序号 PAGE/NO.
BPR7HS	15-8	F4-01030005	3-17	F4-03000012	8-14
JASO F404-24-031	18-4	F4-01030100	3-18	F4-03000013	8-4
JASO F404-31-008	24-10	F4-01030103	3-13	F4-03000015	8-9
JASO F404-35-022	12-25	F4-01050000	3-4	F4-03000016	8-38
JB/T7940.1-M6	6-5	F4-01060000	3-38	F4-03000017	8-7
JISB2401-P48	8-21	F4-01060001	3-37	F4-03000018	8-6
JISB2401-P9	1-3	F4-01060002	3-35	F4-03000019	8-5
		F4-01070000	3-23	F4-03000020	7-2
		F4-01090001	5-1	F4-03000021	7-3
T15-04000010	15-13	F4-01090002	5-22	F4-03000022	9-6
166F-000001	14-2	F4-01090003	5-19	F4-03000023	8-25
166F-010003	14-12	F4-01090004	5-27	F4-03000024	8-26
166F-010008	14-5	F4-01090006	5-14	F4-03000025	9-5
166F-010009	14-6	F4-01090007	5-15	F4-03000026	9-3
166F-010010	14-7	F4-01090008	5-24	F4-03000028	8-43
166F-010011	14-8	F4-01090100	5-20	F4-03010000	8-33
F2.6-03000009	8-10	F4-01090200	5-12	F4-03020000L	8-11
F2.6-04010001	12-15	F4-01090300	5-18	F4-03020000S	
F2.6-04010103	12-28	F4-01090400	5-26	F4-03030001	8-36
		F4-01090401	5-25	F4-03030002	8-34
		F4-0200002A	6-13	F4-03030003	8-35
F4-00000001	6-2	F4-02000003	1-5	F4-03040000	8-18
	9-10	F4-02000004	1-11	F4-03050000	8-42
F4-00000003	1-12	F4-02000006	1-10	F4-03050001	8-22
F4-00000004	1-13	F4-02000007	3-2	F4-03050002	8-20
F4-00000005	1-14	F4-02000008	3-1	F4-03060000	8-8
F4-00000006	6-1	F4-02000009	3-24	F4-03070000	9-4
F4-00000007	1-1	F4-02000011	6-7	F4-03080000	9-2
F4-01000002	3-6	F4-02000012	6-8	F4-03100000L	9-13
F4-01000003	3-12	F4-02000013	21-25	F4-03100000S	
F4-01000004	3-25	F4-02000100	6-6	F4-04000001	12-27
F4-01000005	3-33	F4-02010000-B	1-2	F4-04000002	12-13
F4-01000006	3-20	F4-02020000	3-3	F4-04000003	15-5
F4-01000007	3-21	F4-02030001	6-12		
F4-01000008	5-7	F4-02030002	6-11	F4-04000004	13-7
F4-01000009	5-2	F4-02030003	6-10	F4-04000005	21-24
F4-01000010	5-4	F4-02040001L	9-11	F4-04000006	12-22
F4-01000011	5-6	F4-02040001S			15-12
F4-01000012	5-3	F4-02040002	9-12	F4-04000007	12-26
F4-01000014	5-8	F4-03000001	8-27	F4-04000009	12-5
F4-01010000	3-32	F4-03000002	8-31	F4-04000010	12-6
F4-01010002	3-28	F4-03000003	8-24	F4-04000011	15-20
F4-01010003	3-29	F4-03000004L	8-37	F4-04000012	15-16
F4-01010004	3-27	F4-03000004S		F4-04000014	15-6
F4-01010005	3-26	F4-03000005	8-39	F4-04000015	14-3
F4-01020000	3-7	F4-03000006	8-30	F4-04000017	15-3
F4-01030001	3-9	F4-03000007	8-29	F4-04000018	15-2
F4-01030002	3-15	F4-03000008	8-32	F4-04000019	10-9
F4-01030003	3-14	F4-03000009	8-17	F4-04000020	10-3
F4-01030004	3-19	F4-03000011	8-15	F4-04000021	10-2

零部件名称:

零件目录检索表

PARTS NAME:

PARTS CATALOGUE INDEX

零件代号 PART NO.	页码/序号 PAGE/NO.	零件代号 PART NO.	页码/序号 PAGE/NO.	零件代号 PART NO.	页码/序号 PAGE/NO.
F4-0400022	18-11	F4-04090003A	17-33	F4-04140200	26-15
F4-0400023	18-12	F4-04090004	17-3	F4-04140300	26-20
F4-0400024	18-5	F4-04090006	17-10	F4-04140301	26-18
F4-0400025	18-6	F4-04090007	17-9	F4-04140302	26-19
F4-0400026	10-1	F4-04090008	17-7	F4-05000001-A	22-1
F4-0400028	17-15	F4-04090009	17-13	F4-05000005	17-28
F4-0400030	17-16	F4-04090100	17-5	F4-05000006	17-25
	19-7	F4-04090100A	17-4	F4-05000007	17-22
F4-0400031-1	18-9	F4-04100000	10-4	F4-05000008	17-20
F4-0400031-2	17-14	F4-04110000	18-3	F4-05000010	17-27
F4-0400033	15-10	F4-04110003	18-7	F4-05000013-2	22-14
F4-0400034	15-9	F4-04120001	19-1	F4-05000014	5-5
F4-0400035	18-8	F4-04120002	19-5	F4-05000016-A	22-5
F4-0400036	12-29	F4-04120003	19-6	F4-05000020	22-7
F4-0400038	10-6	F4-04120004	19-3	F4-05000023	22-10
F4-0400039	12-14	F4-04120005	19-8	F4-05000100	17-26
F4-0400042	18-15	F4-04120100	19-2	F4-05000101	17-29
F4-04010003	12-10	F4-04130000	21-1	F4-05000200	17-24
F4-04010004	12-3	F4-04130001	21-2	F4-05000300	17-21
F4-04010100	12-1	F4-04130003	21-9	F4-05000400	18-10
F4-04010102	12-2	F4-04130004	21-8	F4-06000000-A	23-1
	15-17	F4-04130005	21-14	F4-06000001-A	23-11
F4-04020001	13-4	F4-04130006	21-11	F4-06000002-A	23-7
F4-04020005	13-3	F4-04130007	21-12	F4-06000003-A	23-10
F4-04020006	13-2	F4-04130008	21-10	F4-06000004	23-9
F4-04020010	13-1	F4-04130009	21-17	F4-08000000-4	23-12
F4-04020100	13-5	F4-04130010	21-16	F4-08000000-5	23-12
F4-04020200	13-8	F4-04130011	21-7	F4-08000001	23-2
F4-04030000	13-6	F4-04130013	21-6	F4-08000002	23-6
F4-04040000	14-1	F4-04130014	21-15	F4-08000003	23-3
F4-04050100	12-23	F4-04130018	21-3	F4-08000004	23-4
F4-04050200	12-12	F4-04130019	21-13	F4-08000005	23-3
F4-04060000	12-19	F4-04130100	21-26	F4-08000006	23-4
F4-04060001	12-18	F4-04130101	21-4	F4-08000009	21-21
F4-04060004	8-16	F4-04130102	21-5	F4-08000012	5-13
F4-04060004	12-16	F4-04140000	18-14	F4-08000013	21-18
F4-04070003	15-21	F4-04140000	26-1	F4-08000014	5-10
F4-04070100	15-19	F4-04140002	26-4	F4-08000015	5-23
F4-04070101	15-18	F4-04140003	26-5	F4-08000016	21-22
F4-04080005A	14-9	F4-04140004	26-6	F4-08000018	3-8
F4-04080006A	14-10	F4-04140005	26-7	F4-08000019	23-5
F4-04080007	14-11	F4-04140008	26-8		
F4-04080008	14-13	F4-04140009	26-9		
F4-04080009	14-4	F4-04140010	26-10		
F4-04080100	15-4	F4-04140011	26-11	F8-05030006	14-14
F4-04090000	17-12	F4-04140012	26-12	F8-05030007	14-15
F4-04090001	17-8	F4-04140013	26-13	F8-10000000	24-2
F4-04090001A	17-31	F4-04140014	26-14	F8-10000001	24-9
F4-04090002A	17-32	F4-04140018	26-16		
F4-04090003	17-2	F4-04140019	26-17		

零部件名称:	零件目录检索表
PARTS NAME:	PARTS CATALOGUE INDEX

零件代号 PART NO.	页码/序号 PAGE/NO.	零件代号 PART NO.	页码/序号 PAGE/NO.	零件代号 PART NO.	页码/序号 PAGE/NO.
F15-05000011	17-23				
F15-09000000	24-1				
F15-09000001	24-13				
F15-09000002	24-15				
F15-09000003	24-12				
F15-09010000	24-16				
F15-09020000	24-11				
F15-09030000	24-14				
F15-10000002	24-8				
F15-10000003	24-7				
F15-10010000	24-3				
F15-10020000	24-6				
T20-06000030	12-11				