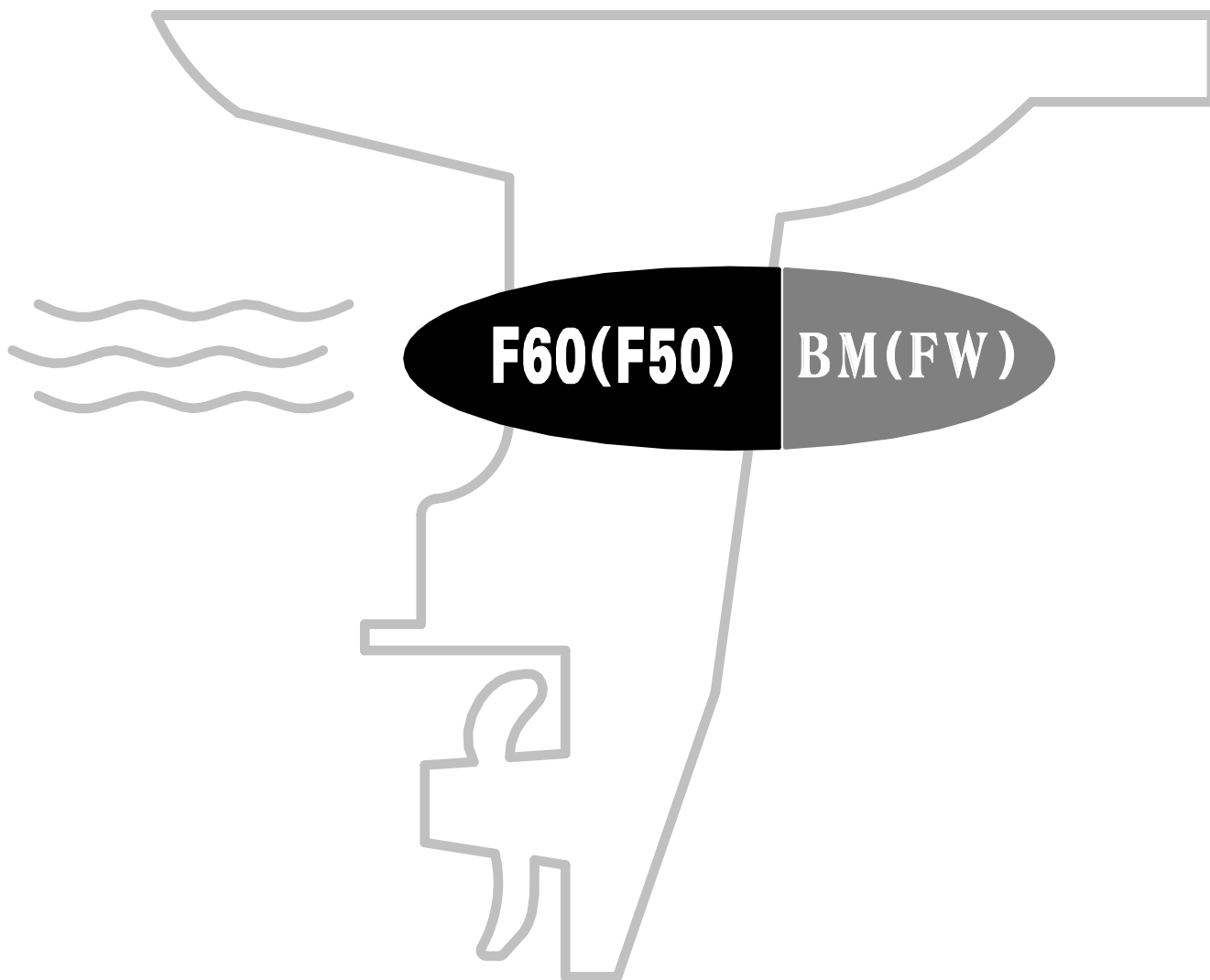


# 零件目录

# PARTS CATALOGUE



苏州百胜动力机器股份有限公司

SUZHOU PARSUN POWER MACHINE CO., LTD

# 目录

## CONTENTS

|                             |         |
|-----------------------------|---------|
| 托架-----                     | 1 ~ 3   |
| BRACKET-----                | 1 ~ 3   |
| 操舵系统-----                   | 4 ~ 6   |
| STEERING-----               | 4 ~ 6   |
| 水上装置壳体-----                 | 7 ~ 8   |
| UPPER CASING-----           | 7 ~ 8   |
| 油底壳组件-----                  | 9 ~ 10  |
| OIL PAN ASSY-----           | 9 ~ 10  |
| 底罩-----                     | 11 ~ 13 |
| BOTTOM COWLING-----         | 11 ~ 13 |
| 控制系统-----                   | 14 ~ 15 |
| CONTROL SYSTEM-----         | 14 ~ 15 |
| 水下装置壳体&驱动系统 1-----          | 16 ~ 18 |
| LOWER CASING & DRIVE 1----- | 16 ~ 18 |
| 水下装置壳体&驱动系统 2-----          | 19 ~ 20 |
| LOWER CASING & DRIVE 2----- | 19 ~ 20 |
| 电气 1-----                   | 21 ~ 22 |
| ELECTRICAL 1-----           | 21 ~ 22 |
| 电气 2-----                   | 23 ~ 24 |
| ELECTRICAL 2-----           | 23 ~ 24 |
| 电气 3-----                   | 25 ~ 26 |
| ELECTRICAL 3-----           | 25 ~ 26 |
| 进气系统-----                   | 27 ~ 28 |
| INTAKE-----                 | 27 ~ 28 |
| 气缸头-----                    | 29 ~ 30 |
| CYLINDER HEAD-----          | 29 ~ 30 |
| 曲轴&活塞-----                  | 31 ~ 32 |
| CRANKSHAFT & PISTON-----    | 31 ~ 32 |
| 曲轴箱-----                    | 33 ~ 34 |
| CRANKCASE-----              | 33 ~ 34 |
| 油泵-----                     | 35 ~ 36 |
| OIL PUMP-----               | 35 ~ 36 |
| 阀门-----                     | 37 ~ 38 |
| VALVE-----                  | 37 ~ 38 |
| 燃油系统-----                   | 39 ~ 40 |
| FUEL SYSTEM-----            | 39 ~ 40 |
| 电动燃油泵组件-----                | 41 ~ 42 |
| ELECTRIC OIL PUMP ASSY----- | 41 ~ 42 |
| 燃油共轨-----                   | 43 ~ 44 |
| FUEL COMMON RAIL-----       | 43 ~ 44 |

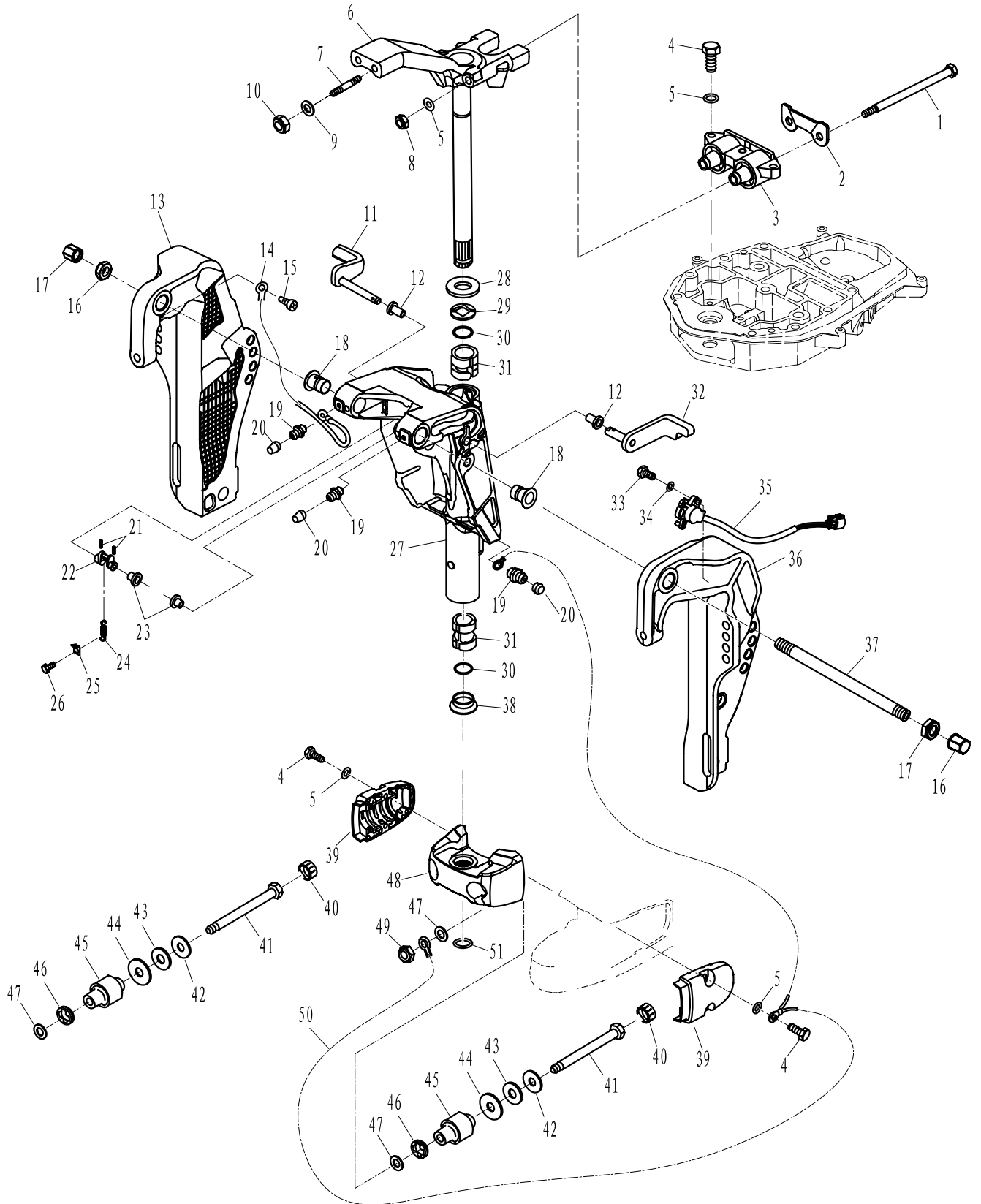
|                                 |         |
|---------------------------------|---------|
| 顶罩组件                            | 45 ~ 46 |
| TOP COWLING ASSY                | 45 ~ 46 |
| 液压起翘系统 1                        | 47 ~ 48 |
| HYDRAULIC TILT ASSY 1           | 47 ~ 48 |
| 液压起翘系统 2                        | 49 ~ 51 |
| HYDRAULIC TILT ASSY 2           | 49 ~ 51 |
| 手动起翘(手操)                        | 52      |
| MANUAL TILT (MANUAL CONTROL)    | 52      |
| 转向连杆组件                          | 53      |
| LINK ROD ASSY                   | 53      |
| 操纵盒组件                           | 54 ~ 56 |
| CONTROL BOX ASSY                | 54 ~ 56 |
| 外燃油箱                            | 57      |
| OUTER FUEL TANK                 | 57      |
| 发动机头组件(修理件)                     | 58 ~ 59 |
| ENGINE ASSY (REPAIR KIT)        | 58 ~ 59 |
| 气缸头总成(修理件)                      | 60 ~ 61 |
| CYLINDER HEAD ASSY (REPAIR KIT) | 60 ~ 61 |
| 附录1(修理件)                        | 62 ~ 63 |
| APPENDIX 1 (REPAIR KIT)         | 62 ~ 63 |
| 附录2(修理件)                        | 64 ~ 65 |
| APPENDIX 2 (REPAIR KIT)         | 64 ~ 65 |
| 零件目录检索表                         | I ~ V   |
| PARTS CATALOGUE INDEX           | I ~ V   |

零部件名称:

托架

PARTS NAME:

BRACKET





零部件名称:

托架

PARTS NAME:

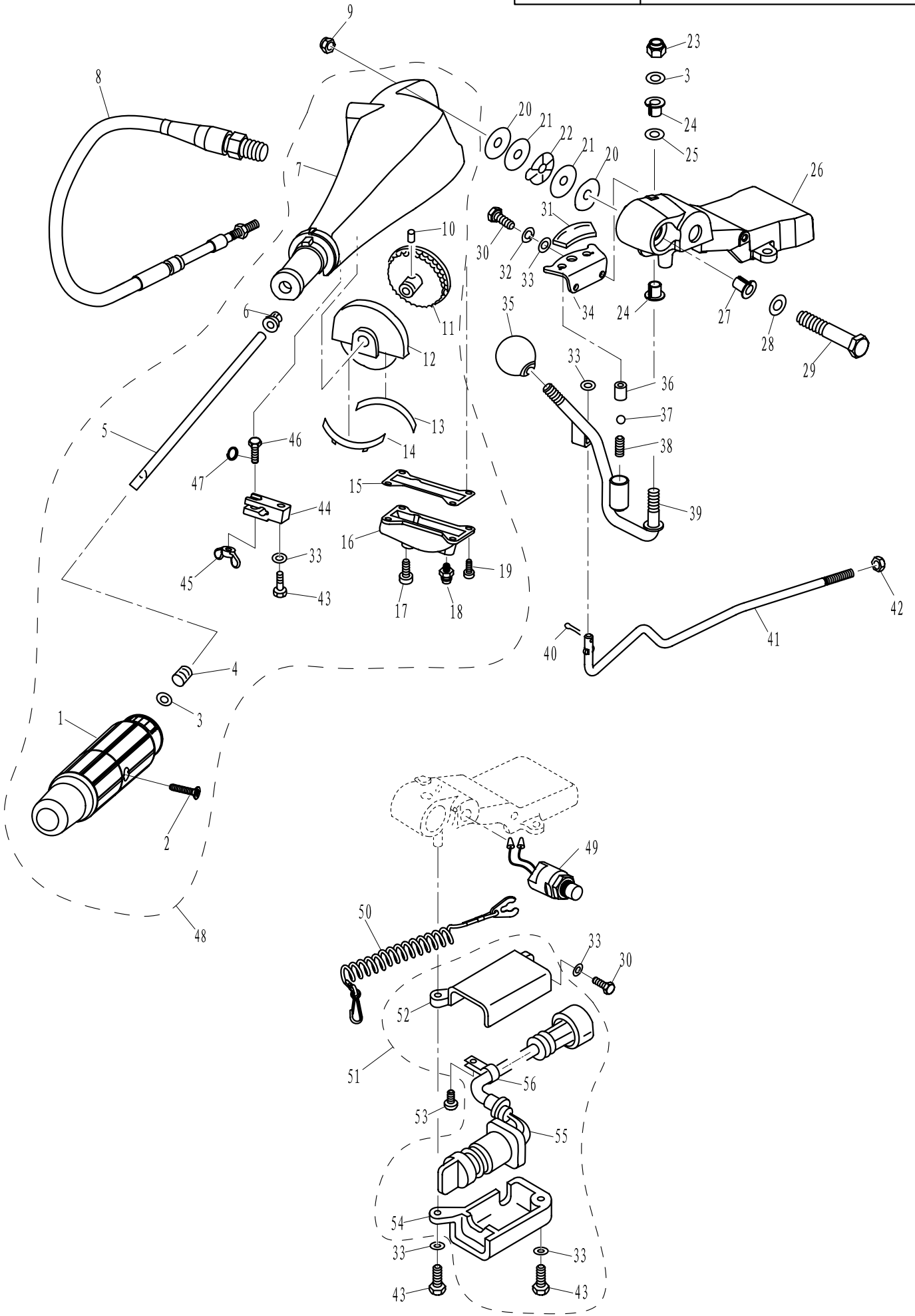
BRACKET

| SN.<br>参照号码 | PART NO.<br>零件编号   | DESCRIPTION<br>零件名称(中文) | DESCRIPTION<br>零件名称(英文)          | QTY<br>数量 |  |  |  |  | REMARKS<br>备注 |
|-------------|--------------------|-------------------------|----------------------------------|-----------|--|--|--|--|---------------|
| 1           | F60-02000011       | 长螺栓                     | LONG BOLT                        | 2         |  |  |  |  |               |
| 2           | F60-02000010       | 减震器垫板                   | PLATE, ABSORBER                  | 1         |  |  |  |  |               |
| 3           | F60-02020000       | 双孔减震器组件                 | SHOCK ABSORBER ASSY, DOUBLE HOLE | 1         |  |  |  |  |               |
| 4           | GB/T5783-M8x30     | 六角螺栓 M8x30              | BOLT M8x30                       | 7         |  |  |  |  |               |
| 5           | GB/T97.1-8         | 平垫圈8                    | WASHER 8                         | 9         |  |  |  |  |               |
| 6           | F60-01020000       | 操舵托架组件                  | BRACKET ASSY                     | 1         |  |  |  |  |               |
| 7           | T85-01020008       | 双头螺栓 M10x1.25x28        | BOLT M10x1.25x28                 | 2         |  |  |  |  |               |
| 8           | GB/T889.1-M8x1.25  | I型非金属嵌件六角锁紧螺母M8x1.25    | LOCK NUT M8x1.25                 | 2         |  |  |  |  |               |
| 9           | GB/T97.1-10        | 平垫圈10                   | WASHER 10                        | 2         |  |  |  |  |               |
| 10          | GB/T889.2-M10x1.25 | I型非金属嵌件六角锁紧螺母M10x1.25   | LOCKNUT M10x1.25                 | 2         |  |  |  |  |               |
| 11          | F60-01010104       | 支撑架组件B                  | SUPPORTING ASSY B                | 1         |  |  |  |  |               |
| 12          | T85-01010203       | 支撑架尼龙衬套                 | BUSH, NYLON                      | 2         |  |  |  |  |               |
| 13          | F60-01010002       | 夹紧托架(右)                 | BRACKET, CLAMP (RIGHT)           | 1         |  |  |  |  |               |
| 14          | T85-01010003       | 接地钢索A                   | WIRE, LEAD A                     | 1         |  |  |  |  |               |
| 15          | GB/T818-M6x10      | 十字槽盘头螺钉 M6x10           | SCREW M6x10                      | 1         |  |  |  |  |               |
| 16          | F15-01010007       | 托架夹紧螺母                  | NUT                              | 2         |  |  |  |  |               |
| 17          | F25-01010011       | 塑料装饰螺母                  | PLASTIC NUT                      | 2         |  |  |  |  |               |
| 18          | F60-01010004       | 螺管尼龙衬套                  | BUSH, NYLON                      | 2         |  |  |  |  |               |
| 19          | JB/T7940.1-M6      | 直通式压注油杯 M6              | NIPPLE, GREASE                   | 3         |  |  |  |  |               |
| 20          | T85-01010210       | 油杯胶帽                    | CAP, GREASE NIPPLE               | 3         |  |  |  |  |               |
| 21          | GB/T879.2-3x16     | 轻型直槽弹性圆柱销3x16           | PIN, SPRING                      | 2         |  |  |  |  |               |
| 22          | T85-01010206       | 支撑架摆杆组件                 | COLLAR, DISTANCE                 | 1         |  |  |  |  |               |
| 23          | F60-01010103       | 支撑架尼龙衬套                 | BUSH, NYLON                      | 2         |  |  |  |  |               |
| 24          | T85-01010207       | 摆杆拉簧                    | SPRING                           | 1         |  |  |  |  |               |
| 25          | T85-01010208       | 拉簧支架                    | PLATE                            | 1         |  |  |  |  |               |
| 26          | GB/T5783-M6x10     | 六角螺栓M6x10               | BOLT M6x10                       | 1         |  |  |  |  |               |
| 27          | F60-01010101       | 旋转支架                    | BRACKET                          | 1         |  |  |  |  |               |
| 28          | T85-01020002       | 旋转支架上垫圈                 | WASHER                           | 1         |  |  |  |  |               |
| 29          | T85-01020003       | 旋转支架上衬套                 | BUSH                             | 1         |  |  |  |  |               |
| 30          | T85-01020004       | 旋转支架O形圈                 | O-RING                           | 2         |  |  |  |  |               |
| 31          | T85-01020005       | 旋转支架衬套                  | BUSH                             | 2         |  |  |  |  |               |
| 32          | F60-01010102       | 支撑架组件A                  | SUPPORTING ASSY A                | 1         |  |  |  |  |               |
| 33          | GB/T5783-M6x20     | 六角螺栓 M6x20              | BOLT M6x20                       | 2         |  |  |  |  |               |
| 34          | GB/T97.1-6         | 平垫圈 6                   | WASHER 6                         | 2         |  |  |  |  |               |
| 35          | F60-01010200       | 起翘传感器组件                 | RAISE SENSOR ASSY                | 1         |  |  |  |  |               |
| 36          | F60-01010001       | 夹紧托架(左)                 | BRACKET, CLAMP (LEFT)            | 1         |  |  |  |  |               |
| 37          | F60-01010003A      | 夹紧托架双头螺管                | DOUBLE-EDGED TUBE                | 1         |  |  |  |  |               |
| 38          | T85-01020006       | 旋转支架下衬套                 | BUSH                             | 1         |  |  |  |  |               |
| 39          | F60-00000005       | 减震器外盖                   | COVER, ABSORBER                  | 2         |  |  |  |  |               |
| 40          | F60-00000004       | 螺母护盖                    | NUT COVER                        | 2         |  |  |  |  |               |
| 41          | F60-00000001       | 减震器螺钉                   | BOLT, ABSORBER                   | 2         |  |  |  |  |               |
| 42          | T85-00000002       | 螺栓垫圈A                   | WASHER A                         | 2         |  |  |  |  |               |
| 43          | T36-02020003       | 橡胶垫片                    | RUBBER WASHER                    | 2         |  |  |  |  |               |



零部件名称: 操舵系统(手操)

PARTS NAME: STEERING (MANUAL CONTROL)



零部件名称: 操舵系统(手操)

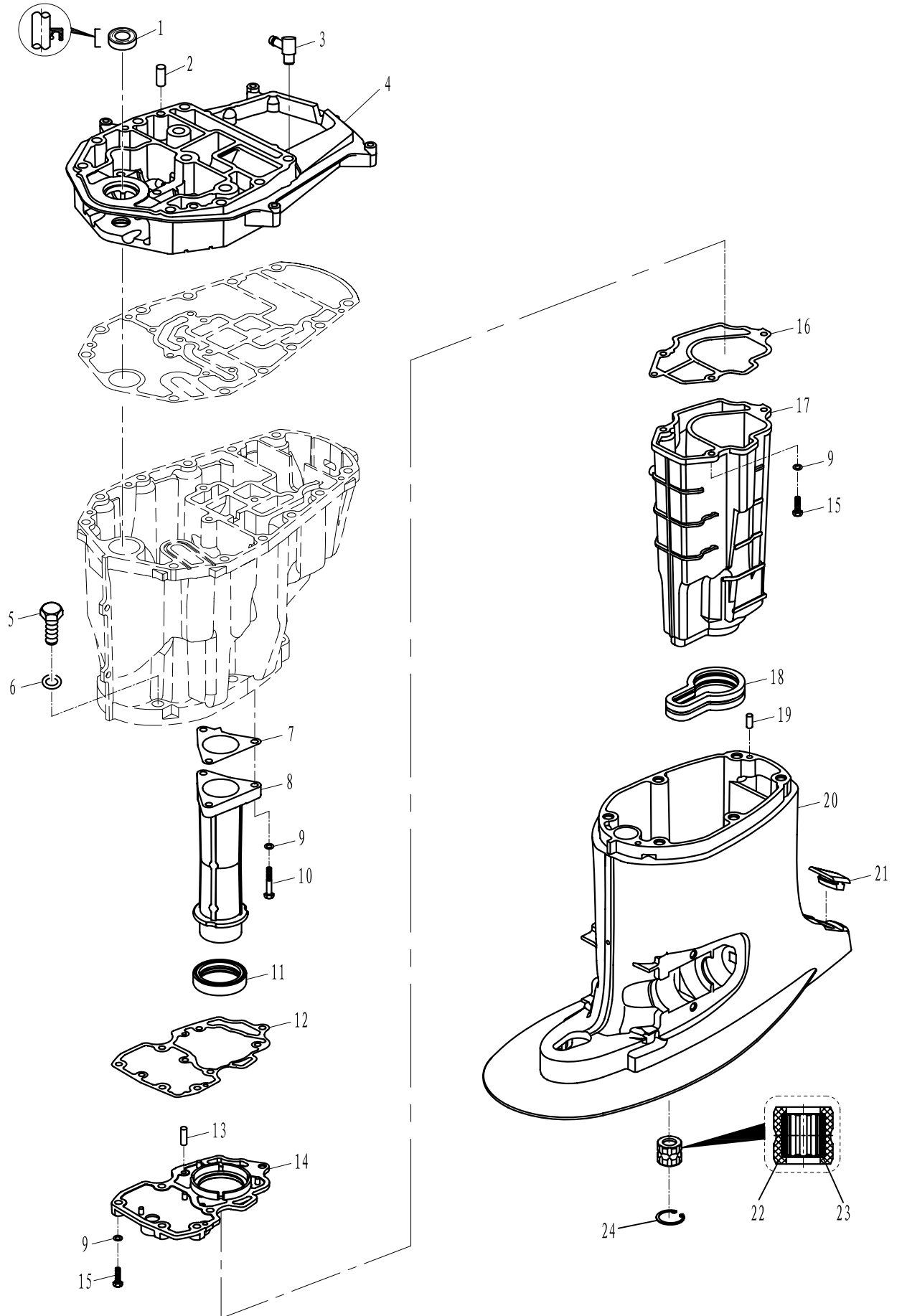
PARTS NAME: STEERING ( MANUAL CONTROL )

| SN.<br>参照号码 | PART NO.<br>零件编号     | DESCRIPTION<br>零件名称(中文) | DESCRIPTION<br>零件名称(英文)     | QTY<br>数量 |  |  |  |  | REMARKS<br>备注 |
|-------------|----------------------|-------------------------|-----------------------------|-----------|--|--|--|--|---------------|
| 1           | F4-01090300          | 操舵手柄塑胶套组件               | STEERING HANDLE ASSY        | 1         |  |  |  |  |               |
| 2           | GB/T820-M5x25        | 十字槽半沉头螺钉 M5x25          | SCREW M5x25                 | 1         |  |  |  |  |               |
| 3           | GB/T848-10           | 小垫圈 10                  | WASHER 10                   | 2         |  |  |  |  |               |
| 4           | F4-01090007          | 压缩弹簧                    | SPRING, COMPRESION          | 1         |  |  |  |  |               |
| 5           | T60-01030101         | 节气门杆芯轴                  | THROTTLE LEVER              | 1         |  |  |  |  |               |
| 6           | F4-01090006          | 衬套                      | BUSH                        | 1         |  |  |  |  |               |
| 7           | T60-01030001         | 操舵手柄                    | HANDLE, STEERING            | 1         |  |  |  |  |               |
| 8           | F60-01030100         | 油门推拉索组件                 | THROTTLE CABLE ASSY         | 1         |  |  |  |  |               |
| 9           | GB/T889. 2-M12x1. 25 | 非金属嵌件六角锁紧螺母 M12x1. 25   | NUT, SELF-LOCKING M12x1. 25 | 1         |  |  |  |  |               |
| 10          | GB/T879. 4-Φ3x16     | 标准型卷制弹性圆柱销 Φ3x16        | PIN Φ3x16                   | 1         |  |  |  |  |               |
| 11          | T85-01030102         | 节气门杆齿轮组件                | GEAR ASSY, THROTTLE LEVER   | 1         |  |  |  |  |               |
| 12          | T85-01030002         | 齿轮盖板                    | HOUSING, GEAR               | 1         |  |  |  |  |               |
| 13          | T85-01030002-1       | 齿轮盖板嵌件A                 | WEDGE A, HOUSING            | 1         |  |  |  |  |               |
| 14          | T60-01030002         | 齿轮盖板嵌件B                 | WEDGE B, HOUSING            | 1         |  |  |  |  |               |
| 15          | T85-01030005         | 盖板密封垫                   | GASKET                      | 1         |  |  |  |  |               |
| 16          | T60-01030003         | 节气门盖板                   | COVER, THROTTLE             | 1         |  |  |  |  |               |
| 17          | GB/T818-M6x6         | 十字槽盘头螺钉 M6x6            | SCREW, PAN HEAD M6x6        | 1         |  |  |  |  |               |
| 18          | JB/T9740. 1-M6       | 直通压注式油杯M6               | NOPPLE, GREASE              | 1         |  |  |  |  |               |
| 19          | GB/T818-M5x12        | 十字槽盘头螺钉 M5x12           | SCREW, PAN HEAD M5x12       | 4         |  |  |  |  |               |
| 20          | T85-01030015         | 手柄减磨圈                   | ANTIFRICTION RING, HANDLE   | 2         |  |  |  |  |               |
| 21          | T85-01030016         | 手柄垫圈                    | WASHER, HANDLE              | 2         |  |  |  |  |               |
| 22          | T85-01030017         | 手柄波形垫圈                  | WAVE WASHER, HANDLE         | 1         |  |  |  |  |               |
| 23          | GB/T889. 2-M10x1. 25 | 非金属嵌件六角锁紧螺母M10x1. 25    | SELF-LUCKING NUT M10x1. 25  | 1         |  |  |  |  |               |
| 24          | T85-01030007         | 变档手柄尼龙衬套                | BUSH, NYLON                 | 2         |  |  |  |  |               |
| 25          | F25-01010009         | 尼龙垫圈                    | WASHER, NYLON               | 1         |  |  |  |  |               |
| 26          | T85-01030301         | 手柄托架                    | BARCKET                     | 1         |  |  |  |  |               |
| 27          | T85-01030013         | 手柄托架尼龙衬套                | BUSH                        | 1         |  |  |  |  |               |
| 28          | GB/T97. 1-12         | 平垫圈 12                  | WASHER 12                   | 1         |  |  |  |  |               |
| 29          | T85-01030014         | 托架螺栓 M12x1. 25x70       | BOLT M12x1. 25x70           | 1         |  |  |  |  |               |
| 30          | GB/T5783-M6x16       | 六角螺栓 M6x16              | BOLT M6x16                  | 3         |  |  |  |  |               |
| 31          | T85-01030012         | 档位标牌                    | INDICATOR, SHIFT            | 1         |  |  |  |  |               |
| 32          | GB/T93-6             | 弹性垫圈 6                  | WASHER, SPRING              | 2         |  |  |  |  |               |
| 33          | GB/T97. 1-6          | 平垫圈 6                   | WASHER 6                    | 7         |  |  |  |  |               |
| 34          | T85-01030011         | 变档档位板                   | CAM PLATE, HANDLE           | 1         |  |  |  |  |               |
| 35          | JB/T7271. 1-M10x32   | 手柄球 M10x32              | BALL M10x32                 | 1         |  |  |  |  |               |
| 36          | T85-01030010         | 变档弹簧导向套                 | GUIDE SLEEVE, SPRING        | 1         |  |  |  |  |               |
| 37          | GB/T308-12           | 钢珠 12                   | BALL 12                     | 1         |  |  |  |  |               |
| 38          | T85-01030009         | 变档手柄弹簧                  | SPRING                      | 1         |  |  |  |  |               |
| 39          | T85-01030500         | 变档手柄组件                  | HANDLE ASSY, GEAR SHIFT     | 1         |  |  |  |  |               |
| 40          | GB/T91-Φ2x12         | 开口销 Φ2x12               | PIN Φ2x12                   | 1         |  |  |  |  |               |
| 41          | F60-01030019         | 变档连接杆                   | CONNECTING ROD              | 1         |  |  |  |  |               |
| 42          | 10-32-UNF-2B         | 六角螺母10-32-UNF-2B        | NUT 10-32-UNF-2B            | 1         |  |  |  |  |               |
| 43          | GB/T5783-M6x25       | 六角螺栓 M6x25              | BOLT M6x25                  | 3         |  |  |  |  |               |



零部件名称: 水上装置壳体

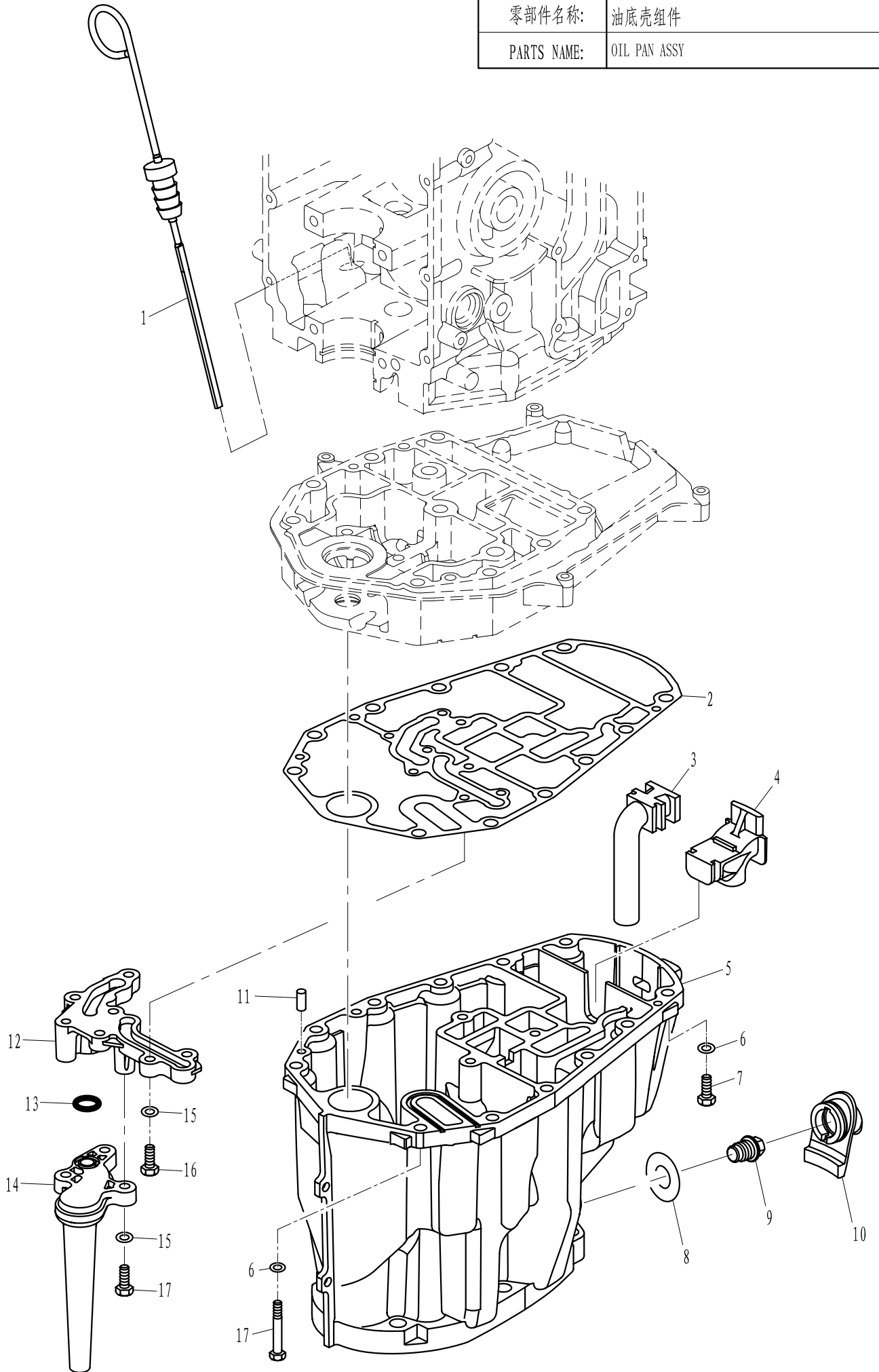
PARTS NAME: UPPER CASING





零部件名称: 油底壳组件

PARTS NAME: OIL PAN ASSY





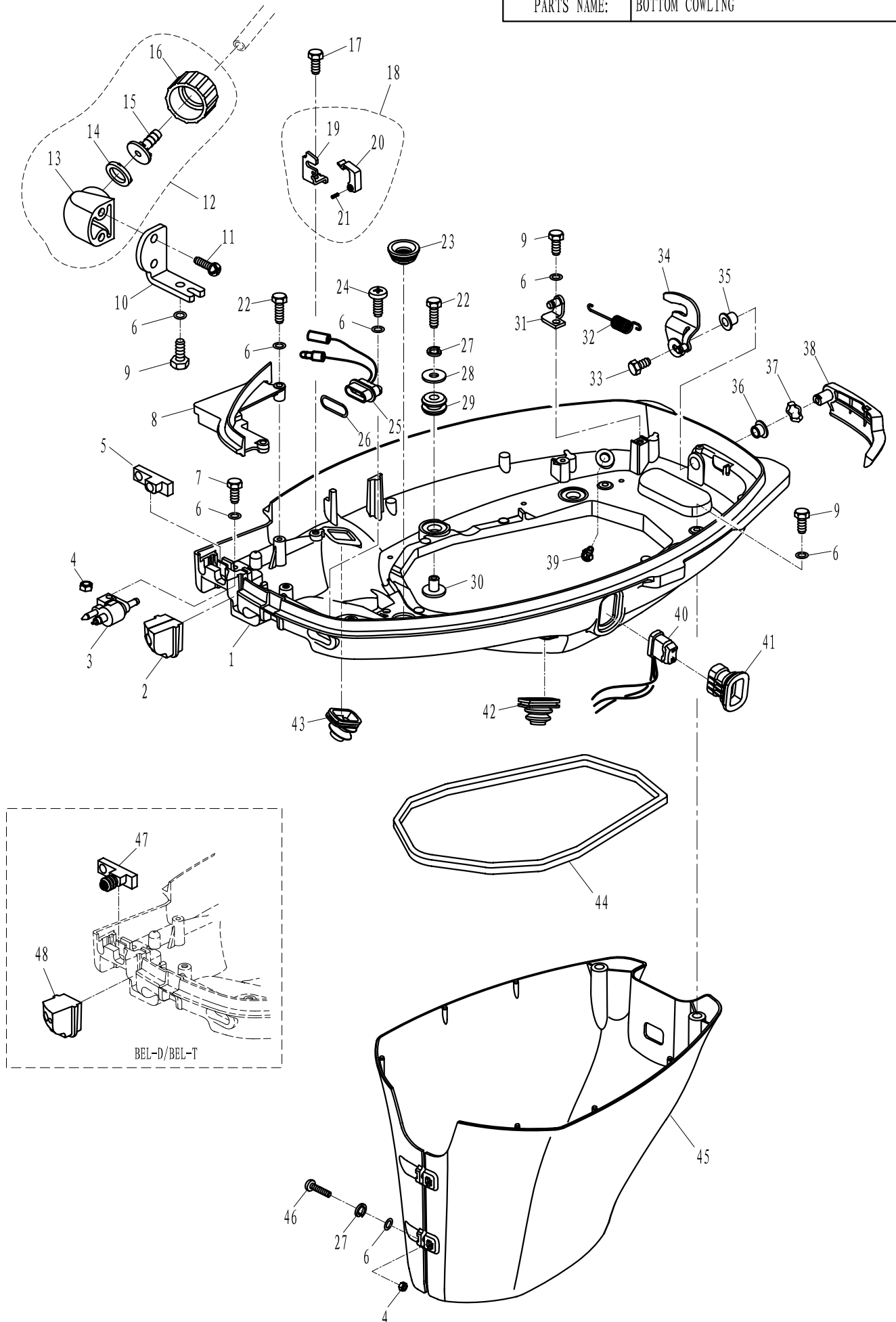


零部件名称:

底罩

PARTS NAME:

BOTTOM COWLING



零部件名称:

底罩

PARTS NAME:

BOTTOM COWLING

| SN.<br>参照号码 | PART NO.<br>零件编号 | DESCRIPTION<br>零件名称(中文) | DESCRIPTION<br>零件名称(英文)        | QTY<br>数量 |  |  |  |  | REMARKS<br>备注 |
|-------------|------------------|-------------------------|--------------------------------|-----------|--|--|--|--|---------------|
| 1           | F60-03000001     | 底罩                      | BOTTOM COWLING                 | 1         |  |  |  |  |               |
| 2           | F60-03000006FW   | 异形橡胶闷头                  | RUBBER PLUG, ABNORMAL          | 1         |  |  |  |  |               |
| 3           | F4-05000200      | 燃油管接头组件                 | FUEL CONNECTOR ASSY            | 1         |  |  |  |  |               |
| 4           | GB/T6170-M6      | 六角螺母 M6                 | NUT M6                         | 3         |  |  |  |  |               |
| 5           | F60-03000005FW   | 橡胶挡板                    | BAFFLE BOARD, RUBBER           | 1         |  |  |  |  |               |
| 6           | GB/T97.1-6       | 平垫圈6                    | WASHER 6                       | 10        |  |  |  |  |               |
| 7           | GB/T5783-M6x25   | 六角螺栓 M6x25              | BOLT M6x25                     | 1         |  |  |  |  |               |
| 8           | F60-03000003     | 底罩小盖板                   | COVER BOARD, BOTTOM COWLING    | 1         |  |  |  |  |               |
| 9           | GB/T5783-M6x20   | 六角螺栓 M6x20              | BOLT M6x20                     | 4         |  |  |  |  |               |
| 10          | F25-03000023W    | 堵塞支架                    | BRACKET, JAM                   | 1         |  |  |  |  |               |
| 11          | GB/T845-ST5.5x19 | 十字槽盘头自攻螺钉 ST5.5x19      | SCREW ST5.5x19                 | 2         |  |  |  |  |               |
| 12          | F25-03000100W    | 水管堵塞组件                  | JAM ASSY                       | 1         |  |  |  |  |               |
| 13          | F25-03000101W    | 堵塞本体                    | JAM                            | 1         |  |  |  |  |               |
| 14          | F25-03000102W    | 堵塞橡胶圈                   | RUBBER RING, JAM               | 1         |  |  |  |  |               |
| 15          | F25-03000103W    | 堵塞接头                    | JOINT, JAM                     | 1         |  |  |  |  |               |
| 16          | F25-03000104W    | 堵塞螺母                    | NUT, JAM                       | 1         |  |  |  |  |               |
| 17          | GB/T5783-M6x14   | 六角螺栓 M6x14              | BOLT M6x14                     | 1         |  |  |  |  |               |
| 18          | F60-03000300     | 钢索固定架组件                 | FIXED FRAME ASSY, TIGHTWIRE    | 1         |  |  |  |  |               |
| 19          | F60-03000301     | 钢索固定架                   | FIXED FRAME, TIGHTWIRE         | 1         |  |  |  |  |               |
| 20          | F20-03000202W    | 推拉索锁夹                   | CLAMP                          | 1         |  |  |  |  |               |
| 21          | GB/T879.2-3x12   | 轻型直槽弹性圆柱销 $\phi$ 3x12   | PIN $\phi$ 3x12                | 1         |  |  |  |  |               |
| 22          | GB/T5783-M6x30   | 六角螺栓 M6x30              | BOLT M6x30                     | 6         |  |  |  |  |               |
| 23          | F60-03000008     | 波纹橡胶套                   | SHEATH, WAVE                   | 1         |  |  |  |  |               |
| 24          | GB/T823-M6x12    | 十字槽小盘头螺钉 M6x12          | SCREW M6x12                    | 1         |  |  |  |  |               |
| 25          | F40-03000300EI   | 指示灯组件                   | PILOT LAMP ASSY                | 1         |  |  |  |  |               |
| 26          | F20-03000101     | 指示灯密封件                  | SEAL, PILOT LAMP               | 1         |  |  |  |  |               |
| 27          | GB/T93-6         | 弹簧垫圈 6                  | SPRING-WASHER 6                | 6         |  |  |  |  |               |
| 28          | F25-00000004     | 特大垫圈 6                  | BIG WASHER 6                   | 4         |  |  |  |  |               |
| 29          | F25-03000006     | 减震圈                     | DAMPER                         | 4         |  |  |  |  |               |
| 30          | F25-03000007     | 减震圈垫管                   | BUSHING, DAMPER                | 4         |  |  |  |  |               |
| 31          | F25-03000019     | 拉簧支架组件                  | BRACKET ASSY, TENSIONAL SPRING | 1         |  |  |  |  |               |
| 32          | F15-05000026     | 锁紧块拉簧                   | SPRING, TENSION                | 1         |  |  |  |  |               |
| 33          | GB/T5783-M6x12   | 六角螺栓 M6x12              | BOLT M6x12                     | 1         |  |  |  |  |               |
| 34          | F25-03020000     | 顶罩锁紧块组件                 | LOCKING ASSY, TOP COWLING      | 1         |  |  |  |  |               |
| 35          | F15-05000036     | 顶罩锁紧手柄尼龙套B              | BUSHING B                      | 1         |  |  |  |  |               |
| 36          | F15-05000022     | 顶罩锁紧手柄尼龙套A              | BUSHING A                      | 1         |  |  |  |  |               |
| 37          | F15-05000023     | 波形垫圈                    | WASHER, WAVE                   | 1         |  |  |  |  |               |
| 38          | F60-03000100     | 顶罩锁紧手柄组件                | LOCKING ASSY, TOP COWLING      | 1         |  |  |  |  |               |
| 39          | F15-05000009     | 塑料出水嘴                   | WATER NIPPLE, PLASTIC          | 1         |  |  |  |  |               |
| 40          | F40-03000600W    | 起翘开关组件                  | SWITCH ASSY, TILT              | 1         |  |  |  |  |               |
| 41          | F40-03000008     | 起翘开关护套                  | JACKET, TILT SWITCH            | 1         |  |  |  |  |               |
| 42          | T85-03000004     | 电源线护套                   | JACKET, BATTERY LINE           | 1         |  |  |  |  |               |
| 43          | F25-03000022W    | 水管波纹护套                  | JACKET, WAVE                   | 1         |  |  |  |  |               |

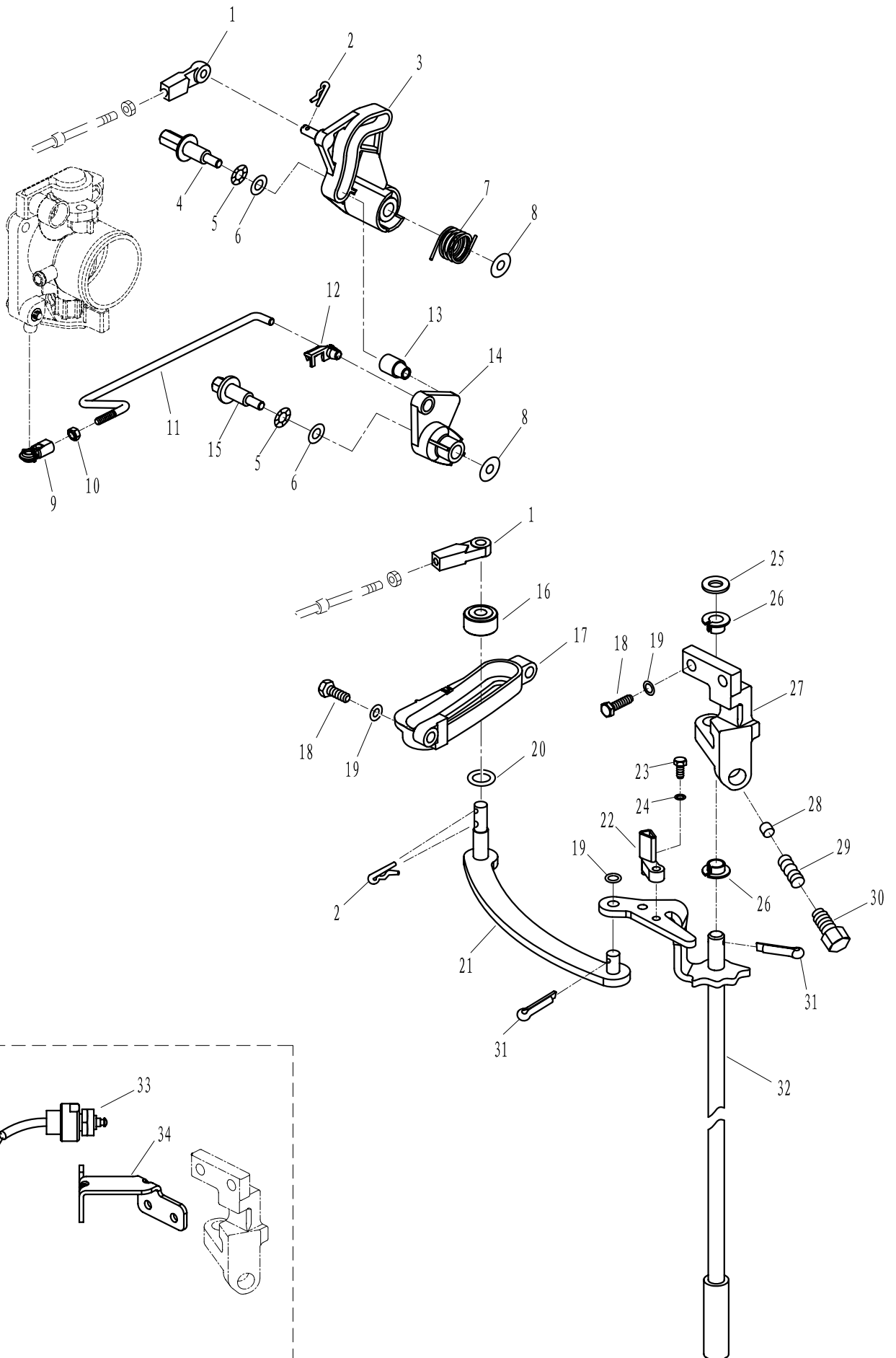


零部件名称:

控制系统

PARTS NAME:

CONTROL SYSTEM



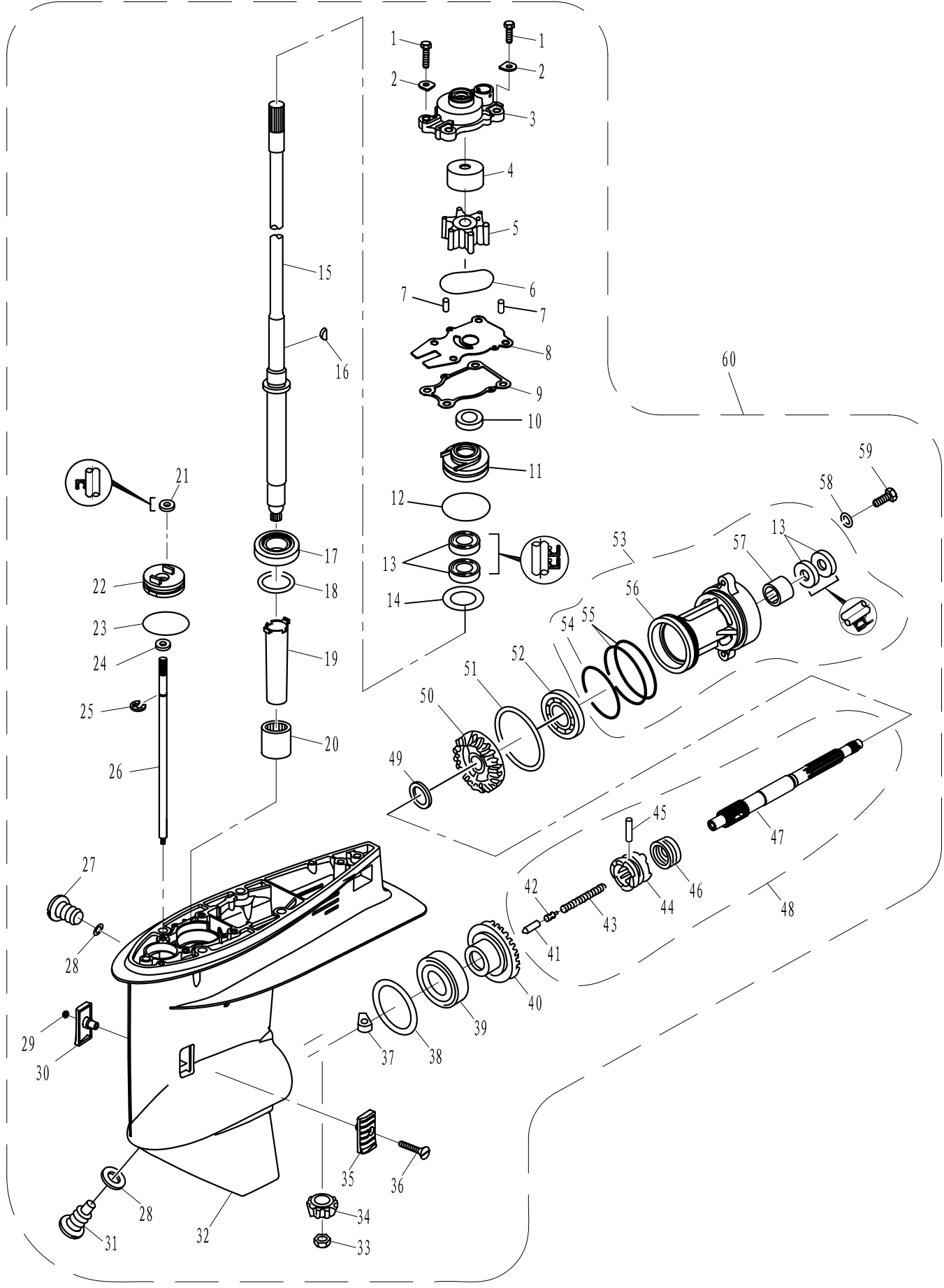


零部件名称:

水下装置壳体 & 驱动系统 I

PARTS NAME:

LOWER CASING & DRIVE I



零部件名称:

水下装置壳体 &amp; 驱动系统 I

PARTS NAME:

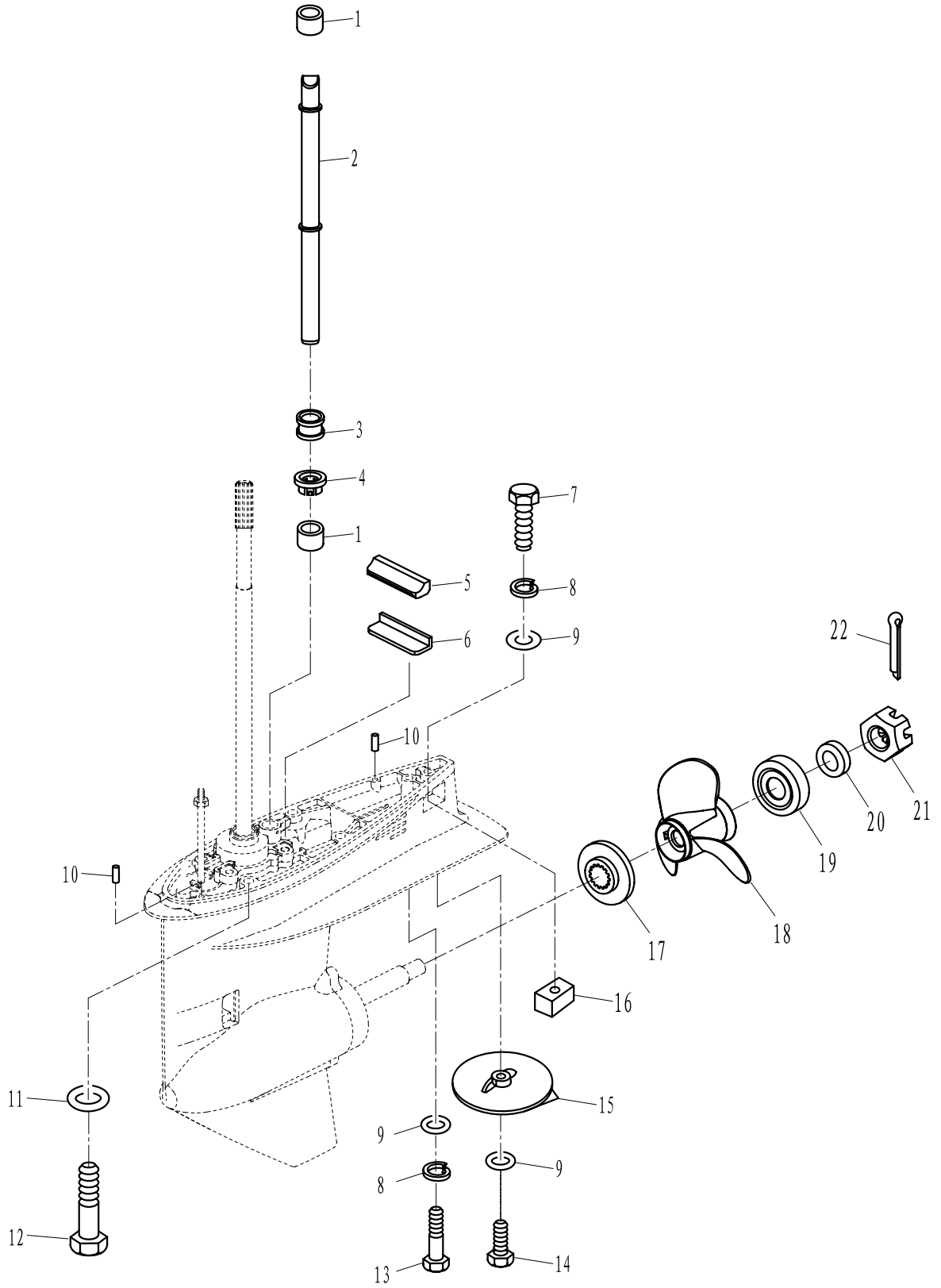
LOWER CASING &amp; DRIVE I

| SN.<br>参照号码 | PART NO.<br>零件编号 | DESCRIPTION<br>零件名称 (中文) | DESCRIPTION<br>零件名称 (英文)   | QTY<br>数量 |  |  |  |  | REMARKS<br>备注 |
|-------------|------------------|--------------------------|----------------------------|-----------|--|--|--|--|---------------|
| 1           | GB/T5783-M8x30   | 六角螺栓 M8x30               | BOLT M8x30                 | 4         |  |  |  |  |               |
| 2           | T40-04000012     | 水泵壳体压板                   | PLATE, WATER PUMP          | 4         |  |  |  |  |               |
| 3           | F60-04000401     | 水泵壳体                     | SHELL , WATER PUMP         | 1         |  |  |  |  |               |
| 4           | T40-04000202     | 水泵内壳                     | INNER SHELL, WATER PUMP    | 1         |  |  |  |  |               |
| 5           | F60-04000300     | 水泵叶轮组件                   | IMPELLER ASSY, WATER PUMP  | 1         |  |  |  |  |               |
| 6           | T40-04000205     | 壳体O形密封圈                  | O-RING                     | 1         |  |  |  |  |               |
| 7           | F25-04000007     | 定位销Φ4x10                 | DOWEL PIN Φ4x10            | 2         |  |  |  |  |               |
| 8           | F60-04000009     | 外挡板                      | OUTER PLATE                | 1         |  |  |  |  |               |
| 9           | T40-04000010     | 水泵座密封垫                   | GASKET , WATER PUMP        | 1         |  |  |  |  |               |
| 10          | F60-04000008     | 油封盖                      | COVER , OIL SEAL           | 1         |  |  |  |  |               |
| 11          | T40-04040001     | 油封壳体A                    | CASING A, OIL SEAL         | 1         |  |  |  |  |               |
| 12          | JASO F404 24-50  | 油封壳体A O型密封圈              | O-RING, CASING A           | 1         |  |  |  |  |               |
| 13          | F25-04010003     | 驱动轴油封22x36x6             | OIL SEAL 22x36x6           | 4         |  |  |  |  |               |
| 14          | T40-04000008     | 大垫圈                      | BIG WASHER                 | 1         |  |  |  |  |               |
| 15          | F60-04010000     | 驱动轴组件                    | DRIVE SHAFT ASSY           | 1         |  |  |  |  |               |
| 16          | F25-04000015     | 半圆键                      | WOODRUFF KEY               | 1         |  |  |  |  |               |
| 17          | T40-04000027     | 驱动轴圆锥滚子轴承 32005          | BEARING 32005              | 1         |  |  |  |  |               |
| 18          | T40-04000003     | 驱动轴填隙片                   | SHIM                       |           |  |  |  |  |               |
|             | T40-04000003-1   | 填隙片 (T = 0.10毫米)         | SHIM (T = 0.10mm)          |           |  |  |  |  |               |
|             | T40-04000003-2   | 填隙片 (T = 0.12毫米)         | SHIM (T = 0.12mm)          |           |  |  |  |  |               |
|             | T40-04000003-3   | 填隙片 (T = 0.15毫米)         | SHIM (T = 0.15mm)          |           |  |  |  |  |               |
|             | T40-04000003-4   | 填隙片 (T = 0.18毫米)         | SHIM (T = 0.18mm)          |           |  |  |  |  |               |
|             | T40-04000003-5   | 填隙片 (T = 0.30毫米)         | SHIM (T = 0.30mm)          |           |  |  |  |  |               |
|             | T40-04000003-6   | 填隙片 (T = 0.40毫米)         | SHIM (T = 0.40mm)          |           |  |  |  |  |               |
|             | T40-04000003-7   | 填隙片 (T = 0.50毫米)         | SHIM (T = 0.50mm)          |           |  |  |  |  |               |
| 19          | T40-04000002     | 长尼龙套管                    | BUSHING, NYLON             | 1         |  |  |  |  |               |
| 20          | T40-04000026     | 滚针轴承 B 1416              | BEARING B 1416             | 1         |  |  |  |  |               |
| 21          | T85-04000011     | 变档凸轮油封9x19x5             | OIL SEAL 9x19x5, CAM SHAFT | 1         |  |  |  |  |               |
| 22          | F60-04000101     | 变档凸轮盖板                   | PLATE, CAM SHAFT           | 1         |  |  |  |  |               |
| 23          | JASO F404 31-035 | O型密封圈34.4x3.1            | O-RING 34.4x3.1            | 1         |  |  |  |  |               |
| 24          | JASO F404 19-007 | O型密封圈6.8x1.9             | O-RING 6.8x1.9             | 1         |  |  |  |  |               |
| 25          | GB/T896-8        | 开口挡圈 8                   | CIRCLIP 8                  | 1         |  |  |  |  |               |
| 26          | F60-04000004     | 变档凸轮轴                    | CAMSHAFT                   | 1         |  |  |  |  |               |
| 27          | F4-03000023      | 注油孔螺塞                    | PLUG, HOLE OIL             | 1         |  |  |  |  |               |
| 28          | F4-03000024      | 注油孔螺塞垫                   | GASKET                     | 2         |  |  |  |  |               |
| 29          | GB/T889.1-M5     | 非金属嵌件六角锁紧螺母M5            | LOCKING NUT M5             | 1         |  |  |  |  |               |
| 30          | T40-04000023     | 进水口B                     | WATER INLET B              | 1         |  |  |  |  |               |
| 31          | F25-04000031     | 放油螺塞                     | PLUG, OIL RELEASE          | 1         |  |  |  |  |               |
| 32          | F60-04000001     | 水下装置壳体                   | LOWER CASING               | 1         |  |  |  |  |               |
| 33          | T40-04000006     | 小齿轮螺母M12X1.25            | NUT, PINION                | 1         |  |  |  |  |               |
| 34          | F60-04000002     | 小齿轮                      | PINION                     | 1         |  |  |  |  |               |
| 35          | T40-04000022     | 进水口A                     | WATER INLET A              | 1         |  |  |  |  |               |
| 36          | GB/T820-M5x30    | 十字槽半沉头螺钉 M5x30           | SCREW, PAN HEAD M5x30      | 1         |  |  |  |  |               |





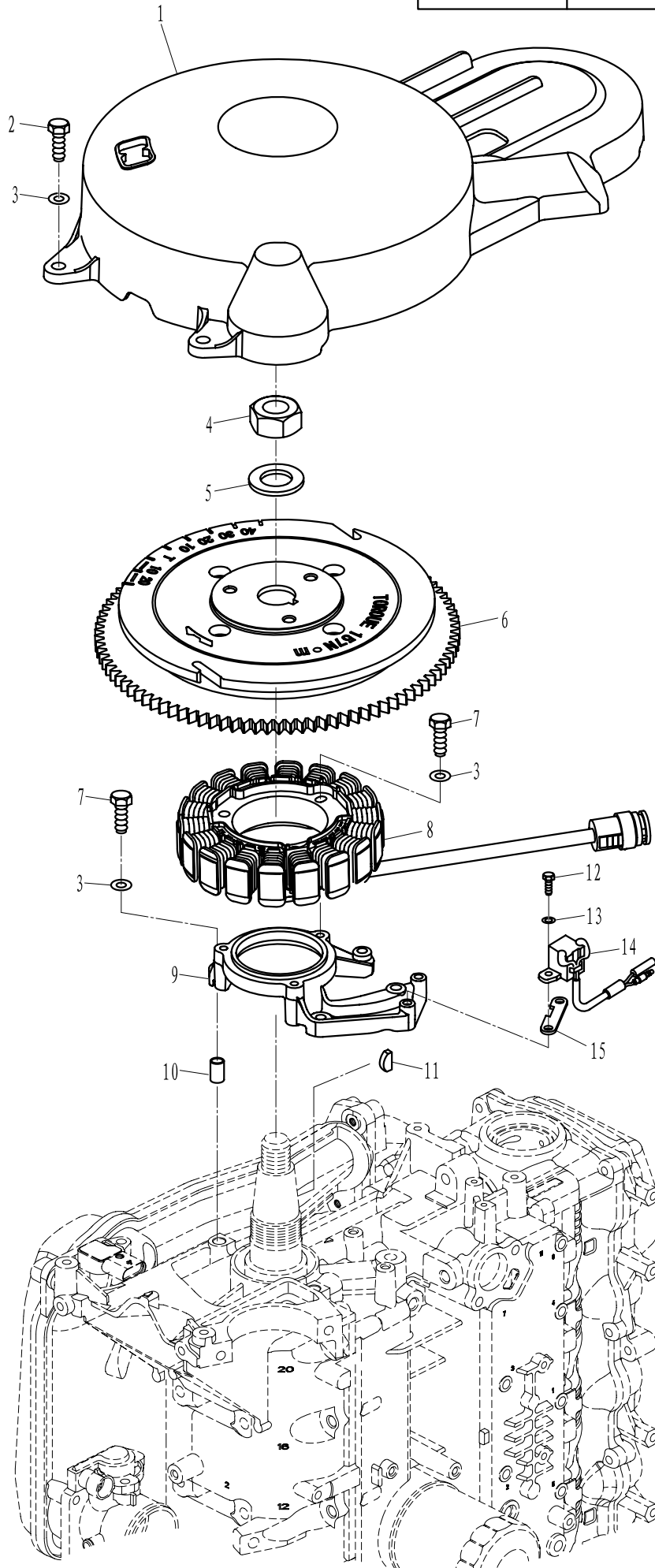
|             |                        |
|-------------|------------------------|
| 零部件名称:      | 水下装置壳体 and 驱动系统 2      |
| PARTS NAME: | LOWER CASING & DRIVE 2 |





零部件名称: 电气 1

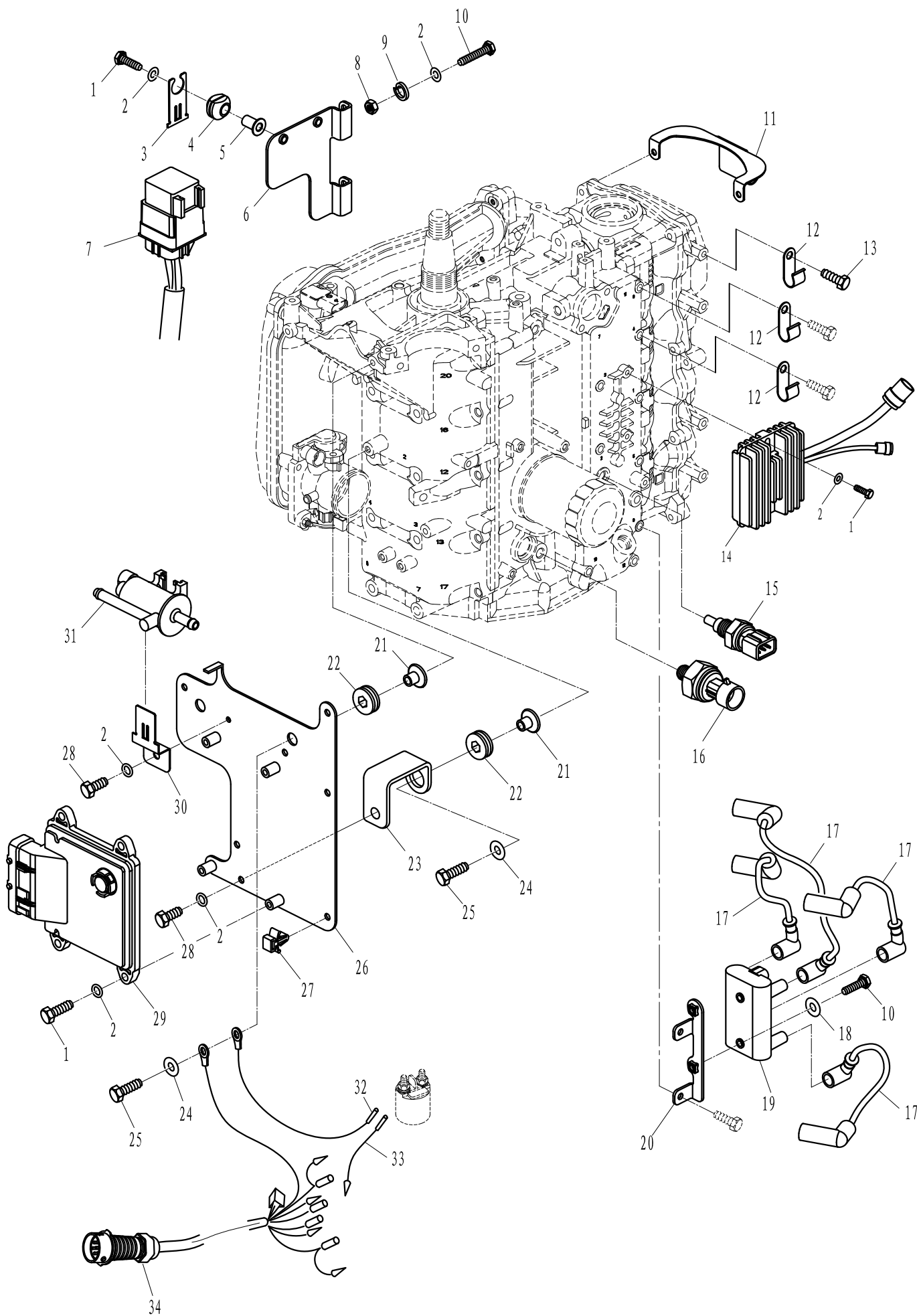
PARTS NAME: ELECTRICAL 1





零部件名称: 电气 2

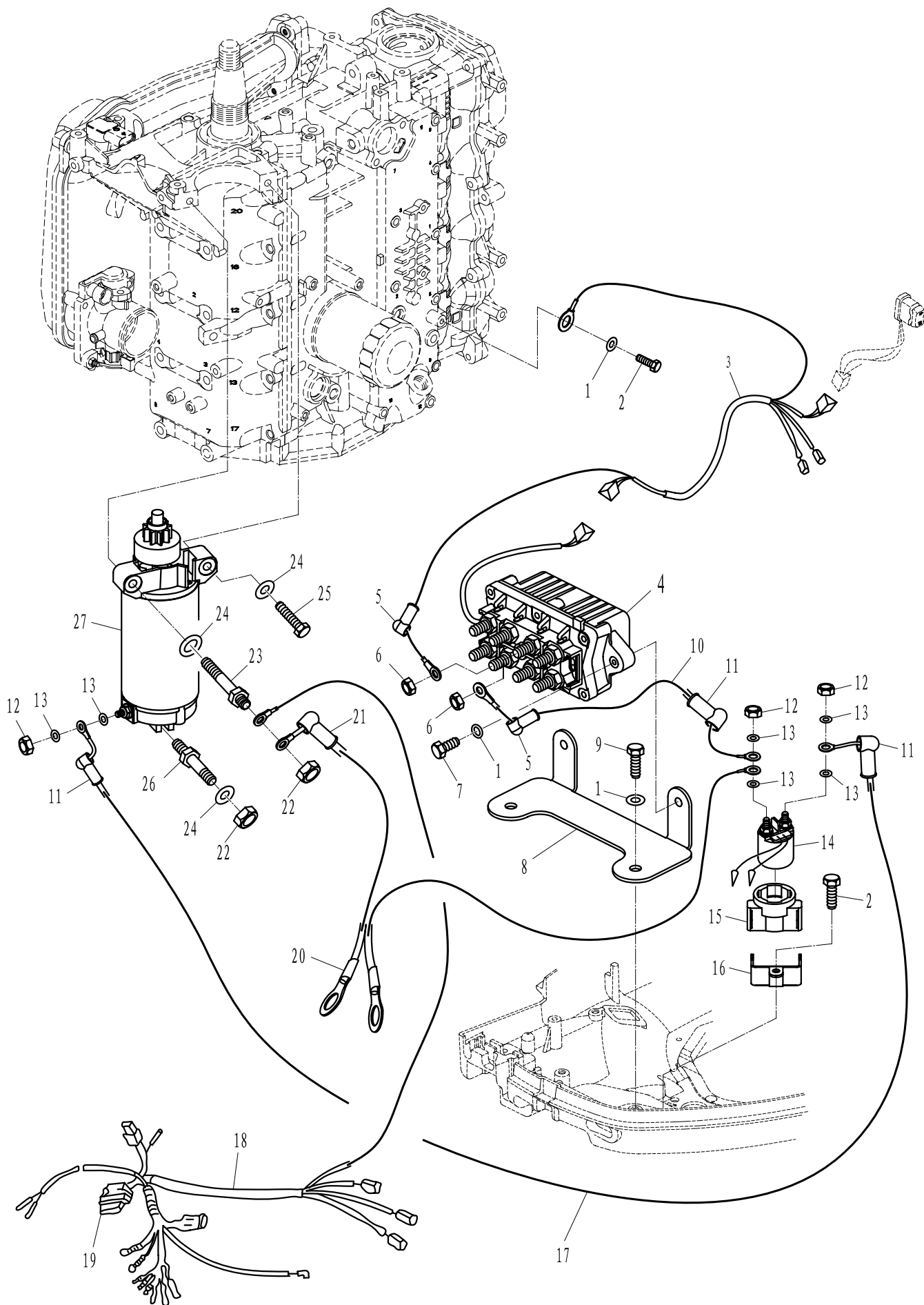
PARTS NAME: ELECTRICAL 2





零部件名称: 电气 3

PARTS NAME: ELECTRICAL 3

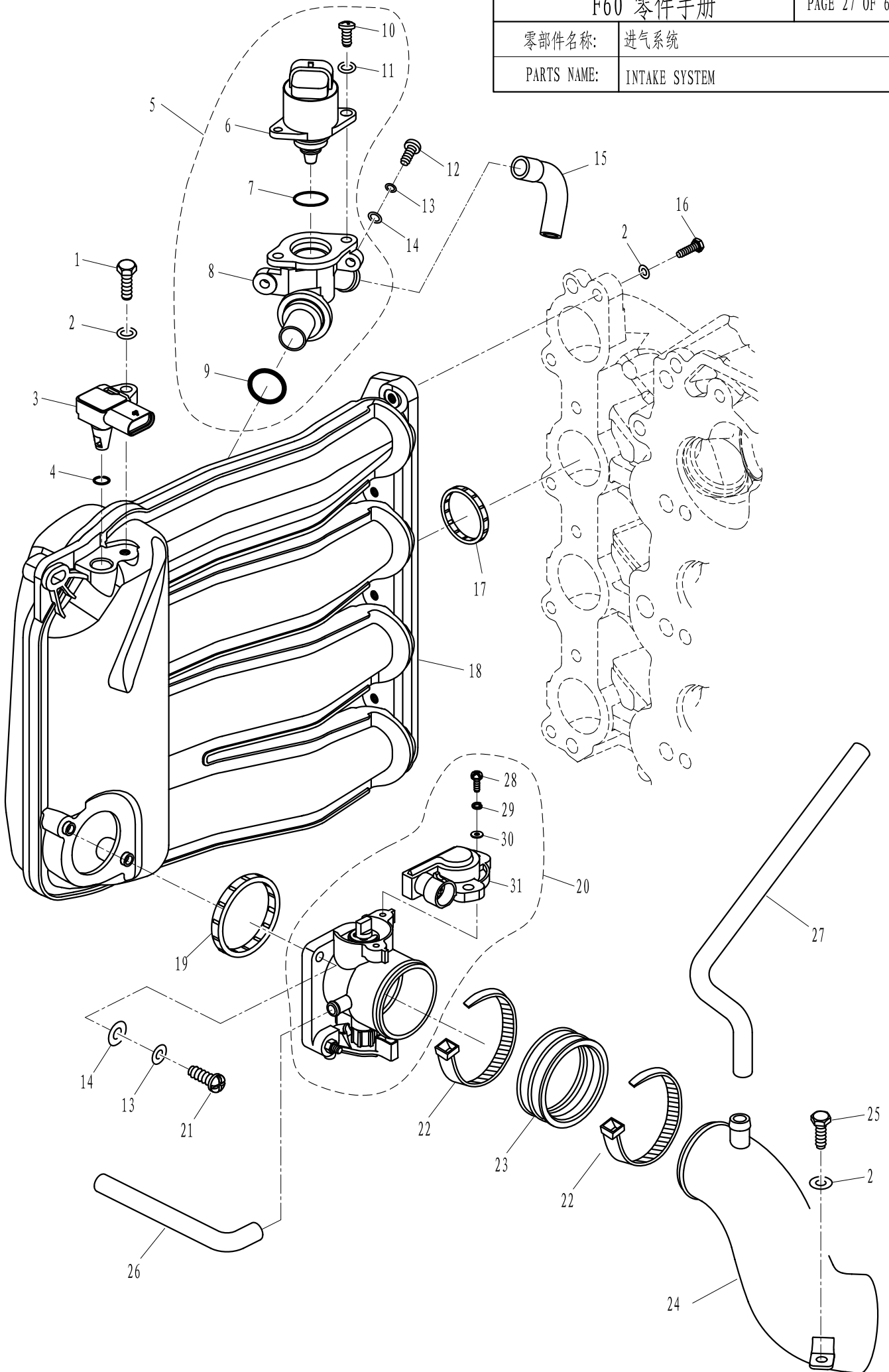






零部件名称: 进气系统

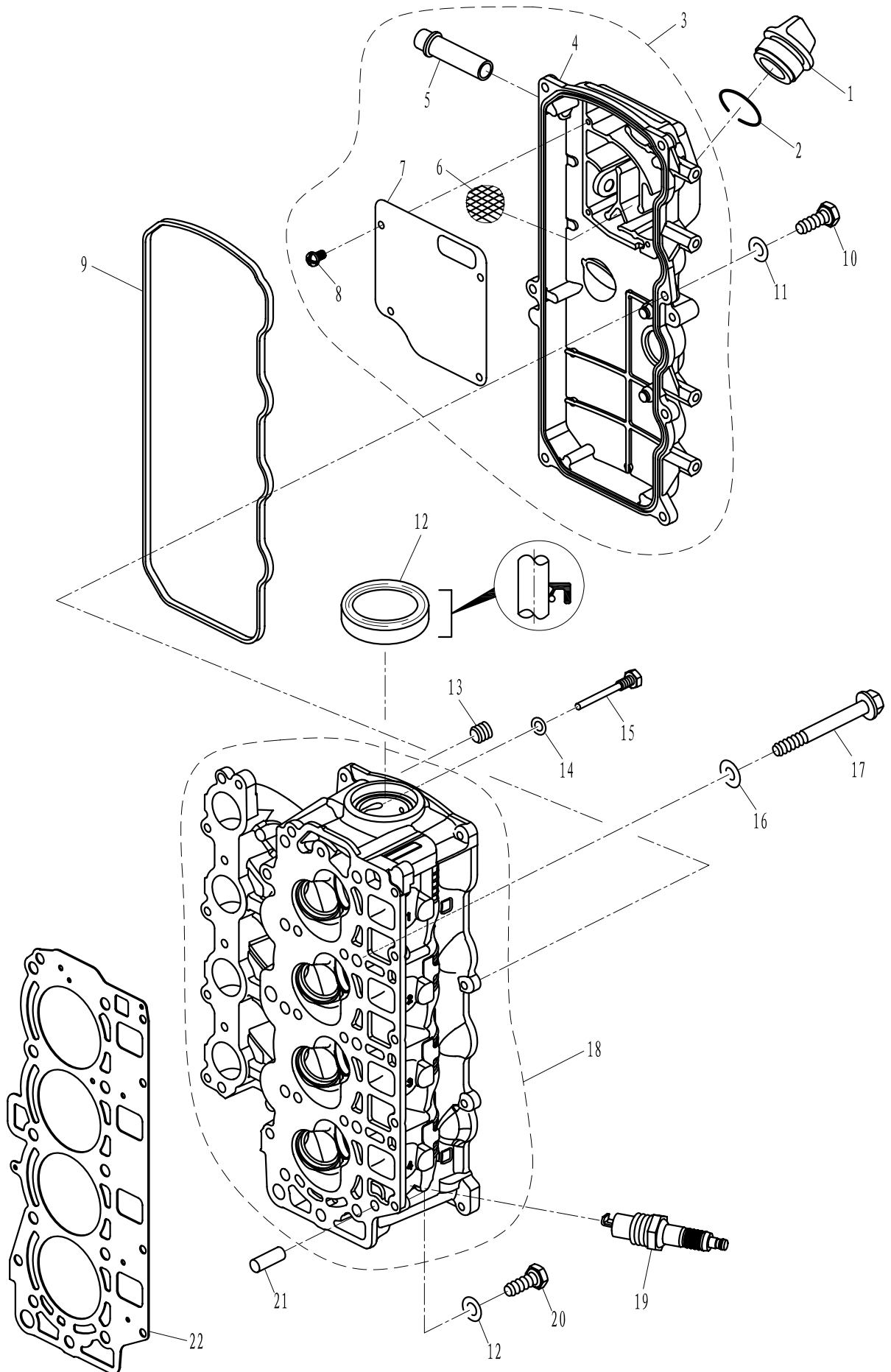
PARTS NAME: INTAKE SYSTEM





零部件名称: 气缸头

PARTS NAME: CYLINDER



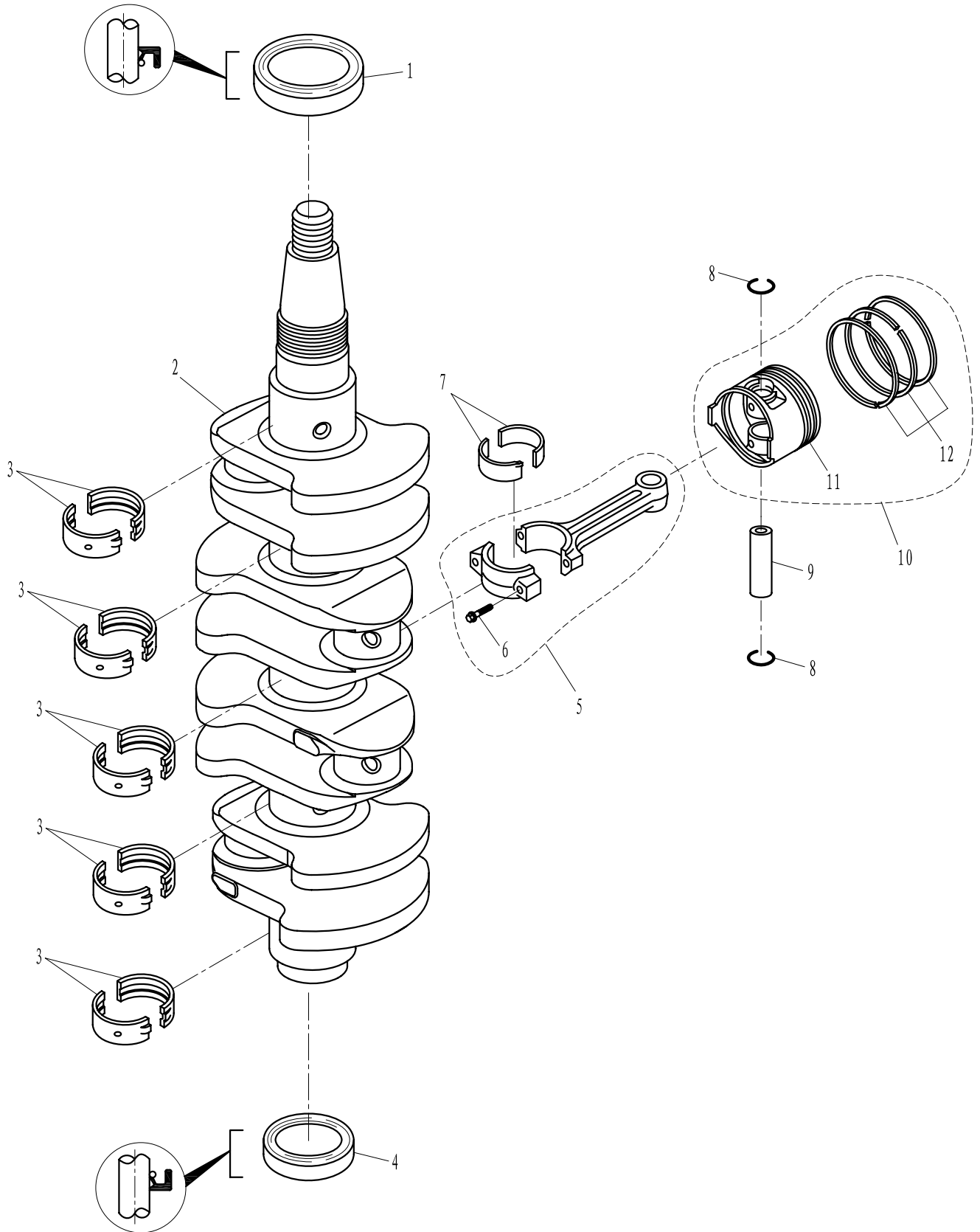


零部件名称:

曲轴&活塞

PARTS NAME:

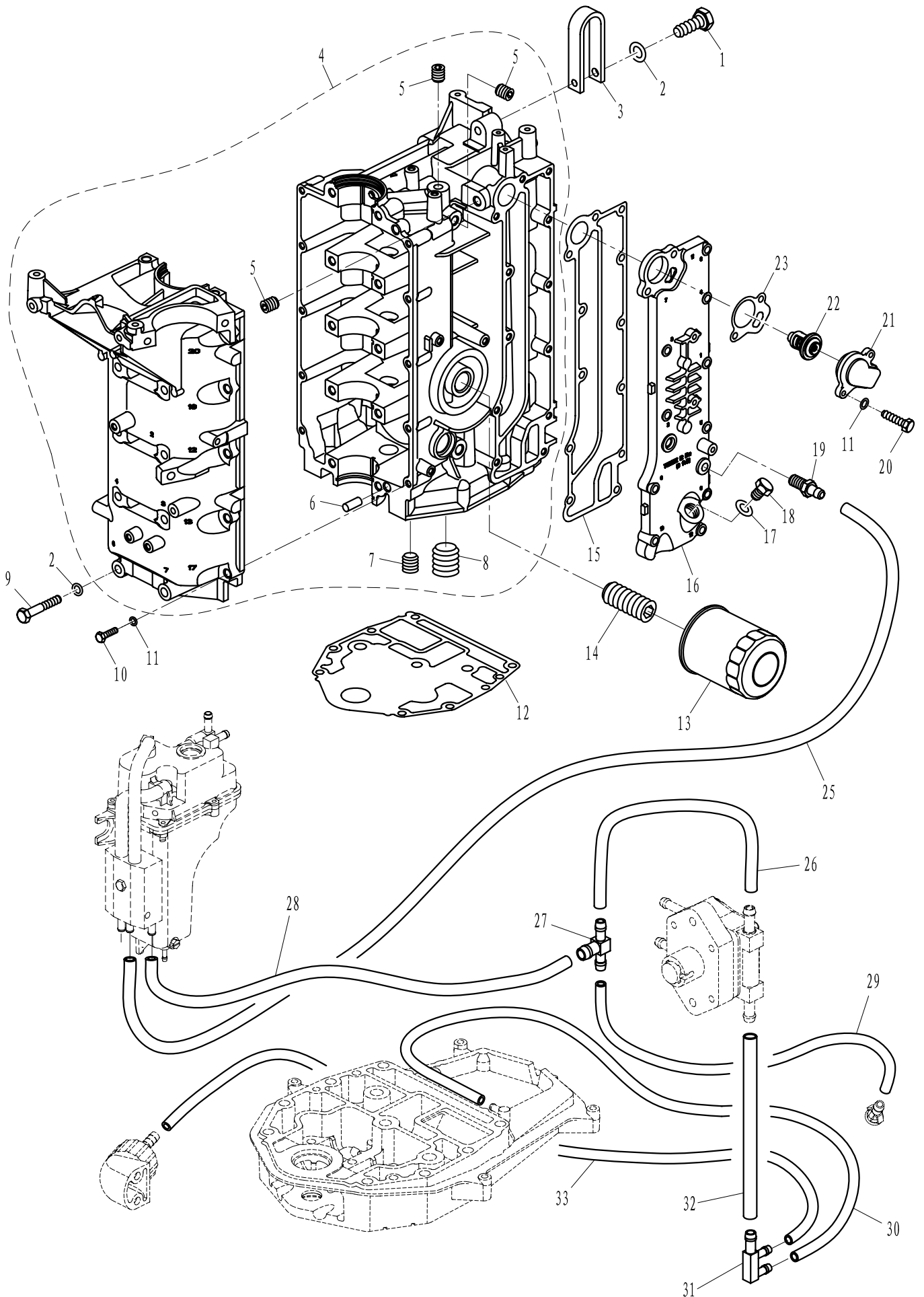
CRANKSHAFT & PISTON





零部件名称: 曲轴箱

PARTS NAME: CRANKCASE

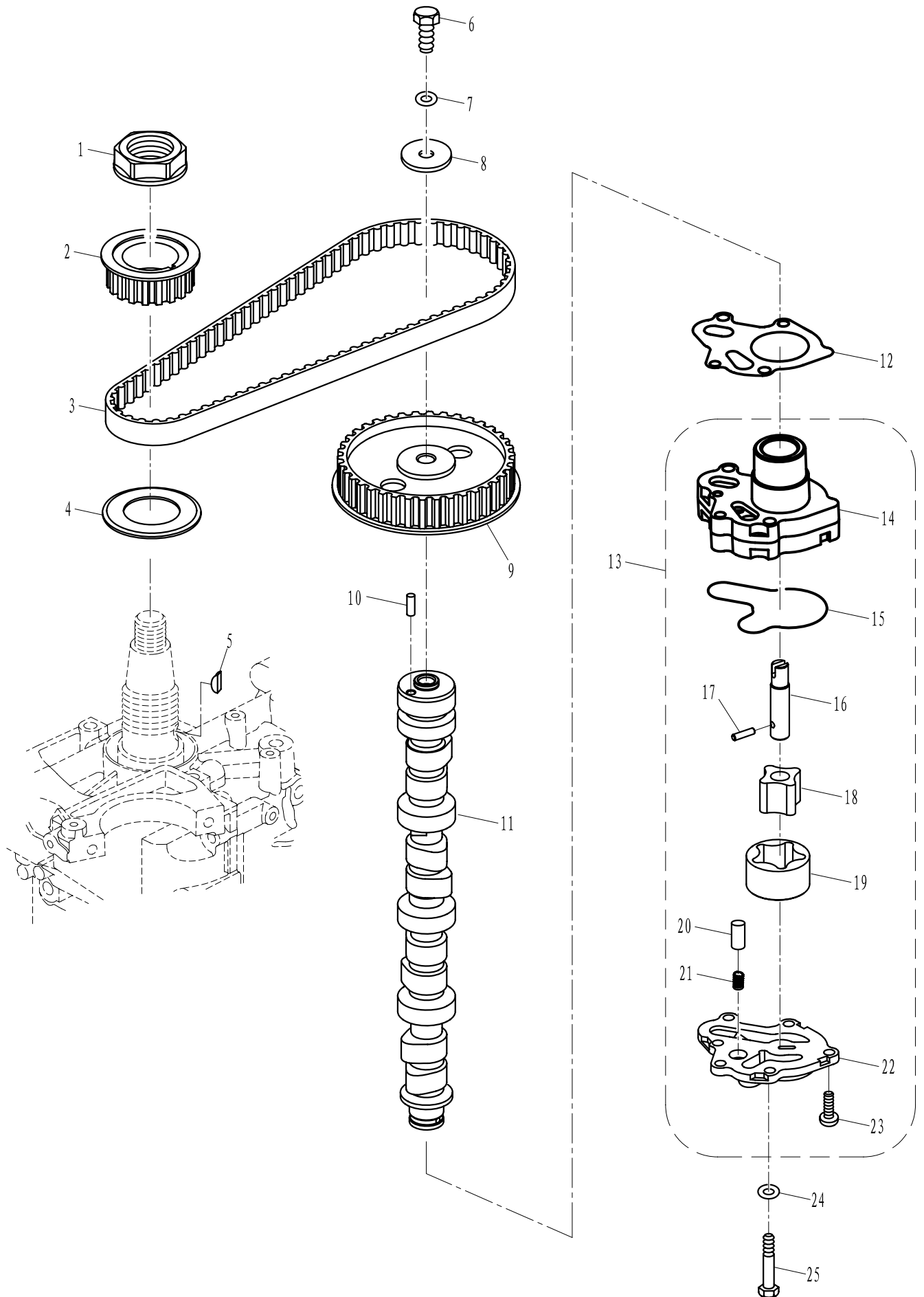






零部件名称: 油泵

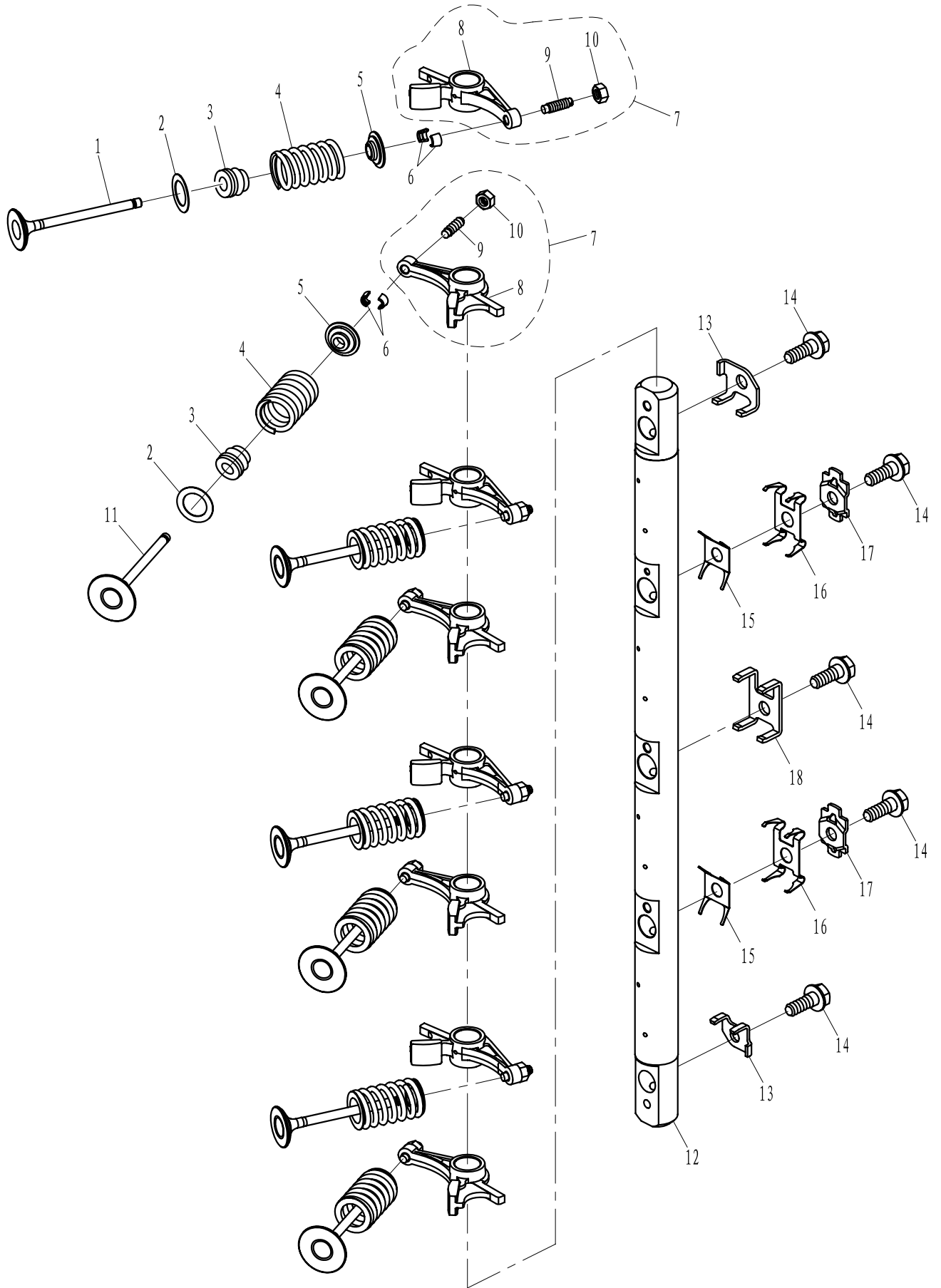
PARTS NAME: OIL PUMP





零部件名称: 阀门

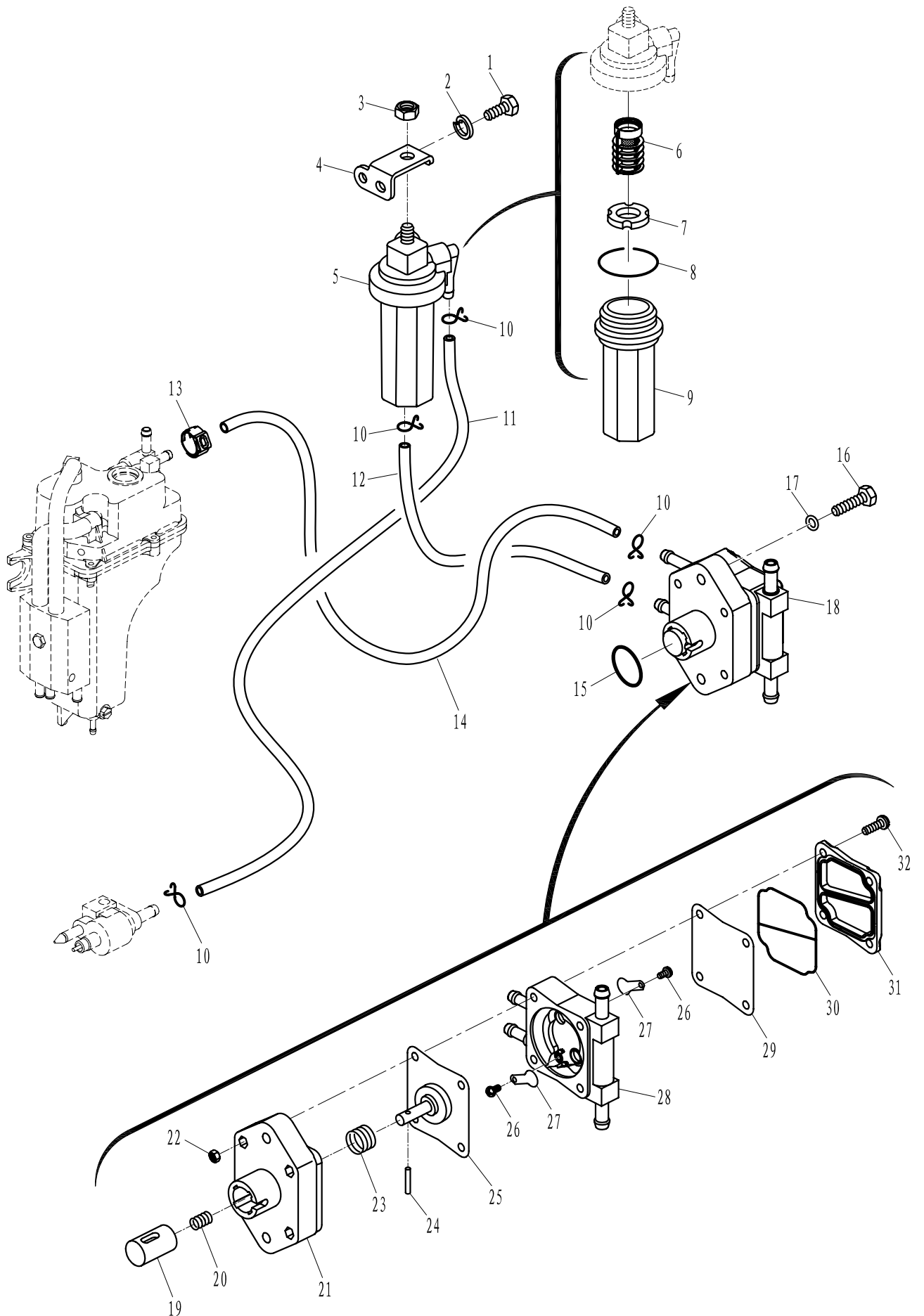
PARTS NAME: VALVE





零部件名称: 燃油系统

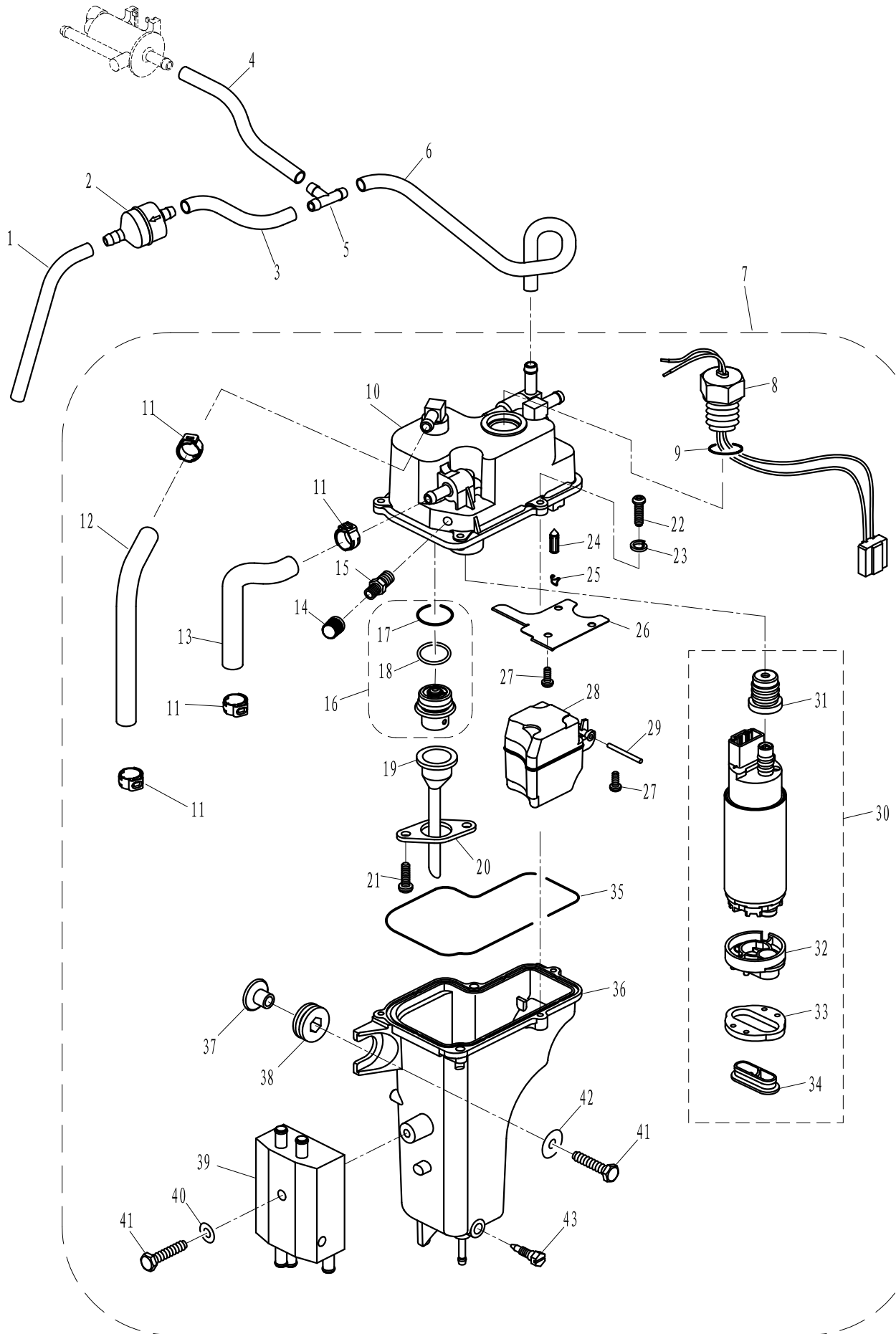
PARTS NAME: FUEL SYSTEM





零部件名称: 电动燃油泵组件

PARTS NAME: ELECTRIC OIL PUMP ASSY





零部件名称: 电动燃油泵组件

PARTS NAME: ELECTRIC OIL PUMP ASSY

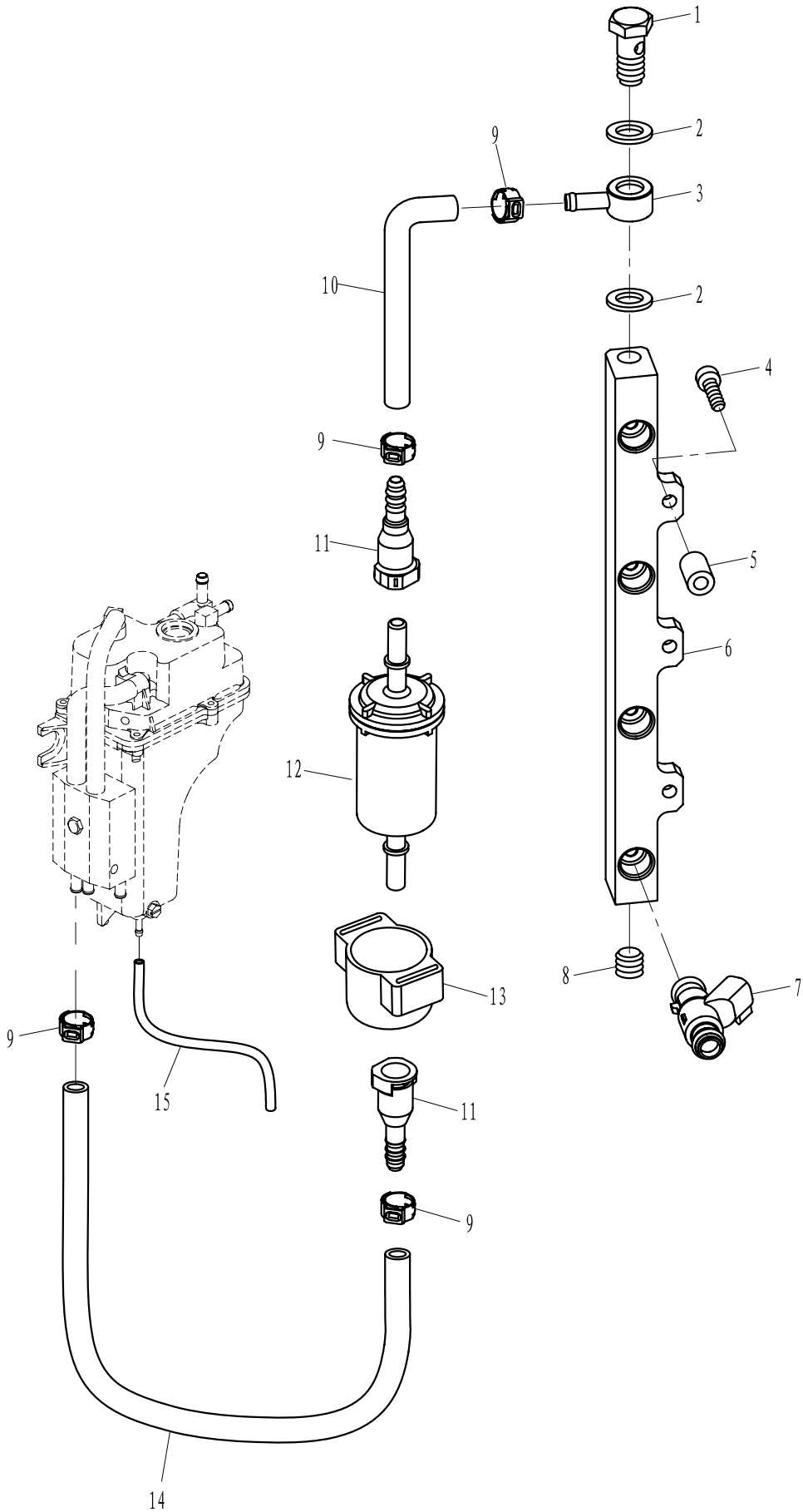
| SN.<br>参照号码 | PART NO.<br>零件编号    | DESCRIPTION<br>零件名称(中文)                       | DESCRIPTION<br>零件名称(英文)          | QTY<br>数量 |  |  |  | REMARKS<br>备注 |
|-------------|---------------------|---|----------------------------------|-----------|--|--|--|---------------|
| 1           | F60-05000025        | 回气管 C $\phi 5 \times \phi 10 \times 260$      | AIR PIPE C                       | 1         |  |  |  |               |
| 2           | T5-04000200         | 单向阀   | CHECK VALVE                      | 1         |  |  |  |               |
| 3           | F60-05000019        | 回气管 C $\phi 5 \times \phi 10 \times 60$ (EPA) | AIR PIPE C                       | 1         |  |  |  |               |
| 4           | F60-05000016        | 回气管 B $\phi 5 \times \phi 10 \times 270$      | AIR PIPE B                       | 1         |  |  |  |               |
| 5           | F60-05000054        | 塑料三通 $\phi 6.5$                               | THREE WAY                        | 1         |  |  |  |               |
| 6           | F60-05000053        | 燃油定型管   | FUEL PIPE                        | 1         |  |  |  |               |
| 7           | F40-05100000EI      | 电动燃油泵组件                                       | OIL PUMP ASSY                    | 1         |  |  |  |               |
| 8           | F40-05010400EI      | 油泵接头组件  | JOINT ASSY, OIL PUMP             | 1         |  |  |  |               |
| 9           | GB/T3452.1-15.8x3.1 | O型圈15.8x3.1                                   | O-RING 15.8x3.1                  | 1         |  |  |  |               |
| 10          | F40-05100100EI      | 电动燃油泵本体组件                                     | BODY ASSY, OIL PUMP              | 1         |  |  |  |               |
| 11          | S7133-13.3          | 单耳无板卡箍  | SINGLE LUG CLAMP                 | 4         |  |  |  |               |
| 12          | F40-05100010EI      | 油泵定型管A  | SHAPED TUBE A, OIL PUMP          | 1         |  |  |  |               |
| 13          | F40-05100004EI      | 油泵定型管B  | SHAPED TUBE B, OIL PUMP          | 1         |  |  |  |               |
| 14          | F40-05100202EI      | 检测阀盖帽   | CAP, DETECTION VALVE             | 1         |  |  |  |               |
| 15          | F40-05100201EI      | 油泵检测阀   | DETECTION VALVE, OIL PUMP        | 1         |  |  |  |               |
| 16          | F40-05100600EI      | 压力调节阀   | PRESSURE REGULATOR VALVE         | 1         |  |  |  |               |
| 17          | F40-05100601EI      | 压力调节阀O形圈                                      | O-RING, PRESSURE REGULATOR VALVE | 1         |  |  |  |               |
| 18          | F40-05100600-1EI    | 压力调节阀尼龙垫圈                                     | WASHER, PRESSURE REGULATOR VALVE | 2         |  |  |  |               |
| 19          | F40-05100602EI      | 泄油导管  | CONDUIT TUBE                     | 1         |  |  |  |               |
| 20          | F40-05100603EI      | 压力阀压板   | PALTE, PRESSURE REGULATOR VALVE  | 1         |  |  |  |               |
| 21          | GB/T818-M5x12       | 十字槽盘头螺钉 M5x12                                 | SCREW M5x12                      | 2         |  |  |  |               |
| 22          | GB/T818-M4x16       | 十字槽盘头螺钉 M4x16                                 | SCREW M4x16                      | 5         |  |  |  |               |
| 23          | GB/T93-4            | 弹性垫圈 4  | SPRING WASHER 4                  | 5         |  |  |  |               |
| 24          | F40-05100301EI      | 针阀  | NEEDLE VALVE                     | 1         |  |  |  |               |
| 25          | F40-05100302EI      | 针阀卡簧  | CLAMP SPRING, NEEDLE VALVE       | 1         |  |  |  |               |
| 26          | F40-05100003EI      | 挡板  | BAFFLE PLATE                     | 1         |  |  |  |               |
| 27          | GB/T818-M4x8        | 十字槽盘头螺钉 M4x8                                  | SCREW M4x8                       | 4         |  |  |  |               |
| 28          | F40-05100001EI      | 浮子  | FLOATER                          | 1         |  |  |  |               |
| 29          | F40-05100002EI      | 浮子销   | PIN, FLOATER                     | 1         |  |  |  |               |
| 30          | F40-05100500EI      | 油泵组件  | OIL PUMP ASSY                    | 1         |  |  |  |               |
| 31          | F40-05100501EI      | 油泵口胶套   | RUBBER SLEEVE, OIL PUMP          | 1         |  |  |  |               |
| 32          | F40-05100504EI      | 油泵垫块  | PADDING BLOCK, OIL PUMP          | 1         |  |  |  |               |
| 33          | F40-05100503EI      | 油泵橡胶垫   | RUBBER PAD, OIL PUMP             | 1         |  |  |  |               |
| 34          | F40-05100502EI      | 油泵滤网  | FILTER NET, OIL PUMP             | 1         |  |  |  |               |
| 35          | F40-05100704EI      | 油杯密封圈   | SEAL, OIL CAP                    | 1         |  |  |  |               |
| 36          | F40-05100701EI      | 电动燃油泵油杯组件                                     | OIL CAP, ELECTRIC PUMP           | 1         |  |  |  |               |
| 37          | F25-05090005        | 点火模块减震圈衬管                                     | BUSHING, DAMPER                  | 3         |  |  |  |               |
| 38          | F25-05090004        | 点火模块减震圈                                       | DAMPER                           | 3         |  |  |  |               |
| 39          | F40-05100800EI      | 燃油冷却器   | COOLER, FUEL                     | 1         |  |  |  |               |
| 40          | GB/T97.1-6          | 平垫圈 6   | WASHER 6                         | 1         |  |  |  |               |
| 41          | GB/T5783-M6x25      | 六角螺栓 M6x25                                    | BOLT M6x25                       | 4         |  |  |  |               |
| 42          | GB/T96-6            | 大垫圈 6   | BIG WASHER 6                     | 3         |  |  |  |               |
| 43          | F40-05100703EI      | 油杯放油螺钉  | DRAIN BOLT, OIL CUP              | 1         |  |  |  |               |

零部件名称:

燃油共轨

PARTS NAME:

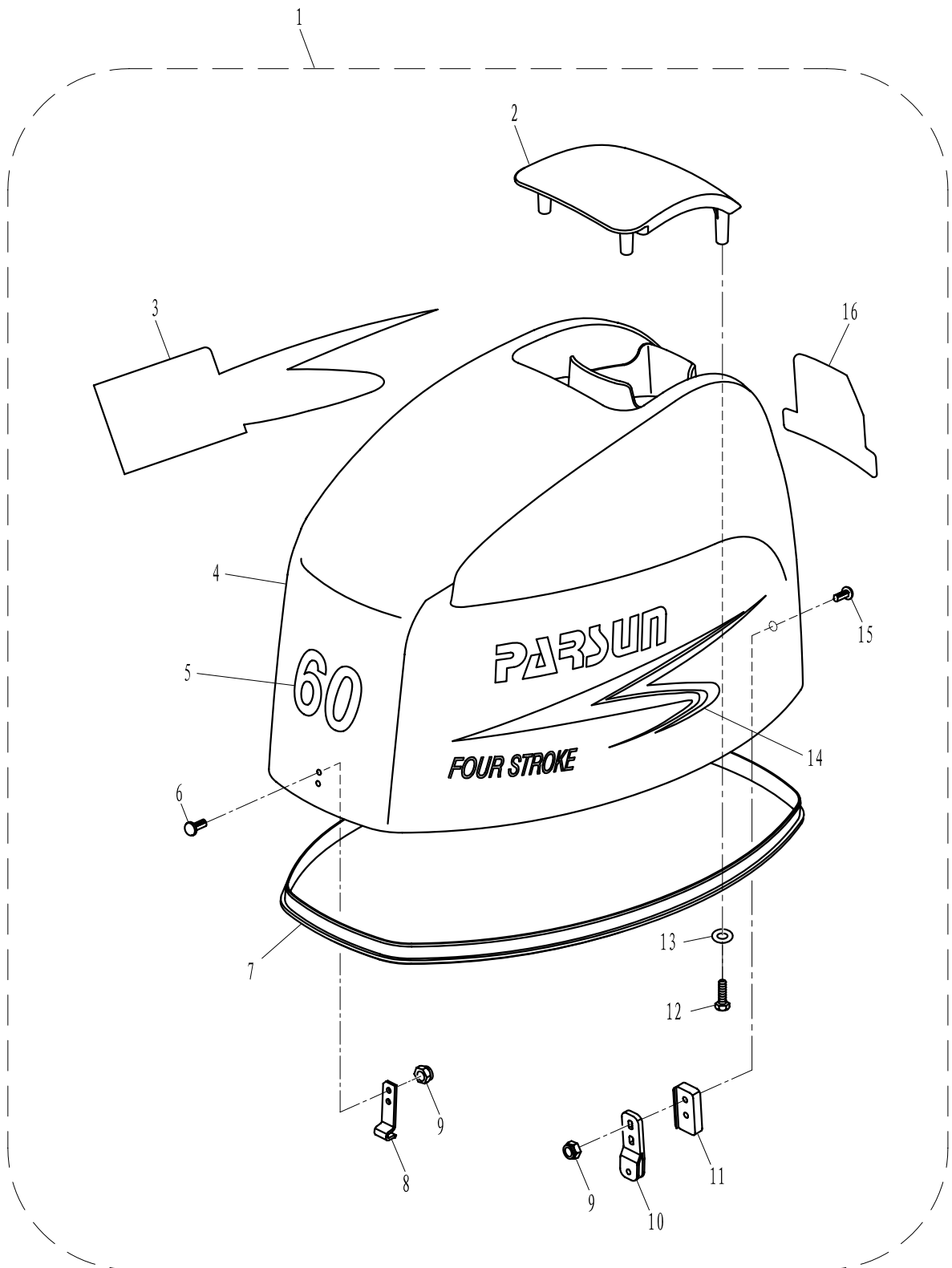
FUEL COMMON RAIL





零部件名称: 顶罩组件

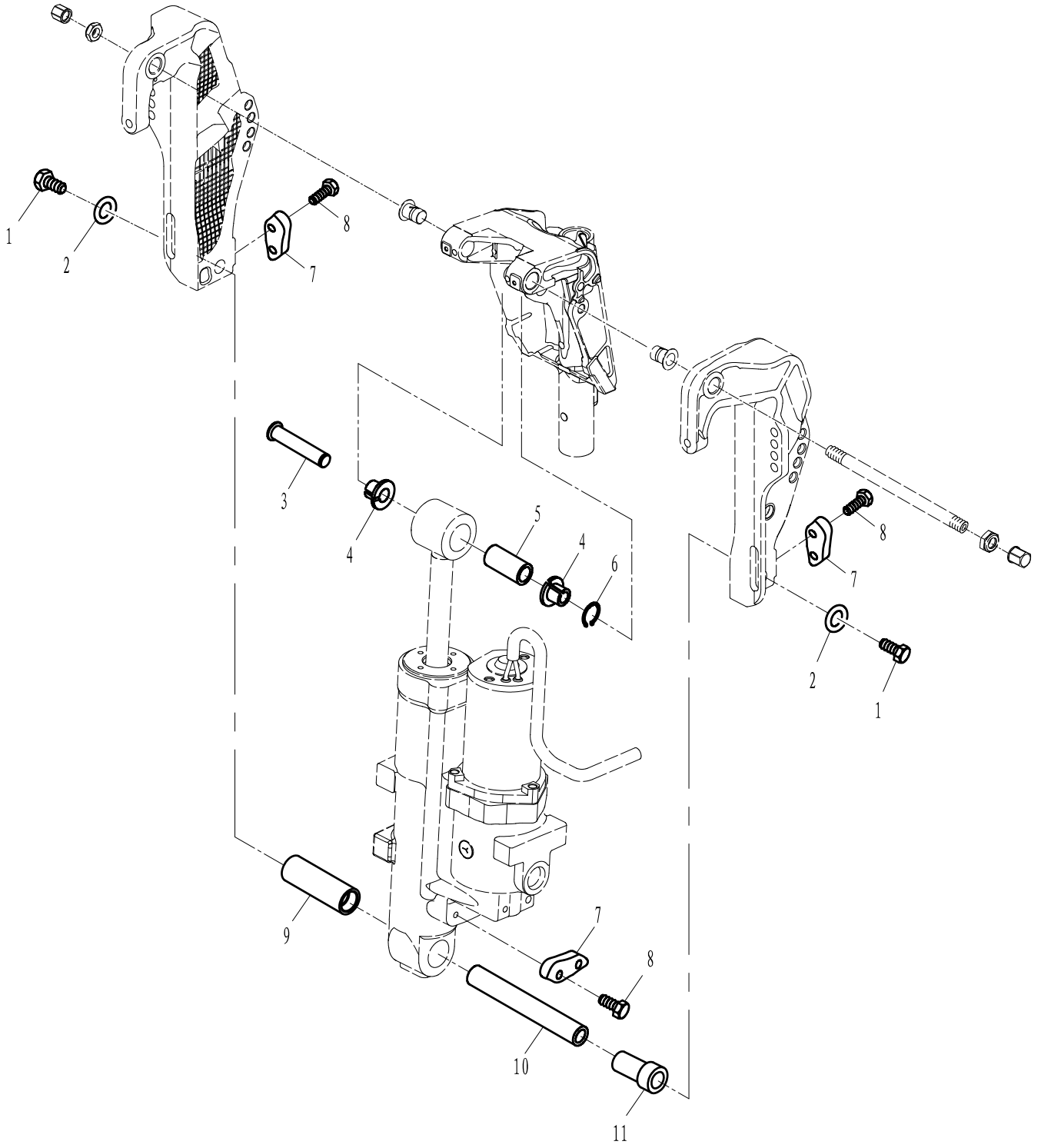
PARTS NAME: TOP COWLING ASSY





零部件名称: 液压起翘系统 1

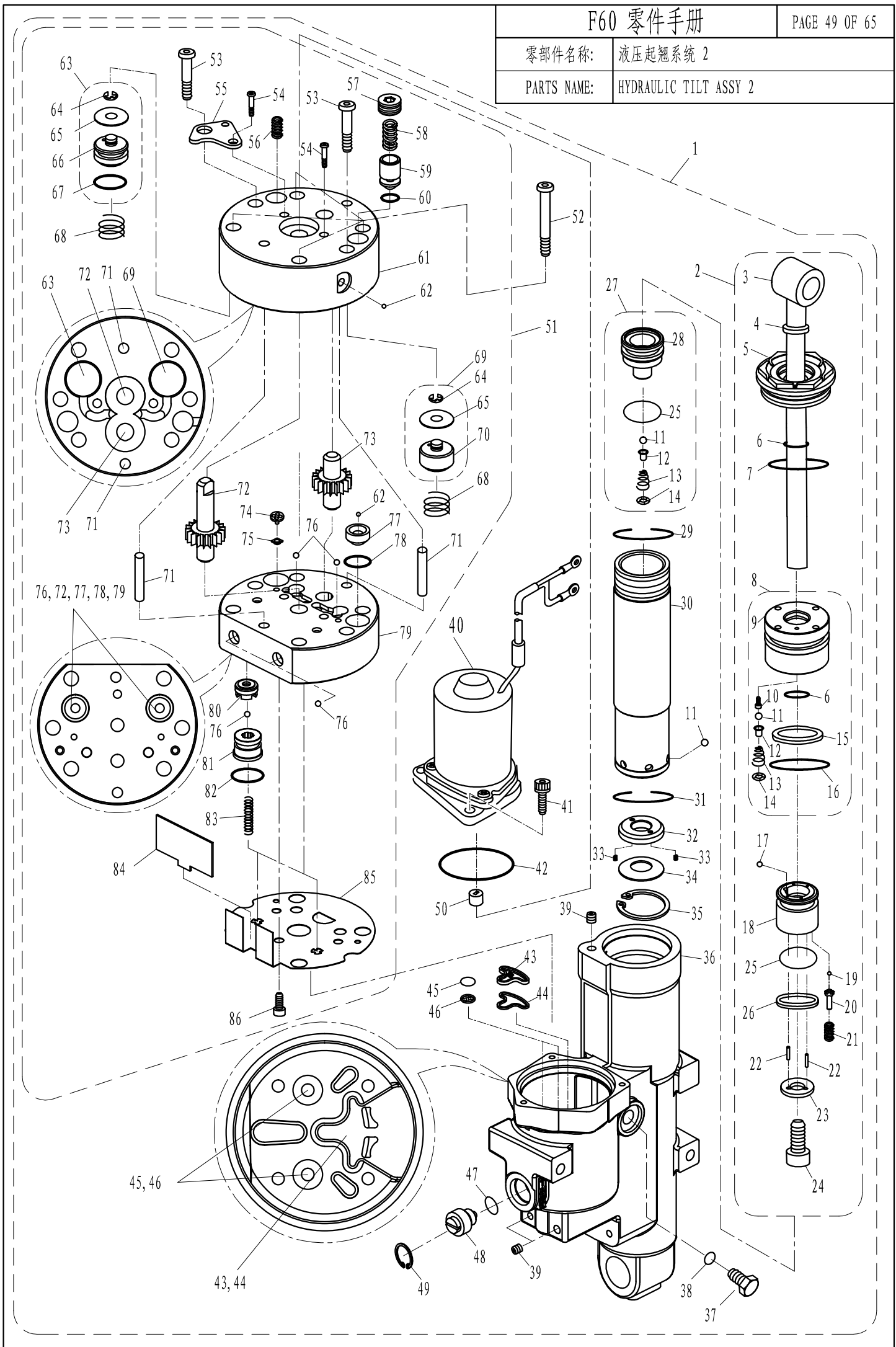
PARTS NAME: HYDRAULIC TILT ASSY 1





零部件名称: 液压起翘系统 2

PARTS NAME: HYDRAULIC TILT ASSY 2





零部件名称: 液压起翘系统 2

PARTS NAME: HYDRAULIC TILT ASSY 2

| SN.<br>参照号码 | PART NO.<br>零件编号                  | DESCRIPTION<br>零件名称(中文)            | DESCRIPTION<br>零件名称(英文)       | QTY<br>数量 |  |  |  |  | REMARKS<br>备注 |
|-------------|-----------------------------------|------------------------------------|-------------------------------|-----------|--|--|--|--|---------------|
| 1           | F60-06000000                      | 液压起翘组件                             | HYDRAULIC TILT ASSY           | 1         |  |  |  |  |               |
| 2           | F60-06010000                      | 活塞组件                               | PISTON ASSY                   | 1         |  |  |  |  |               |
| 3           | F60-06010100                      | 活塞推杆组件                             | SHAFT OF PISTON ASSY          | 1         |  |  |  |  |               |
| 4           | F60-06010003                      | 推杆油封 $\phi 17x\phi 25x5$           | OIL SEAL $\phi 17x\phi 25x5$  | 1         |  |  |  |  |               |
| 5           | F60-06010002                      | 油缸螺母                               | SCREW                         | 1         |  |  |  |  |               |
| 6           | GB/T3452.1- $\phi 16.8x\phi 2.65$ | 推杆O形圈 $\phi 16.8 \times \phi 2.65$ | O-RING $\phi 16.8x\phi 2.65$  | 2         |  |  |  |  |               |
| 7           | JIS FG46                          | 螺母O形圈 $\phi 45.5 \times \phi 2$    | O-RING $\phi 45.5x\phi 2$     | 1         |  |  |  |  |               |
| 8           | F60-06010200                      | 油缸盖组件                              | COVER ASSY                    | 1         |  |  |  |  |               |
| 9           | F60-06010201                      | 油缸盖                                | COVER                         | 1         |  |  |  |  |               |
| 10          | GB/T70.1-M1.6x8                   | 内六角螺钉M1.6x8 (发黑)                   | BOLT M1.6x8 (BLACK)           | 1         |  |  |  |  |               |
| 11          | F60-06010204                      | 轴承钢珠3/16                           | BALL 3/16                     | 8         |  |  |  |  |               |
| 12          | GB/T876-3x3                       | 空心铆钉3x3                            | HOLLOW RIVET 3x3              | 2         |  |  |  |  |               |
| 13          | F60-06010203                      | 单向阀弹簧                              | SPRING                        | 2         |  |  |  |  |               |
| 14          | T85-06010403                      | 防松止圈                               | THRUST WASHER                 | 2         |  |  |  |  |               |
| 15          | JIS B 2407-P40T2                  | 油缸盖挡圈P40T2                         | COVER, BACK UP                | 1         |  |  |  |  |               |
| 16          | JIS B 2401-P40                    | O形圈 $\phi 39.7x\phi 3.5$           | O-RING $\phi 39.7x\phi 3.5$   | 1         |  |  |  |  |               |
| 17          | T40-10000001                      | 轴承钢珠1/8                            | BALL 1/8                      | 1         |  |  |  |  |               |
| 18          | F60-06010004                      | 推杆活塞                               | PISTON                        | 1         |  |  |  |  |               |
| 19          | F60-06010006                      | 轴承钢珠3/32                           | BALL 3/32                     | 4         |  |  |  |  |               |
| 20          | F60-06010007                      | 钢珠托架                               | TRAY, STEEL BALL              | 4         |  |  |  |  |               |
| 21          | F60-06010008                      | 活塞弹簧                               | SPRING                        | 4         |  |  |  |  |               |
| 22          | F60-06010009                      | 滚针 $\phi 2x6.8$                    | ROLLER $\phi 2x6.8$           | 2         |  |  |  |  |               |
| 23          | F60-06010010                      | 压板垫圈                               | WASHER                        | 1         |  |  |  |  |               |
| 24          | GB/T70.1-M10x1.25x40              | 内六角螺栓M10x1.25x40 (发黑)              | SCREW M10x1.25x40 (BLACK)     | 1         |  |  |  |  |               |
| 25          | JIS B 2401-P24                    | 自由活塞O形圈 $\phi 23.7x\phi 3.5$       | O-RING $\phi 23.7x\phi 3.5$   | 2         |  |  |  |  |               |
| 26          | JIS B 2407-P24T2                  | 活塞挡圈P24T2                          | PISTON, BACK UP               | 1         |  |  |  |  |               |
| 27          | F60-06000200                      | 自由活塞组件                             | FREE PISTON ASSY              | 1         |  |  |  |  |               |
| 28          | F60-06000201                      | 自由活塞                               | FREE PISTON                   | 1         |  |  |  |  |               |
| 29          | F60-06000102                      | 钢丝挡圈30                             | RING, SNAP-ROLL               | 1         |  |  |  |  |               |
| 30          | F60-06000101                      | 活塞油缸                               | PISTON OIL BOX                | 1         |  |  |  |  |               |
| 31          | F60-06000011                      | 钢丝挡圈32                             | RING, SNAP-ROLL               | 1         |  |  |  |  |               |
| 32          | F60-06000002                      | 油缸底座                               | BOTTOM, OIL BOX               | 1         |  |  |  |  |               |
| 33          | F60-06000003                      | 底座弹簧                               | SPRING                        | 2         |  |  |  |  |               |
| 34          | F60-06000004                      | 底座挡板                               | WASHER                        | 2         |  |  |  |  |               |
| 35          | GB/T893.1-32                      | 孔用弹性挡圈32 (发黑)                      | RING, SNAP CIRCLIP 32 (BLACK) | 1         |  |  |  |  |               |
| 36          | F60-06000001                      | 液压缸体                               | HOUSING                       | 1         |  |  |  |  |               |
| 37          | T85-06010009                      | 放油螺钉                               | SCREW                         | 1         |  |  |  |  |               |
| 38          | GB/T3452.1- $\phi 9x\phi 2.2$     | O形圈 $\phi 9x\phi 2.2$              | O-RING $\phi 9x\phi 2.2$      | 1         |  |  |  |  |               |
| 39          | T85-06010002                      | 气缸堵塞1/16                           | BLOCK, CYLINDER               | 3         |  |  |  |  |               |
| 40          | F60-06030000                      | 起翘电机                               | MOTOR ASSY                    | 1         |  |  |  |  |               |
| 41          | GB/T70.1-M5x20                    | 内六角螺钉M5x20 (发黑)                    | SCREW M5x20 (BLACK)           | 3         |  |  |  |  |               |
| 42          | JASO F404 31-065                  | O形圈 $\phi 64.4x\phi 3.1$           | O-RING $\phi 64.4x\phi 3.1$   | 1         |  |  |  |  |               |
| 43          | F60-06000008                      | 过滤器B                               | FILTER B                      | 1         |  |  |  |  |               |

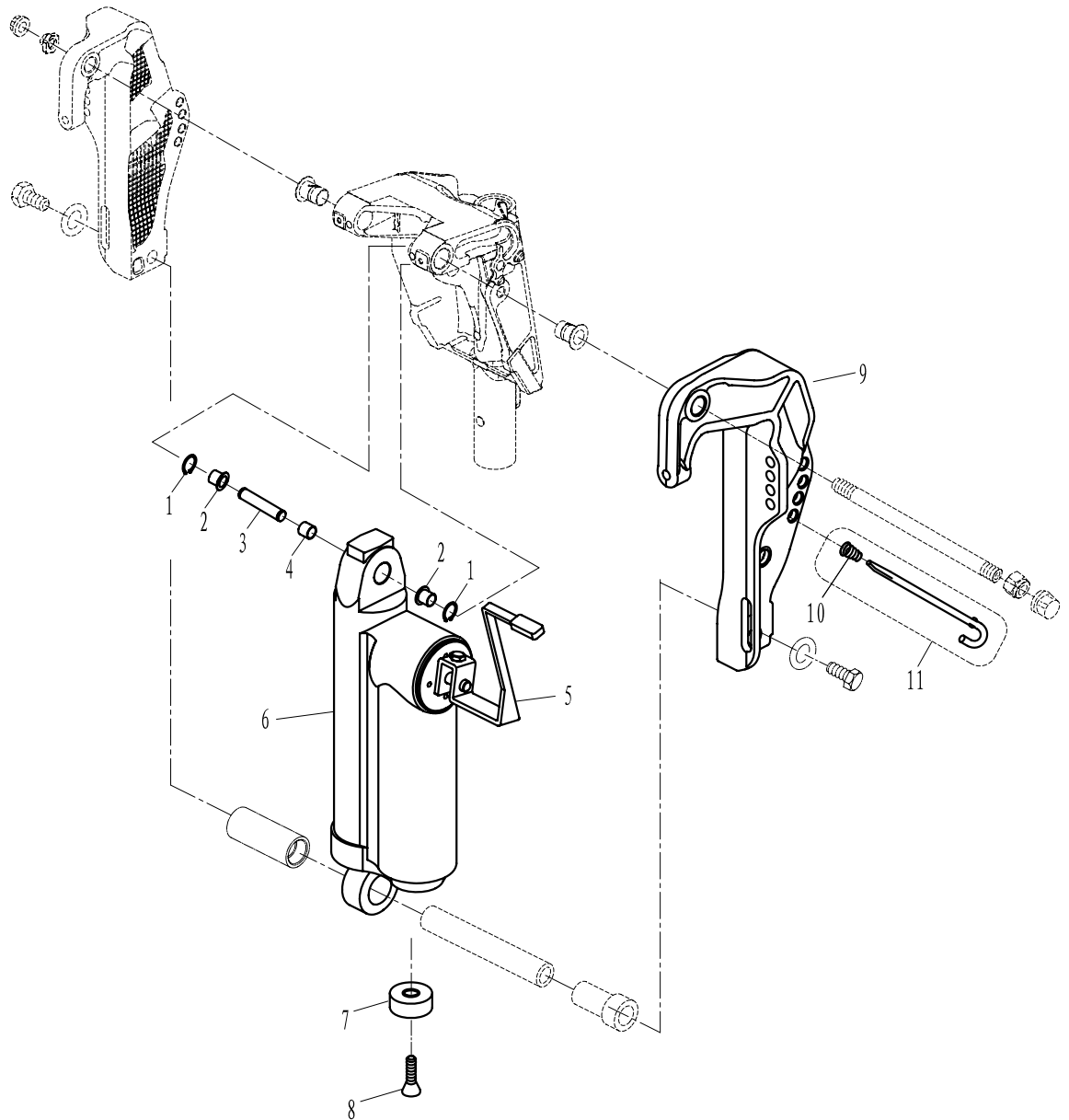
零部件名称: 液压起翘系统 2

PARTS NAME: HYDRAULIC TILT ASSY 2

| SN.<br>参照号码 | PART NO.<br>零件编号 | DESCRIPTION<br>零件名称(中文)             | DESCRIPTION<br>零件名称(英文)             | QTY<br>数量 |  |  |  |  | REMARKS<br>备注 |
|-------------|------------------|-------------------------------------|-------------------------------------|-----------|--|--|--|--|---------------|
| 44          | F60-06000009     | 过滤器B垫板                              | WASHER, FIFTER B                    | 1         |  |  |  |  |               |
| 45          | F60-06000007     | 过滤器O形圈 $\phi 7.6 \times \phi 1.5$   | O-RING $\phi 7.6 \times \phi 1.5$   | 2         |  |  |  |  |               |
| 46          | F60-06000006     | 过滤器A                                | FIFTER A                            | 2         |  |  |  |  |               |
| 47          | T85-06020015     | 手控阀O形圈 $\phi 17.5 \times \phi 2.65$ | O-RING $\phi 17.5 \times \phi 2.65$ | 1         |  |  |  |  |               |
| 48          | F60-06000005     | 手控阀本体                               | SCREW, MANUAL RELEASE               | 1         |  |  |  |  |               |
| 49          | GB/T893.1-20     | 孔用弹性挡圈20                            | RING, SNAP-ROLL                     | 1         |  |  |  |  |               |
| 50          | F60-06000010     | 齿轮泵连接器                              | MOTOR LINK                          | 1         |  |  |  |  |               |
| 51          | F60-06020000     | 齿轮泵组件                               | MOTOR ASSY                          | 1         |  |  |  |  |               |
| 52          | GB/T70.1-M5x45   | 内六角螺钉M5x45(发黑)                      | SCREW M5x45(BLACK)                  | 4         |  |  |  |  |               |
| 53          | GB/T70.1-M5x30   | 内六角螺钉M5x30(发黑)                      | SCREW M5x30(BLACK)                  | 2         |  |  |  |  |               |
| 54          | GB/T70.1-M3x25   | 内六角螺钉M3x25(发黑)                      | SCREW M3x25(BLACK)                  | 2         |  |  |  |  |               |
| 55          | F60-06020015     | 安全阀弹簧压板                             | VALVE PLATE                         | 1         |  |  |  |  |               |
| 56          | F60-06020014     | 安全阀弹簧                               | SPRING                              | 1         |  |  |  |  |               |
| 57          | F60-06020009     | 溢流阀螺塞                               | SCREW, VALVE LOCK                   | 1         |  |  |  |  |               |
| 58          | F60-06020008     | 溢流阀弹簧                               | SPRING                              | 1         |  |  |  |  |               |
| 59          | F60-06020006     | 溢流阀芯                                | BODY, RELIEF VALVE                  | 1         |  |  |  |  |               |
| 60          | F60-06020007     | 溢流阀芯O形圈 $\phi 4.5 \times \phi 1.5$  | O-RING $\phi 4.5 \times \phi 1.5$   | 1         |  |  |  |  |               |
| 61          | F60-06020001     | 齿轮泵体                                | GEAR PUMP BODY                      | 1         |  |  |  |  |               |
| 62          | GB308-3          | 轴承钢珠3                               | BALL 3                              | 2         |  |  |  |  |               |
| 63          | F60-06020100     | 滑梭活塞A组件                             | PISTON, SHUTTLE ASSY A              | 1         |  |  |  |  |               |
| 64          | GB/T896-3        | 开口挡圈3(发黑)                           | RING, SNAP CIRCLIP 3(BLACK)         | 2         |  |  |  |  |               |
| 65          | F60-06020102     | 密封垫片                                | WASHER                              | 2         |  |  |  |  |               |
| 66          | F60-06020101     | 滑梭活塞A                               | PISTON, SHUTTLE A                   | 1         |  |  |  |  |               |
| 67          | F60-06020103     | 滑梭活塞O型圈 $\phi 8.6 \times \phi 1.5$  | O-RING $\phi 8.6 \times \phi 1.5$   | 1         |  |  |  |  |               |
| 68          | F60-06020004     | 滑梭活塞弹簧                              | SPRING                              | 2         |  |  |  |  |               |
| 69          | F60-06020200     | 滑梭活塞B组件                             | PISTON, SHUTTLE ASSY B              | 1         |  |  |  |  |               |
| 70          | F60-06020201     | 滑梭活塞B                               | PISTON, SHUTTLE B                   | 1         |  |  |  |  |               |
| 71          | F60-06020005     | 滚针 $\phi 4 \times 25.8$             | ROLLER $\phi 4 \times 25.8$         | 2         |  |  |  |  |               |
| 72          | F60-06020002     | 齿轮A                                 | GEAR A                              | 1         |  |  |  |  |               |
| 73          | F60-06020003     | 齿轮B                                 | GEAR B                              | 1         |  |  |  |  |               |
| 74          | T85-06010205     | 阀门支座                                | PIN, VALVULA SUPORTE                | 1         |  |  |  |  |               |
| 75          | T85-06010204     | 阀门密封件                               | SEAL, VALVE                         | 1         |  |  |  |  |               |
| 76          | GB308-4          | 轴承钢珠4                               | BALL 4                              | 6         |  |  |  |  |               |
| 77          | F60-06020013     | 溢流阀座                                | SEAT, RELIEF VALVE                  | 1         |  |  |  |  |               |
| 78          | F60-06020012     | 溢流阀座O形圈 $\phi 5.5 \times \phi 1.5$  | O-RING $\phi 5.5 \times \phi 1.5$   | 1         |  |  |  |  |               |
| 79          | F60-06020010     | 齿轮泵盖                                | GEAR PUMP COVER                     | 1         |  |  |  |  |               |
| 80          | F60-06020011     | 单向阀座                                | SEAT, UNILATERAL VALVE              | 2         |  |  |  |  |               |
| 81          | F60-06020017     | 单向阀芯                                | BODY, UNILATERAL VALVE              | 2         |  |  |  |  |               |
| 82          | F60-06020018     | 单向阀O型圈 $\phi 7.5 \times \phi 1.5$   | O-RING $\phi 7.5 \times \phi 1.5$   | 2         |  |  |  |  |               |
| 83          | F60-06020019     | 压缩弹簧                                | SPRING                              | 2         |  |  |  |  |               |
| 84          | F60-06020020     | 手控阀压板                               | PLATE                               | 1         |  |  |  |  |               |
| 85          | F60-06020021     | 阀门密封板                               | SEAT, PLATE                         | 1         |  |  |  |  |               |
| 86          | GB/T70.1-M3x5    | 内六角螺钉M3x5(发黑)                       | SCREW M3x5(BLACK)                   | 1         |  |  |  |  |               |

零部件名称: 手动起翘 (手操)

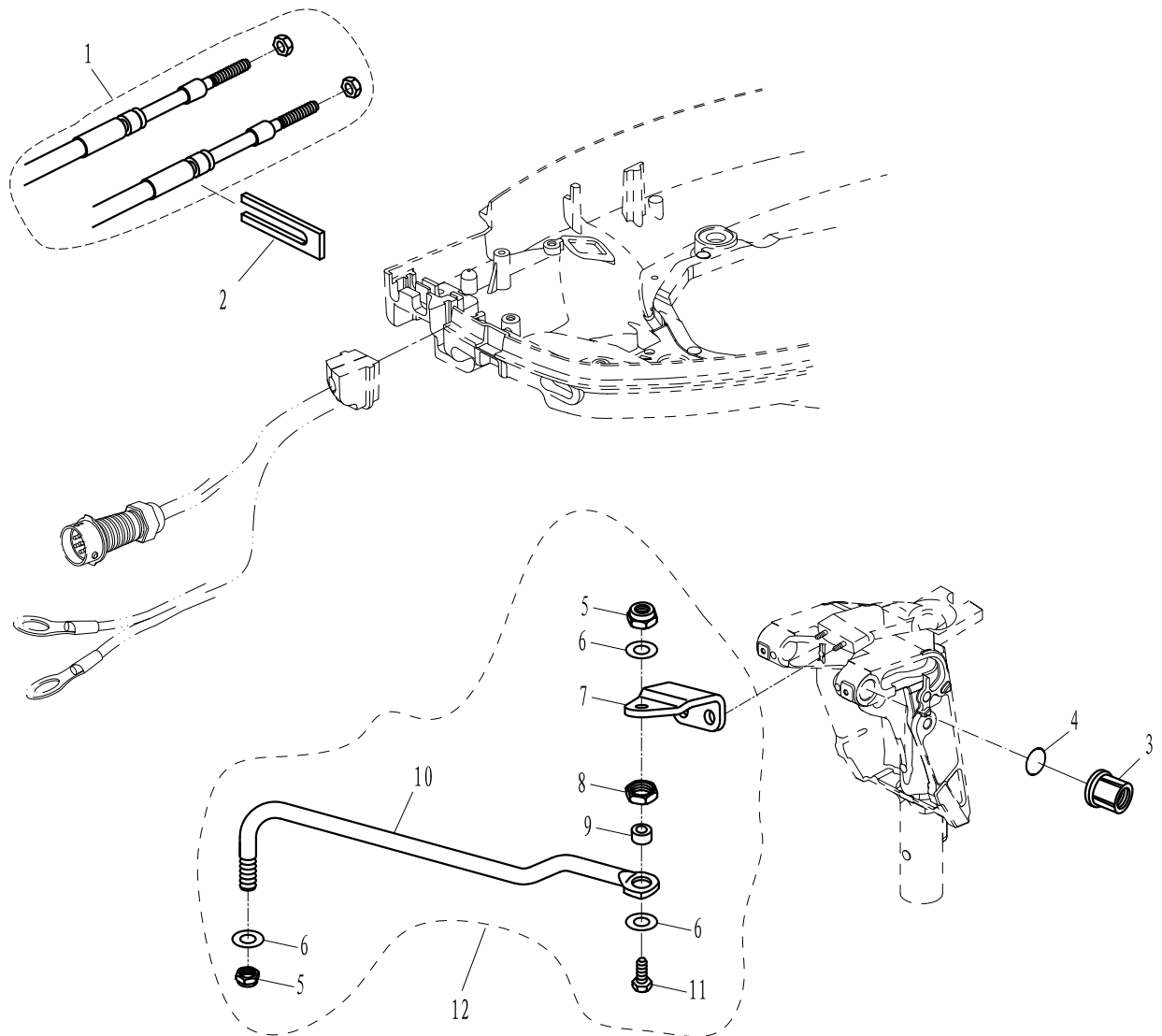
PARTS NAME: MANUAL TILT (MANUAL CONTROL)



| SN.<br>参照号码 | PART NO.<br>零件编号 | DESCRIPTION<br>零件名称 (中文) | DESCRIPTION<br>零件名称 (英文) | QTY<br>数量 |  |  |  |  | REMARKS<br>备注 |
|-------------|------------------|--------------------------|--------------------------|-----------|--|--|--|--|---------------|
| 1           | GB/T894.1-16     | 轴用弹性挡圈16                 | CIRCLIP 16               | 2         |  |  |  |  |               |
| 2           | T60-01010005     | 销轴衬套B                    | BUSH B                   | 2         |  |  |  |  |               |
| 3           | T60-01010006     | 起翘销轴                     | PIN UPPER SHOCK MOUNT    | 1         |  |  |  |  |               |
| 4           | T60-01010004     | 销轴衬套A                    | BUSH A                   | 1         |  |  |  |  |               |
| 5           | T60-01020001D    | 氮气缸手柄                    | HANDEL                   | 1         |  |  |  |  |               |
| 6           | T60-01020000     | 手动气缸组件                   | TRIM & TILT ASSY         | 1         |  |  |  |  |               |
| 7           | F40-00000006D    | 气缸阳极                     | ANODE                    | 1         |  |  |  |  |               |
| 8           | GB/T820-M6x25    | 十字槽半沉头螺钉 M6x25           | SCREW M6x25              | 1         |  |  |  |  |               |
| 9           | T60-01010101     | 夹紧托架 (左)                 | BRACKET, CLAMP (LEFT)    | 1         |  |  |  |  |               |
| 10          | T85-01010403     | 锥形弹簧                     | CONICAL SPRING           | 1         |  |  |  |  |               |
| 11          | T85-01010400     | 角度限位杆组件                  | LIMITATIVE ROD ASSY      | 1         |  |  |  |  |               |

零部件名称: 转向连杆组件

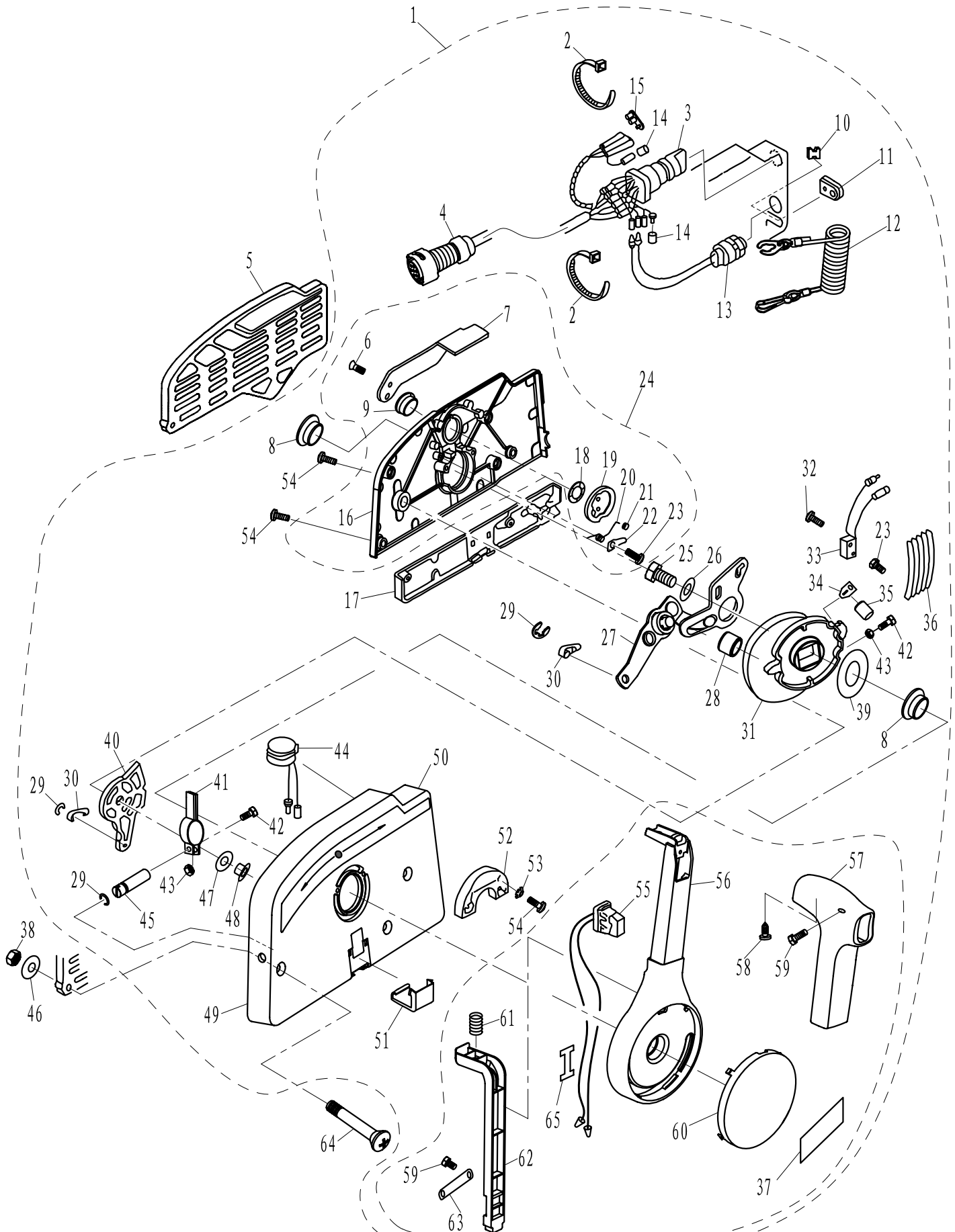
PARTS NAME: LINK ROD ASSY



| SN.<br>参照号码 | PART NO.<br>零件编号 | DESCRIPTION<br>零件名称(中文) | DESCRIPTION<br>零件名称(英文) | QTY<br>数量 |  |  |  |  |  |
|-------------|------------------|-------------------------|-------------------------|-----------|--|--|--|--|--|
| 1           | T85-08000100W    | 操控钢索组件                  | CONTROL CABLE ASSY      | 2         |  |  |  |  |  |
| 2           | F60-03000007     | 开口限位板                   | PLATE, RINGENT          | 1         |  |  |  |  |  |
| 3           | F25-01010012W    | 塑料装饰螺母B                 | NUT, PLASTIC            | 1         |  |  |  |  |  |
| 4           | JASO F404-24-016 | O形密封圈                   | O-RING                  | 1         |  |  |  |  |  |
| 5           | F25-07000006W    | 非金属嵌件六角锁紧薄螺母3/8"        | THIN LOCKNUT            | 2         |  |  |  |  |  |
| 6           | GB/T97.1-10      | 平垫圈 10                  | WASHER 10               | 3         |  |  |  |  |  |
| 7           | F60-01000004     | 转向连接板                   | LINK ROD                | 1         |  |  |  |  |  |
| 8           | F25-07000304W    | 六角螺母3/8"                | NUT 3/8"                | 1         |  |  |  |  |  |
| 9           | F25-07000303W    | 螺栓垫管                    | TUBE , BOLT             | 1         |  |  |  |  |  |
| 10          | F25-07000301W    | 转向连杆                    | LINK ROD , TURNING      | 1         |  |  |  |  |  |
| 11          | F25-07000302W    | 转向连杆螺栓                  | BOLT                    | 1         |  |  |  |  |  |
| 12          | F60-08000300W    | 转向连杆总成                  | LINK ROD ASSY           | 1         |  |  |  |  |  |

零部件名称: 操纵盒组件

PARTS NAME: CONTROL BOX ASSY



零部件名称:

操纵盒组件

PARTS NAME:

CONTROL BOX ASSY

| SN.<br>参照号码 | PART NO.<br>零件编号 | DESCRIPTION<br>零件名称(中文) | DESCRIPTION<br>零件名称(英文)        | QTY<br>数量 |  |  |  |  | REMARKS<br>备注 |
|-------------|------------------|-------------------------|--------------------------------|-----------|--|--|--|--|---------------|
| 1           | F40-13000000EI   | 操纵盒组件                   | CONTROL BOX ASSY               | 1         |  |  |  |  | EFI           |
| 2           | HT2. 5x60        | 尼龙扎带                    | CLAMP                          | 2         |  |  |  |  |               |
| 3           | F40-13000200EI   | 起动开关组件                  | STARTING SWICH ASSY            | 1         |  |  |  |  | EFI           |
| 4           | F40-08010100EI   | 操纵绳索                    | CONTROL CABLE                  | 1         |  |  |  |  | EFI           |
| 5           | F15-11000002W    | 操纵盒安装板                  | PLATE, CONTROL BOX             | 1         |  |  |  |  |               |
| 6           | GB/T819. 2-M5x12 | 十字槽沉头螺钉 M5x12           | SCREW PAN HEAD M5x12           | 2         |  |  |  |  |               |
| 7           | F15-13020007W    | 油门微调手柄                  | THROTTLE HANDLE, INCHING       | 1         |  |  |  |  |               |
| 8           | F15-13000005W    | 凸轮机构衬套                  | BUSH, CAM                      | 2         |  |  |  |  |               |
| 9           | F15-13020006W    | 微调手柄衬套                  | BUSH, HANDLE                   | 1         |  |  |  |  |               |
| 10          | F15-11000001W    | 钢索橡胶垫块                  | BLOCK, RUBBER                  | 1         |  |  |  |  |               |
| 11          | F15-13000014W    | 线索护套                    | JACKET, CABLE                  | 1         |  |  |  |  |               |
| 12          | F4-01090401      | 引擎停止安全索                 | STOPER, HANG ROPE ASSY         | 1         |  |  |  |  |               |
| 13          | F15-13000400W    | 急停开关组件                  | ENGINE STOP SWICH ASSY         | 1         |  |  |  |  |               |
| 14          | F15-13000203W    | 绝缘堵头 B                  | INSULATED PLUG "B"             | 2         |  |  |  |  |               |
| 15          | F15-13000202W    | 绝缘堵头 A                  | INSULATED PLUG "A"             | 1         |  |  |  |  |               |
| 16          | F15-13020001W    | 操纵盒盖                    | COVER , CONTROL BOX            | 1         |  |  |  |  |               |
| 17          | F15-13000013W    | 操纵盒小盖板                  | SMALL COVER , CONTROL BOX      | 1         |  |  |  |  |               |
| 18          | F15-13020005W    | 波形垫圈 B                  | WASHER "B" , WAVE              | 1         |  |  |  |  |               |
| 19          | F15-13020100W    | 锁紧圆盘组件                  | LOCKED DISK ASSY               | 1         |  |  |  |  |               |
| 20          | F15-13020002W    | 扭簧                      | TORSION SPRING                 | 1         |  |  |  |  |               |
| 21          | F15-13020003W    | 互锁滑轮                    | EACH LOCKED PULLEY             | 1         |  |  |  |  |               |
| 22          | F15-13020004W    | 滑轮弹簧压板                  | PLATE , PULLEY SPRING          | 1         |  |  |  |  |               |
| 23          | GB/T818-M4x6     | 十字槽盘头螺钉 M4x6            | PAN HEAD SCREW M4x6            | 2         |  |  |  |  |               |
| 24          | F15-13020000W    | 操纵盒盖组件                  | COVER ASSY, CONTROL BOX        | 1         |  |  |  |  |               |
| 25          | GB/T5783-M8x30   | 六角螺栓 M8x30              | BOLT M8x30                     | 1         |  |  |  |  |               |
| 26          | GB/T97. 1-8      | 平垫圈 8                   | WASHER 8                       | 1         |  |  |  |  |               |
| 27          | T20-13000500W    | 油门控制机构                  | MACHINE, CONTROL ACCELEROGRAPH | 1         |  |  |  |  |               |
| 28          | F15-13000007W    | 销轴垫圈                    | WASHER                         | 1         |  |  |  |  |               |
| 29          | GB/T896-6        | 开口挡圈 6                  | PIN , COTTER 6                 | 3         |  |  |  |  |               |
| 30          | F25-07000007W    | 操控钢索接头 B                | CONTROL CABLE TIE-IN "B"       | 2         |  |  |  |  |               |
| 31          | F15-13000002W    | 凸轮机构                    | CAM MECHANISM                  | 1         |  |  |  |  |               |
| 32          | GB/T818-M3x14    | 十字槽盘头螺钉M3x14            | PAN HEAD SCREW M3X14           | 2         |  |  |  |  |               |
| 33          | F15-13000800W    | 微动开关                    | INCHING SWITCH                 | 1         |  |  |  |  |               |
| 34          | F15-13000003W    | 档位弹簧片压板                 | PLATE                          | 1         |  |  |  |  |               |
| 35          | F15-13000004W    | 档位滑轮                    | PULLEY                         | 1         |  |  |  |  |               |
| 36          | F15-13000001W    | 档位弹簧片 B                 | SHIFT SPRING PLATE "B"         | 5         |  |  |  |  |               |
| 37          | F15-12000016W    | 标贴 16                   | MARK 16                        | 1         |  |  |  |  |               |
| 38          | GB/T6170-M6      | 六角螺母 M6                 | NUT M6                         | 3         |  |  |  |  |               |
| 39          | F15-13000008W    | 凸轮机构减磨片                 | WEARABLE PLATE , CAM MACHANISM | 1         |  |  |  |  |               |
| 40          | F15-13000700W    | 变档摆杆                    | SHIFT SWING LINK               | 1         |  |  |  |  |               |
| 41          | F15-13000601W    | 调节器固定板组件                | ADJUSTER FASTNESS ASSY         | 1         |  |  |  |  |               |
| 42          | GB/T5783-M5x25   | 六角螺栓 M5x25              | BOLT M5x25                     | 2         |  |  |  |  |               |
| 43          | GB/T6170-M5      | 六角螺母 M5                 | NUT M5                         | 2         |  |  |  |  |               |

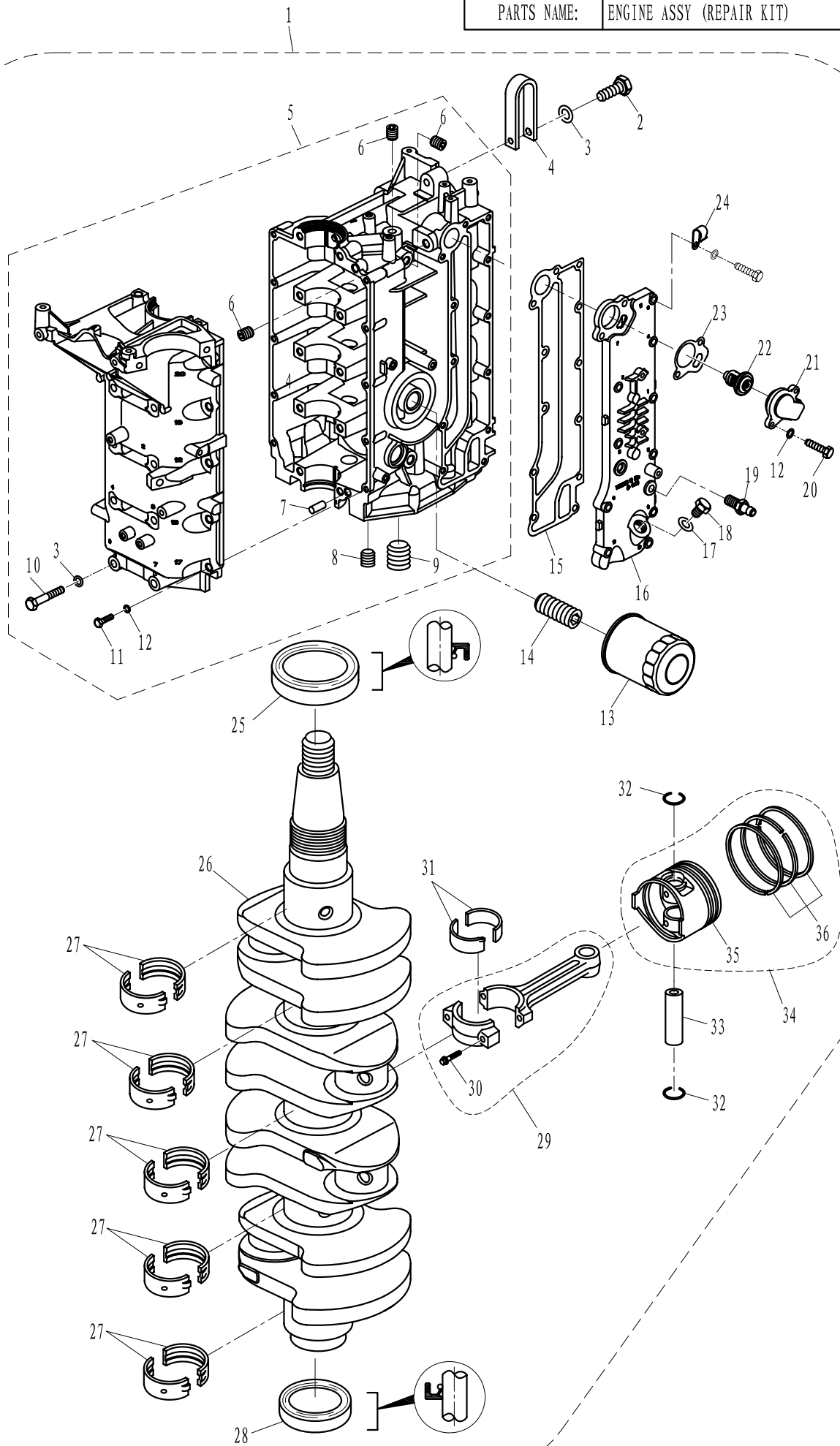






零部件名称: 发动机头组件 (维修件)

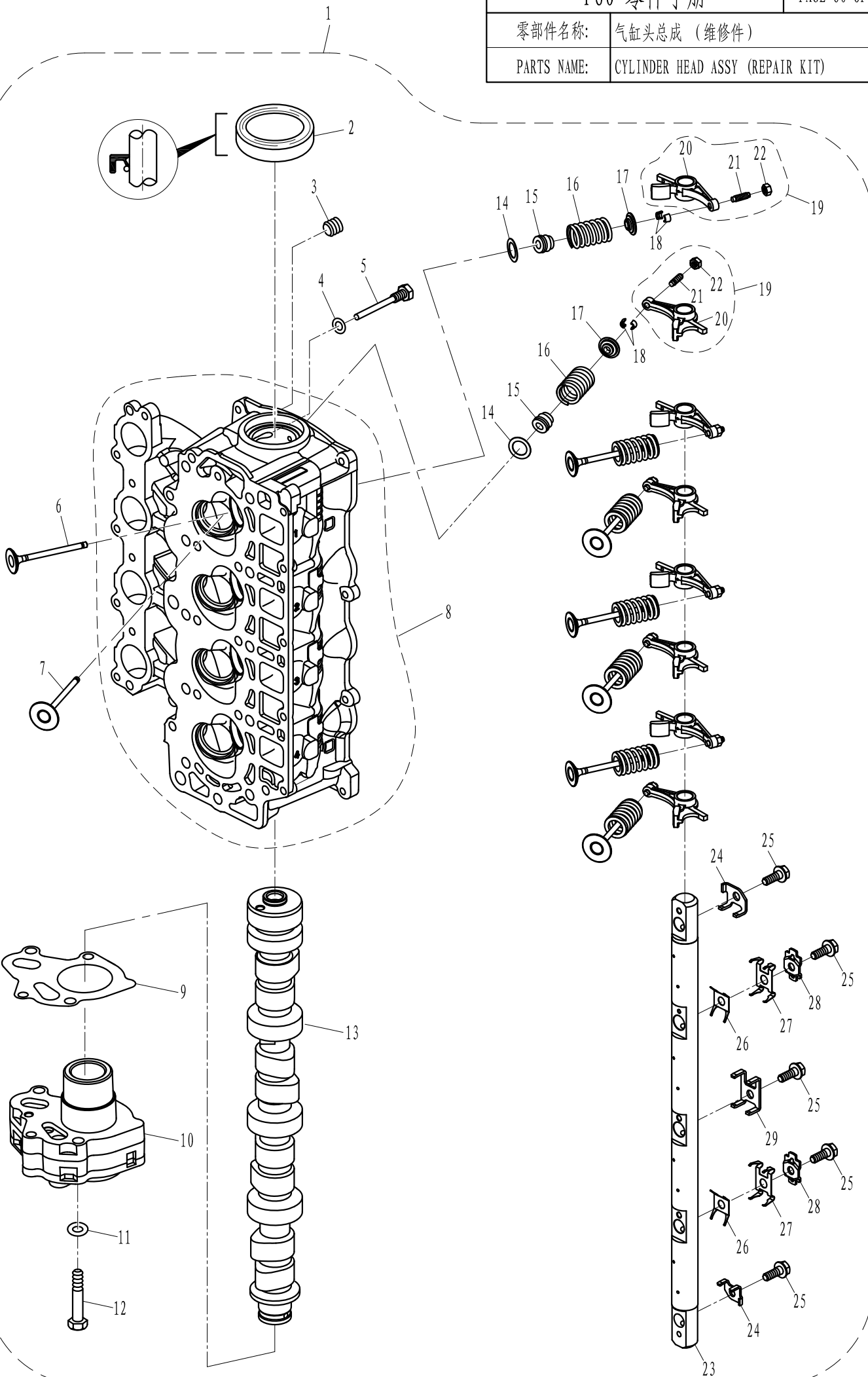
PARTS NAME: ENGINE ASSY (REPAIR KIT)





零部件名称: 气缸头总成 (维修件)

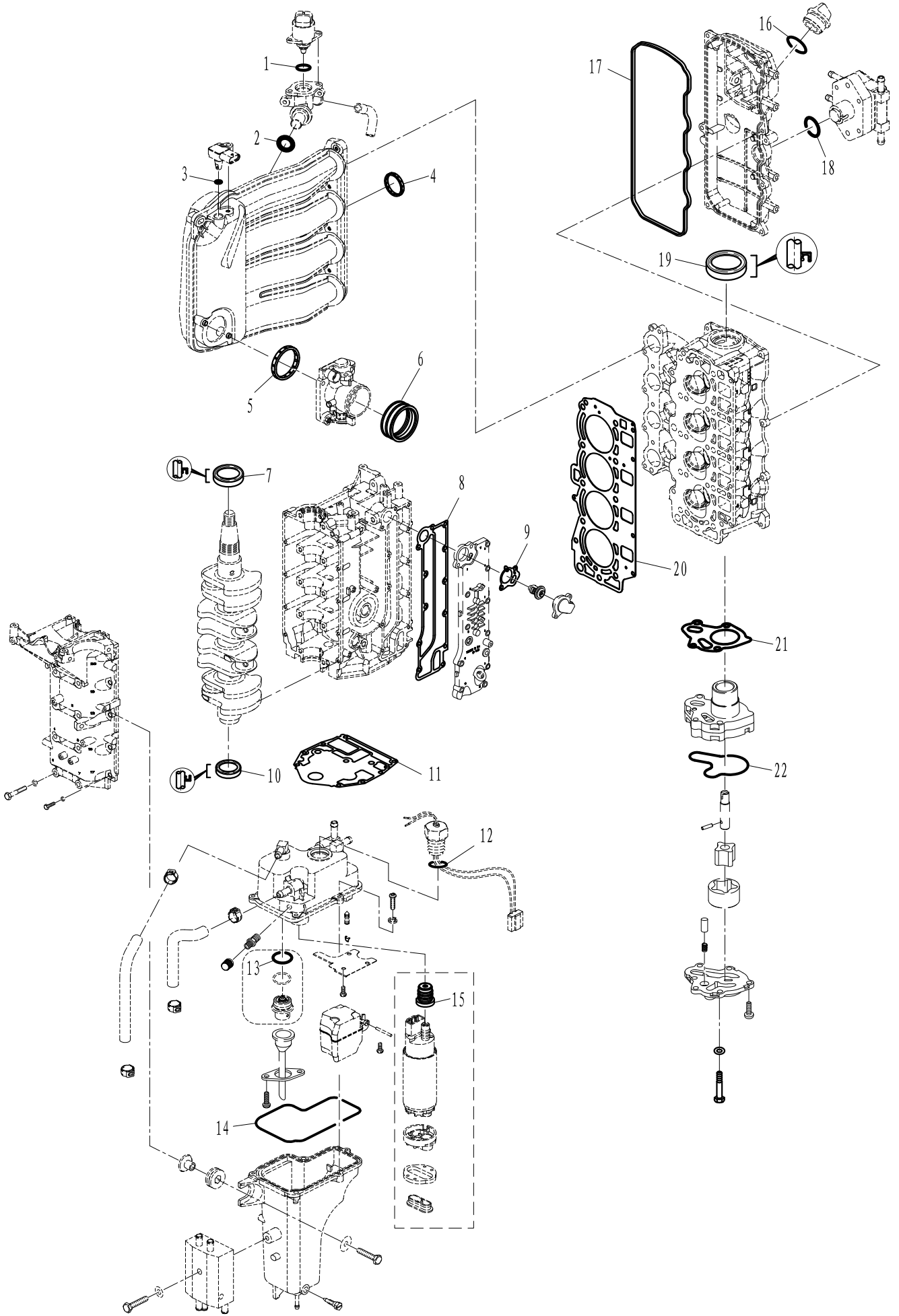
PARTS NAME: CYLINDER HEAD ASSY (REPAIR KIT)





零部件名称: 附件 1 (维修件)

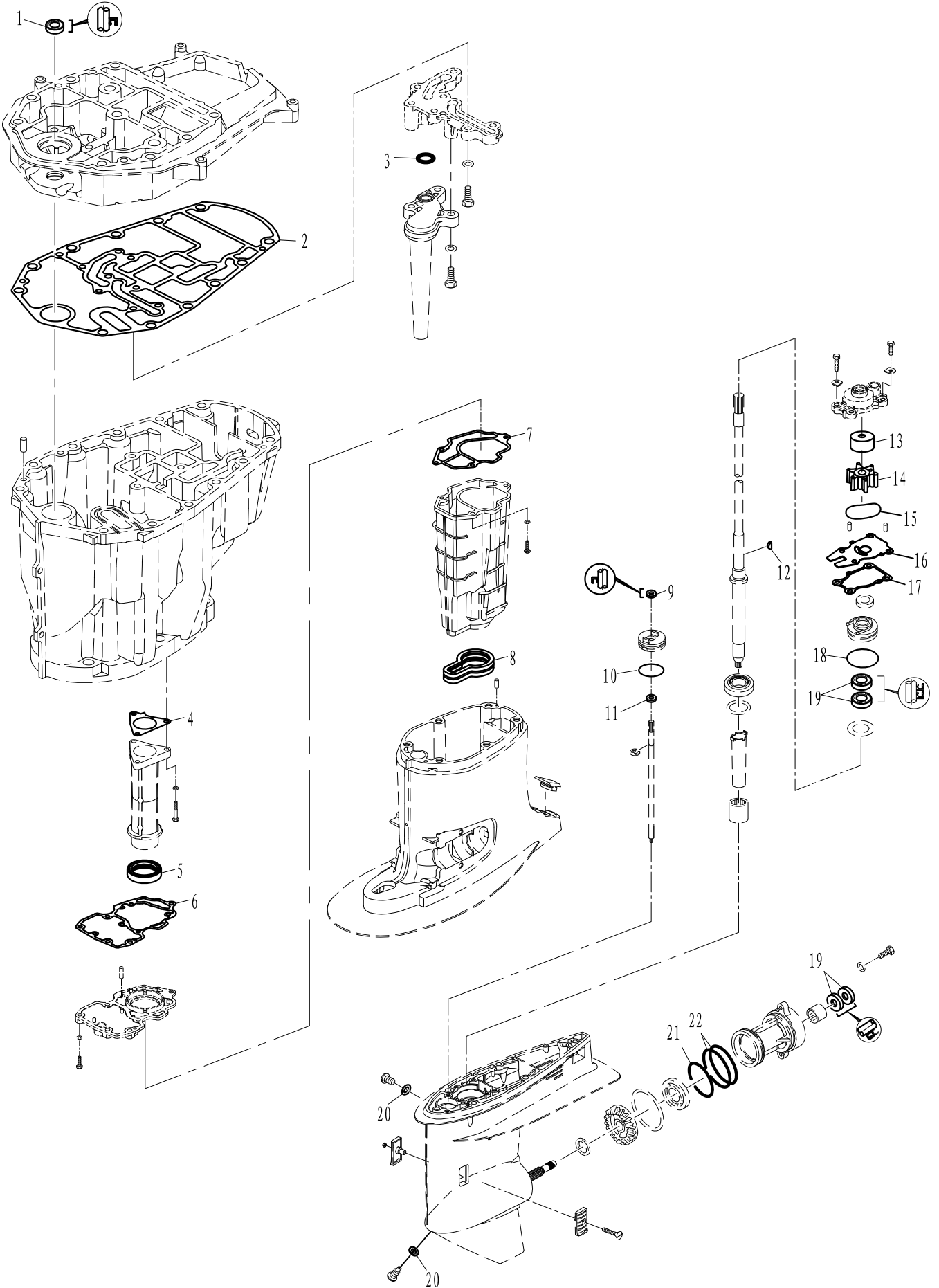
PARTS NAME: APPENDIX 1 (REPAIR KIT)





零部件名称: 附件 2 (维修件)

PARTS NAME: APPENDIX 2 (REPAIR KIT)







零部件名称:

零件目录检索表

PARTS NAME:

PARTS CATALOGUE INDEX

| 零件代号<br>PART NO.   | 页码/序号<br>PAGE/NO. | 零件代号<br>PART NO. | 页码/序号<br>PAGE/NO. | 零件代号<br>PART NO. | 页码/序号<br>PAGE/NO. |
|--------------------|-------------------|------------------|-------------------|------------------|-------------------|
| 10-32-UNF-2B       | 5-42              | F15-04000002     | 10-9              | F15-13000006W    | 56-47             |
| HDB-6x1.5          | 24-27             | F15-04000003     | 10-8              | F15-13000007W    | 55-28             |
| HT2.5x60           | 55-2              | F15-04000005     | 8-3               | F15-13000008W    | 55-39             |
| HT4.0x300          | 28-22             | F15-05000009     | 12-39             | F15-13000011W    | 56-48             |
| JASO F404 19-007   | 17-24             | F15-05000022     | 12-36             | F15-13000012W    | 56-49             |
| JASO F404 24-012   | 10-13             | F15-05000023     | 12-37             | F15-13000013W    | 55-17             |
| JASO F404 24-50    | 17-12             | F15-05000026     | 12-32             | F15-13000014W    | 55-11             |
| JASO F404 31-035   | 17-23             | F15-05000036     | 12-35             | F15-13000015W    | 56-51             |
| JASO F404 31-065   | 50-42             | F15-05170301W    | 26-15             | F15-13000202W    | 55-15             |
| JASO F404 35 025   | 30-2              | F15-05170501W    | 26-5              | F15-13000203W    | 55-14             |
| JASO F404-24-016   | 53-4              | F15-07000021     | 24-21             | F15-13000300W    | 56-44             |
| JB/T7271.1-M10x32  | 5-35              | F15-07000030     | 34-10             | F15-13000400W    | 55-13             |
| JB/T7940.1-M6      | 2-19              | F15-07000031     | 34-22             | F15-13000601W    | 55-41             |
| JB/T9740.1-M6      | 5-18              | F15-07010003     | 34-14             | F15-13000602W    | 56-45             |
| JIS B 2401-P24     | 50-25             | F15-07010004     | 34-5              | F15-13000700W    | 55-40             |
| JIS B 2401-P40     | 50-16             | F15-07010004     | 44-8              | F15-13000800W    | 55-33             |
| JIS B 2407-P24T2   | 50-26             | F15-07010005     | 30-13             | F15-13010001W    | 56-56             |
| JIS B 2407-P40T2   | 50-15             | F15-07010021     | 34-21             | F15-13010002W    | 56-57             |
| JIS FG46           | 50-7              | F15-07010022     | 34-23             | F15-13010004W    | 56-62             |
| KOYO H1-CAP 332/32 | 18-39             | F15-07040006     | 38-5              | F15-13010005W    | 56-61             |
| PS2700.04.03       | 38-3              | F15-07040007     | 38-6              | F15-13010008W    | 56-63             |
| S7133-13.3         | 40-13             | F15-07040303     | 38-9              | F15-13010009W    | 56-60             |
|                    | 42-11             | F15-07040304     | 38-10             | F15-13010010W    | 56-52             |
|                    | 44-9              | F15-07050004     | 30-1              | F15-13020000W    | 55-24             |
| E10-01010008       | 48-7              | F15-07080001     | 40-6              | F15-13020001W    | 55-16             |
| E4-07020015W       | 56-65             | F15-07110003     | 36-20             | F15-13020002W    | 55-20             |
| E4-10040100W       | 56-55             | F15-07130314W    | 15-12             | F15-13020003W    | 55-21             |
| F4-01090006        | 5-6               | F15-07150300W    | 26-14             | F15-13020004W    | 55-22             |
| F4-01090007        | 5-4               | F15-09000000     | 57-1              | F15-13020005W    | 55-18             |
| F4-01090300        | 5-1               | F15-09000001     | 57-12             | F15-13020006W    | 55-9              |
| F4-01090401        | 6-50              | F15-09000002     | 57-14             | F15-13020007W    | 55-7              |
|                    | 55-12             | F15-09000003     | 57-11             | F15-13020100W    | 55-19             |
| F4-03000023        | 17-27             | F15-09010000     | 57-15             |                  |                   |
| F4-03000024        | 17-28             | F15-09020000     | 57-10             |                  |                   |
| F4-04000019        | 36-5              | F15-09030000     | 57-13             |                  |                   |
| F4-04000030        | 40-10             | F15-10000000     | 57-2              |                  |                   |
| F4-04090005        | 40-27             | F15-10000001     | 57-9              | F20-03000101     | 12-26             |
| F4-04090011        | 40-26             | F15-10000002     | 57-8              | F20-03000202W    | 12-20             |
| F4-04120106        | 6-47              | F15-10000003     | 57-7              | F20-05000037     | 30-19             |
| F4-05000200        | 12-3              | F15-10010000     | 57-3              | F25-00000004     | 12-28             |
| F8-00000005        | 22-10             | F15-10020000     | 57-6              | F25-00000014     | 8-2               |
| F8-05000007        | 24-22             | F15-11000001W    | 55-10             |                  |                   |
| F8-05000021        | 24-24             | F15-11000002W    | 55-5              |                  |                   |
| F8-05000022        | 30-20             | F15-12000013W    | 56-50             | F25-01010009     | 5-25              |
| F15-00000006       | 8-19              | F15-12000016W    | 55-37             | F25-01010011     | 2-17              |
|                    | 10-11             | F15-13000001W    | 55-36             | F25-01010012W    | 53-3              |
|                    | 20-10             | F15-13000002W    | 55-31             | F25-03000002     | 13-44             |
| F15-00000009       | 15-5              | F15-13000003W    | 55-34             | F25-03000006     | 12-29             |
| F15-00000012       | 15-2              | F15-13000004W    | 55-35             | F25-03000007     | 12-30             |
| F15-01010007       | 2-16              | F15-13000005W    | 55-8              | F25-03000019     | 12-31             |

零部件名称:

零件目录检索表

PARTS NAME:

PARTS CATALOGUE INDEX

| 零件代号<br>PART NO. | 页码/序号<br>PAGE/NO. | 零件代号<br>PART NO. | 页码/序号<br>PAGE/NO. | 零件代号<br>PART NO. | 页码/序号<br>PAGE/NO. |
|------------------|-------------------|------------------|-------------------|------------------|-------------------|
| F25-03000022W    | 12-43             | F25-05050021     | 30-12             | F40-05000040EI   | 44-11             |
| F25-03000023W    | 12-10             | F25-05050300     | 38-7              | F40-05000042EI   | 24-16             |
| F25-03000100W    | 12-12             | F25-05050301     | 38-8              | F40-05000044EI   | 44-5              |
| F25-03000101W    | 12-13             | F25-05090004     | 42-38             | F40-05000045EI   | 44-3              |
| F25-03000102W    | 12-14             | F25-05090005     | 42-37             | F40-05000046EI   | 44-1              |
| F25-03000103W    | 12-15             | F25-05130001     | 40-21             | F40-05000049EI   | 24-30             |
| F25-03000104W    | 12-16             | F25-05130002     | 40-23             | F40-05000059EI   | 24-11             |
| F25-03020000     | 12-34             | F25-05130003     | 40-20             | F40-05000060EI   | 24-6              |
| F25-04000007     | 8-13              | F25-05130004     | 40-19             | F40-05000071EI   | 44-10             |
|                  | 17-7              | F25-05130005     | 40-29             | F40-05000500EI   | 24-14             |
| F25-04000015     | 17-16             | F25-05130006     | 40-30             | F40-05000600EI   | 22-8              |
| F25-04000031     | 17-31             | F25-05130007     | 40-31             | F40-05001000-1EI | 26-19             |
| F25-04010003     | 17-13             | F25-05130008     | 40-24             | F40-05001000-2EI |                   |
| F25-05000002     | 30-17             | F25-05130100     | 40-25             | F40-05001000-3EI |                   |
| F25-05000003     | 30-16             | F25-05170001W    | 26-23             | F40-05001000-4EI |                   |
| F25-05000021     | 36-2              | F25-05170201W    | 26-21             | F40-05010400EI   | 42-8              |
| F25-05000023     | 36-3              | F25-05170202W    | 26-11             | F40-05020100     | 32-10             |
| F25-05000024     | 22-11             | F25-06000004     | 46-8              | F40-05020101     | 32-11             |
| F25-05000025     | 22-5              | F25-06000006     | 46-6              | F40-05030500EI   | 24-34             |
| F25-05000026     | 22-4              | F25-06000100     | 46-10             | F40-05040002     | 38-15             |
| F25-05000035     | 34-9              | F25-07000005W    | 15-1              | F40-05040003     | 38-18             |
| F25-05000100     | 34-13             | F25-07000006W    | 53-5              | F40-05040006     | 36-9              |
| F25-05010103     | 34-8              | F25-07000007W    | 55-30             | F40-05040400     | 36-13             |
| F25-05010104     | 34-7              | F25-07000301W    | 53-10             | F40-05040401     | 36-14             |
| F25-05010106     | 34-3              | F25-07000302W    | 53-11             | F40-05040402     | 36-19             |
| F25-05010107     | 30-6              | F25-07000303W    | 53-9              | F40-05040403     | 36-18             |
| F25-05010113     | 34-19             | F25-07000304W    | 53-8              | F40-05040404     | 36-16             |
| F25-05010302-1   | 32-3              | F25-07150301W    | 44-13             | F40-05040405     | 36-15             |
| F25-05010302-2   |                   |                  |                   | F40-05040406     | 36-22             |
| F25-05020002     | 32-4              |                  |                   | F40-05040407     | 36-12             |
| F25-05020003     | 32-1              |                  |                   | F40-05040408     | 36-21             |
| F25-05020102     | 32-12             | F40-00000002     | 8-21              | F40-05050000     | 40-18             |
| F25-05020105     | 32-9              | F40-00000003     | 34-12             | F40-05050200     | 40-28             |
| F25-05020106     | 32-8              | F40-00000006D    | 52-7              | F40-05070002     | 30-5              |
| F25-05020200     | 32-5              | F40-02000010     | 20-12             | F40-05090300EI   | 44-7              |
| F25-05020203-1   | 32-7              | F40-03000008     | 12-41             | F40-05090400EI   | 28-20             |
| F25-05020203-2   |                   | F40-03000013EI   | 26-8              | F40-05090401EI   | 28-31             |
| F25-05020204     | 32-6              | F40-03000016     | 34-27             | F40-05090403EI   | 28-19             |
| F25-05050001     | 38-11             | F40-03000300EI   | 12-25             | F40-05090408EI   | 28-23             |
| F25-05050002     | 38-1              | F40-03000600W    | 12-40             | F40-05090500EI   | 28-5              |
| F25-05050003     | 38-2              | F40-05000003     | 24-12             | F40-05090501EI   | 28-8              |
| F25-05050005     | 38-4              |                  | 34-24             | F40-05090502EI   | 28-9              |
| F25-05050006     | 30-15             | F40-05000007     | 36-1              | F40-05090503-1EI | 28-7              |
| F25-05050007     | 30-14             | F40-05000008     | 36-4              | F40-05090503EI   | 28-6              |
| F25-05050009     | 38-13             | F40-05000009-1EI | 24-26             | F40-05090600EI   | 28-3              |
| F25-05050011     | 38-16             | F40-05000026EI   | 28-15             | F40-05090601EI   | 28-4              |
| F25-05050012     | 38-17             | F40-05000034     | 22-9              | F40-05090700EI   | 24-15             |
| F25-05050016     | 36-10             | F40-05000036     | 40-4              | F40-05090803EI   | 28-17             |
| F25-05050018     | 36-8              | F40-05000037     | 34-18             | F40-05091100EI   | 44-12             |
| F25-05050019     | 38-14             | F40-05000038     | 34-17             | F40-05091400EI   | 24-7              |

零部件名称:

零件目录检索表

PARTS NAME:

PARTS CATALOGUE INDEX

| 零件代号<br>PART NO. | 页码/序号<br>PAGE/NO. | 零件代号<br>PART NO. | 页码/序号<br>PAGE/NO. | 零件代号<br>PART NO. | 页码/序号<br>PAGE/NO. |
|------------------|-------------------|------------------|-------------------|------------------|-------------------|
| F40-05091401EI   | 24-3              | F60-00000015     | 48-2              | F60-03000005FW   | 12-5              |
| F40-05091402EI   | 24-4              | F60-00000100     | 3-45              | F60-03000006BW   | 13-48             |
| F40-05091500EI   | 24-31             | F60-00000200     | 15-32             | F60-03000006FW   | 12-2              |
| F40-05100000EI   | 42-7              | F60-00000204     | 15-27             | F60-03000007     | 53-2              |
| F40-05100001EI   | 42-28             | F60-00000205     | 15-26             | F60-03000008     | 12-23             |
| F40-05100002EI   | 42-29             | F60-00000300     | 15-21             | F60-03000012     | 40-11             |
| F40-05100003EI   | 42-26             | T60-01000001     | 3-48              | F60-03000100     | 12-38             |
| F40-05100004EI   | 42-13             | F60-01000004     | 53-7              | F60-03000300     | 12-18             |
| F40-05100010EI   | 42-12             | F60-01000100BW   | 6-51              | F60-03000301     | 12-19             |
| F40-05100100EI   | 42-10             | F60-01000101BW   | 6-55              | F60-04000000     | 18-60             |
| F40-05100201EI   | 42-15             | F60-01010001     | 2-36              | F60-04000001     | 17-32             |
| F40-05100202EI   | 42-14             | F60-01010002     | 2-13              | F60-04000002     | 17-34             |
| F40-05100301EI   | 42-24             | F60-01010003A    | 2-37              | F60-04000003     | 18-37             |
| F40-05100302EI   | 42-25             | F60-01010004     | 2-18              | F60-04000004     | 17-26             |
| F40-05100500EI   | 42-30             | F60-01010101     | 2-27              | F60-04000008     | 17-10             |
| F40-05100501EI   | 42-31             | F60-01010102     | 2-32              | F60-04000009     | 17-8              |
| F40-05100502EI   | 42-34             | F60-01010103     | 2-23              | F60-04000101     | 17-22             |
| F40-05100503EI   | 42-33             | F60-01010104     | 2-11              | F60-04000300     | 17-5              |
| F40-05100504EI   | 42-32             | F60-01010200     | 2-35              | F60-04000401     | 17-3              |
| F40-05100511EI   | 44-15             | F60-01020000     | 2-6               | F60-04000500     | 18-50             |
| F40-05100600-1EI | 42-18             | F60-01030000     | 6-48              | F60-04000600     | 18-40             |
| F40-05100600EI   | 42-16             | F60-01030019     | 5-41              | F60-04010000     | 17-15             |
| F40-05100601EI   | 42-17             | F60-01030100     | 5-8               | F60-04020000     | 18-48             |
| F40-05100602EI   | 42-19             | F60-02000001     | 8-20              | F60-04020001     | 18-47             |
| F40-05100603EI   | 42-20             | F60-02000002     | 3-50              | F60-04020002     | 18-43             |
| F40-05100701EI   | 42-36             | F60-02000003     | 8-23              | F60-04020003     | 18-44             |
| F40-05100703EI   | 42-43             | F60-02000005     | 10-3              | F60-04020005     | 18-41             |
| F40-05100704EI   | 42-35             | F60-02000006     | 10-4              | F60-04030000     | 18-53             |
| F40-05100800EI   | 42-39             | F60-02000007     | 20-2              | F60-05000001     | 32-2              |
| F40-06000007     | 46-15             | F60-02000008     | 8-18              | F60-05000003     | 30-9              |
| F40-08000001     | 46-14             | F60-02000009A    | 10-10             | F60-05000004     | 34-15             |
| F40-08000002     | 46-3              | F60-02000010     | 2-2               | F60-05000005     | 34-16             |
| F40-08000003     | 46-16             | F60-02000011     | 2-1               | F60-05000006     | 40-14             |
| F40-08010100EI   | 55-4              | F60-02010001     | 8-4               | F60-05000008     | 44-14             |
| F40-13000000EI   | 55-1              | F60-02010002     | 8-1               | F60-05000011     | 28-26             |
| F40-13000200EI   | 55-3              | F60-02010003     | 10-2              | F60-05000012     | 15-3              |
|                  |                   | F60-02010004     | 10-12             | F60-05000013     | 15-7              |
| F60-00000001     | 2-41              | F60-02010005     | 10-14             | F60-05000014-1   | 15-15             |
| F60-00000002     | 3-46              | F60-02010006     | 10-5              | F60-05000014-2   | 15-4              |
| F60-00000003     | 3-44              | F60-02010007     | 8-8               | F60-05000015     | 15-6              |
| F60-00000004     | 2-40              | F60-02010008     | 8-12              | F60-05000016     | 42-4              |
| F60-00000005     | 2-39              | F60-02010009     | 8-14              | F60-05000017     | 15-14             |
| F60-00000006     | 15-22             | F60-02010010     | 8-16              | F60-05000018     | 15-13             |
| F60-00000007     | 15-34             | F60-02010011     | 8-17              | F60-05000019     | 42-3              |
| F60-00000008     | 15-17             | F60-02010012     | 8-11              | F60-05000020     | 15-11             |
| F60-00000009     | 15-30             | F60-02010013     | 8-7               | F60-05000021     | 10-1              |
| F60-00000011     | 48-10             | F60-02020000     | 2-3               | F60-05000023     | 24-20             |
| F60-00000012     | 48-9              | F60-03000001     | 12-1              | F60-05000024     | 44-6              |
| F60-00000013     | 48-11             | F60-03000003     | 12-8              | F60-05000025     | 42-1              |
| F60-00000014     | 13-45             | F60-03000005BW   | 13-47             | F60-05000026     | 34-28             |

零部件名称:

零件目录检索表

PARTS NAME:

PARTS CATALOGUE INDEX

| 零件代号<br>PART NO. | 页码/序号<br>PAGE/NO. | 零件代号<br>PART NO. | 页码/序号<br>PAGE/NO. | 零件代号<br>PART NO. | 页码/序号<br>PAGE/NO. |
|------------------|-------------------|------------------|-------------------|------------------|-------------------|
| F60-05000028     | 34-25             | F60-06010000     | 50-2              | T15-04040005     | 15-9              |
| F60-05000030     | 34-29             | F60-06010002     | 50-5              | T20-03000006     | 15-28             |
| F60-05000031     | 24-23             | F60-06010003     | 50-4              | T20-06000037W    | 15-33             |
| F60-05000032     | 34-33             | F60-06010004     | 50-18             | T20-13000500W    | 55-27             |
| F60-05000036     | 24-32             | F60-06010006     | 50-19             | T36-02000006     | 8-22              |
| F60-05000037     | 34-30             | F60-06010007     | 50-20             | T36-02020003     | 2-43              |
| F60-05000040     | 34-32             | F60-06010008     | 50-21             | T36-03000403     | 18-42             |
| F60-05000041     | 22-1              | F60-06010009     | 50-22             | T40-00000009     | 20-16             |
| F60-05000042     | 26-26             | F60-06010010     | 50-23             | T40-00000010     | 20-15             |
| F60-05000043     | 28-24             | F60-06010100     | 50-3              | T40-02000002     | 20-3              |
| F60-05000047     | 34-26             | F60-06010200     | 50-8              | T40-04000002     | 17-19             |
| F60-05000048     | 28-27             | F60-06010201     | 50-9              | T40-04000003     | 17-18             |
| F60-05000050     | 34-31             | F60-06010203     | 50-13             | T40-04000003-1   |                   |
| F60-05000051EI   | 40-12             | F60-06010204     | 50-11             | T40-04000003-2   |                   |
| F60-05000052     | 22-15             | F60-06020000     | 51-51             | T40-04000003-3   |                   |
| F60-05000053     | 42-6              | F60-06020001     | 51-61             | T40-04000003-4   |                   |
| F60-05000054     | 42-5              | F60-06020002     | 51-72             | T40-04000003-5   |                   |
| F60-05000100     | 30-22             | F60-06020003     | 51-73             | T40-04000003-6   |                   |
| F60-05000200     | 22-14             | F60-06020004     | 51-68             | T40-04000003-7   |                   |
| F60-05000300     | 22-6              | F60-06020005     | 51-71             | T40-04000004     | 18-38             |
| F60-05000500     | 26-27             | F60-06020006     | 51-59             | T40-04000004-1   |                   |
| F60-05000600     | 24-19             | F60-06020007     | 51-60             | T40-04000004-2   |                   |
| F60-05000601     | 24-17             | F60-06020008     | 51-58             | T40-04000004-3   |                   |
| F60-05000800     | 26-3              | F60-06020009     | 51-57             | T40-04000004-4   |                   |
| F60-05000900     | 26-18             | F60-06020010     | 51-79             | T40-04000004-5   |                   |
| F60-05001000     | 24-29             | F60-06020011     | 51-80             | T40-04000004-6   |                   |
| F60-05001100     | 28-18             | F60-06020012     | 51-78             | T40-04000004-7   |                   |
| F60-05010000     | 34-4              | F60-06020013     | 51-77             | T40-04000006     | 17-33             |
| F60-05020001     | 38-12             | F60-06020014     | 51-56             | T40-04000008     | 17-14             |
| F60-05020100     | 30-18             | F60-06020015     | 51-55             | T40-04000010     | 17-9              |
| F60-05020200     | 36-11             | F60-06020017     | 51-81             | T40-04000012     | 17-2              |
| F60-05030000     | 30-3              | F60-06020018     | 51-82             | T40-04000013     | 20-6              |
| F60-05030001     | 30-4              | F60-06020019     | 51-83             | T40-04000014     | 20-5              |
| F60-05030002     | 30-7              | F60-06020020     | 51-84             | T40-04000018     | 20-17             |
| F60-06000000     | 50-1              | F60-06020021     | 51-85             | T40-04000019     | 20-19             |
| F60-06000001     | 50-36             | F60-06020100     | 51-63             | T40-04000020     | 20-20             |
| F60-06000002     | 50-32             | F60-06020101     | 51-66             | T40-04000021     | 20-21             |
| F60-06000003     | 50-33             | F60-06020102     | 51-65             | T40-04000022     | 17-35             |
| F60-06000004     | 50-34             | F60-06020103     | 51-67             | T40-04000023     | 17-30             |
| F60-06000005     | 51-48             | F60-06020200     | 51-69             | T40-04000025     | 18-52             |
| F60-06000006     | 51-46             | F60-06020201     | 51-70             | T40-04000026     | 17-20             |
| F60-06000007     | 51-45             | F60-06030000     | 50-40             | T40-04000027     | 17-17             |
| F60-06000008     | 50-43             | F60-07000000     | 46-1              | T40-04000028     | 18-57             |
| F60-06000009     | 51-44             | F60-07000001     | 46-4              | T40-040000202    | 17-4              |
| F60-06000010     | 51-50             | F60-07000002     | 46-7              | T40-040000203    | 20-1              |
| F60-06000011     | 50-31             | F60-07000003     | 46-2              | T40-040000204    | 20-4              |
| F60-06000101     | 50-30             | F60-07000004     | 46-11             | T40-040000205    | 17-6              |
| F60-06000102     | 50-29             | F60-08000005     | 46-5              | T40-04040001     | 17-11             |
| F60-06000200     | 50-27             | F60-08000300W    | 53-12             | T40-04050004     | 18-45             |
| F60-06000201     | 50-28             | T15-01020003     | 6-49              | T40-04050005     | 18-46             |

零部件名称:

零件目录检索表

PARTS NAME:

PARTS CATALOGUE INDEX

| 零件代号<br>PART NO. | 页码/序号<br>PAGE/NO. | 零件代号<br>PART NO. | 页码/序号<br>PAGE/NO. | 零件代号<br>PART NO. | 页码/序号<br>PAGE/NO. |
|------------------|-------------------|------------------|-------------------|------------------|-------------------|
| T40-04050007     | 18-49             | T85-01010403     | 52-10             |                  |                   |
| T40-04060001     | 18-56             | T85-01010701BW   | 6-52              |                  |                   |
| T40-04060002     | 18-54             | T85-01010702BW   | 6-54              |                  |                   |
| T40-04060003     | 18-55             | T85-01010705BW   | 6-56              |                  |                   |
| T40-04060005     | 18-51             | T85-01020002     | 2-28              |                  |                   |
| T40-04060005-1   |                   | T85-01020003     | 2-29              |                  |                   |
| T40-04060005-2   |                   | T85-01020004     | 2-30              |                  |                   |
| T40-04060005-3   |                   | T85-01020005     | 2-31              |                  |                   |
| T40-04060005-4   |                   | T85-01020006     | 2-38              |                  |                   |
| T40-04060005-5   |                   | T85-01020008     | 2-7               |                  |                   |
| T40-04060005-6   |                   | T85-01020010     | 3-51              |                  |                   |
| T40-04060005-7   |                   | T85-01030002     | 5-12              |                  |                   |
| T40-04070000-13  | 20-18             | T85-01030002-1   | 5-13              |                  |                   |
| T40-04070000-12  |                   | T85-01030003     | 6-44              |                  |                   |
| T40-04070000-11  |                   | T85-01030005     | 5-15              |                  |                   |
| T40-05000028     | 24-5              | T85-01030007     | 5-24              |                  |                   |
| T40-10000001     | 50-17             | T85-01030008     | 6-46              |                  |                   |
|                  |                   | T85-01030009     | 5-38              |                  |                   |
| T5-04000200      | 42-2              | T85-01030010     | 5-36              |                  |                   |
|                  |                   | T85-01030011     | 5-34              |                  |                   |
| T60-00010003     | 15-29             | T85-01030012     | 5-31              |                  |                   |
| T60-01010004     | 52-4              | T85-01030013     | 5-27              |                  |                   |
| T60-01010005     | 52-2              | T85-01030014     | 5-29              |                  |                   |
| T60-01010006     | 52-3              | T85-01030015     | 5-20              |                  |                   |
| T60-01010101     | 52-9              | T85-01030016     | 5-21              |                  |                   |
| T60-01020000     | 52-6              | T85-01030017     | 5-22              |                  |                   |
| T60-01020001D    | 52-5              | T85-01030102     | 5-11              |                  |                   |
| T60-01030001     | 5-7               | T85-01030301     | 5-26              |                  |                   |
| T60-01030002     | 5-14              | T85-01030500     | 5-39              |                  |                   |
| T60-01030003     | 5-16              | T85-03000004     | 12-42             |                  |                   |
| T60-01030101     | 5-5               | T85-04000011     | 17-21             |                  |                   |
| T60-03000300W    | 26-16             | T85-05000022     | 26-17             |                  |                   |
|                  |                   | T85-05000023     | 26-20             |                  |                   |
|                  |                   | T85-05000300     | 40-5              |                  |                   |
|                  |                   | T85-05000301     | 40-9              |                  |                   |
| T85-00000002     | 2-42              | T85-05000302     | 40-7              |                  |                   |
| T85-00000012     | 8-5               | T85-05030002     | 26-10             |                  |                   |
| T85-00000016     | 48-3              | T85-05030003     | 24-33             |                  |                   |
| T85-00000017     | 48-4              | T85-05030200     | 26-4              |                  |                   |
| T85-00000020     | 3-47              | T85-06010002     | 50-39             |                  |                   |
| T85-00010008     | 15-20             | T85-06010009     | 50-37             |                  |                   |
| T85-00010010     | 15-16             | T85-06010204     | 51-75             |                  |                   |
| T85-01010003     | 2-14              | T85-06010205     | 51-74             |                  |                   |
| T85-01010007     | 48-5              | T85-06010403     | 50-14             |                  |                   |
| T85-01010203     | 2-12              | T85-06020015     | 51-47             |                  |                   |
| T85-01010206     | 2-22              | T85-08000100W    | 53-1              |                  |                   |
| T85-01010207     | 2-24              |                  |                   |                  |                   |
| T85-01010208     | 2-25              |                  |                   |                  |                   |
| T85-01010210     | 2-20              |                  |                   |                  |                   |
| T85-01010400     | 52-11             |                  |                   |                  |                   |