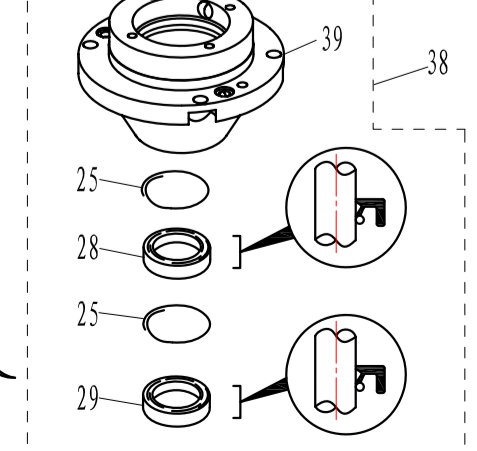
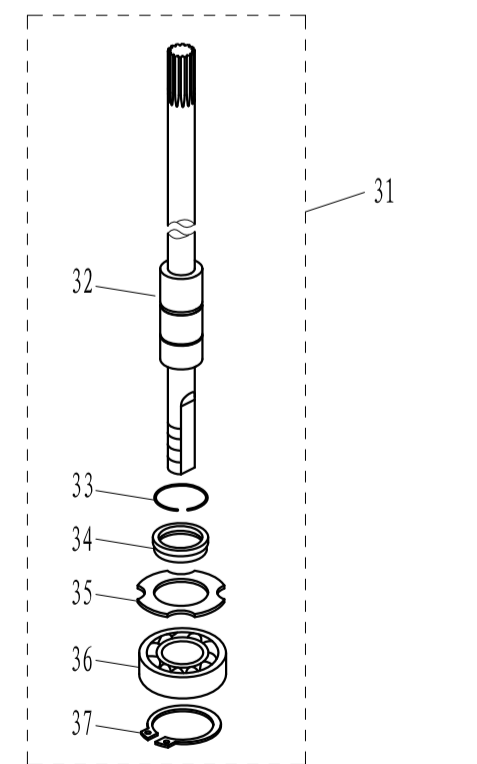
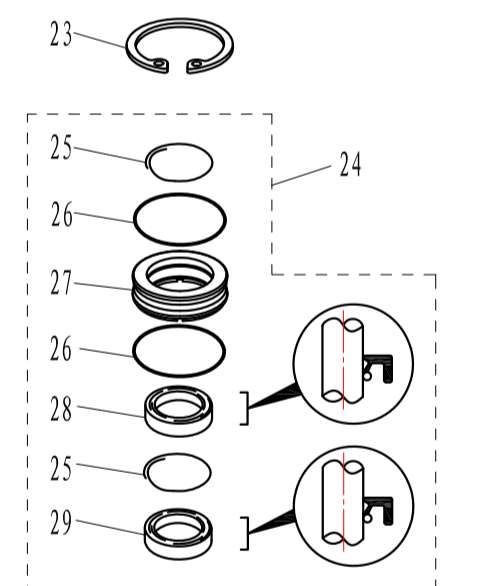
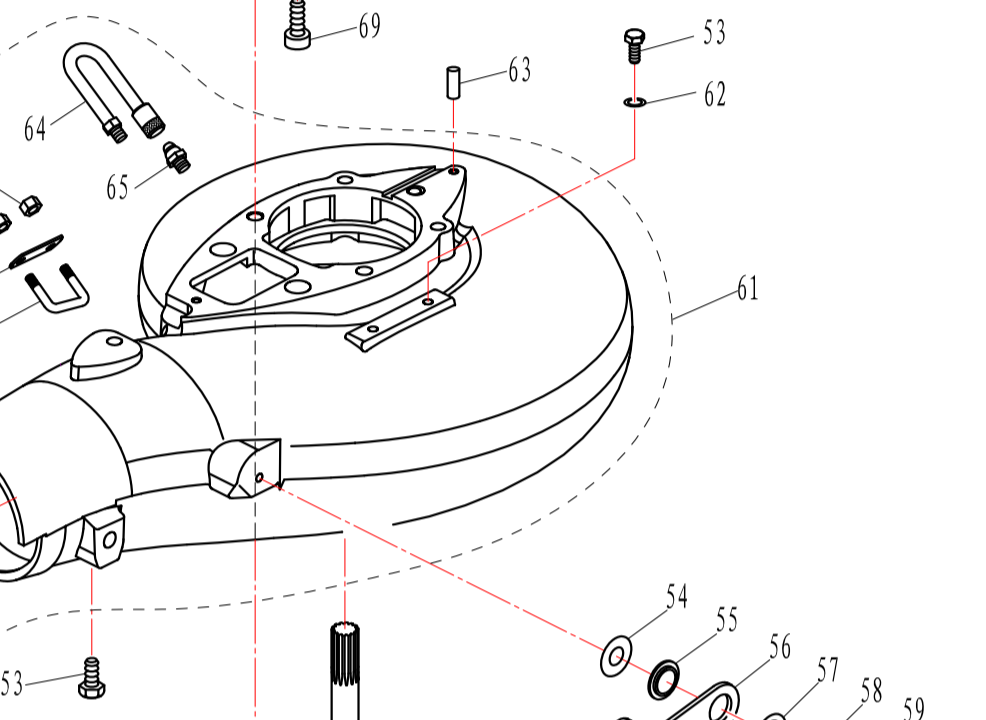
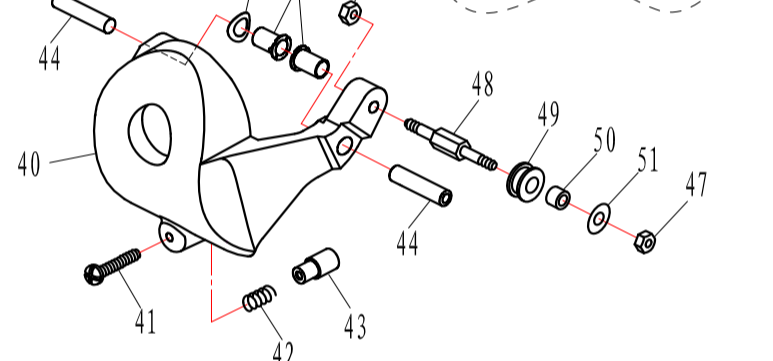
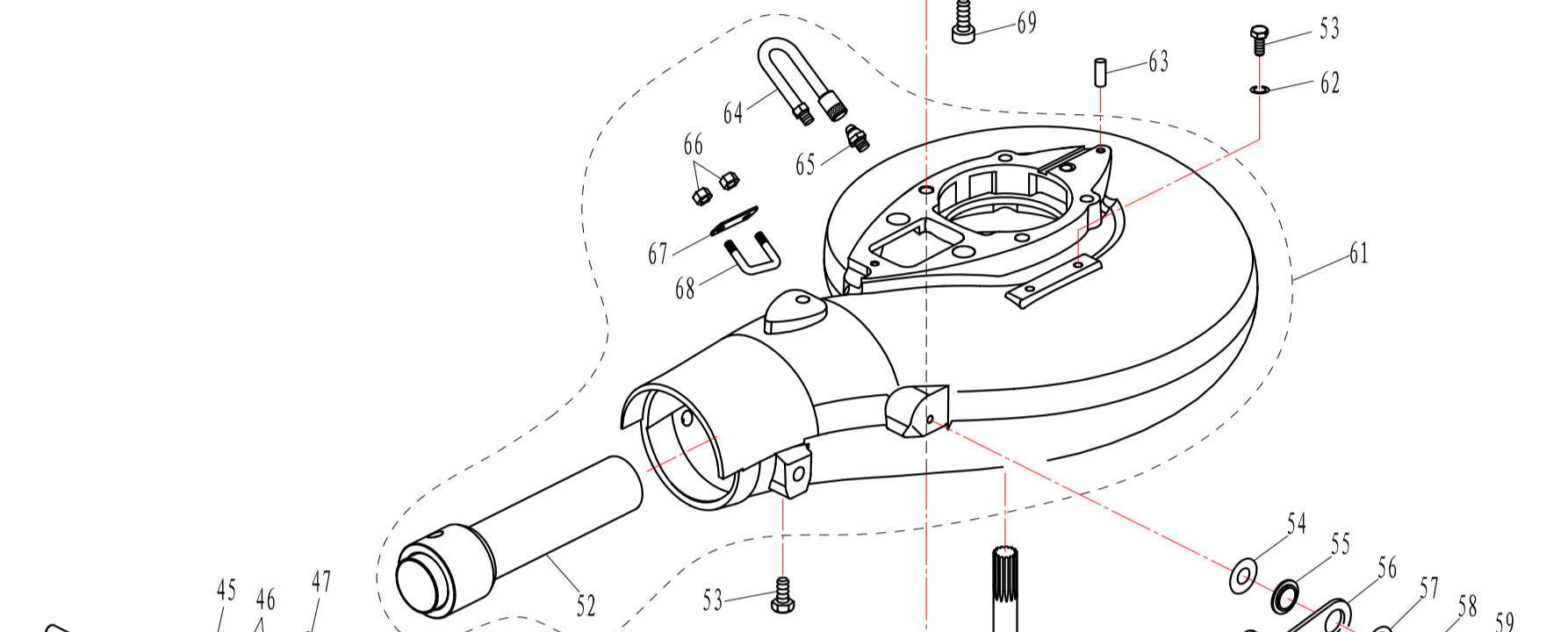
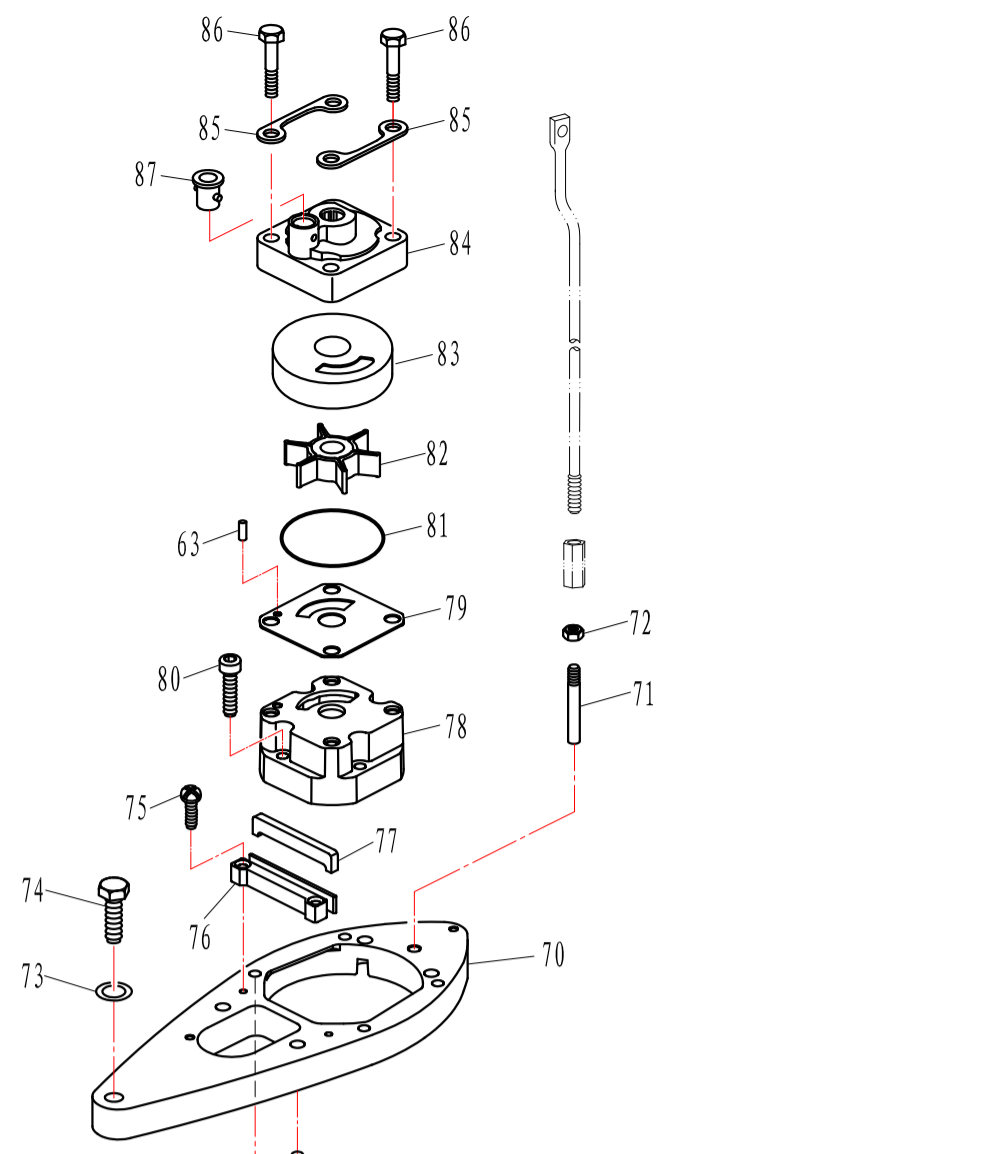
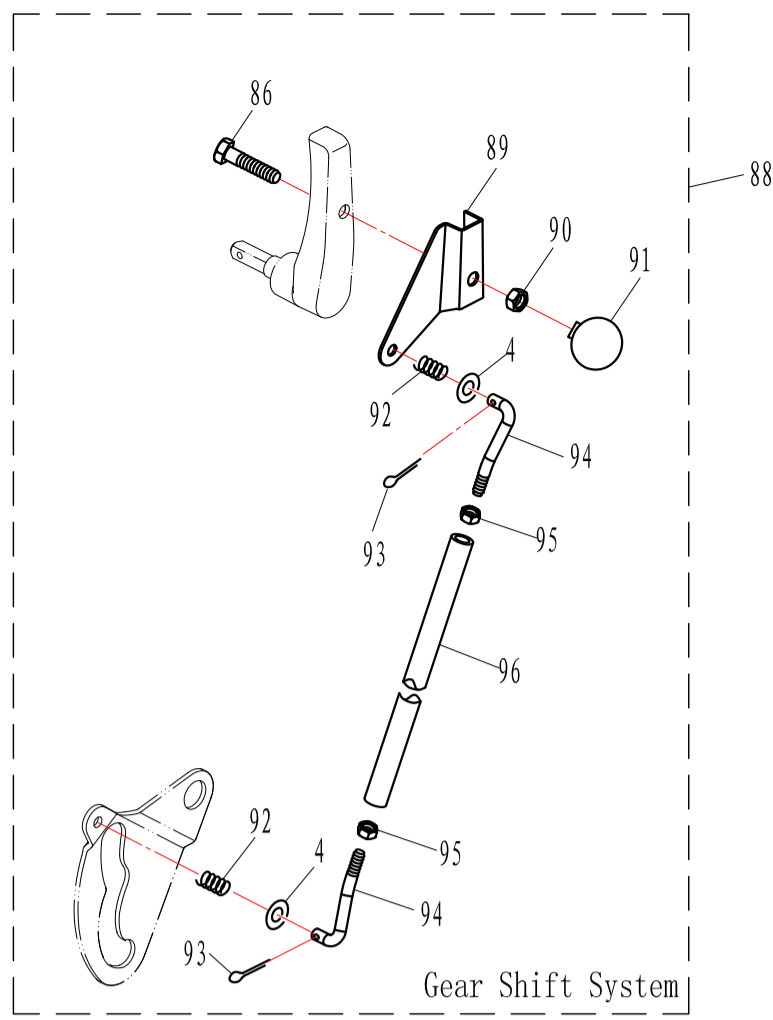


85	F15-0600014	FIXED PLATE, WATER PUMP	2
84	F15-0606001	WATER PUMP HOUSING	1
83	F15-0606002	INNER SHELL, WATER PUMP	1
82	F15-06050000	IMPELLER, WATER PUMP	1
81	JASO F404-96 31-45	O-RING 31-45	1
80	GB/T770.1-M6x25	INNER HEXAGON BOLT M6x25	4
79	TP15-04000024	OUTER PLATE	1
78	TP15-04000025	SEAT, WATER PUMP	1
77	F15-0602005	RUBBER SEAL	1
76	TP15-04000027	WATER GLAND	1
75	GB/T819.2-M5x18	SCREW M5x18	2
74	GB/T5783-M10x1.25x30	BOLT M10x1.25x30	1
73	GB/T97.1-10	WASHER 10	1
72	GB/T6170-M6	NUT M6	1
71	TP20-05000030	SHIFT GUIDE LINK	1
70	TP15-04000026	CONNECTING PLATE, WATER PUMP	1
69	GB/T770.1-M8x25	INNER HEXAGON BOLT M8x25	4
68	TP15-04000103	SCREW	1
67	TP15-04000104	PLATE	1
66	GB/T889.1-M5	LOCKING NUT M5	2
65	JB/T9740.1-M6	FORCE FEED OIL CUP M6	1
64	TP20-05000200	LUBE HOSE ASSY	1
63	F15-0000013	PIN $\phi 4 \times 12$	3
62	F25-05050007	WASHER	2
61	TP15-04000100	JET VOLUTE ASSY	1
60	GB/T5783-M6x25	BOLT M6x25	1
59	TP20-05000011	HEXAGONAL LOCATIONS	1
58	TP20-05000010	SHIM(T=0.12mm)	1
57	TP20-05000009	WASHER, NYLON	1
56	TP20-05000007	PLATE, SHIFT CAM	1
55	TP20-05000008	BUSH, SHIFT CAM	1
54	GB/T5287-6	BIG WASHER 6	1
53	GB/T5783-M6x16	BOLT M6x16	4
52	TP15-04000102	JET TUBE	1
51	GB/T96-6	BIG WASHER 6	1
50	TP20-05000014	BUSH, ROLLER	1
49	TP20-05000013	ROLLER	1
48	TP20-05000012	BOLT, ROLLER	1
47	GB/T889.1-M6	LOCKING NUT M6	2
46	TP20-05000004	BUSH, NYLON	2
45	GB/T860-10	SADDLE WASHER	1
44	TP15-04000006	LIMIT ROD	2
43	TP20-05000002	STOP BLOCK	1
42	TP20-05000003	SPRING, STOP BLOCK	1
41	GB/T818-M5x30	SCREW M5x30	1
40	TP15-04000001	REVERSE GATE	1
39	TP15-04010101	DRIVE SHAFT BEARING CARRIER	1
38	TP15-04010100	BEARING CARRIER ASSY, DRIVE SHAFT	1
37	GB/T894.1-25	CIRCLIP 25	1
36	GB/T292-7205	BALL BEARING (SKF 7205 BEP)	1
35	TP20-05010202	BAFFLE, BEARING	1
34	TP20-05010204	SEAT, BACK PLATE	1
33	GB/T895.2-24	CIRCLIP 24	1
32	TP15-04010201	DRIVE SHAFT	1
31	TP15-04010200	DRIVE SHAFT ASSY	1
30	TP20-05010001	WASHER, OIL SEAL	1
29	TP20-05010104	OIL SEAL 25x38x5.3	2
28	TP20-05010102	OIL SEAL 25x38x6.5	2
27	TP20-05010301	CASING, OIL SEAL	1
26	TP20-05010302	O-RING 48.7x2.65	2
25	TP20-05010103	COLLAR, OIL SEAL	4
24	TP20-05010300	CASING ASSY, OIL SEAL	1
23	GB/T893.1-55	CIRCLIP 55	1
22	F15-06000013	WOODRUFF KEY	1
21	GB/T3452.1- $\phi 7.2 \times 1.9$	O-RING $\phi 7.2 \times 1.9$	3
20	TP15-04010000	DRIVE SHAFT ASSY	1
19	GB/T93-5	SPRING WASHER 5	2
18	GB/T818-M5x18	SCREW M5x18	2
17	GB/T97.1-8	WASHER 8	4
16	GB/T93-8	SPRING WASHER 8	4
15	GB/T5782-M8x50	BOLT M8x50	4
14	TP15-04000015	IMPELLER	1
13	TP20-05000016	KEY, IMPELLER	1
12	TP20-05000017	BUSH, IMPELLER	1
11	TP20-05000020	WASHER, PLASTIC	1
10	TP20-05000018	WASHER, IMPELLER	1
9	TP20-05000019	SHIM(T=0.8mm)	7
8	TP20-05000021	ANTI LOOSING WASHER	1
7	TP20-05000022	NUT	1
6	TP15-04000023	LINER, INTAKE SEAT	1
5	TP15-04000040	INTAKE SEAT ASSY	1
4	GB/T97.1-6	WASHER 6	8
3	GB/T5783-M6x30	BOLT M6x30	6
2	TP15-04000042	GRILL BAR	9
1	TP15-04000043	GRILL RODS	2



**WARNING:**  
Shims should not be used above the impeller on new installations where no wear has occurred unless the blade clearance exceeds 1/32 inch. Insufficient blade clearance will do more harm than good from any performance gains it might provide.

96	TP15-00010001	LINK LEVER, SHIFT	1
95	T36-05000036	NUT M7	2
94	TP20-00010002	JOINT, LINK LEVER	2
93	GB/T91- $\phi 2 \times 12$	COTTER PIN $\phi 2 \times 12$	2
92	TP20-00010003	SPRING	2
91	JB/T727.1-M8x32	KNOB M8x32	1
90	GB/T6170-M8	NUT M8	1
89	TP20-00010004	MOUNTED PLATE, SHIFT HANDLE	1
88	TP15-00010000	SHIFT ASSY	1
87	F15-06060004	SEAL, WATER PIPE	1
86	GB/T5783-M8x35	BOLT M8x35	5

