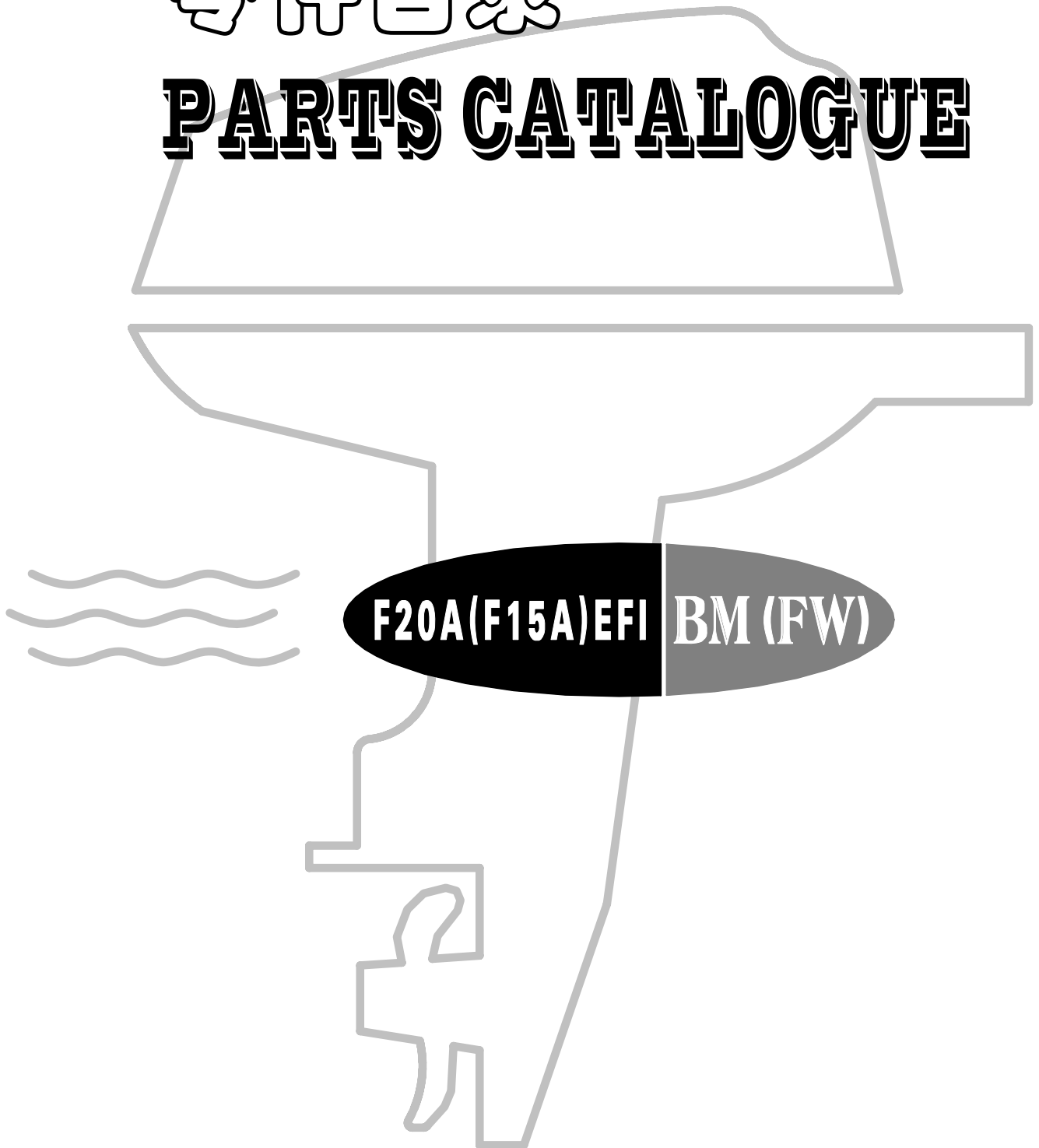


零件目录

**PARTS CATALOGUE**



**F20A(F15A)EFI BM (FW)**

苏州百胜动力机器股份有限公司

SUZHOU PARSUN POWER MACHINE CO., LTD

# 目录

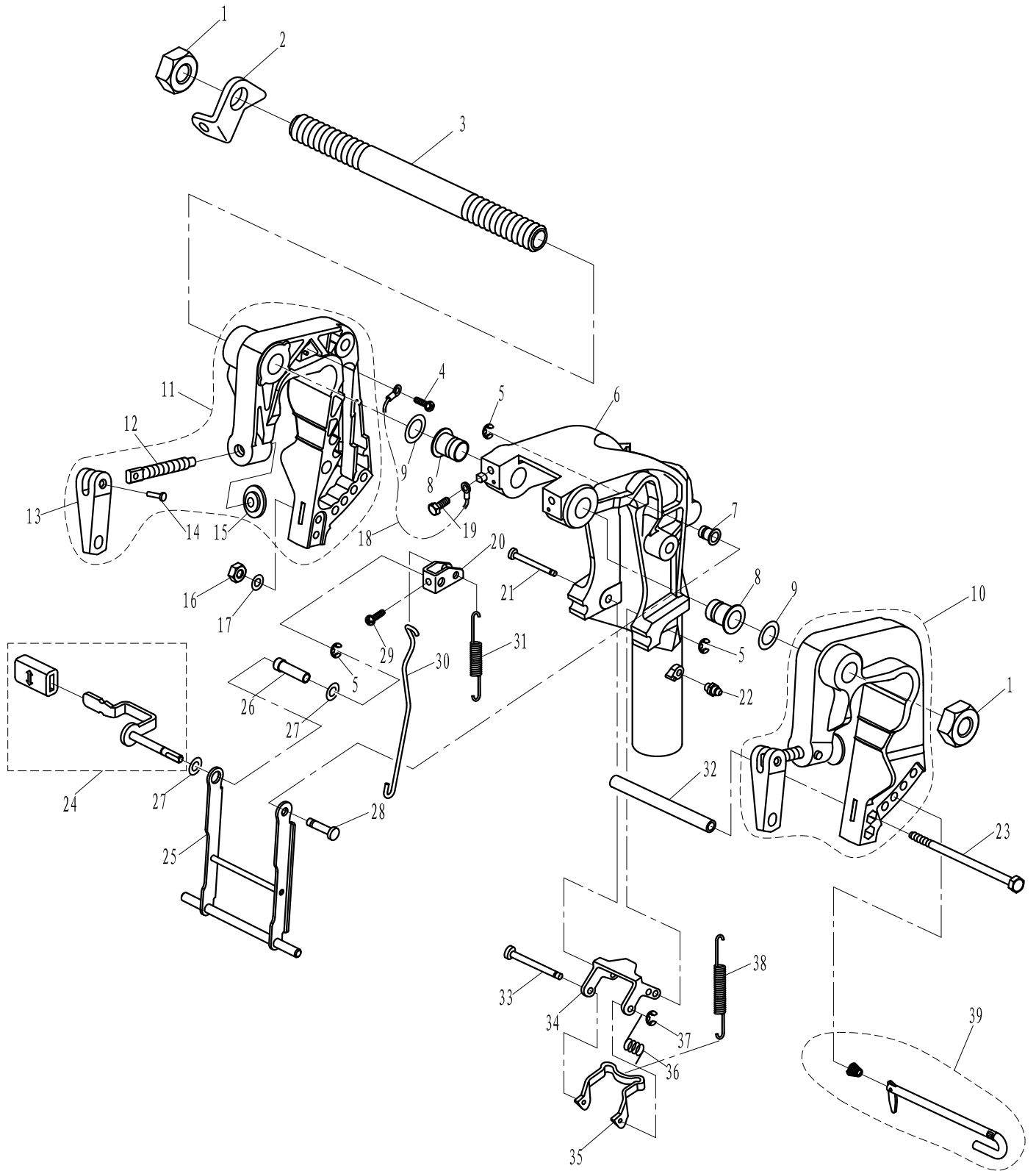
## CONTENTS

托架 1	1~2
BRACKET 1	1~2
托架 2	3~4
BRACKET 2	3~4
操舵系统	5~6
STEERING	5~6
水上装置壳体	7~8
UPPER CASING	7~8
底罩	9~10
BOTTOM COWLING	9~10
控制系统	11~12
CONTROL SYSTEM	11~12
水下装置壳体&驱动系统 1	13~15
LOWER CASING & DRIVE 1	13~15
水下装置壳体&驱动系统 2	16~17
LOWER CASING & DRIVE 2	16~17
电气 1	18~19
ELECTRICAL 1	18~19
电气 2	20~21
ELECTRICAL 2	20~21
进气系统	22
INTAKE	22
气缸头	23~24
CYLINDER HEAD	23~24
曲轴&活塞	25
CRANKSHAFT & PISTON	25
曲轴箱	26~27
CRANKCASE	26~27
凸轮轴	28~29
CAMSHAFT	28~29
阀门	30~31
VALVE	30~31
燃油系统	32~34
FUEL SYSTEM	32~34
起动机组件	35~36
STARTER ASSY	35~36
顶罩组件	37
TOP COWLING ASSY	37
电动燃油泵组件	38~39
ELECTRIC OIL PUMP ASSY	38~39

外燃油箱	40
OUTER FUEL TANK	40
操纵盒组件	41 ~ 43
CONTROL BOX ASSY	41 ~ 43
气缸头总成(修理件)	44 ~ 45
CYLINDER HEAD ASSY(REPATE KIT)	44 ~ 45
发动机头总成(修理件)	46 ~ 47
ENGINE ASSY (REPARE KIT)	46 ~ 47
附录1(修理件)	48 ~ 49
APPENDIX I (REPARE KIT)	48 ~ 49
附录2(修理件)	50 ~ 51
APPENDIX II (REPARE KIT)	50 ~ 51
零件目录检索表	I ~ IV
PARTS CATALOGUE INDEX	I ~ IV

零部件名称: 托架 1

PARTS NAME: BRACKET 1

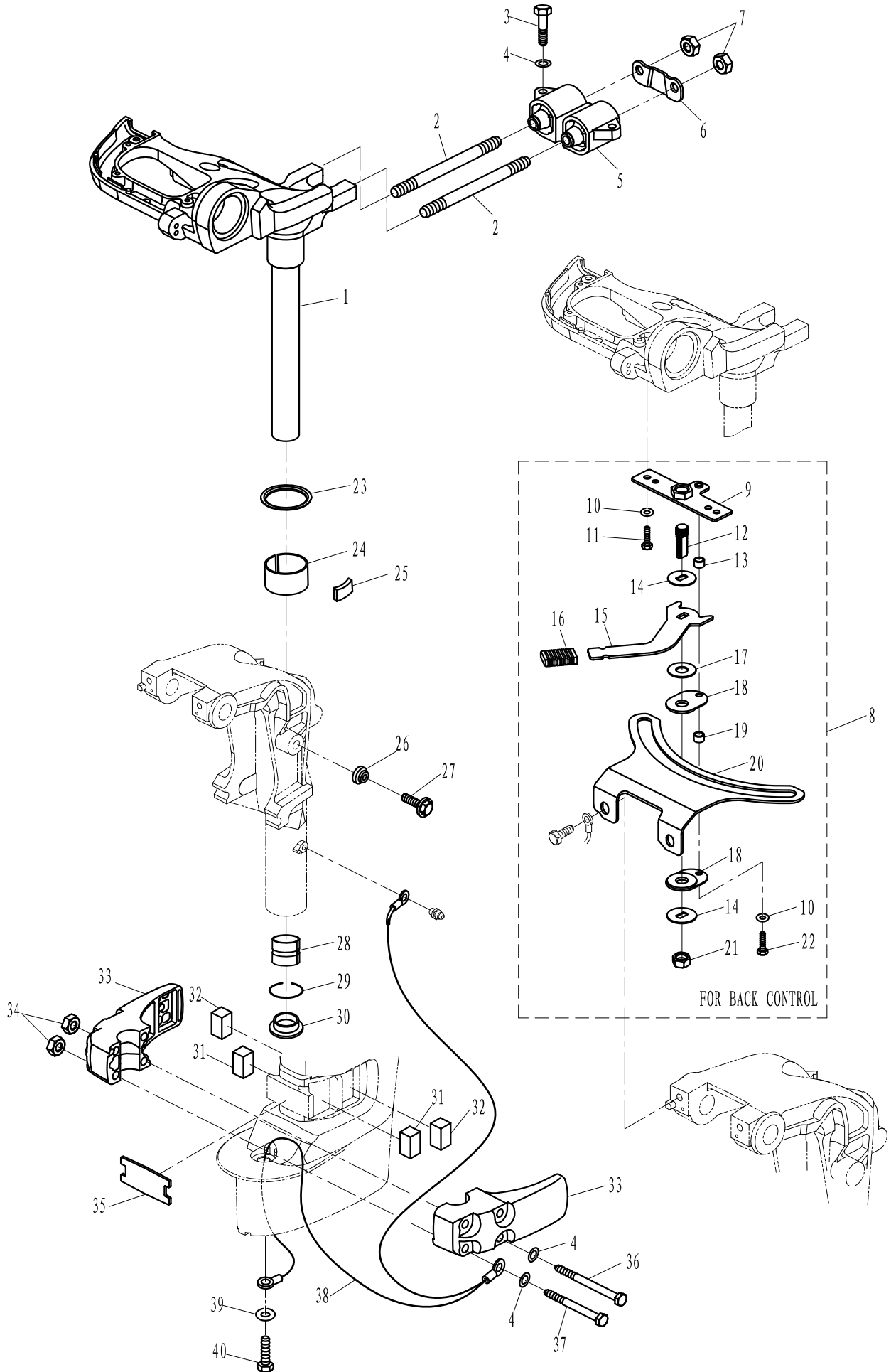






零部件名称: 托架 2

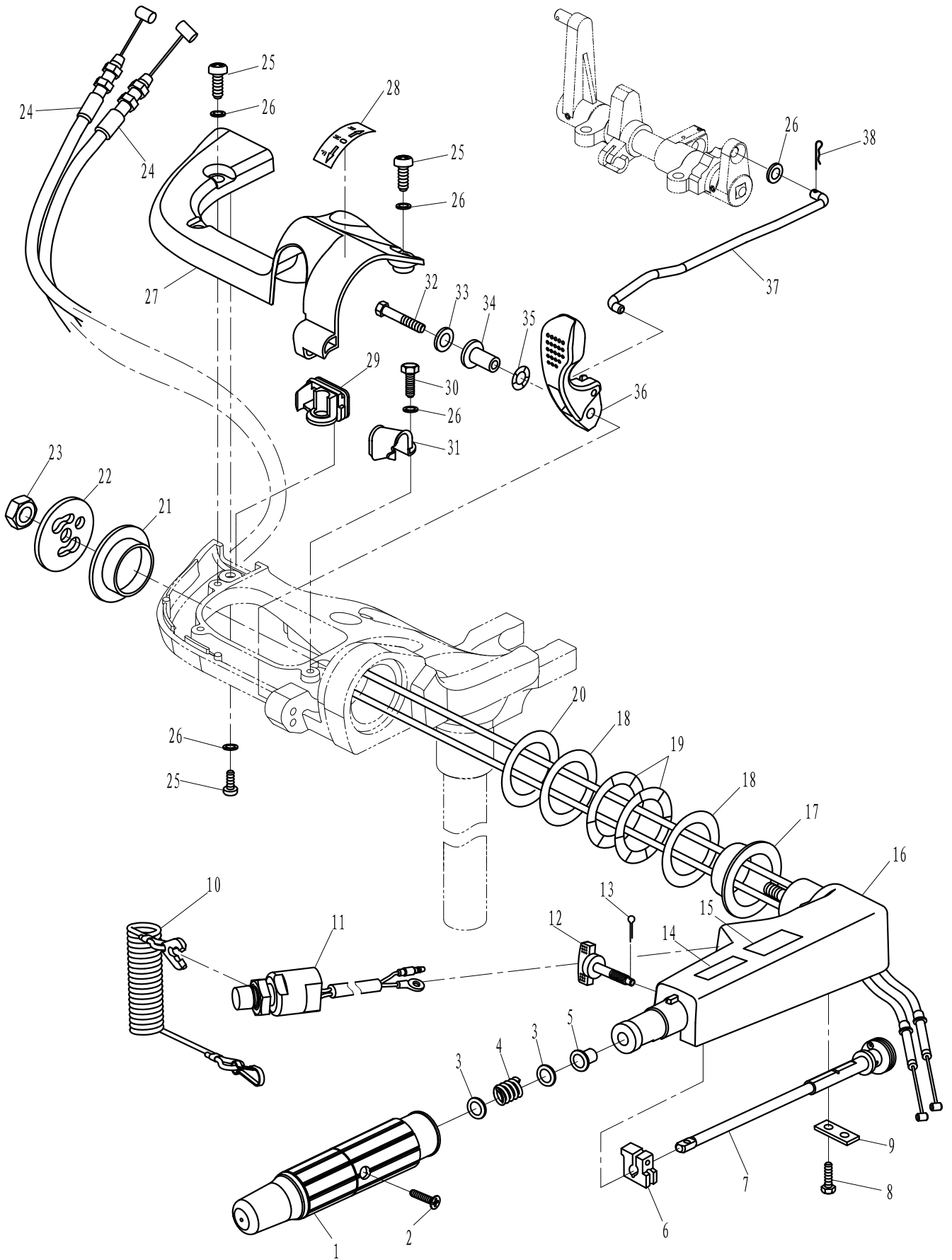
PARTS NAME: BRACKET 2





零部件名称: 操纵系统

PARTS NAME: STEERING



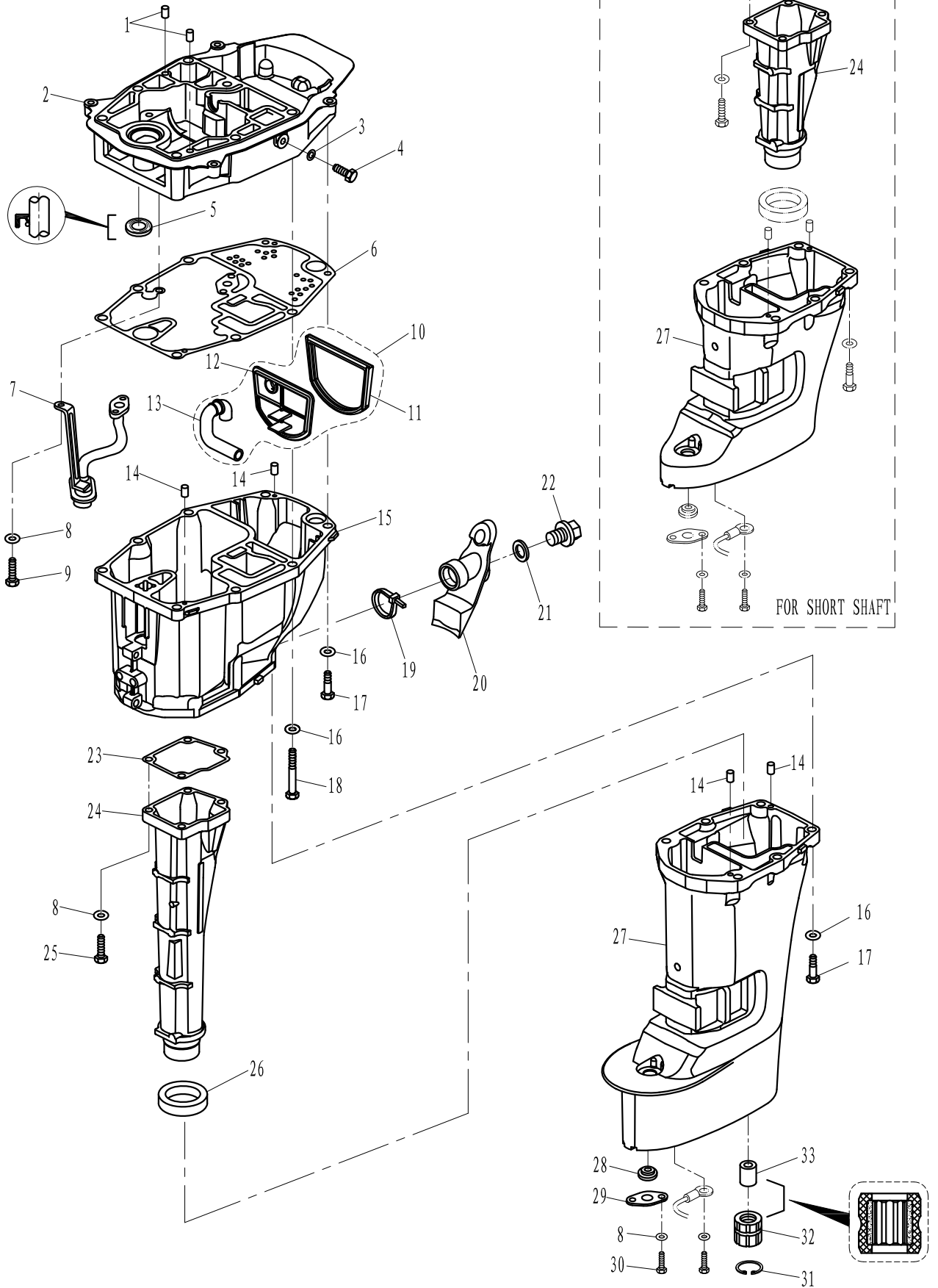


零部件名称:

水上装置壳体

PARTS NAME:

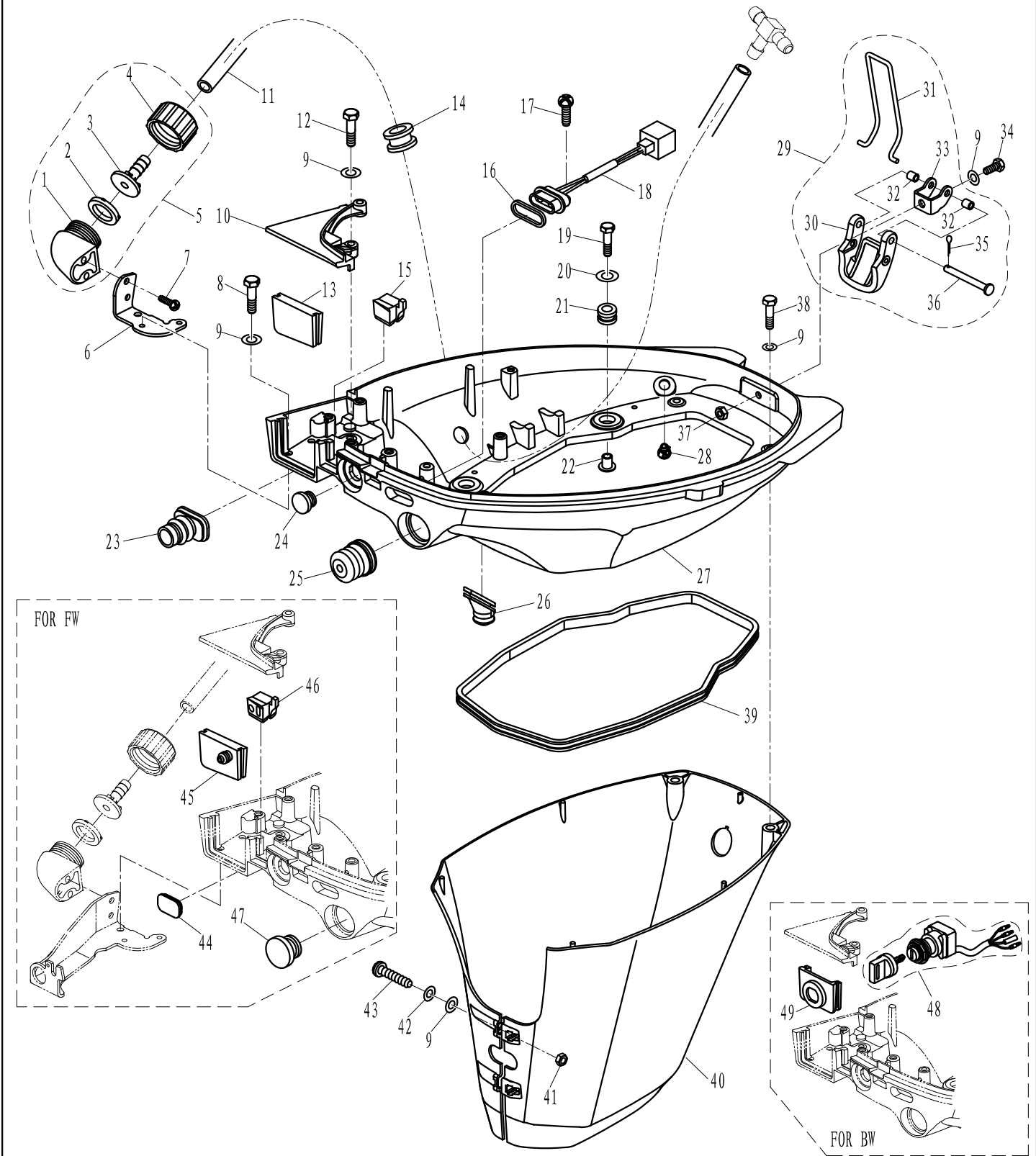
UPPER CASING





零部件名称: 底罩

PARTS NAME: BOTTOM COWLING



SN. 参照号码	PART NO. 零件编号	DESCRIPTION 零件名称 (中文)	DESCRIPTION 零件名称 (英文)	QTY 数量					REMARKS 备注
1	F25-03000101W	堵塞本体	BODY, JAM	1					
2	F25-03000102W	堵塞橡胶圈	SEAL, RUBBER	1					
3	F25-03000103W	堵塞接头	LINK, JAM	1					
4	F25-03000104W	堵塞螺母	NUT, JAM	1					
5	F15-03000100W	堵塞组件	JAM ASSY	1					
6	F20-03000010	堵塞支架	SUPPORT PLATE, JAM	1					



零部件名称:

底罩

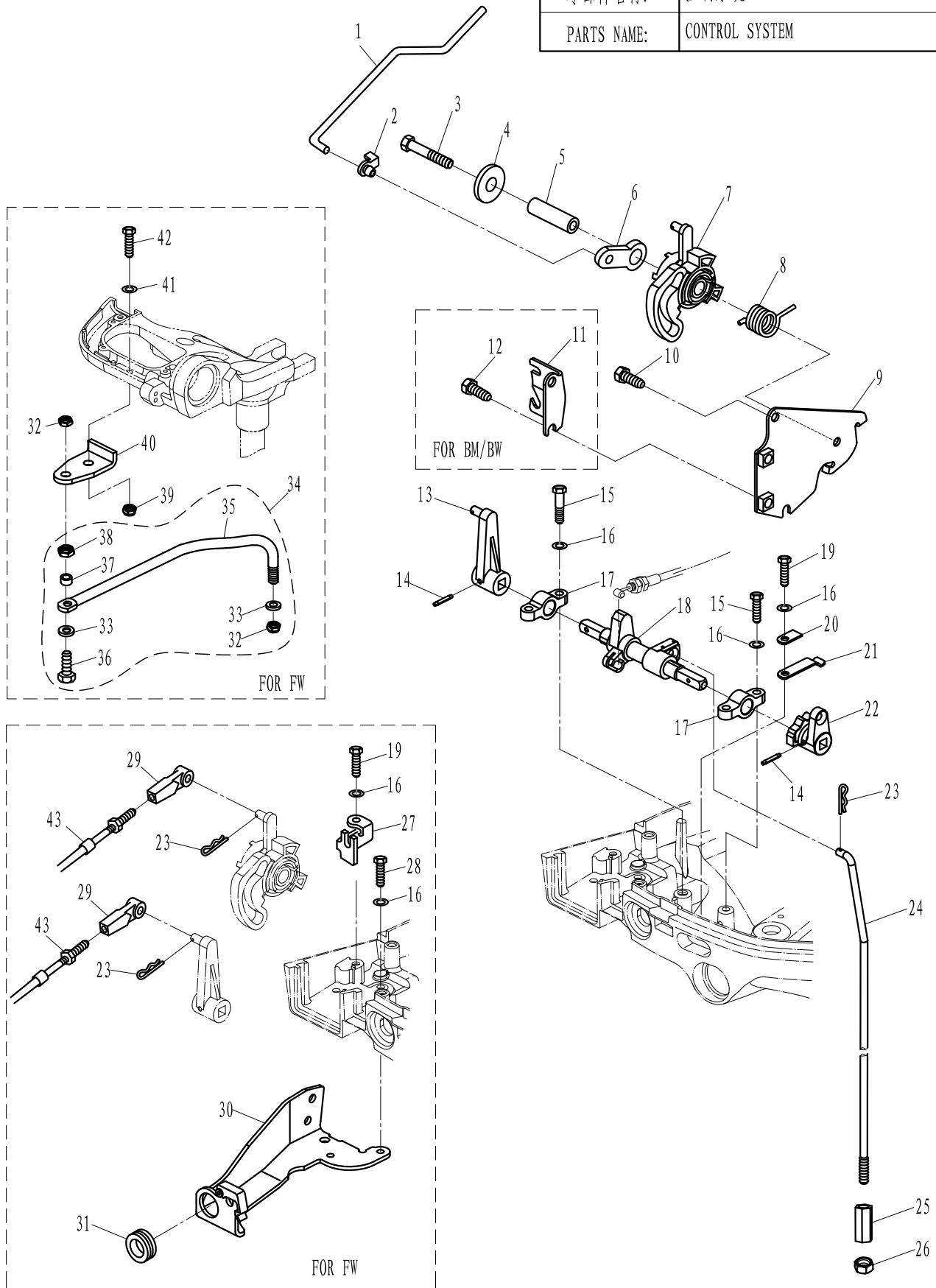
PARTS NAME:

BOTTOM COWLING

SN. 参照号码	PART NO. 零件编号	DESCRIPTION 零件名称(中文)	DESCRIPTION 零件名称(英文)	QTY 数量					REMARKS 备注
7	GB/T84.5-ST5.5x19	十字槽盘头自攻螺钉ST5.5x19	SCREW ST5.5x19	2					
8	GB/T5783-M6x8	六角螺栓M6x8	BOLT M6x8	2					
9	GB/T97.1-6	平垫圈6	WASHER 6	9					
10	F20-03000007	底罩小盖板	COVER, COWLING	1					
11	F20-03000011	水管 $\phi 6x\phi 11x680$	PIPE $\phi 6x\phi 11x680$	1					
12	GB/T5783-M6x30	六角螺栓M6x30	BOLT M6x30	2					
13	F20-03000005	方形橡胶密封条	SEAL, SQUARE	1					
14	F20-03000004	水管橡胶套	SEAL, RUBBER	1					
15	F20-03000006	异形橡胶闷头	RUBBER PLUG	1					
16	F20-03000101	指示灯密封件	SEAL	1					
17	GB/T818-M6x16	十字槽盘头螺钉M6x16	SCREW M6x16	1					
18	F40-03000300EFI	机油指示灯组件	PILOT LIGHT ASSY	1					
19	GB/T5783-M6x30	六角螺栓M6x30	BOLT M6x30	4					
20	F25-00000004	特大垫圈6	WASHER	4					
21	F25-03000006	减震圈	DAMPER	4					
22	F25-03000007	减震圈衬管	BUSH, DAMPER	4					
23	F20-03000003	波纹护套	JACKET	1					
24	F20-03000013	圆形橡胶闷头	RUBBER PLUG	1					
25	F15-05000016	波纹橡胶套	JACKET, RUBBER	1					
26	F20-03000008	变档连接杆护套	JACKET, GEAR SHIFT LINK ROD	1					
27	F20-03000001EFI	底罩	BOTTOM COWLING	1					
28	F15-05000009	塑料出水嘴	WATER NIPPLE, PLASTIC	1					
29	F20-03020000	顶罩锁紧钩组件	LOCKING HOOK ASSY, TOP COWLING	1					
30	F20-03020002	锁紧钩	BODY, LOCKING HOOK	1					
31	F20-03020004	锁紧钩钢丝	STEEL WIRE, LOCKING HOOK	1					
32	F20-03020005	锁紧钩垫管	BUSH, LOCKING HOOK	2					
33	F20-03020001	锁紧钩支座	SEAT, LOCKING HOOK	1					
34	GB/T5783-M6x12	六角螺栓M6x12	BOLT M6x12	1					
35	GB/T91- $\phi 1.6x12$	开口销 $\phi 1.6x12$	COTTER PIN $\phi 1.6x12$	1					
36	F20-03020003	锁紧钩销轴	SHAFT, LOCKING HOOK	1					
37	GB/T889.1-M6	非金属嵌件六角锁紧螺母M6	LOCKING NUT M6	1					
38	GB/T5783-M6x20	六角螺栓M6x20	BOLT M6x20	2					
39	F20-03000002	底罩密封条	SEAL	1					
40	F20-00000011	水上装置罩壳	COVER, UPPER CASING	1					
41	GB/T6170-M6	六角螺母M6	NUT M6	2					
42	GB/T93-6	弹簧垫圈6	SPRING WASHER 6	2					
43	GB/T818-M6x30	十字槽盘头螺钉M6x30	SCREW M6x30	2					
44	F20-03000007W	方形橡胶堵头	RUBBER PLUG, SQUARE	1					FOR FW
45	F20-03000005W	方形橡胶密封条	RUBBER SEAL, SQUARE	1					
46	F20-03000006W	异形橡胶闷头	RUBBER PLUG	1					
47	F25-03000024W	圆形橡胶闷头B	JAM "B"	1					FOR BW
48	F20-03000400EFI	起动开关	START SWITCH	1					
49	F20-03000008BW	起动开关固定板	SEAT, START SWITCH	1					

零部件名称: 控制系统

PARTS NAME: CONTROL SYSTEM

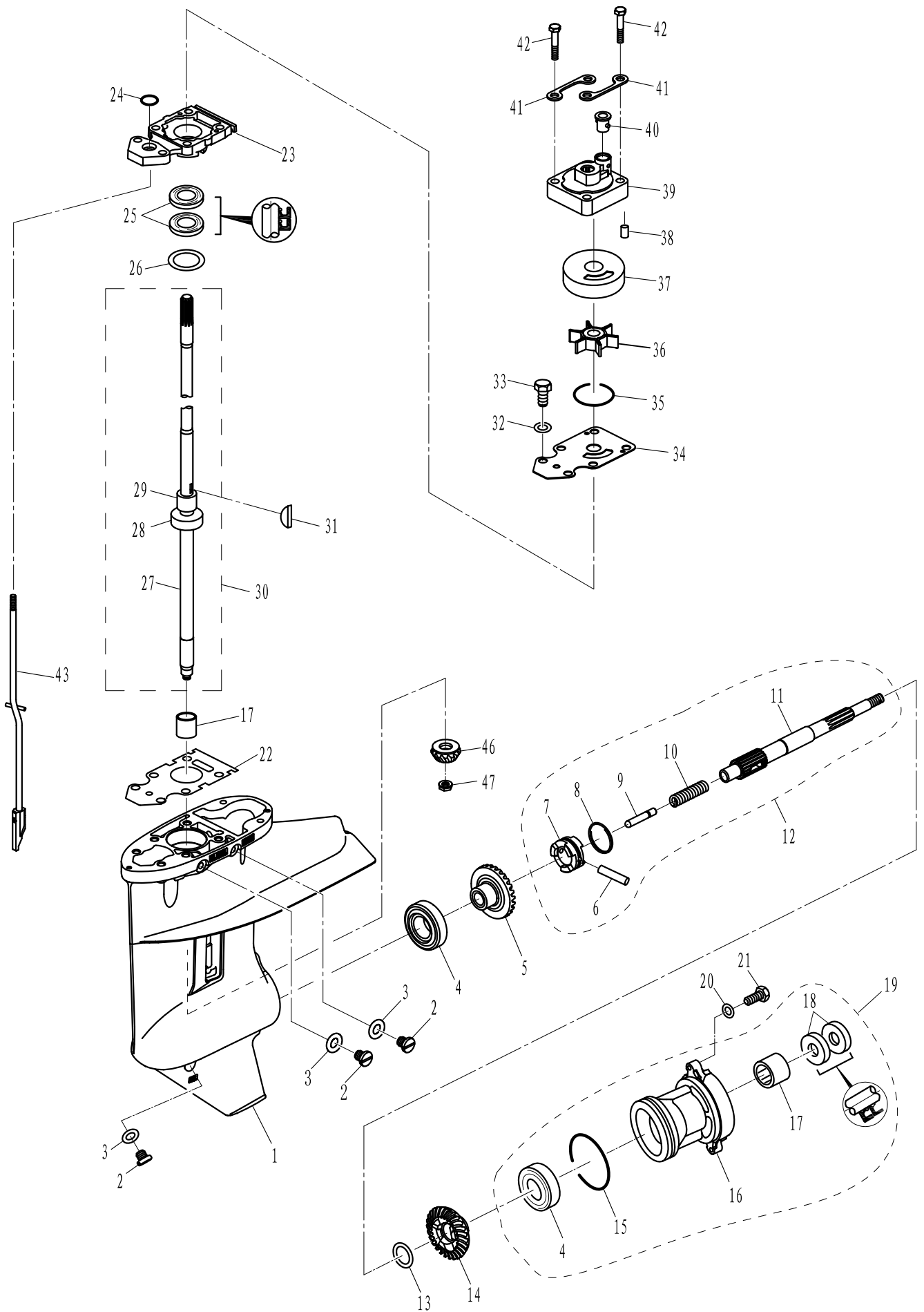


SN. 参照号码	PART NO. 零件编号	DESCRIPTION 零件名称 (中文)	DESCRIPTION 零件名称 (英文)	QTY 数量				REMARKS 备注
1	F20-05000045EF1	油门连杆	LINK ROD	1				
2	F15-07000016	油门控制连杆接头	LINK	1				
3	GB/T5782-M6x55	六角螺栓M6x55	BOLT M6x55	1				
4	GB/T96-6	大垫圈6	BIG WASHER 6	1				
5	F15-07000012	油门执行器衬管	BUSH	1				



零部件名称: 水下装置壳体 & 驱动系统 1

PARTS NAME: LOWER CASING & DRIVE 1



零部件名称:

水下装置壳体 &amp; 驱动系统 1

PARTS NAME:

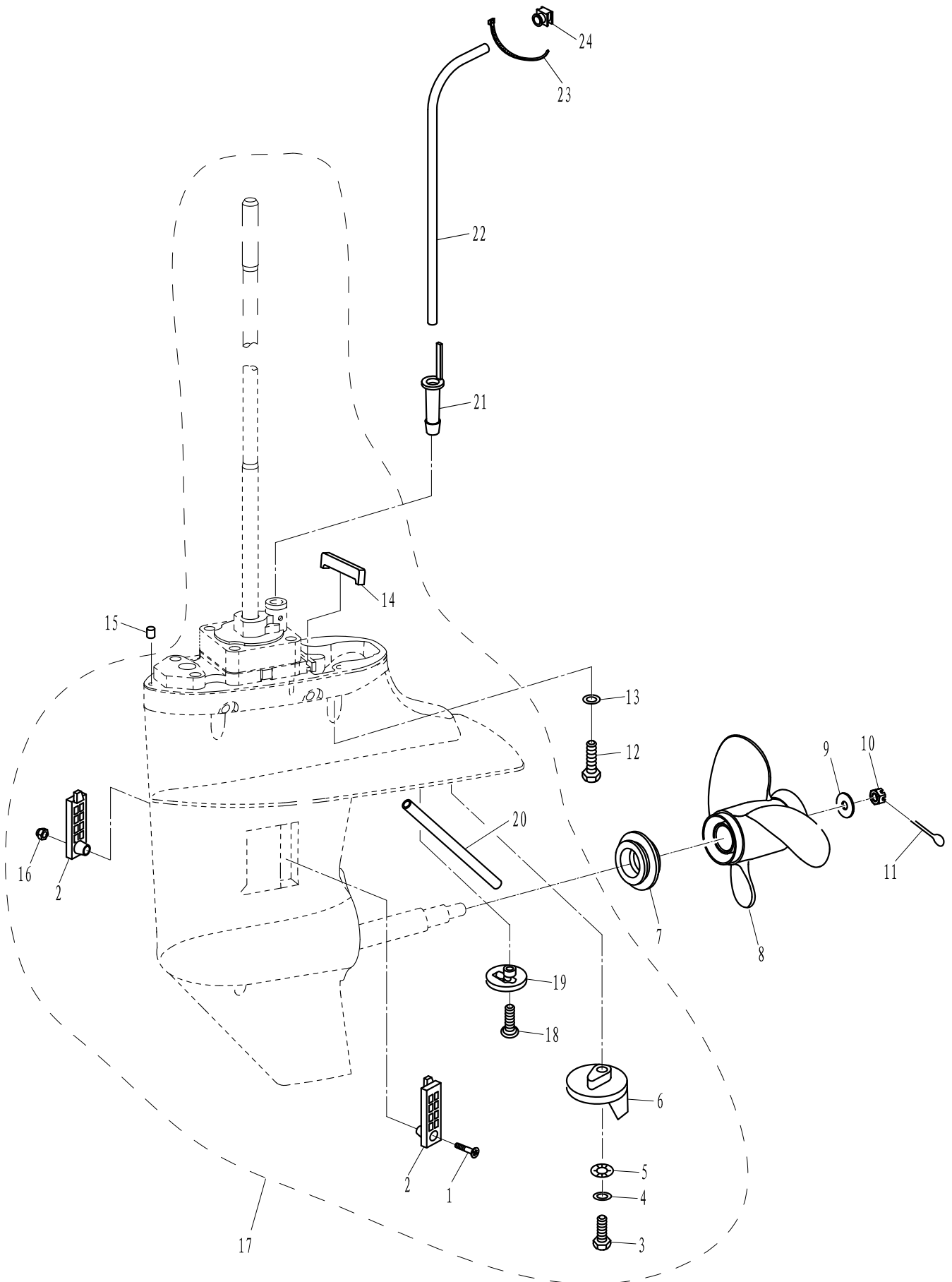
LOWER CASING &amp; DRIVE 1

SN. 参照号码	PART NO. 零件编号	DESCRIPTION 零件名称 (中文)	DESCRIPTION 零件名称 (英文)	QTY 数量					REMARKS 备注
1	F20-04000001E	水下装置壳体	LOWER CASING	1					
2	F4-03000023	注油孔螺塞	PLUG, OIL HOSE	3					
3	F4-03000024	注油孔螺塞垫圈	GASKET	3					
4	GB/T276-6205	深沟球轴承 6205	BEARING 6205	2					
5	F20-04000100E	正档齿轮组件	GEAR, FORWARD	1					
6	F15-06070004	离合器销	PIN, CLUTCH	1					
7	F20-04050002E	爪形离合器	CLUTCH, DOG	1					
8	F15-06070005	离合器环	RING, CLUTCH	1					
9	F15-06070006	变档柱塞	PLUNGER, SHIFT	1					
10	F15-06070002	离合器弹簧	SPRING, CLUTCH	1					
11	F20-04050001E	螺旋桨轴	SHAFT, PROPELLER	1					
12	F20-04050000E	螺旋桨轴组件	SHAFT, PROPELLER ASSY	1					
13	F15-06070007	倒档齿轮垫圈	WASHER, REVERSE GEAR	1					
14	F20-04060003E	倒档齿轮	GEAR, REVERSE	1					
15	F20-04060002E	水下壳体盖O型圈 60.2x2.4	O-RING 60.2x2.4	1					
16	F20-04060001E	水下装置壳体盖	COVER, LOWER CASING	1					
17	IKO TA1720	滚针轴承 TA1720	BEARING	2					
18	F15-06080004	螺旋桨轴油封17x30x6	OIL SEAL	2					
19	F20-04060000E	水上装置壳体盖组件	COVER ASSY, LOWER CASING	1					
20	GB/T97.1-6	平垫圈 6	WASHER 6	2					
21	GB/T5783-M6x20	六角螺栓 M6x20	BOLT M6x20	2					
22	F20-04000004E	驱动轴座密封垫	WASHER	1					
23	F20-04010001E	驱动轴座	BASE, DRIVE SHAFT	1					
24	F15-06020004	O 型圈	O-RING	1					
25	F15-06020003	驱动轴油封 20x30x6	OIL SEAL, DRIVE SHAFT	2					
26	F20-04000005E-1	填隙片 (t: 0.10毫米)	SHIM (t: 0.10mm)						
	F20-04000005E-2	填隙片 (t: 0.15毫米)	SHIM (t: 0.15mm)						
	F20-04000005E-3	填隙片 (t: 0.30毫米)	SHIM (t: 0.30mm)						
	F20-04000005E-4	填隙片 (t: 0.50毫米)	SHIM (t: 0.50mm)						
27	F20-04030001EL	驱动轴 (长轴)	DRIVE SHAFT	1					L
	F20-04030001ES	驱动轴 (短轴)	DRIVE SHAFT						S
28	GB/T276-6302	深沟球轴承 6302	BEARING 6205	1					
29	F15-06040002	驱动轴轴套	DRIVE SHAFT SLEEVE	1					
30	F20-04030000EL	驱动轴组件 (长轴)	DRIVE SHAFT ASSY	1					L
	F20-04030000ES	驱动轴组件 (短轴)	DRIVE SHAFT ASSY						S
31	F15-06000013	半圆键	KEY, WOODRUFF	1					
32	GB/T97.1-8	平垫圈 8	WASHER 8	2					
33	GB/T5783-M8x25	六角螺栓 M8x25	BOLT M8x25	2					
34	F20-04000002	外挡板	OUTER PLATE	1					
35	JASO F404-31-045	水泵壳O型密封圈31-045	O-RING	1					
36	F15-06050000	水泵叶轮组件	IMPELLER	1					
37	F15-06060002	水泵内壳	INNER SHELL, WATER PUMP	1					
38	F15-00000013	定位销 $\phi 4 \times 12$	PIN, DOWEL	2					



零部件名称: 水下装置壳体 & 驱动系统 2

PARTS NAME: LOWER CASING & DRIVE 2

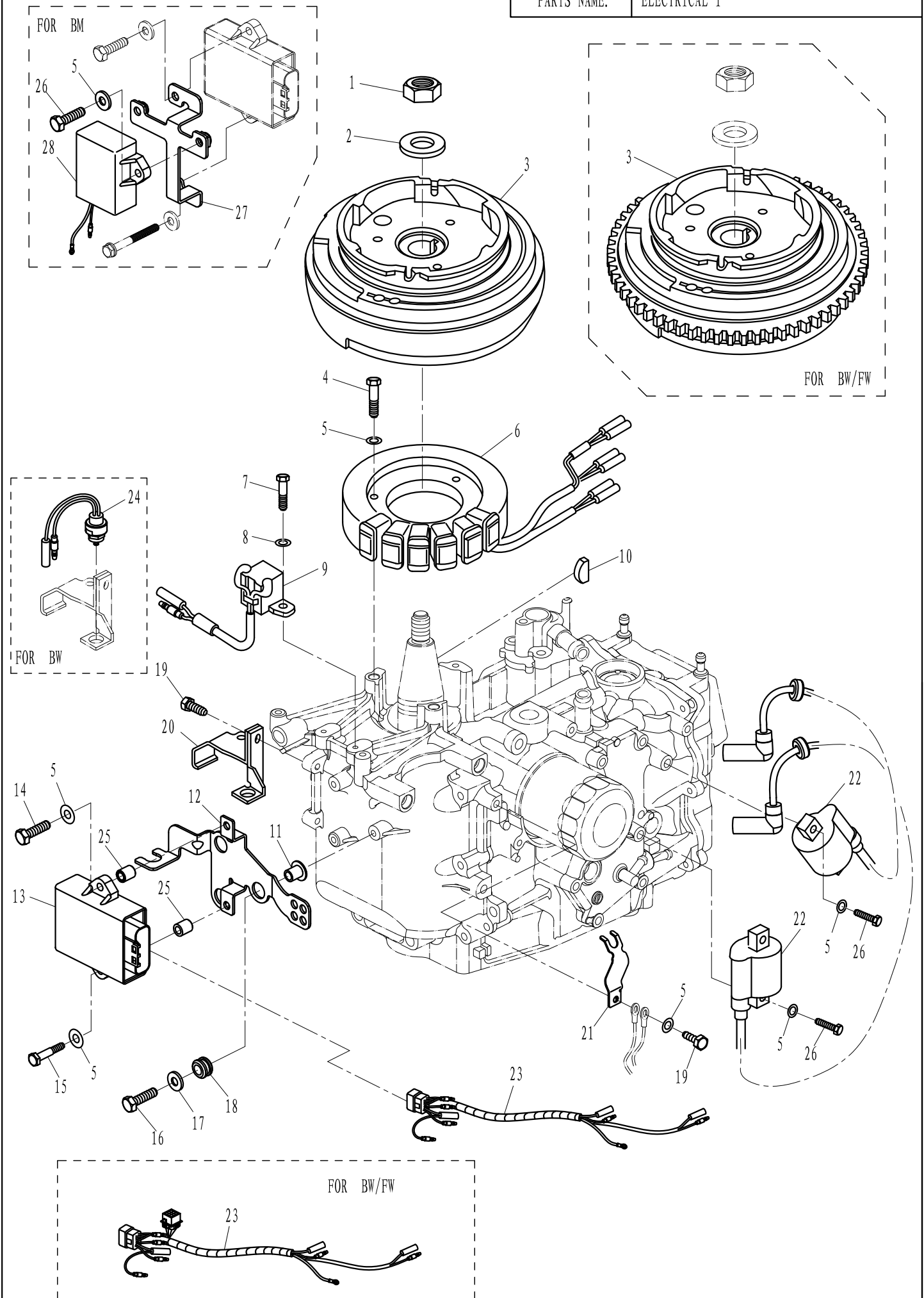






零部件名称: 电气 1

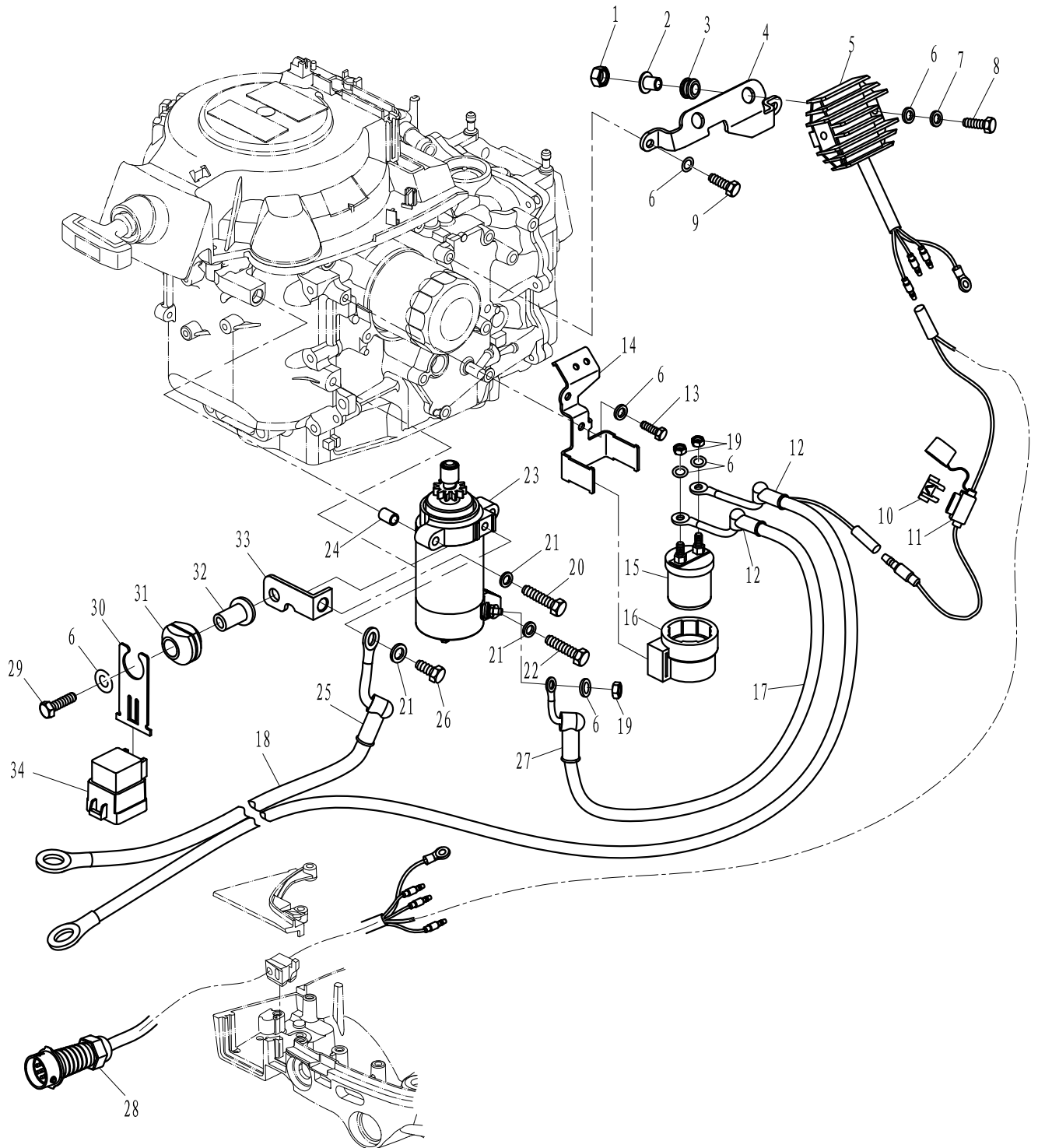
PARTS NAME: ELECTRICAL 1





零部件名称: 电气 2

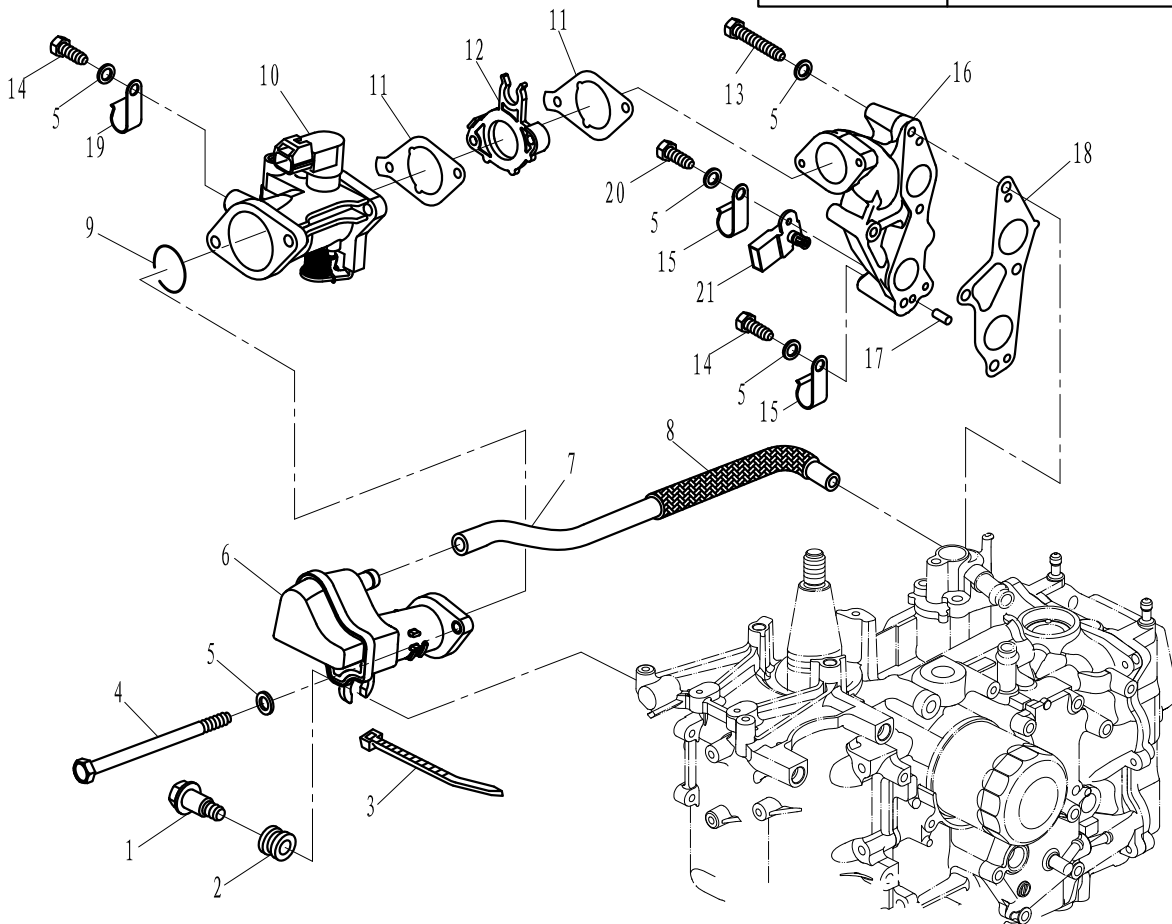
PARTS NAME: ELECTRICAL 2





零部件名称: 进气系统

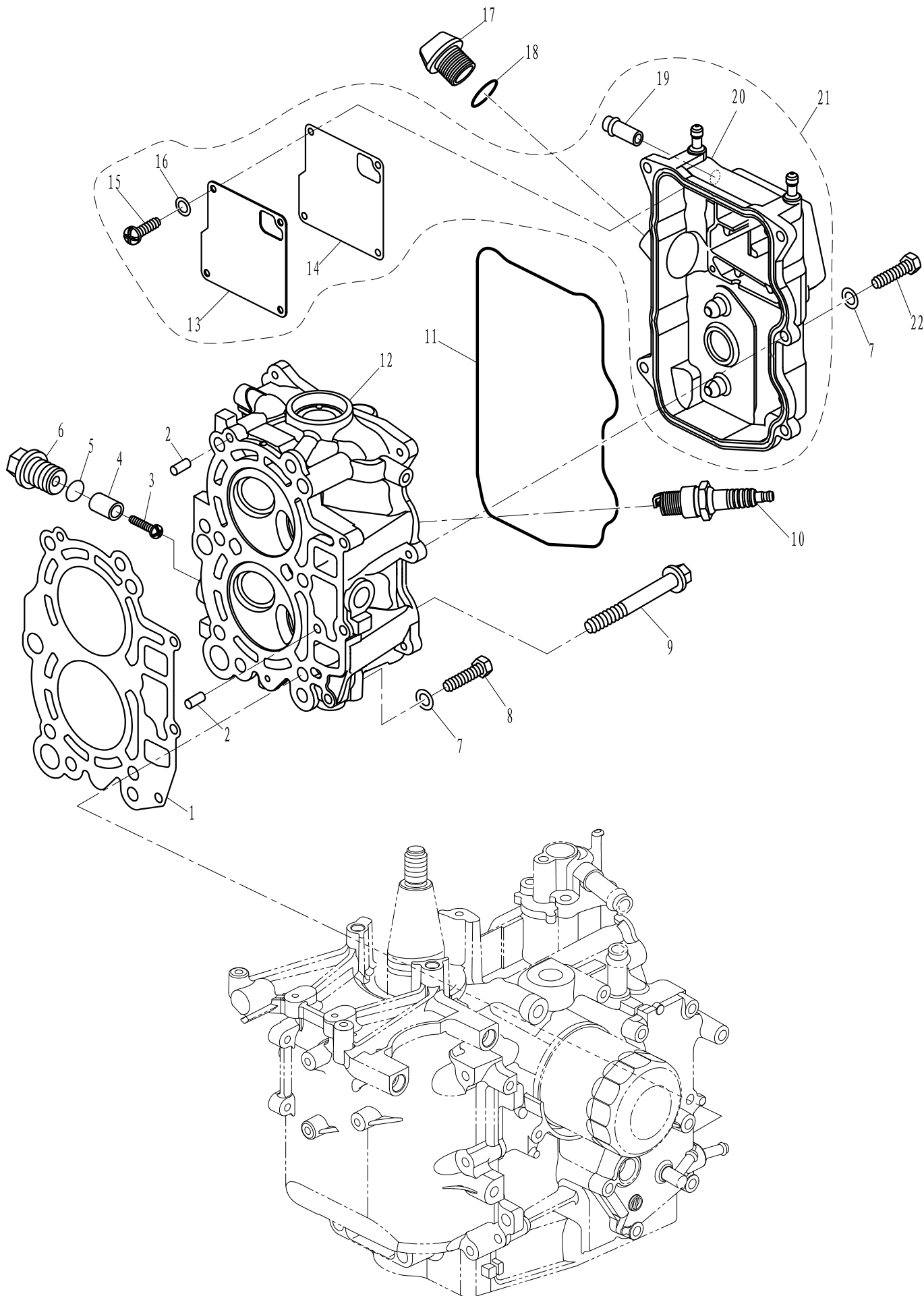
PARTS NAME: INTAKE



SN. 参照号码	PART NO. 零件编号	DESCRIPTION 零件名称(中文)	DESCRIPTION 零件名称(英文)	QTY 数量					REMARKS 备注
1	F20-05000012	进气消音器螺钉	BOLT, INTAKE SILENCER	1					
2	F20-05000011	进气消声器减震圈	DAMPER, INTAKE SILENCER	1					
3	HT4. 2x200	尼龙扎带4. 2x200	CABLE TIES 4. 2x200	1					
4	GB/T5782-M6x100	六角螺栓M6x100	BOLT M6x100	2					
5	GB/T97. 1-6	平垫圈6	WASHER 6	8					
6	F20-05000800EFI	进气消音器组件	INTAKE SILENCER ASSY	1					
7	F20-05000031	呼吸器橡胶管	PIPE, RUBBER	1					
8	F20-05000032	呼吸器橡胶管护套	JACKET, PIPE	1					
9	GB/T3452. 1- $\phi$ 35x $\phi$ 2	O型圈 $\phi$ 35x $\phi$ 2	O-RING $\phi$ 35x $\phi$ 2	1					
10	F20-05001100EFI	节气门体	THROTTLE ASSY	1					
11	F20-05000008	化油器密封垫	GASKET, CARBURETOR	2					
12	F20-05000009	化油器垫块	GASKET	1					
13	GB/T5783-M6x55	六角螺栓M6x55	BOLT M6x55	4					
14	GB/T5783-M6x12	六角螺栓M6x12	BOLT M6x12	2					
15	T36-04000023	线卡	CLAMP	2					
16	F20-05000007EFI	进气歧管	MANIFOLD, INTAKE	1					
17	F25-05050016	从动轮定位销	PIN	2					
18	F20-05000006	进气歧管密封垫	GASKET, INTAKE MANIFOLD	1					
19	F40-05000003	线卡	CLAMP	1					
20	GB/T5783-M6x16	六角螺栓M6x16	BOLT M6x16	1					
21	F20-05000039EFI	进气温度压力传感器	MAT/MAP SENSOR	1					

零部件名称: 气缸头

PARTS NAME: CYLINDER HEAD



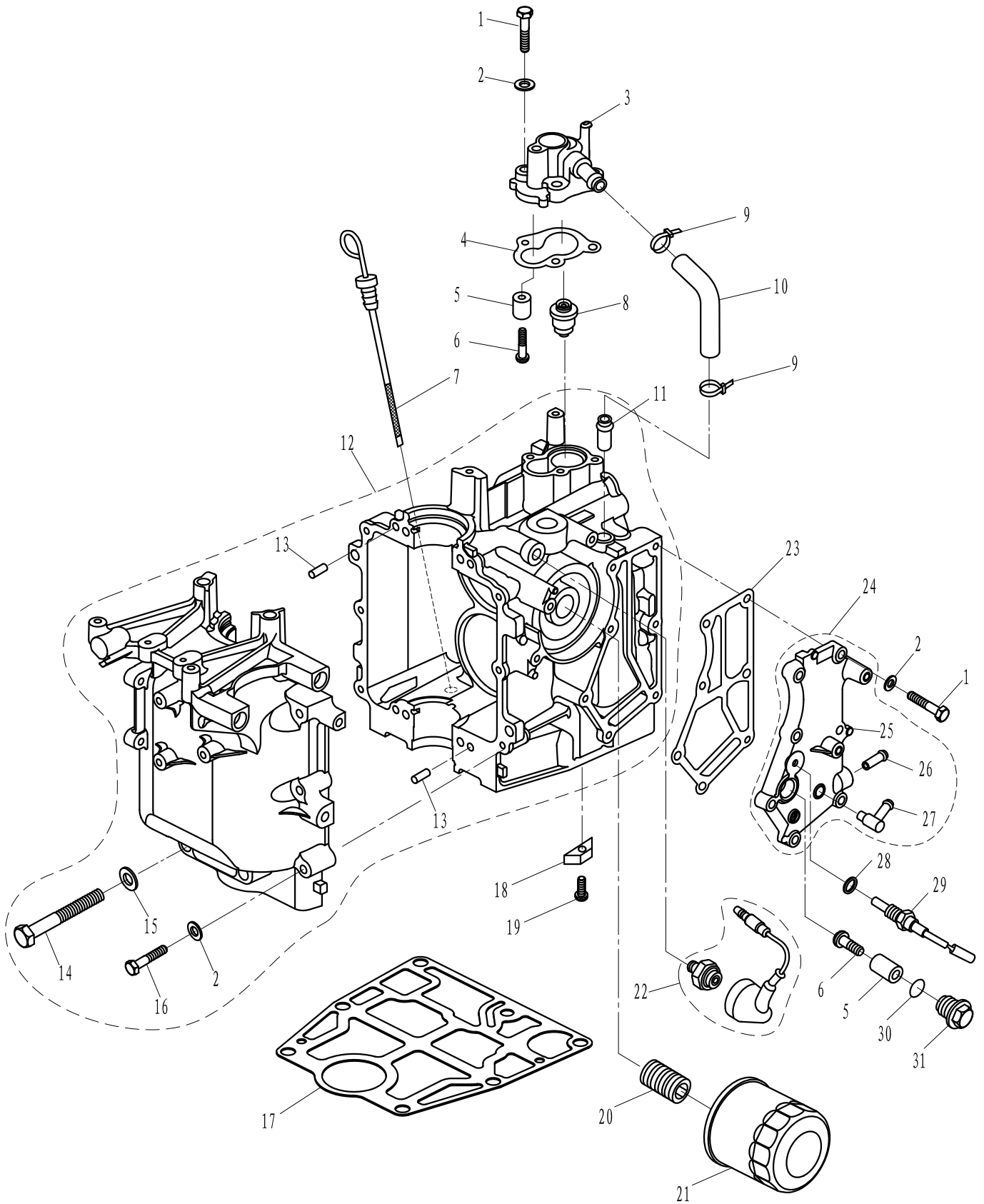






零部件名称: 曲轴箱

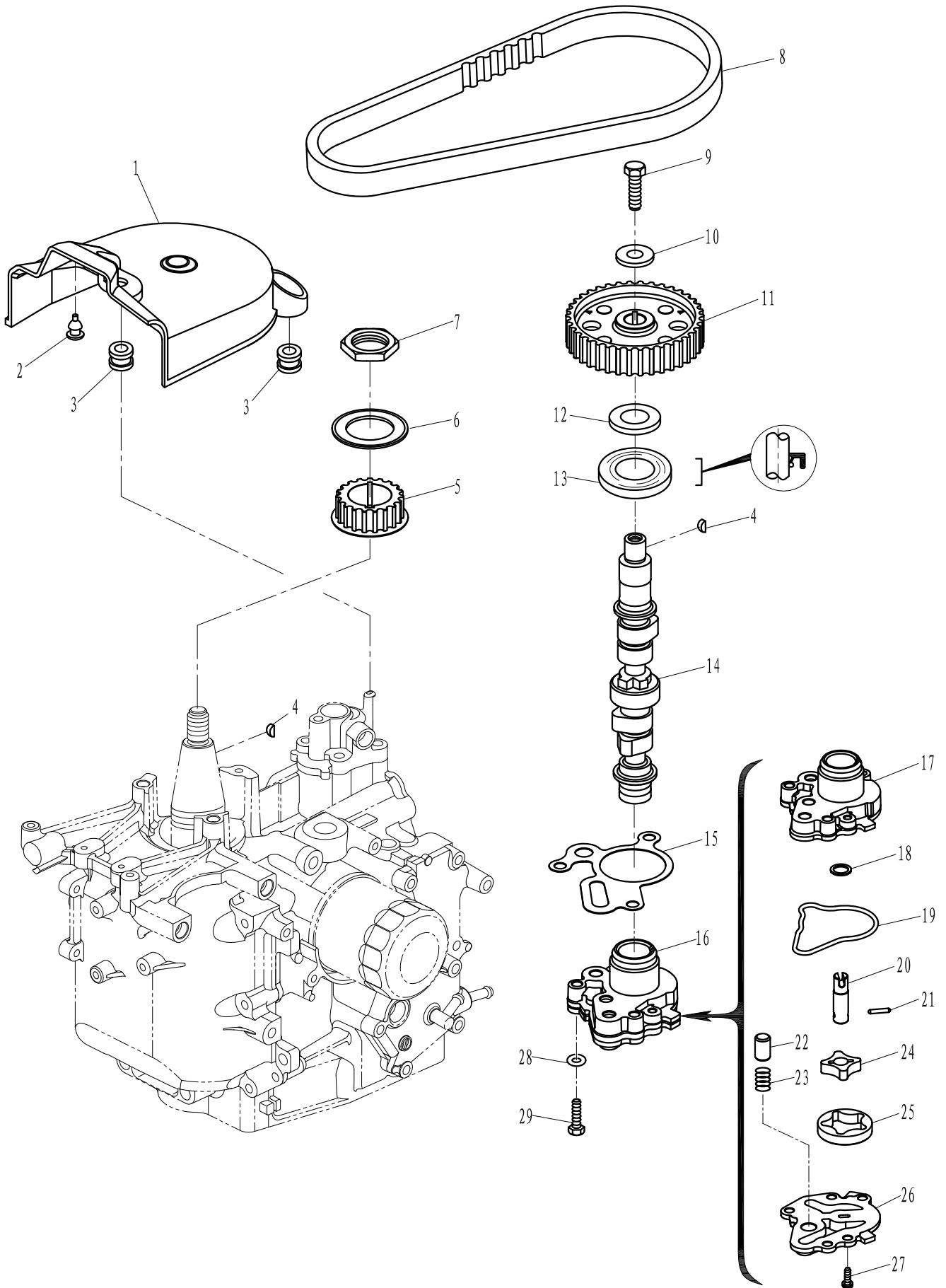
PARTS NAME: CRANKCASE





零部件名称: 凸轮轴

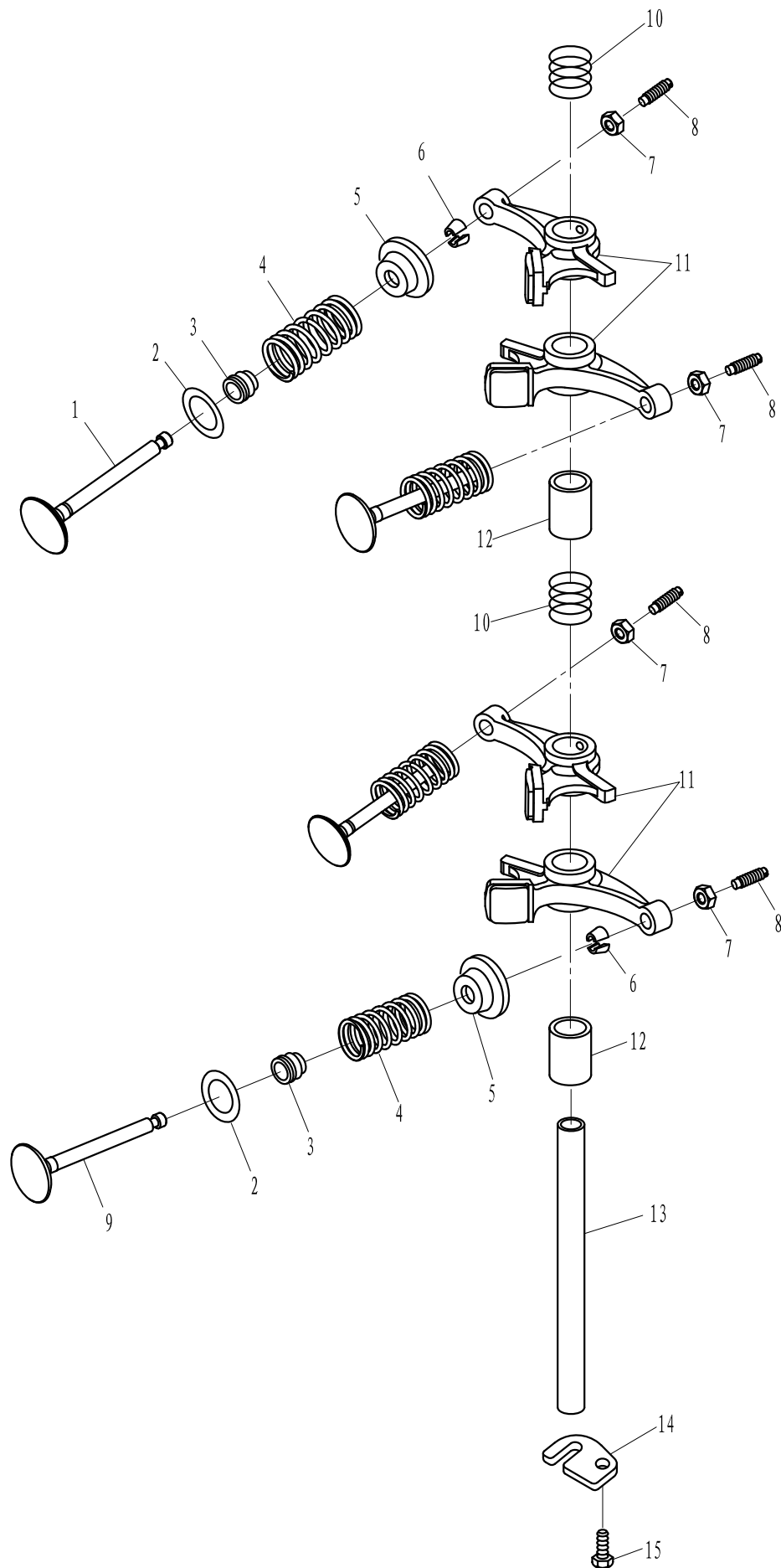
PARTS NAME: CAMSHAFT





零部件名称: 阀门

PARTS NAME: VALVE



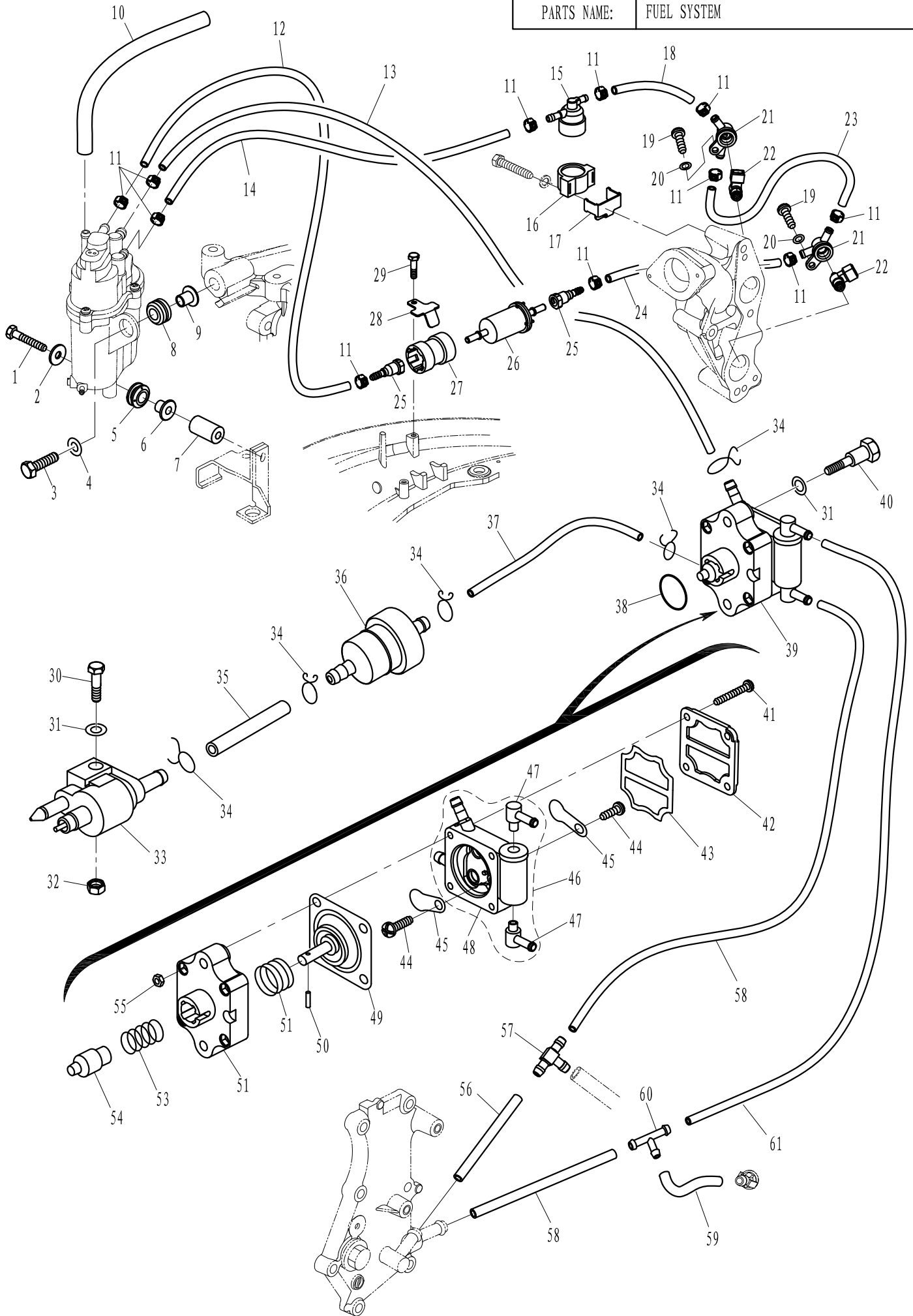


零部件名称:

燃油系统

PARTS NAME:

FUEL SYSTEM



零部件名称: 燃油系统

PARTS NAME: FUEL SYSTEM

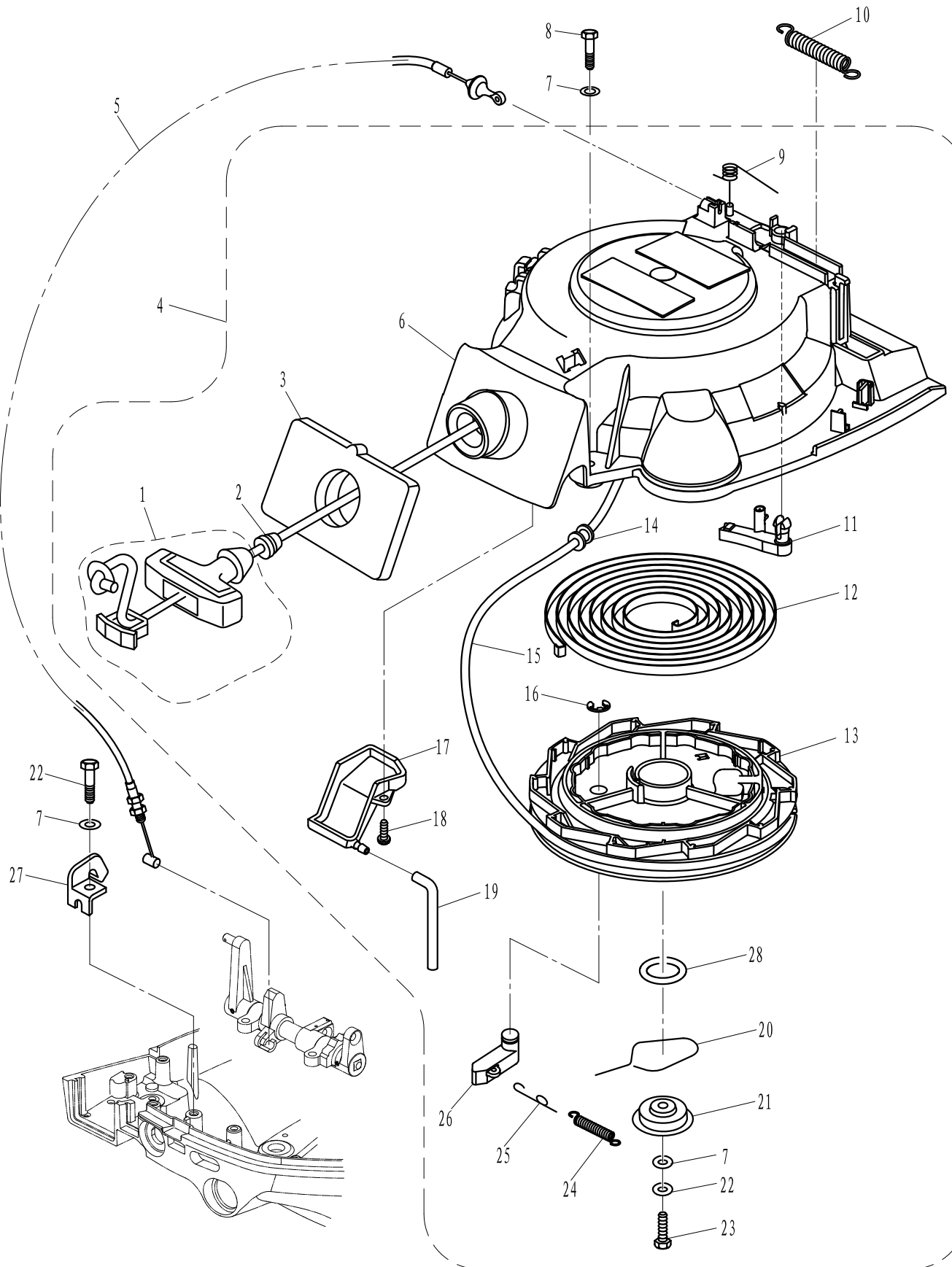
SN. 参照号码	PART NO. 零件编号	DESCRIPTION 零件名称(中文)	DESCRIPTION 零件名称(英文)	QTY 数量				REMARKS 备注
1	GB/T5783-M6x50	六角螺栓M6x50	BOLT M6x50	1				
2	GB/T96-6	大垫圈 6	BIG WASHER 6	1				
3	GB/T5783-M8x16	六角螺栓M8x16	BOLT M8x16	1				
4	GB/T96-8	大垫圈8	BIG WASHER 8	1				
5	F15-05000004	减震圈	DAMPER	1				
6	F20-05000056EFI-A	减震圈垫管	BUSH, DAMPER	1				
7	F20-05000055EFI-A	油泵垫管	BUSH, OIL PUMP	1				
8	F20-05000046EFI	储油杯减震圈	DAMPER, OIL CUP	1				
9	F20-05000047EFI	储油杯垫管	BUSH, OIL CUP	1				
10	F20-05000059EFI	燃油管 $\phi 5 \times \phi 10 \times 160$ (EPA)	FUEL PIPE	1				
11	S7133-14	单耳无板卡箍 14	SINGLE LUG CLAMP	11				
12	F20-05000054EFI	燃油管 D $\phi 6 \times \phi 12.5 \times 450$ (EPA)	FUEL PIPE D $\phi 6 \times \phi 12.5 \times 450$	1				复合织物增强液压胶管
13	F20-05000052	燃油管 C $\phi 5 \times \phi 10 \times 470$ (EPA)	FUEL PIPE C $\phi 5 \times \phi 10 \times 470$	1				
14	F20-05000050	燃油管 F $\phi 6 \times \phi 12.5 \times 280$ (EPA)	FUEL PIPE D $\phi 6 \times \phi 12.5 \times 280$	1				复合织物增强液压胶管
15	F20-05001300EFI	压力阀	PRESSURE VALVE	1				
16	F20-05000042EFI	压力阀橡胶套	JACKET, PRESSURE VALVE	1				
17	F20-05000041EFI	压力阀固定架	BRACKET, PRESSURE VALVE	1				
18	F20-05000049EFI	喷嘴定型管	FUEL PIPE	1				
19	GB/T818-M5x12	十字槽盘头螺钉M5x12	SCREW M5x12	2				
20	GB/T97.1-5	平垫圈5	WASHER 5	2				
21	F20-05001000EFI	喷油嘴盖A组件	COVER A ASSY, FUEL INJECTOR	2				
22	F20-05000050EFI	喷油器MEV1-060	FUEL INJECTOR	2				
23	F20-05000053	燃油管 E $\phi 5 \times \phi 12.2 \times 60$	FUEL PIPE E $\phi 5 \times \phi 12.2 \times 60$	1				复合织物增强液压胶管
24	F20-05000062EFI	燃油管定型管G	FUEL PIPE G	1				
25	F40-05000040EI	燃油过滤器接头A	JOINT A, FUEL FILTER	2				
26	F40-05091100EI	高压燃油过滤器	HIGH-PRESSURE FUEL FILTER	1				
27	F20-03000014EFI	电动油泵橡胶套	JACKET, FUEL PUMP	1				
28	F20-03000013EFI	电动油泵压板	BRACKET, FUEL PUMP	1				
29	GB/T5783-M6x12	六角螺栓M6x12	BOLT M6x12	1				
30	GB/T5783-M6x20	六角螺栓M6x20	BOLT M6x20	1				
31	GB/T97.1-6	平垫圈6	WASHER 6	3				
32	GB/T6170-M6	六角螺母M6	NUT M6	1				
33	F4-05000200	燃油管接头组件	FUEL PIPE TIE-IN ASSY	1				
34	F4-05000030	油管夹簧B	CLIP B, FUEL PIPE	5				
35	F20-05000017	燃油管 A $\phi 5 \times \phi 10 \times 400$	FUEL PIPE A $\phi 5 \times \phi 10 \times 400$	1				
36	F20-00005300EFI	燃油过滤器组件	FUEL FILTER ASSY	1				
37	F20-03000018	燃油管 B $\phi 5 \times \phi 10 \times 90$	FUEL PIPE B $\phi 5 \times \phi 10 \times 90$	1				
38	GB/T3452.1- $\phi 20.2 \times 2.4$	O型圈 $\phi 20.2 \times 2.4$	O-RING $\phi 20.2 \times 2.4$	1				
39	F20-05050000	燃油泵组件	FUEL PUMP ASSY	1				
40	F20-05000022	燃油泵螺栓	BOLT, FUEL PUMP	2				
41	GB/T818-M4x32	十字槽盘头螺钉M4x32	SCREW M4x32	4				
42	F4-04090003	燃油泵盖	COVER, FUEL PUMP	1				
43	F4-04090004	上隔膜	GASKET	1				





零部件名称: 起动机组件

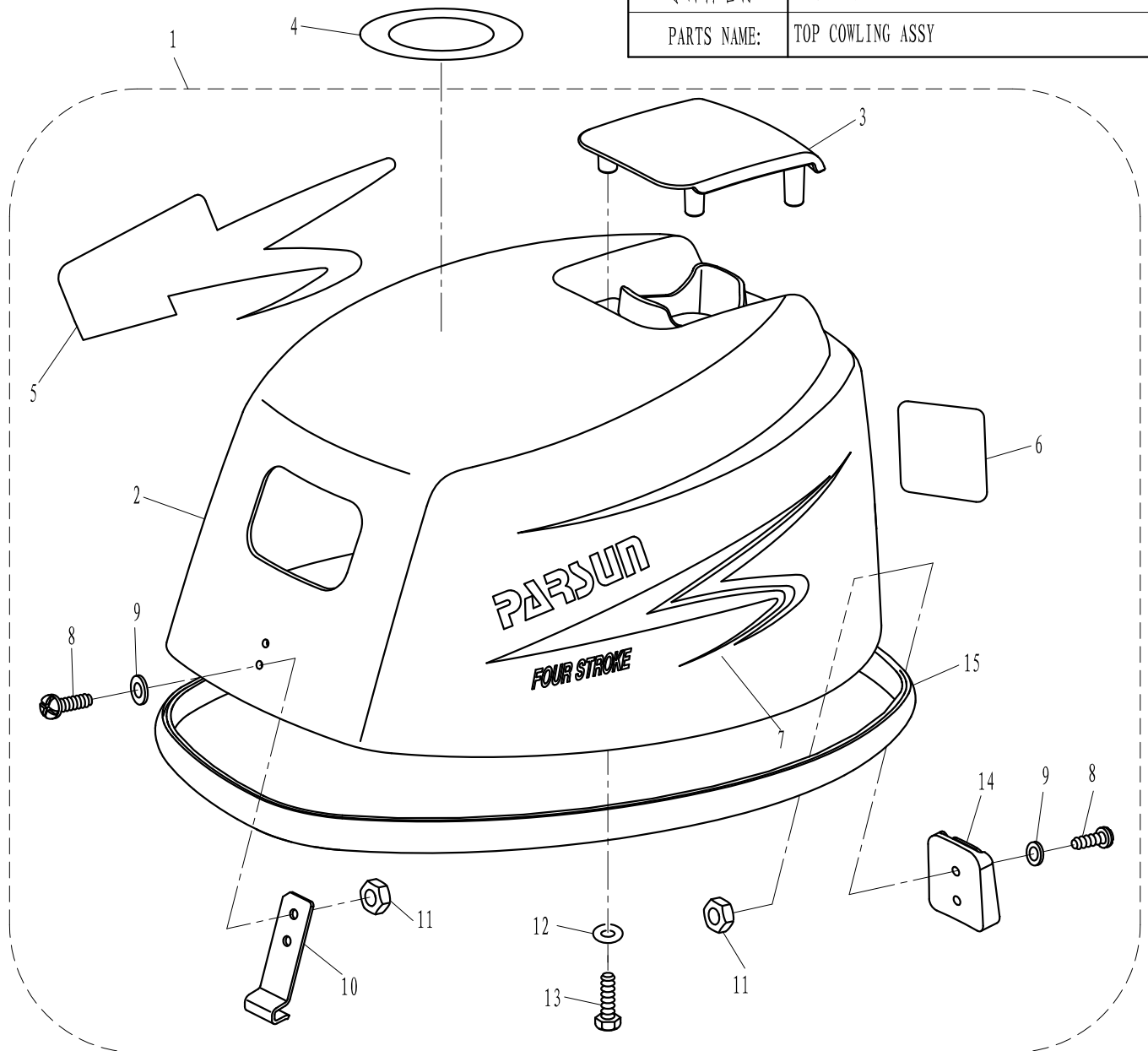
PARTS NAME: STARTER ASSY





零部件名称: 顶罩组件

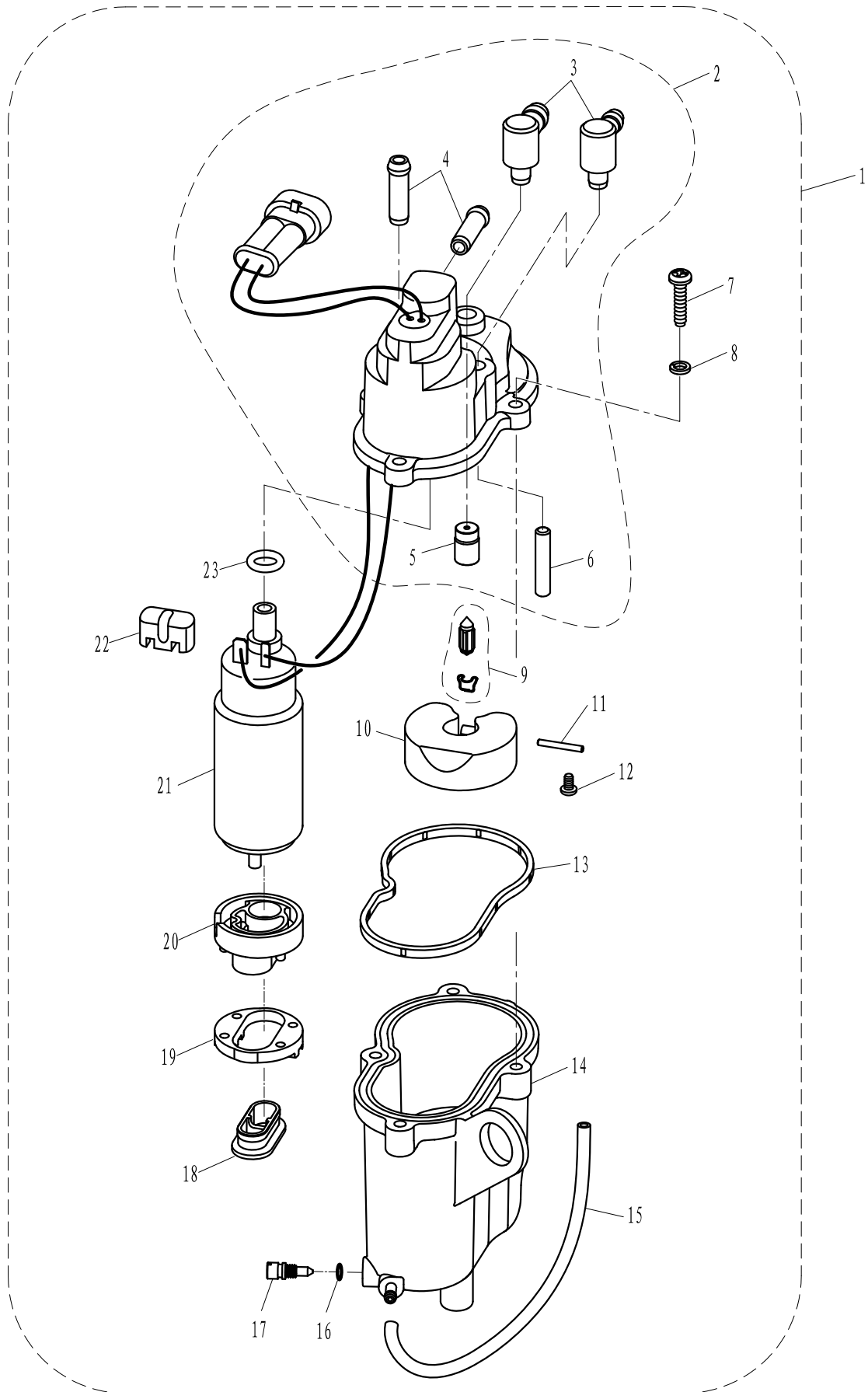
PARTS NAME: TOP COWLING ASSY



SN. 参照号码	PART NO. 零件编号	DESCRIPTION 零件名称 (中文)	DESCRIPTION 零件名称 (英文)	QTY 数量					REMARKS 备注
1	F20-06000000	顶罩组件	TOP COWLING ASSY	1					
2	F20-06000001	顶罩	TOP COWLING	1					
3	F20-06000003	顶罩盖	COVER, TOP COWLING	1					
4	F4-08000019	标贴19	MARK 19	1					
5	F15-12000002	顶罩右标贴	MARK, RIGHT	1					
6	F25-08000006	顶罩前标贴 (F20)	MARK, FRONT (F20)	1					
	F15-12000003	顶罩前标贴 (F15)	MARK, FRONT (F15)	1					
7	F15-12000001	顶罩左标贴	MARK, LEFT	1					
8	GB/T818-M5x16	十字槽盘头螺钉M5x16	SCREW M5x16	4					
9	GB/T96-5	大垫圈5	BIG WASHER 5	4					
10	F20-06000004	前挂钩	HOOK, FRONT	1					
11	GB/T6170-M5	六角螺母M5	NUT M5	4					
12	GB/T97.1-6	平垫圈6	WASHER 6	4					
13	GB/T5783-M6x20	六角螺栓M6x20	BOLT M6x20	4					
14	F20-06000005	顶罩锁紧块	LOCKING HOOK	1					
15	F20-06000002	密封橡胶条	SEAL, RUBBER	1					

零部件名称: 电动燃油泵组件

PARTS NAME: ELECTRIC OIL PUMP ASSY





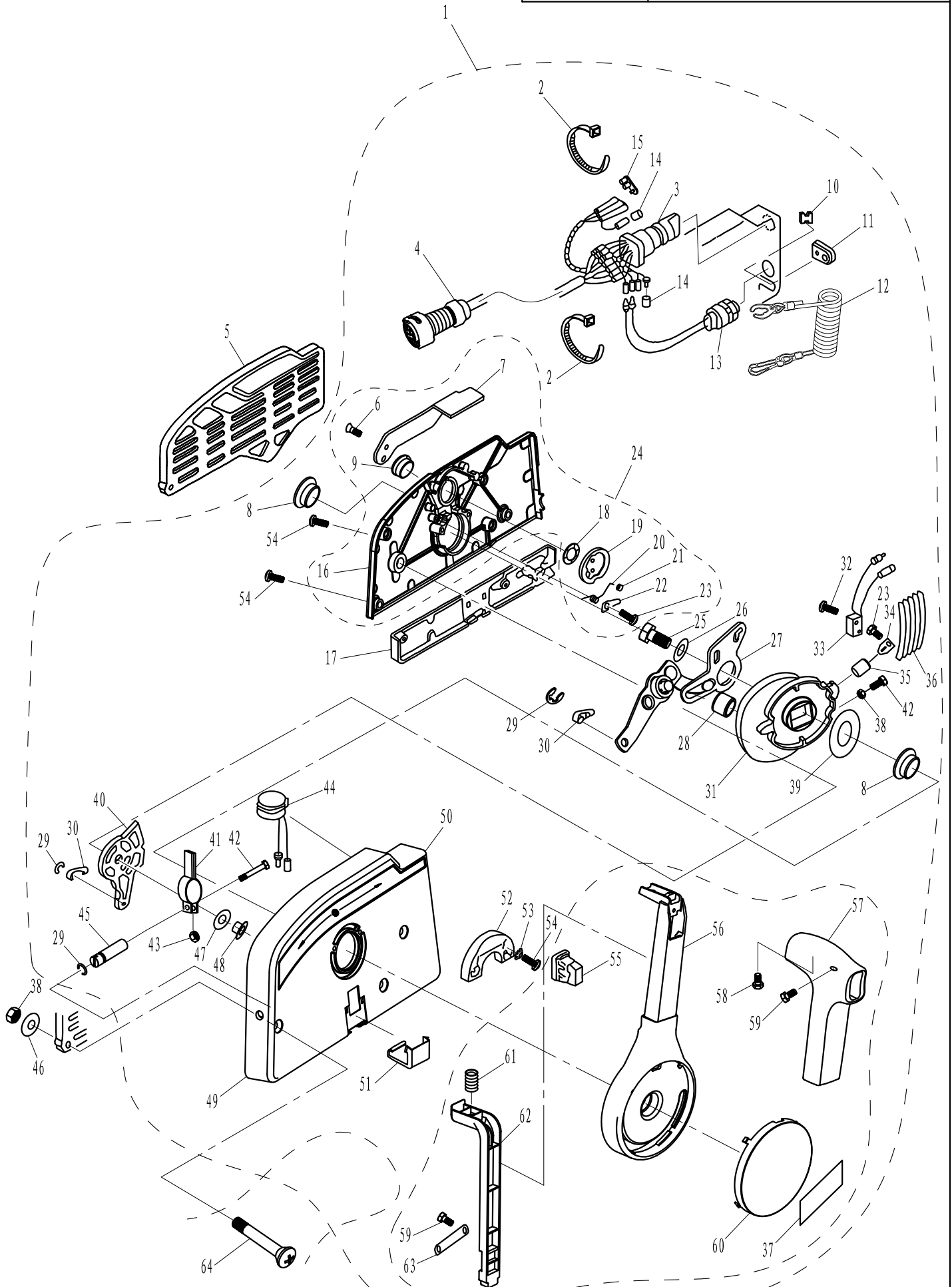


零部件名称:

操纵盒组件

PARTS NAME:

CONTROL BOX ASSY





零部件名称: 操纵盒组件

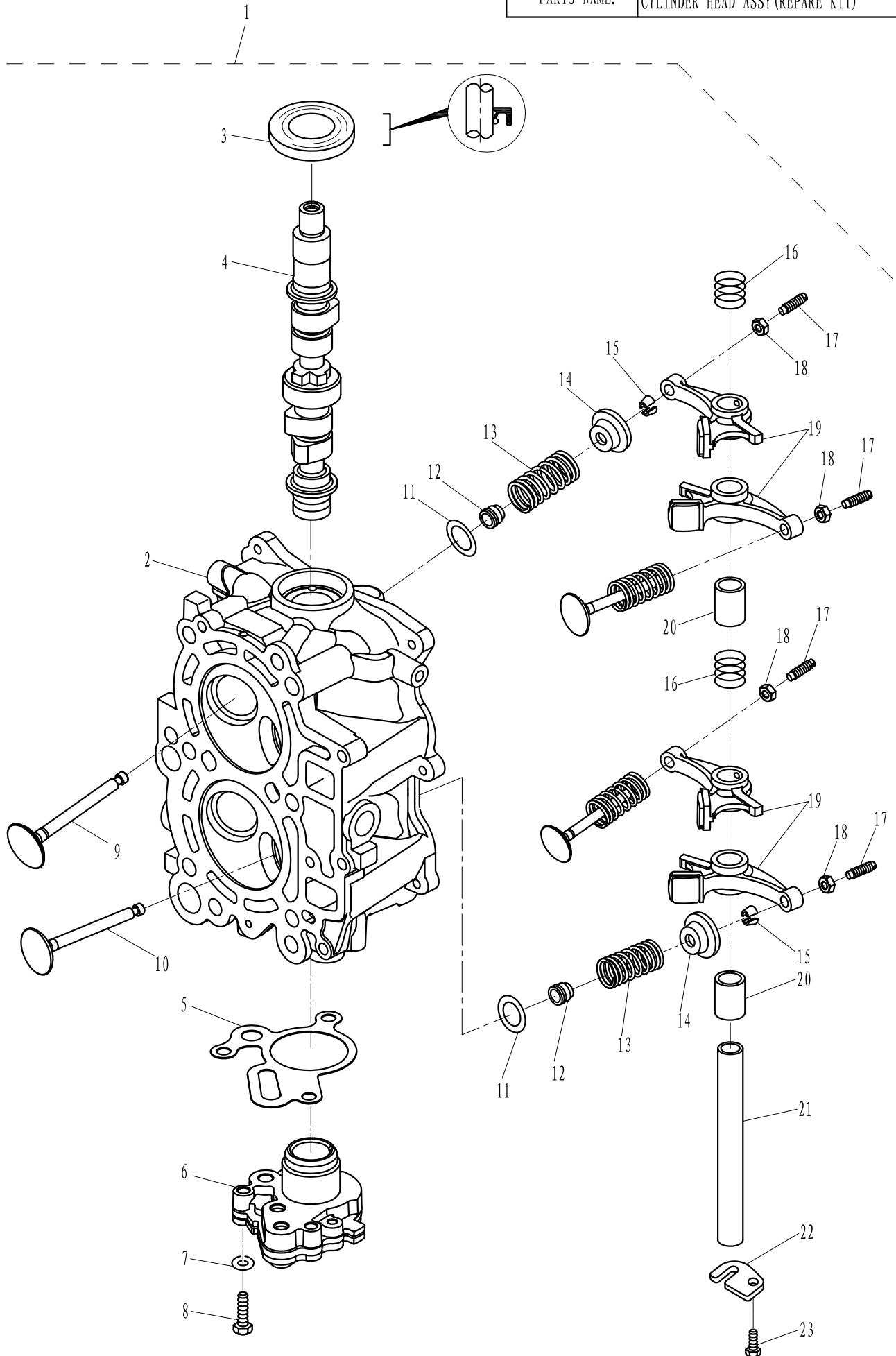
PARTS NAME: CONTROL BOX ASSY

SN. 参照号码	PART NO. 零件编号	DESCRIPTION 零件名称(中文)	DESCRIPTION 零件名称(英文)	QTY 数量					REMARKS 备注
1	F20-1300000EFI	操纵盒组件	CONTROL BOX ASSY	1					
2	HT2.5*60	尼龙扎带	CLAMP	2					
3	F20-03000400EFI	起动机开关组件	STARTING SWICH ASSY	1					
4	T85-08010100	操纵绳索	CONTROL CABLE	1					
5	F15-11000002W	操纵盒安装板	PLATE , CONTROL BOX	1					
6	GB/T819.2-M5X12	十字槽沉头螺钉M5×12	SCREW PAN HEAD M5x12	2					
7	F15-13020007W	油门微调手柄	THROTTLE HANDLE , INCHING	1					
8	F15-13000005W	凸轮机构衬套	BUSH , CAM	2					
9	F15-13020006W	微调手柄衬套	BUSH , HANDLE	1					
10	F15-11000001W	钢索橡胶垫块	BLOCK , RUBBER	1					
11	F15-13000014W	绳索护套	JACKET , CABLE	1					
12	F4-01090401	引擎停止安全索	STOPER , HANG ROPE ASS'Y	1					
13	F15-13020400W	急停开关组件	ENGINE STOP SWICH ASS'Y	1					
14	F15-13000203W	绝缘堵头B	INSULATED PLUG "B"	2					
15	F15-13000202W	绝缘堵头A	INSULATED PLUG "A"	1					
16	F15-13020001W	操纵盒盖	COVER , CONTROL BOX	1					
17	F15-13000013W	操纵盒小盖板	SMALL COVER , CONTROL BOX	1					
18	F15-13020005W	波形垫圈B	WASHER "B" , WAVE	1					
19	F15-13020100W	锁紧圆盘组件	LOCKED DISK ASS'Y	1					
20	F15-13020002W	扭簧	TORSION SPRING	1					
21	F15-13020003W	互锁滑轮	EACH LOCKED PULLEY	1					
22	F15-13020004W	滑轮弹簧压板	PLATE , PULLEY SPRING	1					
23	GB/T818-M4X6	十字槽盘头螺钉M4×6	PAN HEAD SCREW M4×6	2					
24	F15-13020000W	操纵盒盖组件	COVER ASS'Y, CONTROL BOX	1					
25	GB/T5783-M8X30	六角螺栓M8×30	BOLT M8×30	1					
26	GB/T97.1-8	平垫圈8	WASHER 8	1					
27	F15-13000500W	油门控制机构	MACHINE , CONTROL ACCELEROGRAPH	1					
28	F15-13000007W	销轴垫圈	WASHER	1					
29	GB/T896-6	开口挡圈6	PIN , COTTER 8	3					
30	F25-07000007W	操控钢索接头B	CONTROL CABLE TIE-IN "B"	2					
31	F15-13000002W	凸轮机构	CAM MECHANISM	1					
32	GB/T818-M3X14	十字槽盘头螺钉M3×14	PAN HEAD SCREW M3×14	2					
33	F15-13000800W	微动开关	INCHING SWITCH	1					
34	F15-13000003W	档位弹簧片压板	PLATE	1					
35	F15-13000004W	档位滑轮	PULLEY	1					
36	F15-13000001W	档位弹簧片B	SHIFT SPRING PLATE "B"	5					
37	F15-12000016W	标贴16	MARK 16	1					
38	GB/T6170-M6	六角螺母M6	NUT M6	4					
39	F15-13000008W	凸轮机构减磨片	WEARABLE PLATE , CAM MACHANISM	1					
40	F15-13000700W	变档摆杆	SHIFT SWING LINK	1					
41	F15-13000601W	调节器固定板组件	ADJUSTER FASTNESS ASS'Y	1					
42	GB/T5783-M5X25	六角螺栓M5×25	BOLT M5×25	2					
43	GB/T6170-M5	六角螺母M5	NUT M5	2					



零部件名称: 气缸头总成 (维修件)

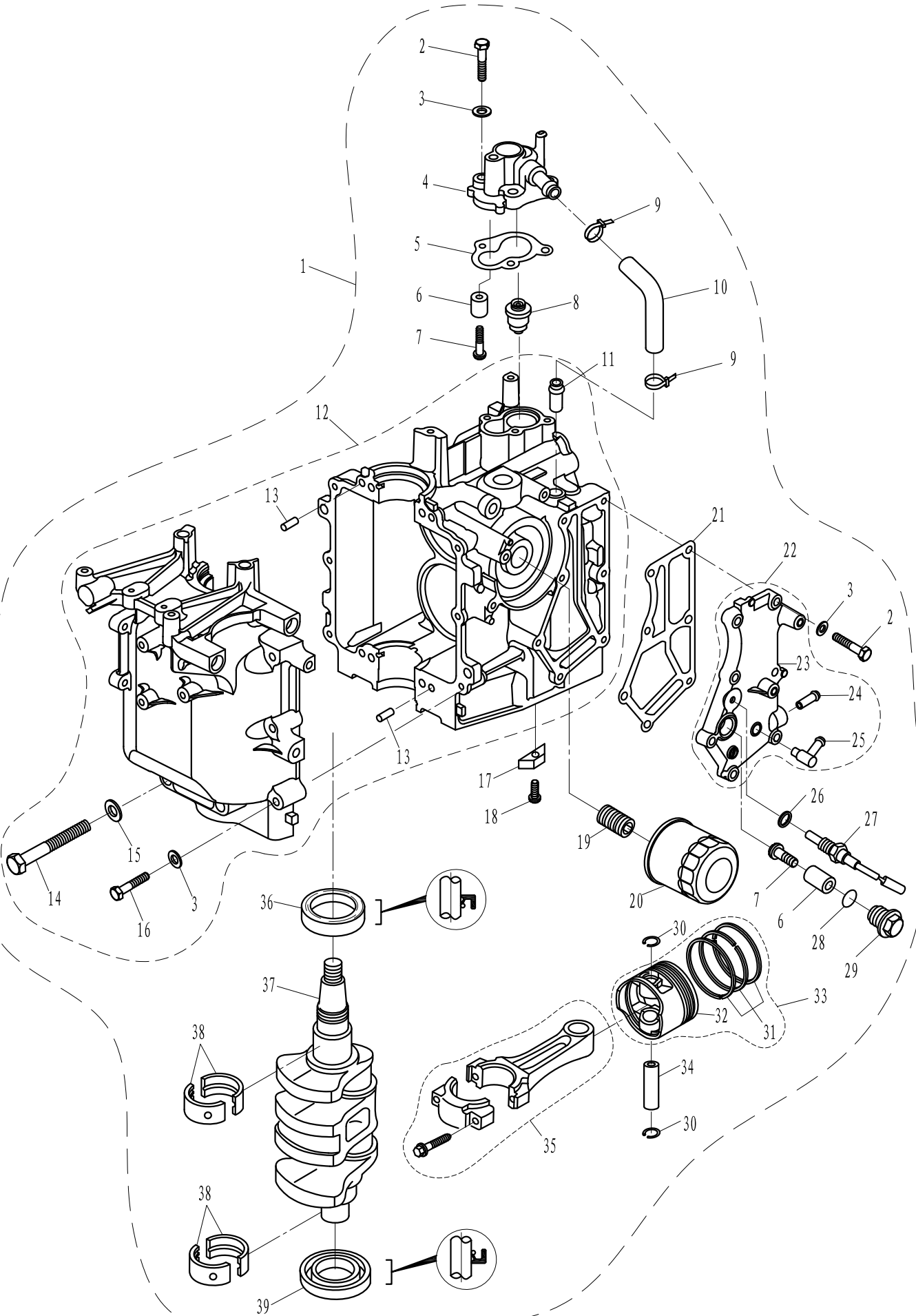
PARTS NAME: CYLINDER HEAD ASSY (REPAIR KIT)





零部件名称: 发动机头总成 (维修件)

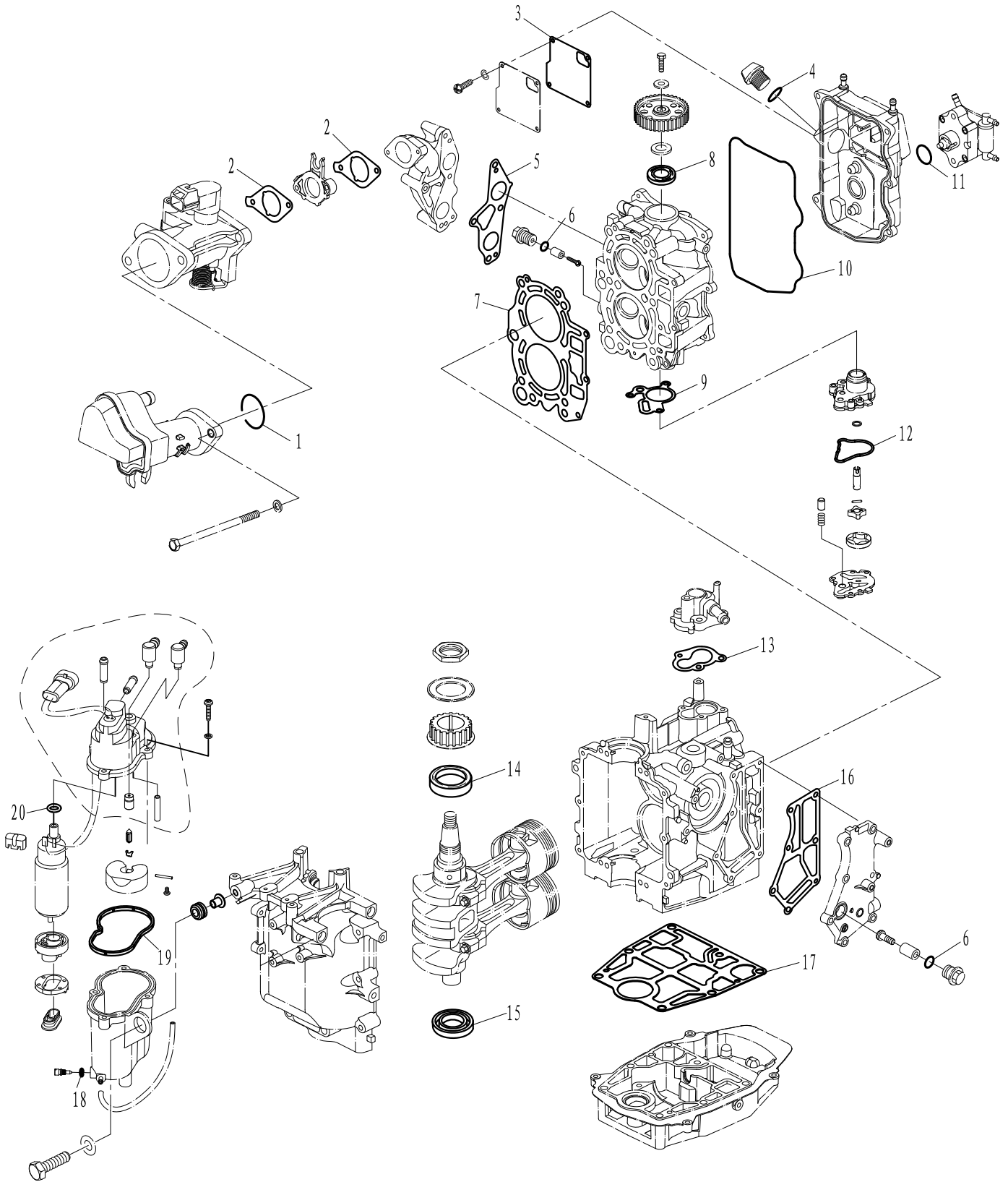
PARTS NAME: ENGINE ASSY (REPAIR KIT)





零部件名称: 维修件 1

PARTS NAME: REPAIR KIT 1

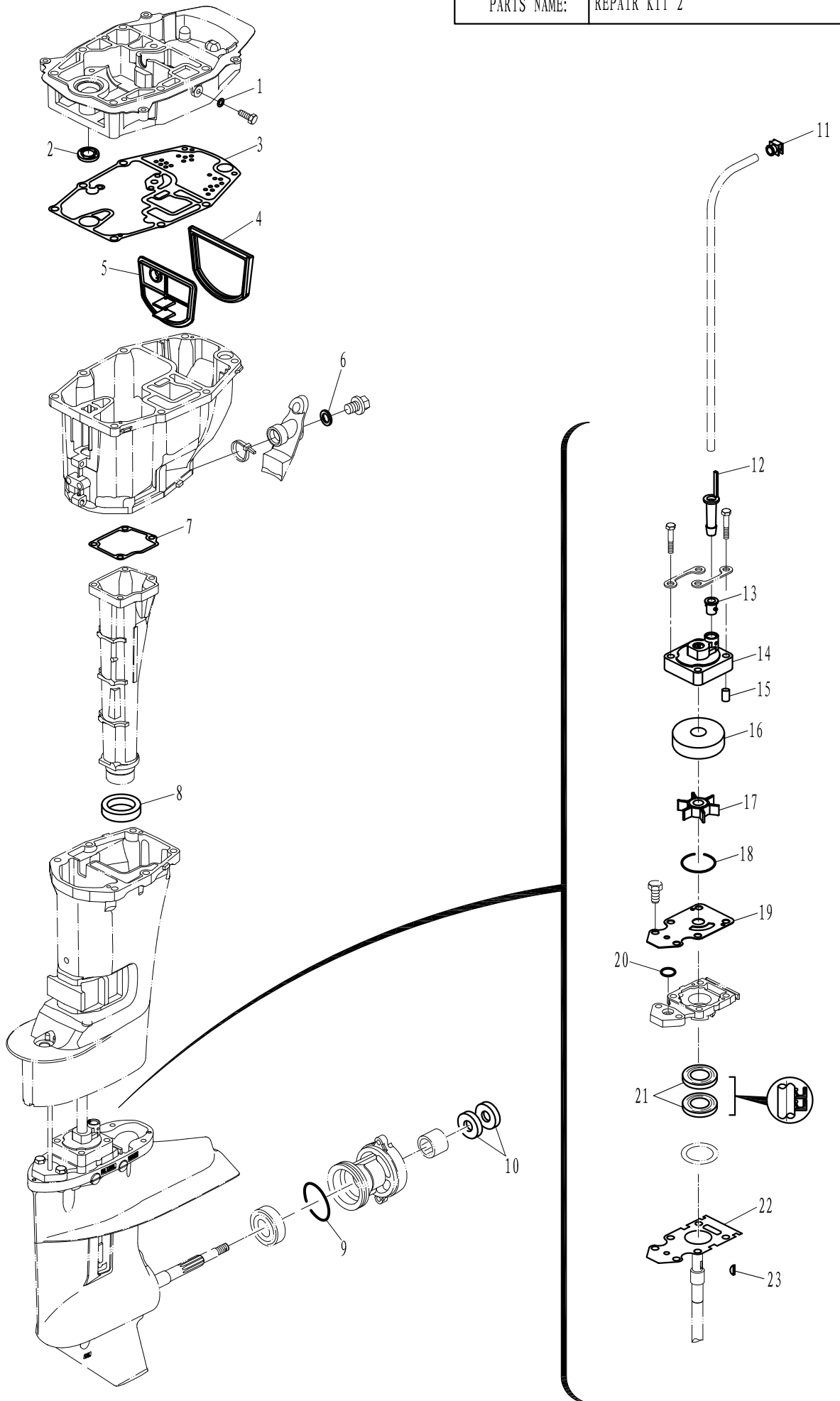






零部件名称: 维修件 2

PARTS NAME: REPAIR KIT 2





零部件名称:

零件目录检索表

PARTS NAME:

PARTS CATALOGUE INDEX

零件代号 PART NO.	页码/序号 PAGE/NO.	零件代号 PART NO.	页码/序号 PAGE/NO.	零件代号 PART NO.	页码/序号 PAGE/NO.
HT2. 5x50	8-19	F15-01000003	4-23	F15-05000029	36-10
	27-9	F15-01000004	4-28	F15-05000031	12-21
	17-23	F15-01000006	4-30	F15-05000032	12-20
HT2. 5x60	42-2	F15-01000007	6-17	F15-05000035	12-25
HT4. 2x200	22-3	F15-01000008	6-18	F15-05040002	12-17
IKO TA1720	14-17	F15-01000009	6-19	F15-06000013	14-31
JASO F404 31-025	24-18	F15-01000011	6-21	F15-06000014	15-41
JASO F404-31-045	14-35	F15-01000012	6-20	F15-06000015	17-7
S7133-14	33-11	F15-01000013	6-22	F15-06000016	17-10
		F15-01010001	2-3	F15-06020003	14-25
J50-01000004	17-25	F15-01010002	2-9	F15-06020004	14-24
166F-010003	31-3	F15-01010003	2-2	F15-06020005	17-14
F4-01010003	2-15	F15-01010006	2-32	F15-06040002	14-29
F4-01010004	2-13	F15-01010007	2-1	F15-06050000	14-36
F4-01010005	2-14	F15-01010100	2-10	F15-06060002	14-37
F4-01090003	6-6	F15-01010102	2-12	F15-06070002	14-10
F4-01090006	6-5	F15-01010200	2-11	F15-06070004	14-6
F4-01090007	6-4	F15-01010202	2-18	F15-06070005	14-8
F4-01090401	6-10	F15-01010302	2-8	F15-06070006	14-9
F4-01090401	42-12	F15-01010303	4-26	F15-06070007	14-13
F4-03000023	14-2	F15-01010304	2-31	F15-06080004	14-18
F4-03000024	14-3	F15-01010305	2-24	F15-06090000-11	17-8
F4-04000006	8-3	F15-01010306	2-20	F15-06090000-8	
F4-04010102	27-26	F15-01010307A	2-30	F15-07000004	17-10
F4-04070003	24-4	F15-01010308	2-26	F15-07000005	19-2
	27-5	F15-01010309	2-27	F15-07000006	19-1
F4-04090003	33-42	F15-01010311	2-7	F15-07000012	11-5
F4-04090004	33-43	F15-01010312A	2-28	F15-07000014	12-6
F4-04090005	34-45	F15-01010313A	2-25	F15-07000016	11-2
F4-04090011	34-44	F15-01010314A	2-38	F15-07010003	27-20
F4-04130013	36-14	F15-01010315	2-36	F15-07010023	27-21
F4-05000030	33-34	F15-01010316	2-21	F15-07010026	27-18
F4-05000200	33-33	F15-01010317-1	2-35	F15-07010100	27-22
F4-08000014	6-14	F15-01010317-2	2-34	F15-07030006	25-4
F4-08000016	6-15	F15-01010317-3	2-33	F15-07040006	31-5
F4-08000019	37-4	F15-01010400	2-39	F15-07040007	31-6
F8-05000022	24-8	F15-01030001	6-16	F15-07040015	31-13
F8-08000010	6-28	F15-01030005	6-9	F15-07040303	31-8
F15-00000006	8-1	F15-01030100	6-7	F15-07040304	31-7
	24-2	F15-01030200	6-12	F15-07050004	24-17
	27-13	F15-03000100W	9-5	F15-07110003	29-22
F15-00000008	6-34	F15-04000002	8-22	F15-07130002	36-20
F15-00000009	6-35	F15-04000003	8-21	F15-07130105	36-11
F15-00000012	6-38	F15-04000005	27-27	F15-07130106	36-9
	12-23		34-47	F15-07130107	36-12
F15-00000013	8-14	F15-04000008	8-5	F15-07130201	36-13
	15-38	F15-05000004	33-5	F15-07130202	36-26
	17-15	F15-05000009	10-28	F15-07130203	36-24
F15-01000001	4-24	F15-05000011	34-60	F15-07130204	36-25
F15-01000002	4-25	F15-05000016	10-25	F15-07130205	36-15

零部件名称:

零件目录检索表

PARTS NAME:

PARTS CATALOGUE INDEX

零件代号 PART NO.	页码/序号 PAGE/NO.	零件代号 PART NO.	页码/序号 PAGE/NO.	零件代号 PART NO.	页码/序号 PAGE/NO.
F15-07140001	34-52	F15-13010001W	43-56	F20-01030009	4-20
F15-07140003	34-54	F15-13010002W	43-57	F20-01030010	4-19
F15-07140004	34-53	F15-13010003W	43-55	F20-02000001L	8-27
F15-07140005	34-51	F15-13010004W	43-62	F20-02000001S	
F15-07140100	34-49	F15-13010005W	43-61	F20-02000002	4-38
F15-07150001W	21-10	F15-13010008W	43-63	F20-02000003	8-28
F15-07150200W	21-18	F15-13010009W	43-60	F20-02000004	8-29
F15-07150300W	21-15	F15-13010010W	43-52	F20-02000005	17-21
F15-07150501W	21-12	F15-13020000W	42-24	F20-02000007	17-24
F15-09000000	40-1	F15-13020001W	42-16	F20-02000101L	17-22
F15-09000001	40-12	F15-13020002W	42-20	F20-02000101S	
F15-09000002	40-14	F15-13020004W	42-22	F20-02010001	8-15
F15-09000003	40-11	F15-13020005W	42-18	F20-02010002	8-20
F15-09010000	40-15	F15-13020006W	42-9	F20-02010003L	8-24
F15-09020000	40-10	F15-13020007W	42-7	F20-02010003S	
F15-09030000	40-13	F15-13020100W	42-19	F20-02010004	8-23
F15-10000000	40-2	F15-13020400W	42-13	F20-02010005	8-26
F15-10000001	40-9	F15-13000004W	42-35	F20-02010100	8-10
F15-10000002	40-8	F15-13020003W	42-21	F20-02010101	8-12
F15-10000003	40-7			F20-02010102	8-11
F15-10010000	40-3			F20-02010103	8-13
F15-10020000	40-6	F20-00000001	4-33	F20-02020001	8-2
F15-11000001W	42-10	F20-00000002	4-31	F20-02020002	8-6
F15-11000002W	42-5	F20-00000003	4-32	F20-02020100	8-7
F15-11020002W	12-36	F20-00000004	4-35	F20-02020200	4-5
F15-12000001	37-7	F20-00000005	4-6	F20-03000001EFI	10-27
F15-12000002	37-5	F20-00000008	6-36	F20-03000002	10-39
F15-12000003	37-6	F20-00000009	6-37	F20-03000003	10-23
F15-12000013W	43-50	F20-00000010	27-17	F20-03000004	10-14
F15-12000016W	42-37	F20-00000011	10-40	F20-03000005	10-13
F15-13000001W	42-36	F20-00000100	27-7	F20-03000005W	10-45
F15-13000002W	42-31	F20-00005300EFI	33-36	F20-03000006	10-15
F15-13000003W	42-34	F20-01000001	6-29	F20-03000006W	10-46
F15-13000005W	42-8	F20-01000002	6-31	F20-03000007	10-10
F15-13000006W	43-47	F20-01000003	6-27	F20-03000007W	10-44
F15-13000007W	42-28	F20-01010000	4-1	F20-03000008	10-26
F15-13000008W	42-39	F20-01010000S		F20-03000008BW	10-49
F15-13000011W	43-48	F20-01010301L	2-6	F20-03000009L	12-24
F15-13000012W	43-49	F20-01010301S		F20-03000009S	
F15-13000013W	42-17	F20-01020100	6-24	F20-03000010	9-6
F15-13000014W	42-11	F20-01020200	6-1	F20-03000011	10-11
F15-13000015W	43-51	F20-01030000	4-8	F20-03000012W	12-27
F15-13000202W	42-15	F20-01030001	4-9	F20-03000013	10-24
F15-13000203W	42-14	F20-01030002	4-12	F20-03000013EFI	33-28
F15-13000300W	43-44	F20-01030003	4-14	F20-03000014EFI	33-27
F15-13000500W	42-27	F20-01030004	4-15	F20-03000018	33-37
F15-13000601W	42-41	F20-01030005	4-16	F20-03000101	10-16
F15-13000602W	43-45	F20-01030006	4-17	F20-03000200W	12-30
F15-13000700W	42-40	F20-01030007	4-18	F20-03000203W	12-31
F15-13000800W	42-33	F20-01030008	4-13	F20-03000400EFI	10-48

零部件名称:

零件目录检索表

PARTS NAME:

PARTS CATALOGUE INDEX

零件代号 PART NO.	页码/序号 PAGE/NO.	零件代号 PART NO.	页码/序号 PAGE/NO.	零件代号 PART NO.	页码/序号 PAGE/NO.
	42-3	F20-05000017	33-35	F20-05000700	27-3
F20-03010001	12-13	F20-05000017EFI-A	17-12	F20-05000702	27-4
F20-03010100	12-18	F20-05000022	17-15	F20-05000800EFI	22-6
F20-03010200	12-22		33-40	F20-05000900EFI	21-5
F20-03020000	10-29	F20-05000023	34-58	F20-05000900W	21-23
F20-03020001	10-33	F20-05000024	34-56	F20-05000901W	21-4
F20-03020002	10-30	F20-05000025	34-61	F20-05000902W	21-3
F20-03020003	10-36	F20-05000026	34-57	F20-05000903W	21-2
F20-03020004	10-31	F20-05000027	29-5	F20-05001000EFI	33-21
F20-03020005	10-32	F20-05000028	29-6	F20-05001100EFI	22-10
F20-04000000EL	17-17	F20-05000029	29-7	F20-05001200MBFI	17-13
F20-04000000ES		F20-05000030	36-27	F20-05001200WBFI	
F20-04000001E	14-1	F20-05000031	22-7	F20-05001300EFI	33-15
F20-04000002	14-34	F20-05000032	22-8	F20-05001500EFI	17-28
F20-04000002E	17-2	F20-05000033	29-1	F20-05001700MEFI-A	17-23
F20-04000003E	17-6	F20-05000034	29-3	F20-05001700WEFI-A	
F20-04000004E	14-22	F20-05000036	29-2	F20-05001800EFI	39-1
F20-04000005E-1	14-26	F20-05000037	24-10	F20-05001801EFI	39-2
F20-04000005E-2		F20-05000038	21-24	F20-05001802EFI	39-3
F20-04000005E-3		F20-05000038	34-59	F20-05001803EFI	39-4
F20-04000005E-4		F20-05000039EFI	22-21	F20-05001804EFI	39-5
F20-04000007E	15-44	F20-05000039W	21-14	F20-05001805EFI	39-6
F20-04000009E	17-20	F20-05000040W	17-20	F20-05001806EFI	39-9
F20-04000100E	14-5	F20-05000041	17-21	F20-05001807EFI	39-10
F20-04010001E	14-23	F20-05000041EFI	33-17	F20-05001808EFI	39-11
F20-04020000L	15-43	F20-05000042EFI	33-16	F20-05001809EFI	39-13
F20-04020000S		F20-05000043EFI	17-27	F20-05001810EFI	39-14
F20-04030000EL	14-30	F20-05000044EFI	21-33	F20-05001811EFI	39-15
F20-04030000ES		F20-05000045EFI	11-1	F20-05001812EFI	39-16
F20-04030001EL	14-27	F20-05000046EFI	33-8	F20-05001813EFI	39-17
F20-04030001ES		F20-05000047EFI	33-9	F20-05001814EFI	39-18
F20-04040001	15-39	F20-05000049EFI	33-18	F20-05001815EFI	39-19
F20-04050000	17-8	F20-05000050	33-14	F20-05001816EFI	39-20
F20-04050000E	14-12	F20-05000050EFI	33-22	F20-05001817EFI	39-21
F20-04050001E	14-11	F20-05000052	33-13	F20-05001818EFI	39-22
F20-04050002E	14-7	F20-05000053	33-23	F20-05001819EFI	39-23
F20-04060000E	14-19	F20-05000054EFI	33-12	F20-05010000	27-12
F20-04060001E	14-16	F20-05000055EFI-A	33-7	F20-05010002	27-11
F20-04060002E	14-15	F20-05000056EFI-A	33-6	F20-05010003	25-3
F20-04060003E	14-14	F20-05000059EFI	33-10	F20-05010007	27-16
F20-05000001	24-1	F20-05000061EFI	21-28	F20-05020001	25-8
F20-05000002	24-9	F20-05000062EFI	33-24	F20-05020002	25-6
F20-05000003	29-8	F20-05000100EFI	17-9	F20-05020003	25-7
F20-05000006	22-18	F20-05000200	17-6	F20-05020004	25-2
F20-05000007EFI	22-16	F20-05000400EFI	17-22	F20-05020100	25-9
F20-05000008	22-11	F20-05000500MEFI	19-3	F20-05020200	25-5
F20-05000009	22-12	F20-05000500WEFI		F20-05020300	25-10
F20-05000011	22-2	F20-05000600EFI	27-24	F20-05030001	31-1
F20-05000012	22-1	F20-05000601EFI	27-25	F20-05030002	31-9
F20-05000016	27-10	F20-05000602	27-23	F20-05030003	31-2

零部件名称:

零件目录检索表

PARTS NAME:

PARTS CATALOGUE INDEX

零件代号 PART NO.	页码/序号 PAGE/NO.	零件代号 PART NO.	页码/序号 PAGE/NO.	零件代号 PART NO.	页码/序号 PAGE/NO.
F20-05030004	31-4	F20-07000101W	12-35	T36-04000023	22-15
F20-05030005	29-13	F20-07000102W	12-40	T40-01020101	6-11
F20-05030006	31-12	F20-13000000EFI	42-1	T40-02000004	8-32
F20-05030007	31-10			T40-05000028	21-32
F20-05030008	31-14			T40-05000702W	17-18
F20-05030009	24-6	F25-00000004	6-33	T40-05000704W	17-11
	27-31		10-20	T85-08010100	42-4
F20-05030010	29-15	F25-03000006	10-21		
F20-05030011	29-12	F25-03000007	10-22		
F20-05030012	29-11	F25-03000024W	10-47		
F20-05030013	29-10	F25-03000101W	9-1		
F20-05030100	24-12	F25-03000102W	9-2		
F20-05030200	29-14	F25-03000103W	9-3		
F20-05030301	31-11	F25-03000104W	9-4		
F20-05030400	29-16	F25-04000006	15-45		
F20-05030401	29-17	F25-04050004	15-40		
F20-05030402	29-20	F25-05050016	22-17		
F20-05030403	29-18	F25-05050021	25-1		
F20-05030404	29-24	F25-05090100W	21-11		
F20-05030405	29-25	F25-05160021	36-2		
F20-05030406	29-26	F25-05160500	36-1		
F20-05030407	29-23	F25-05170201W	21-25		
F20-05030408	29-19	F25-05170202W	21-27		
F20-05040000	24-21	F25-05170301W	21-16		
F20-05040001	24-20	F25-05170400W	21-17		
F20-05040002	24-11	F25-07000005W	12-29		
F20-05040003	24-13	F25-07000006W	12-32		
F20-05040004	24-14	F25-07000007W	42-30		
F20-05040005	24-19	F25-07000200W	12-43		
F20-05050000	33-39	F25-07000303W	12-37		
F20-05050001	34-48	F25-07000304W	12-38		
F20-05050100	34-46	F25-08000006	37-6		
F20-05060001	12-7				
F20-05060002	12-8				
F20-05060101	12-9	F40-03000300EFI	10-18		
F20-05060102	12-11	F40-05000003	22-19		
F20-05070000	36-4	F40-05000040EI	33-25		
F20-05070001	36-17	F40-05000400	27-29		
F20-05070002	36-19	F40-05091100EI	33-26		
F20-05070003	36-3	F40-05091400EFI	21-34		
F20-05070004	36-21	F40-05091401EFI	21-30		
F20-05070101	36-6	F40-05091402EFI	21-31		
F20-05070200	36-5				
F20-06000000	37-1	T5-03000016	17-19		
F20-06000001	37-2	TE15-02000016	8-33		
F20-06000002	37-15	TE15-04020000	17-8		
F20-06000003	37-3	T15-04000010	27-8		
F20-06000004	37-10	T15-04070007	36-28		
F20-06000005	37-14	T20-06000028	27-14		
F20-07000100W	12-34	T20-06000037W	17-24		