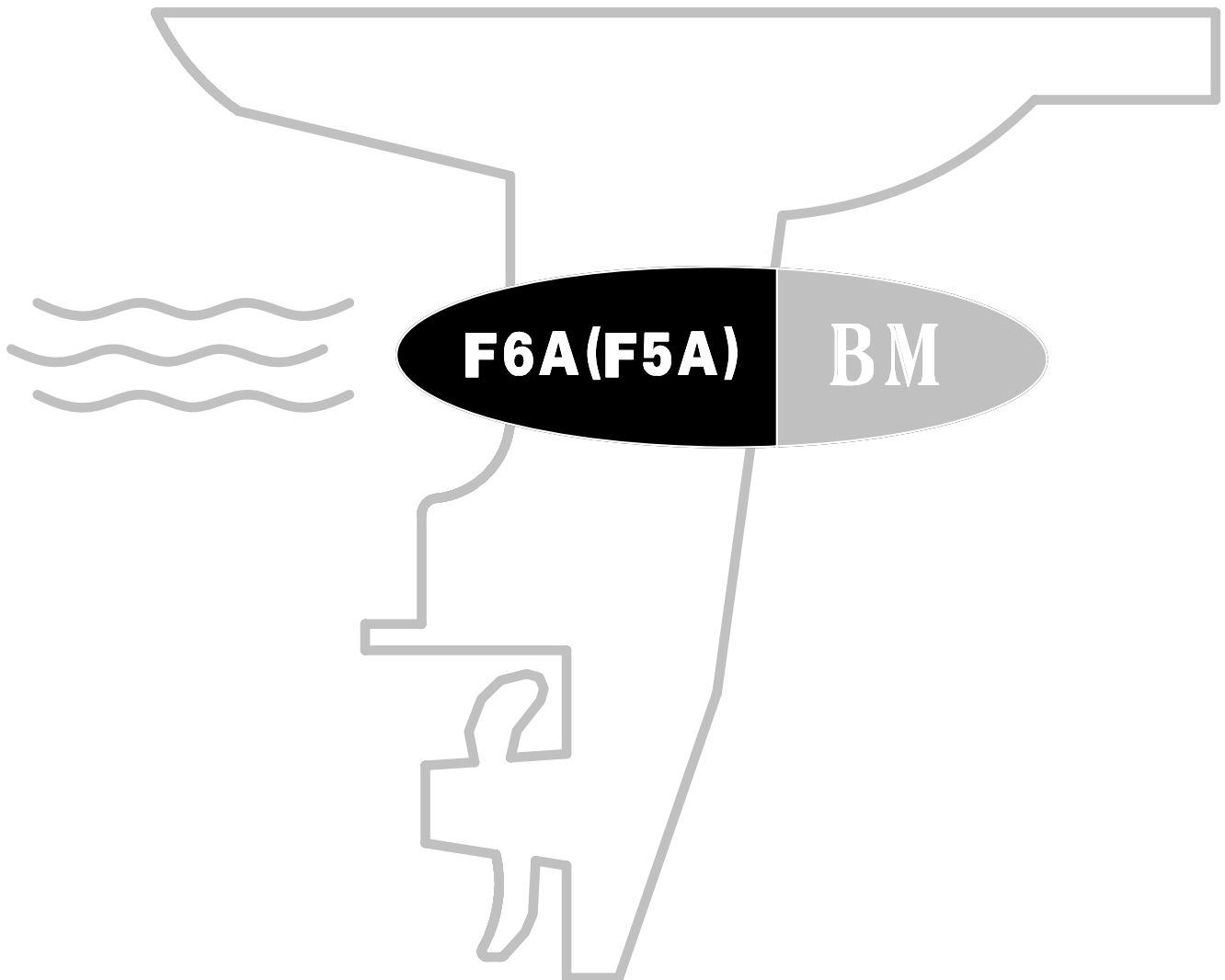


零件目录

PARTS CATALOGUE



苏州百胜动力机器有限公司

SUZHOU PARSUN POWER MACHINE CO., LTD

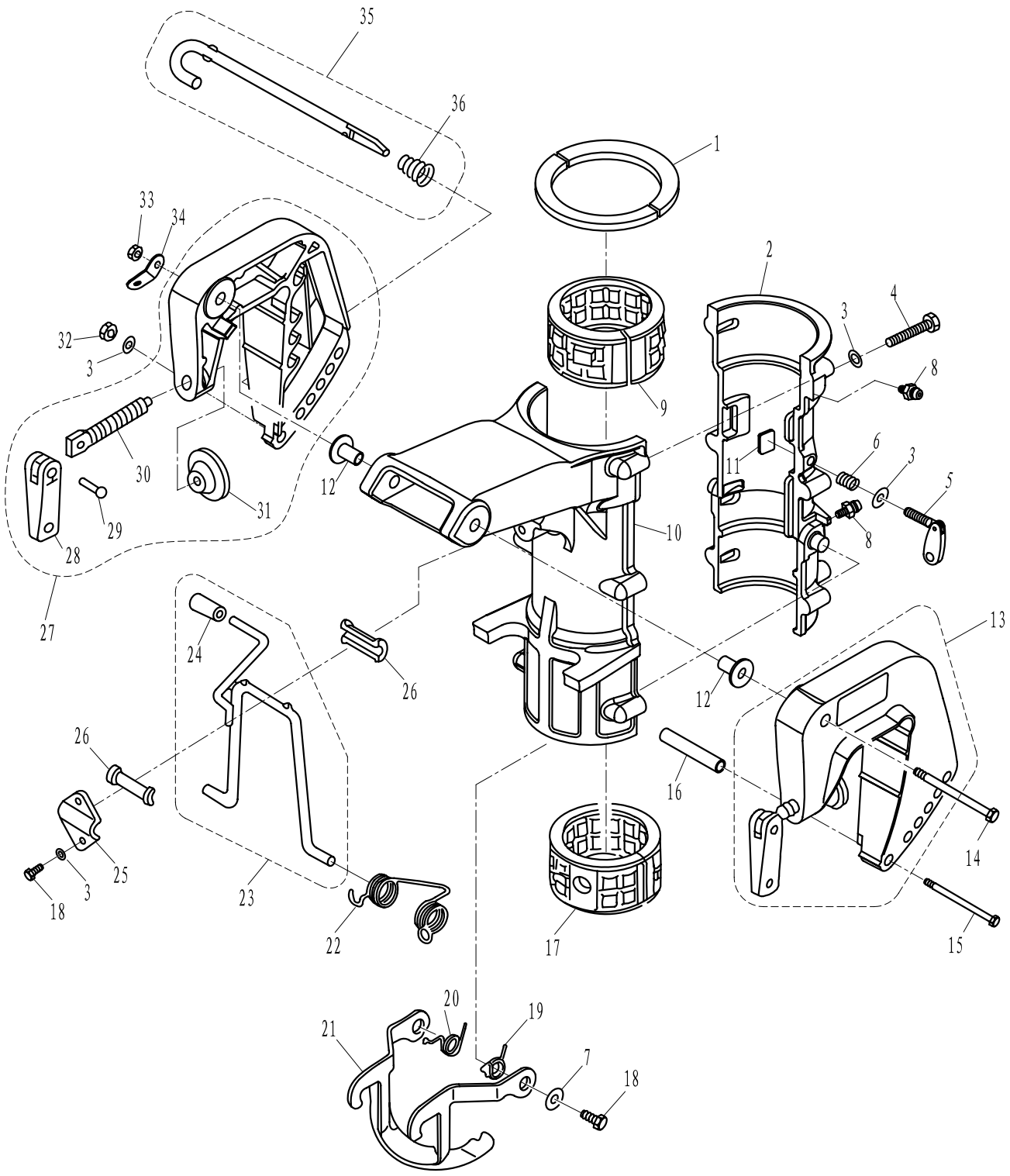
目录

CONTENTS

托架	1 ~ 2
BRACKET	1 ~ 2
操舵系统	3 ~ 4
STEERING	3 ~ 4
水上装置壳体	5 ~ 6
UPPER CASING	5 ~ 6
底罩	7
BOTTOM COWLING	7
控制系统	8 ~ 9
CONTROL SYSTEM	8 ~ 9
水下装置壳体&驱动系统	10 ~ 12
LOWER CASING & DRIVE	10 ~ 12
电气	13
ELECTRICAL	13
进气系统	14 ~ 15
INTAKE	14 ~ 15
气缸头	16 ~ 17
CYLINDER HEAD	16 ~ 17
曲轴&活塞	18
CRANKSHAFT & PISTON	18
曲轴箱	19 ~ 20
CRANKCASE	19 ~ 20
凸轮轴&阀门	21
CAMSHAFT & VALVE	21
内燃油箱	22
INNER FULE TANK	22
燃油系统	23 ~ 24
FUEL SYSTEM	23 ~ 24
起动机	25 ~ 26
STARTER	25 ~ 26
顶罩组件	27 ~ 28
TOP COWLING ASSY	27 ~ 28
化油器总成	29 ~ 30
CARBURETOR ASSY	29 ~ 30
外燃油箱	31
OUTER FUEL TANK	31
气缸头总成(修理件)	32 ~ 33
CYLINDER HEAD ASSY (REPATE KIT)	32 ~ 33
发动机头总成(修理件)	34 ~ 36
ENGINE ASSY (REPARE KIT)	34 ~ 36
附录1(修理件)	37 ~ 38
APPENDIX 1 (REPATE KIT)	37 ~ 38
附录2(修理件)	39 ~ 40
APPENDIX 2 (REPARE KIT)	39 ~ 40
零件目录检索表	I ~ II
PARTS CATALOGUE INDEX	I ~ II

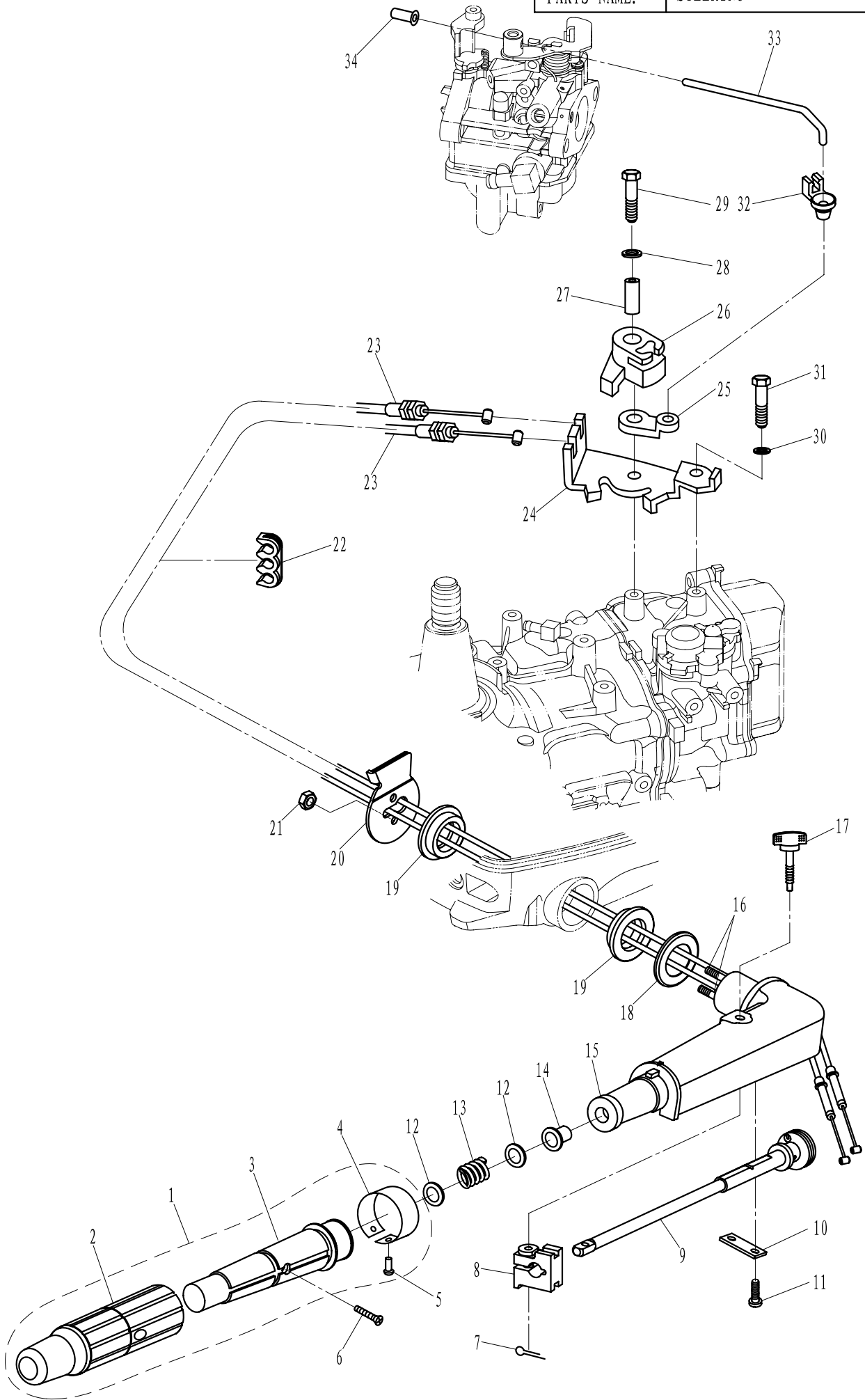
零部件名称: 托架

PARTS NAME: BRACKET



零部件名称: 操舵系统

PARTS NAME: STEERING

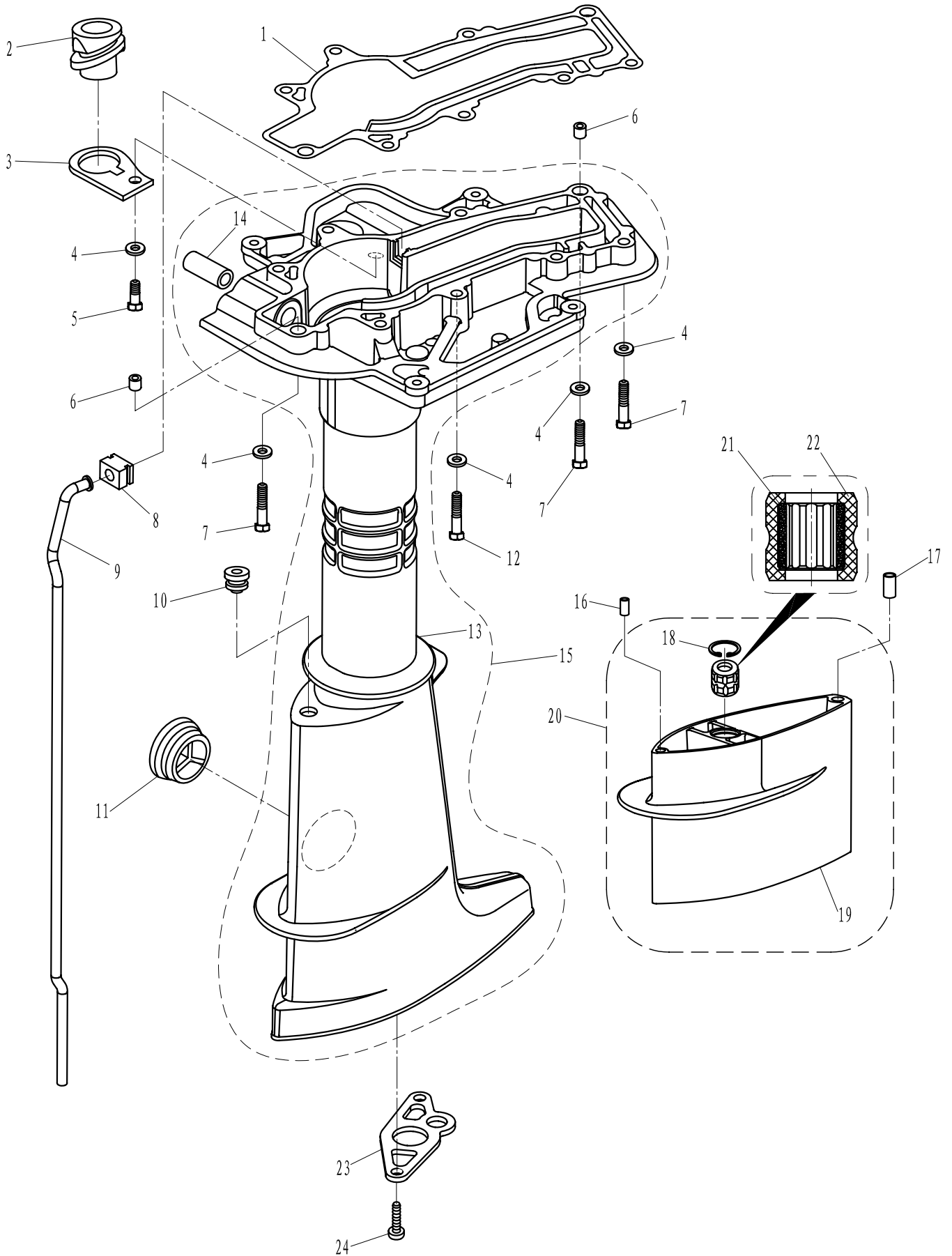


零部件名称:

水上装置壳体

PARTS NAME:

UPPER CASING

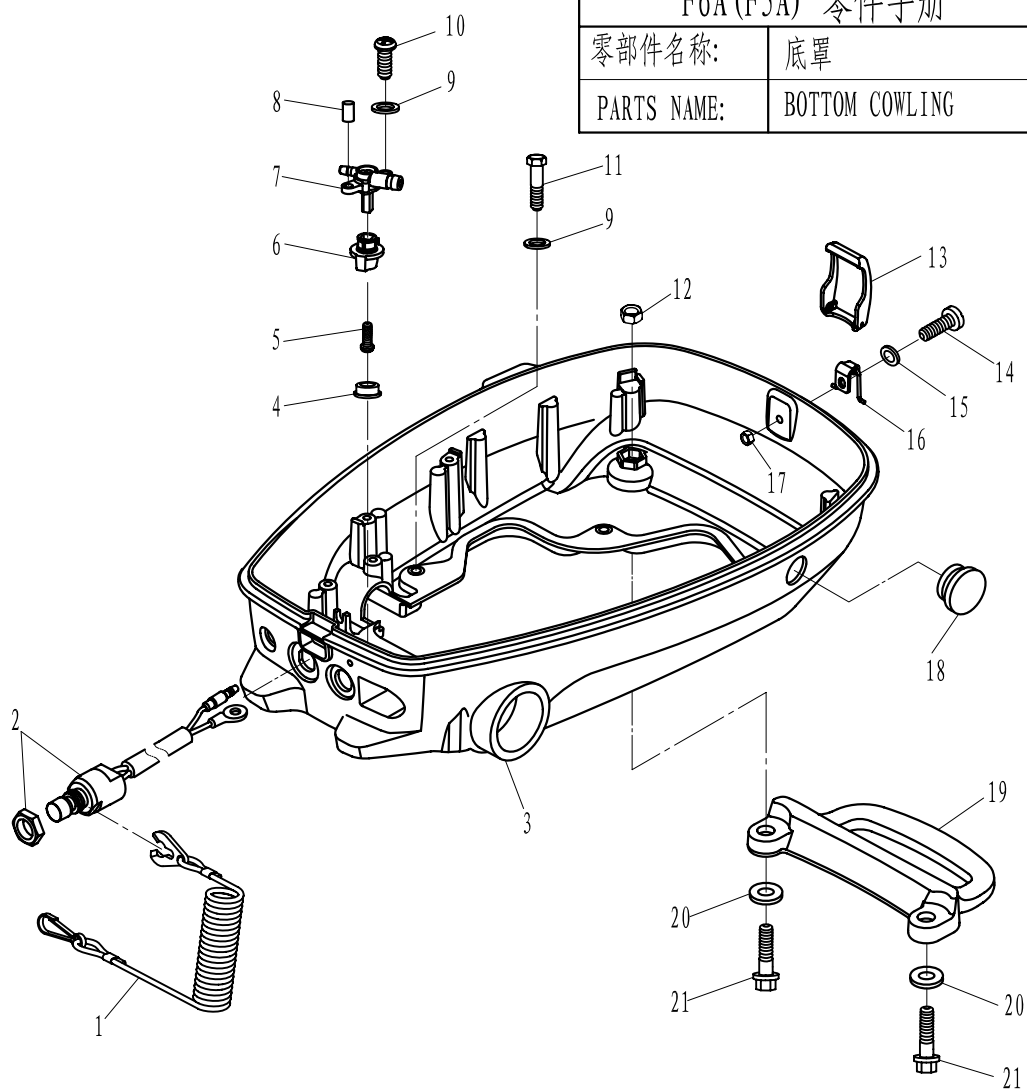


零部件名称:

底罩

PARTS NAME:

BOTTOM COWLING



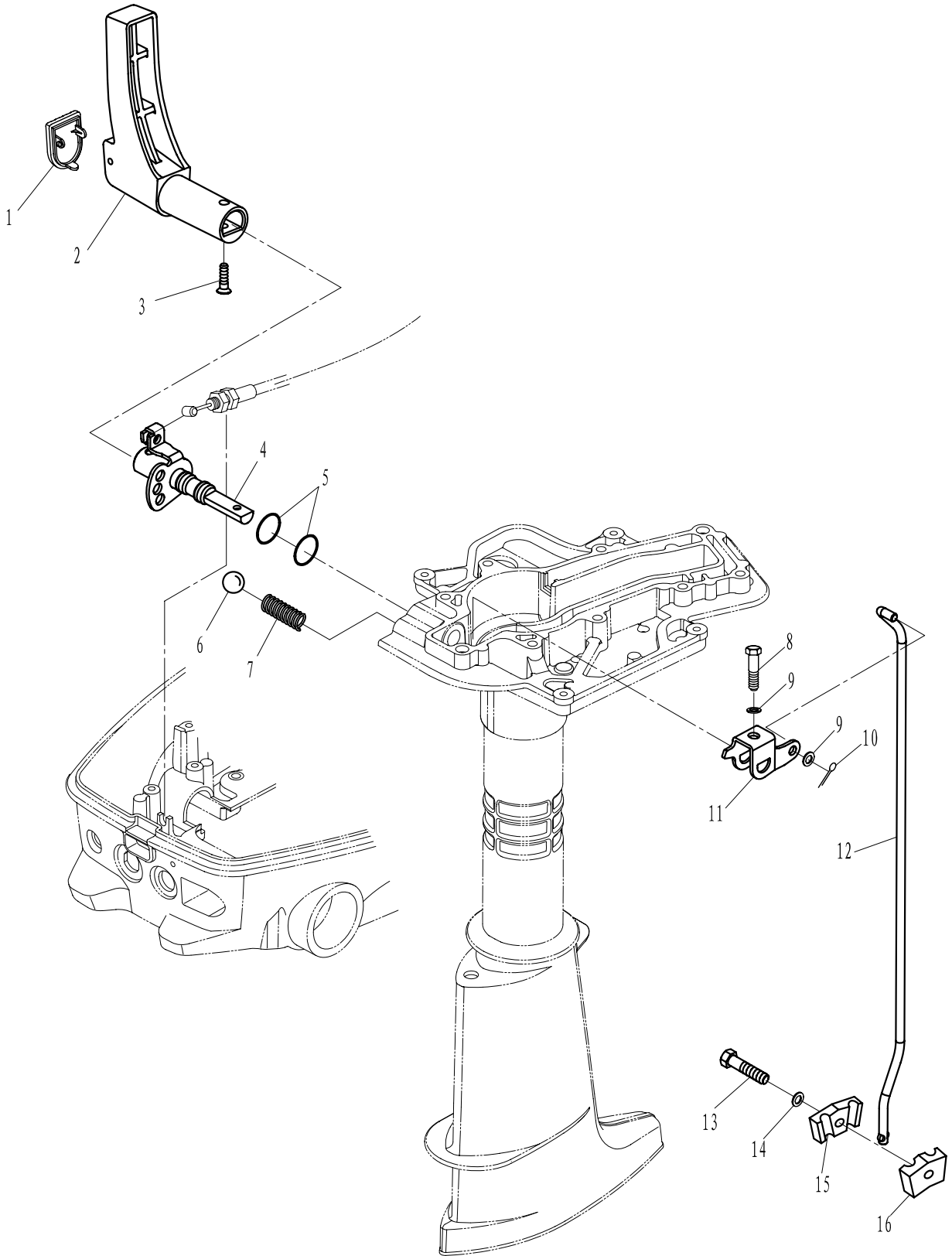
SN. 参照号码	PART NO. 零件编号	DESCRIPTION 零件名称(中文)	DESCRIPTION 零件名称(英文)	QTY 数量					REMARKS 备注
1	F4-01090401	引擎停止安全索	STOPER, HANG ROPE ASSY	1					
2	T40-01020101	急停开关组件	ENGINE STOP SWITCH ASSY	1					
3	F6-05000001	底罩	BOTTOM COWLING	1					
4	F4-05000102	旋钮堵塞	PLUG, RUBBER	1					
5	GB/T818-M4X12	十字槽盘头螺钉M4X12	SCREW M4X12	1					
6	F4-05000101	油开关旋钮	KNOP, OIL SWITCH	1					
7	F6-05000100	油开关组件	OIL SWITCH ASSY	1					
8	F15-00000006	定位销 $\phi 6 \times 12$	PIN $\phi 6 \times 12$	1					
9	GB/T97.1-6	平垫圈6	WASHER 6	5					
10	GB/T818-M6X12	十字槽盘头螺钉M6X12	SCREW M6X12	1					
11	GB/T5783-M6X20	六角螺栓M6X20	BOLT M6X20	4					
12	GB/T6170-M8	六角螺母M8	NUT M8	2					
13	F4-05000023	顶罩锁紧钩	LOCKING HOOK	1					
14	GB/T818-M5x16	十字槽盘头螺钉M5x16	SCREW M5x16	1					
15	GB/T97.1-5	平垫圈5	WASHER 5	1					
16	F4-05000020	顶罩锁紧钩座组件	SEAT, LOCKING HOOK	1					
17	GB/T889.1-M5	I型非金属嵌件六角锁紧螺母M5	LOCKING NUT M5	1					
18	F4-05000013-2	橡胶闷盖B	COVER, RUBBER	1					
19	F6-05000009	手把	HANDLE	1					
20	GB/T97.1-8	平垫圈8	WASHER 8	2					
21	F25-01010303	六角凸缘螺栓M8X20	BOLT M8X20	2					

零部件名称:

控制系统

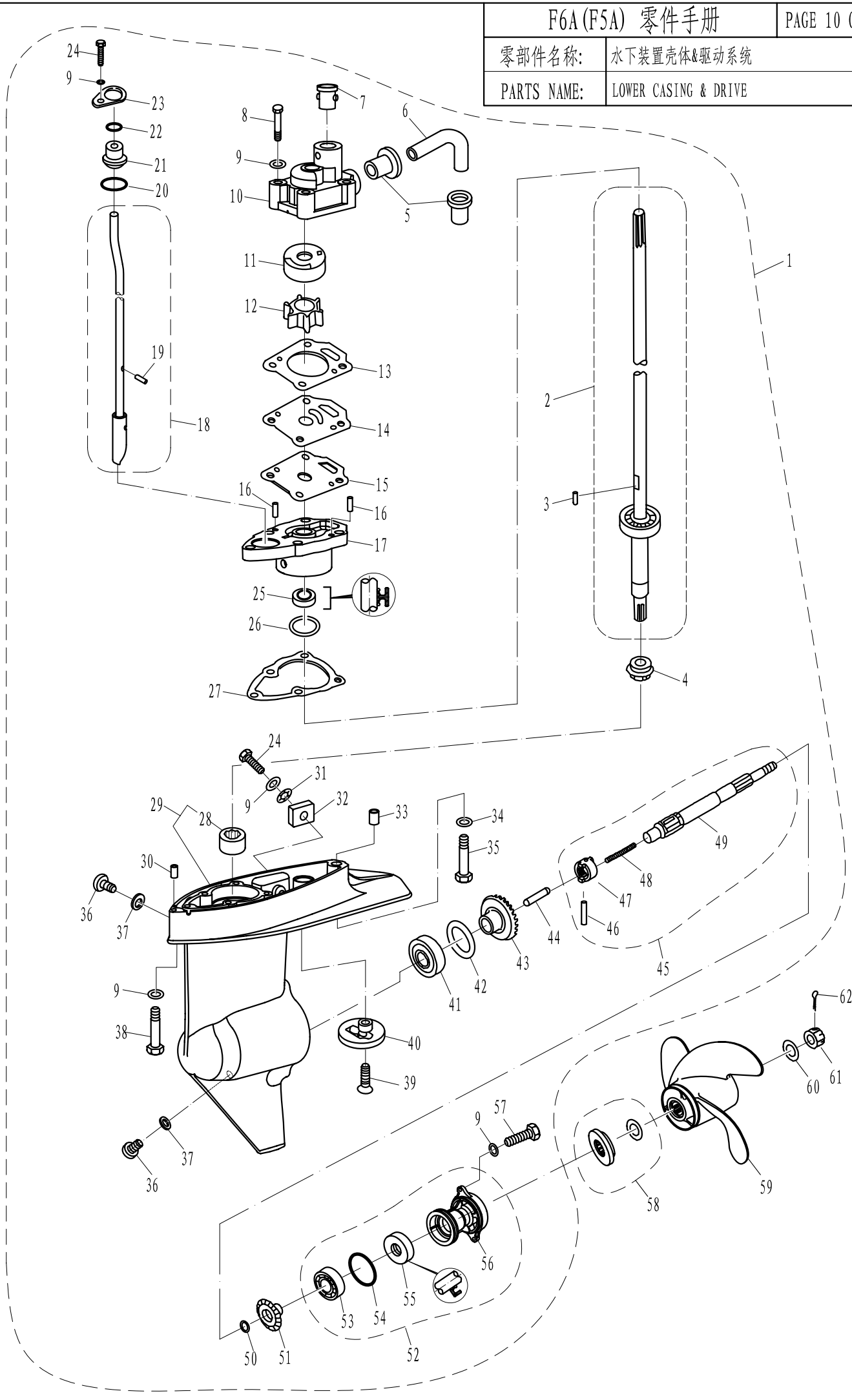
PARTS NAME:

CONTROL SYSTEM



零部件名称: 水下装置壳体&驱动系统

PARTS NAME: LOWER CASING & DRIVE



零部件名称:

水下装置壳体&驱动系统

PARTS NAME:

LOWER CASING & DRIVE

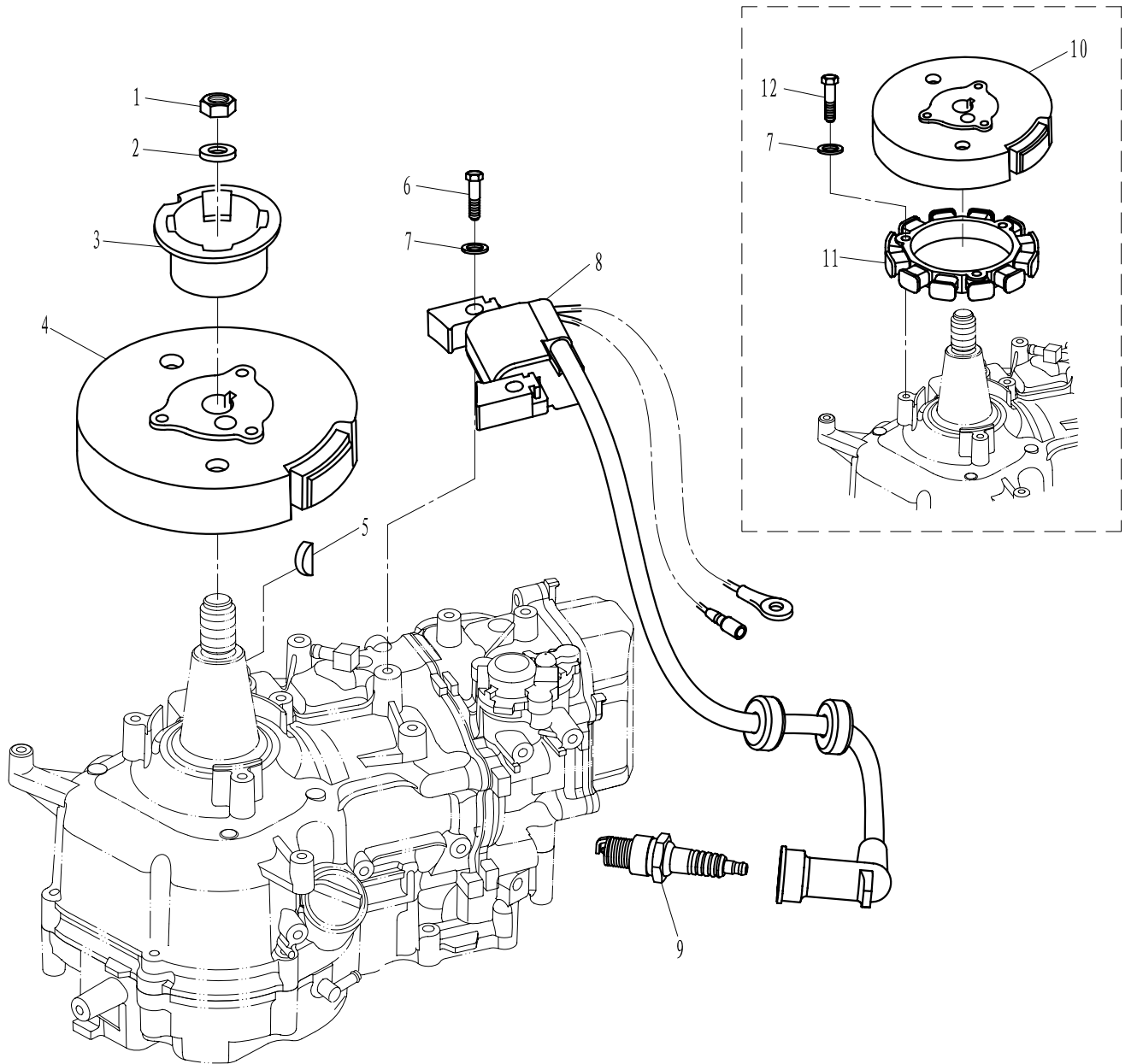
SN. 参照号码	PART NO. 零件编号	DESCRIPTION 零件名称 (中文)	DESCRIPTION 零件名称 (英文)	QTY 数量				REMARKS 备注
1	F6-03000000L	水下装置壳体总成 (L)	LOWER CASING ASSY (L)	1				L
	F6-03000000S	水下装置壳体总成 (S)	LOWER CASING ASSY (S)	1				S
2	F6-03000100 (L)	驱动轴组件 (L)	DRIVE SHAFT ASSY (L)	1				L
	F6-03000100 (S)	驱动轴组件 (S)	DRIVE SHAFT ASSY (S)	1				S
3	T5-03000009	叶轮定位销	DOWEL PIN, IMPELLER	1				
4	T5-03000003	小齿轮	PINION	1				
5	T5-03000013	水管导向套A	SEAL A, WATER PIPE	2				
6	T5-03000012	进水管B	WATER PIPE B	1				
7	T5-03000014	水管导向套B	SEAL B, WATER PIPE	1				
8	GB/T5782-M6x45	六角螺栓 M6x45	BOLT M6x45	4				
9	GB/T97.1-6	平垫圈6	WASHER 6	9				
10	F6-03000001	水泵壳体	WATER PUMP	1				
11	F6-03000002	水泵内壳	INNER SHELL, WATER PUMP	1				
12	T5-03000300	水泵叶轮	IMPELLER, WATER PUMP	1				
13	F6-03000003	外挡板上密封垫	UPPER GASKET, OUTER PLATE	1				
14	T5-03000007	外挡板	OUTER PLATE	1				
15	T5-03000006	外挡板下密封垫	LOWER GASKET, OUTER PLATE	1				
16	F25-04000007	定位销 \varnothing 4x10	PIN \varnothing 4x10	2				
17	T5-03000201	水泵座	WATER PUMP SEAT	1				
18	F6-03000200 (L)	变档凸轮轴组件 (L)	CAM ASSY, SHIFT ROD (L)	1				L
	F6-03000200 (S)	变档凸轮轴组件 (S)	CAM ASSY, SHIFT ROD (S)	1				S
19	GB/T879.2-1.5x12	轻型直槽弹性圆柱销 1.5X12	PIN 1.5x12	1				
20	JISB2401 P16	O型圈15.8x2.4	O-RING 15.8x2.4	1				
21	T5-03000020	变档轴导向套	ORIENTED BUSHING, SHIFT ROD	1				
22	T5-03000022	导向套密封圈B	SEAL B, ORIENTED BUSHING	1				
23	T5-03000023	导向套固定板	PLATE, ORIENTED BUSHING	1				
24	GB/T5783-M6x16	六角螺栓 M6x16	BOLT M6x16	2				
25	T5-03000202	水泵座油封	OIL SEAL, WATER PUMP SEAT	1				
26	T5-03000004-1	驱动轴填隙片 0.10mm	SHIM 0.10mm					
	T5-03000004-2	驱动轴填隙片 0.15mm	SHIM 0.15mm					
27	T5-03000005	水泵座密封垫	GASKET, WATER PUMP SEAT	1				
28	TLA1412Z	滚针轴承	NEEDLE BEARING	1				
29	T5-03000700	水下装置壳体组件	LOWER CASING ASSY	1				
30	T5-00000001	空心定位销 Φ 7.5x10	HOLLOW PIN Φ 7.5x10	1				
31	GB/T861.1-6	内齿锁紧垫圈6	LOCK WASHER 6	1				
32	T5-03000017	水下阳极	ANODE	1				
33	T5-00000002	空心定位销 Φ 9.5x10	HOLLOW PIN Φ 9.5x10	1				
34	GB/T97.1-8	平垫圈 8	WASHER 8	1				
35	GB/T5782-M8x40	六角螺栓 M8x40	BOLT M8x40	1				S
	GB/T5782-M8x167	六角螺栓 M8x167	BOLT M8x167	1				L
36	F4-03000023	注油孔螺栓	PLUG, OIL HOSE	2				
37	F4-03000024	注油孔螺栓密封垫	GASKET	2				
38	GB/T5782-M6x45	六角螺栓 M6x45	BOLT M6x45	1				S

零部件名称:

电气

PARTS NAME:

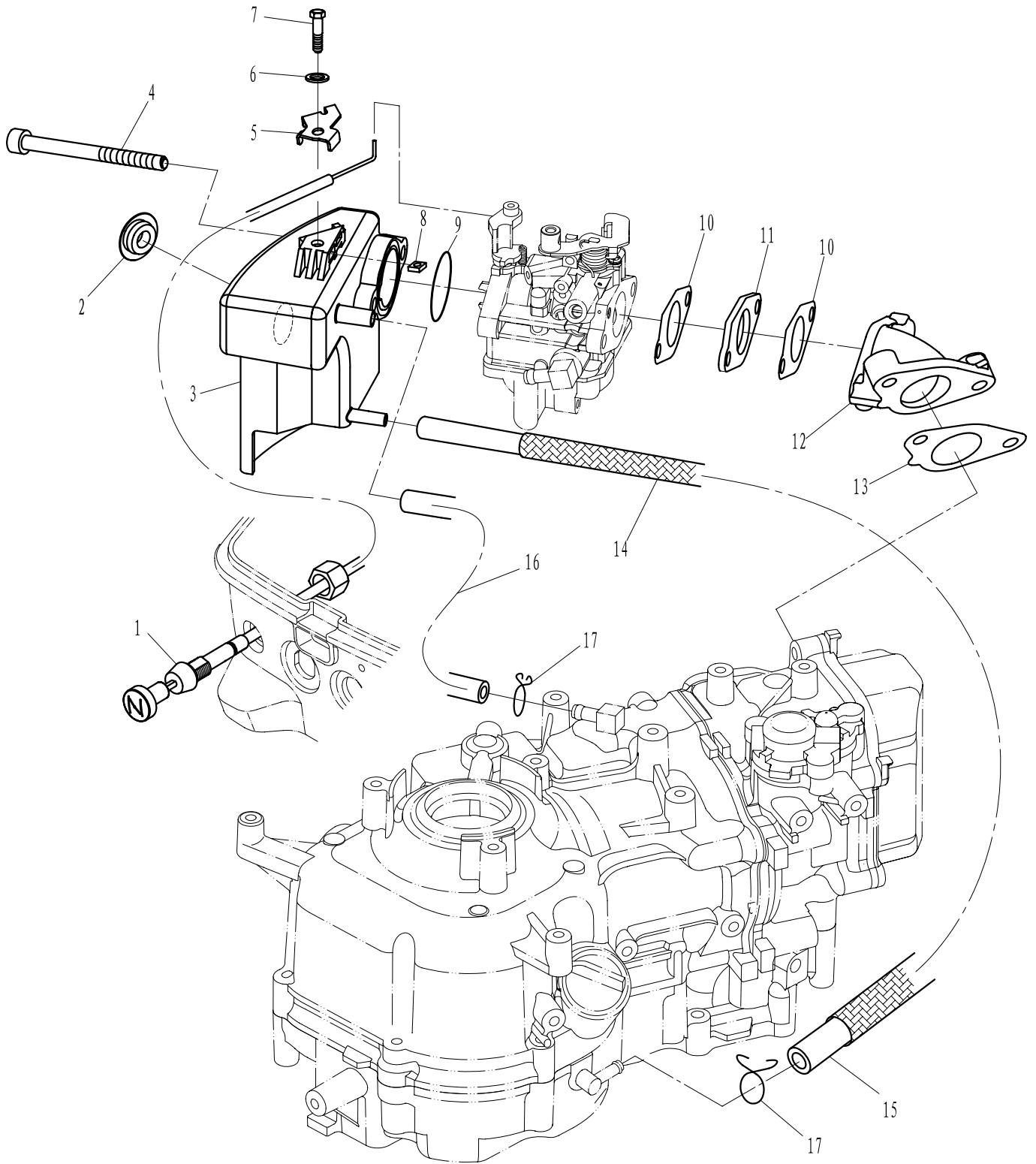
ELECTRICAL



SN. 参照号码	PART NO. 零件编号	DESCRIPTION 零件名称(中文)	DESCRIPTION 零件名称(英文)	QTY 数量					REMARKS 备注
1	F8-05000024	飞轮螺母	NUT, FLYWHELL	1					
2	T15-04000011	飞轮垫圈	WAHSER, FLYWHELL	1					
3	F6-04000029	起动轴套	PULLEY, STANTER	1					
4	F6-04000500	飞轮组件	FLYWHELL ASSY	1					
5	F4-04000019	半圆键	KEY	1					
6	GB/T5783-M6X25	六角螺栓M6X25	BOLT M6X25	2					
7	GB/T97.1-6	平垫圈6	WASHER 6	5					
8	F6-04000400	高压包组件	IGNITION COIL ASSY	1					
9	NGK CR6HSA	火花塞	SPARK PLUG	1					
10	F6-04000700A	飞轮组件	FLYWHEEL ASSY	1					
11	F6-04000800A	磁电机线圈组件	STATOR ASSY	1					LIGHTING COIL
12	GB/T5783-M6X30	六角螺栓M6X30	BOLT M6X30	3					

零部件名称: 进气系统

PARTS NAME: INTAKE

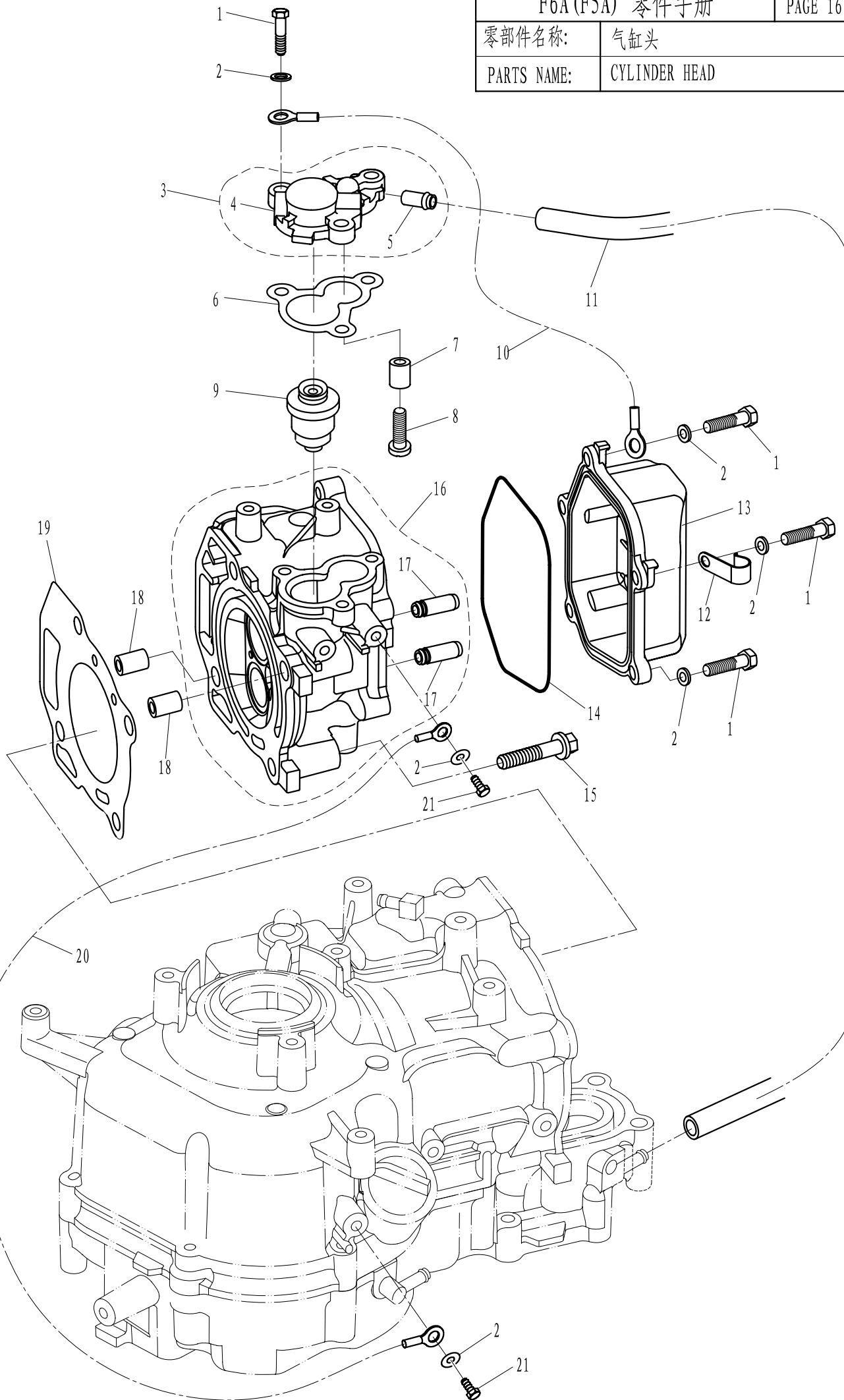


零部件名称:

气缸头

PARTS NAME:

CYLINDER HEAD

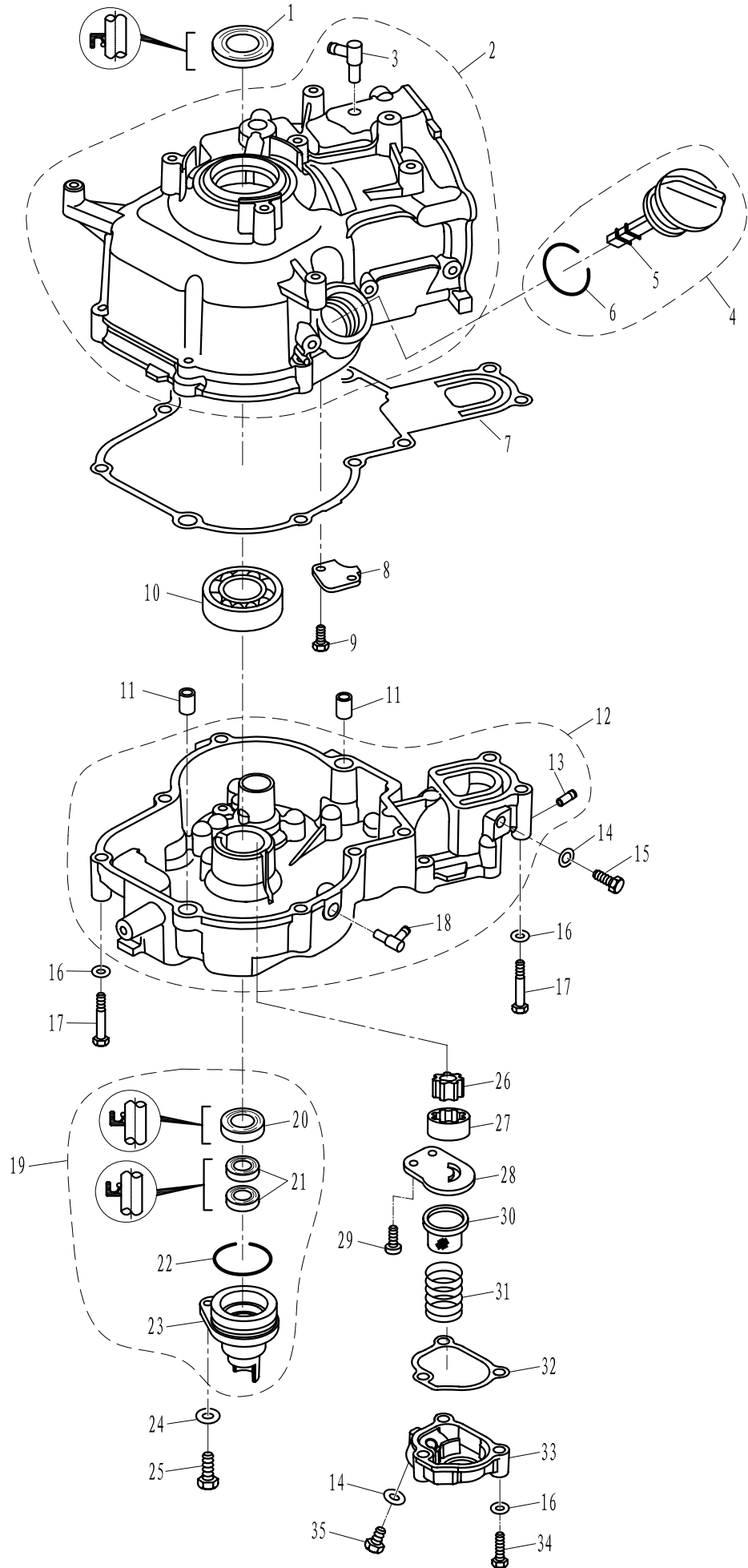


零部件名称:

曲轴箱

PARTS NAME:

CRANK CASE

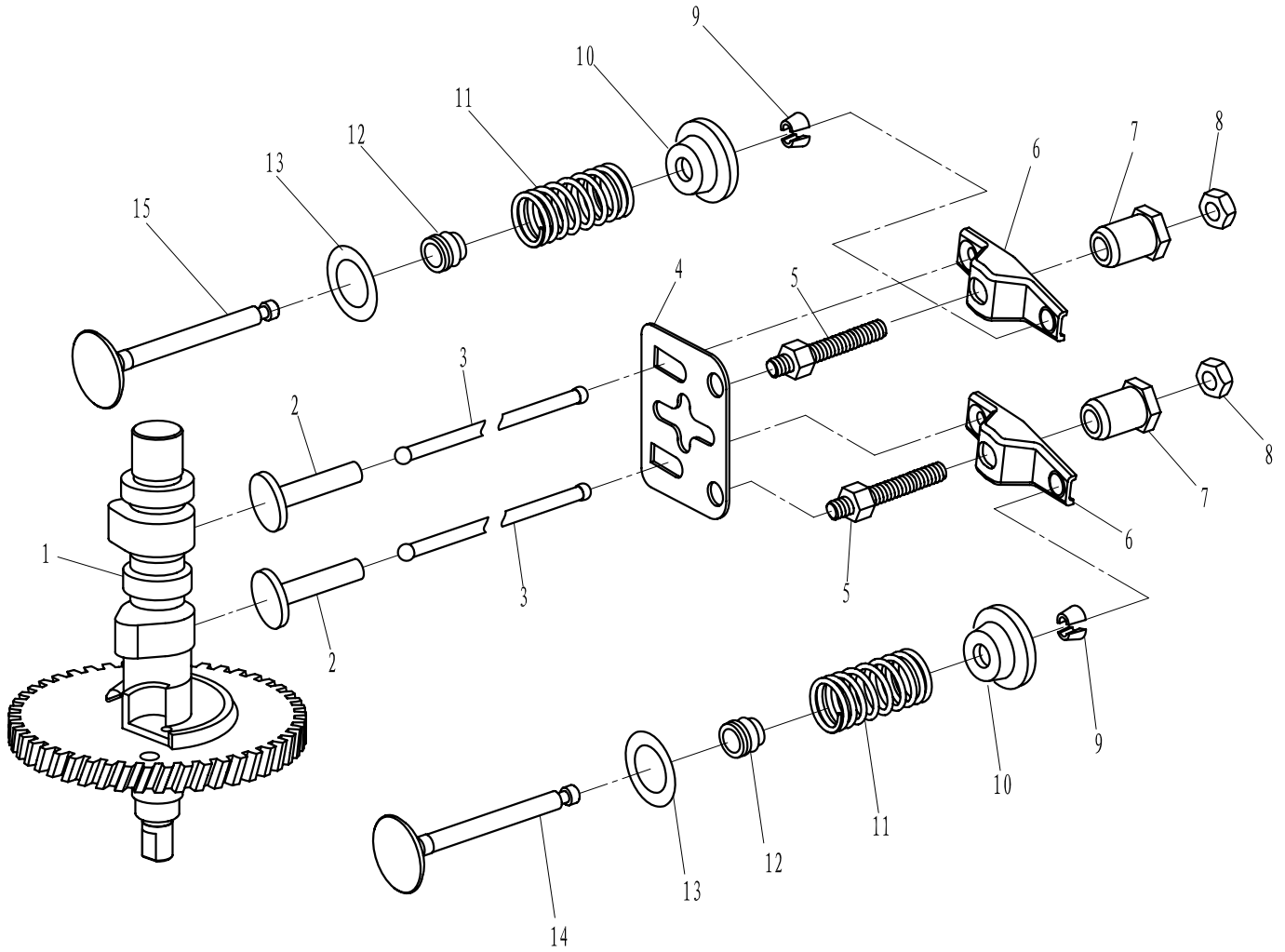


零部件名称:

凸轮轴 & 阀门

PARTS NAME:

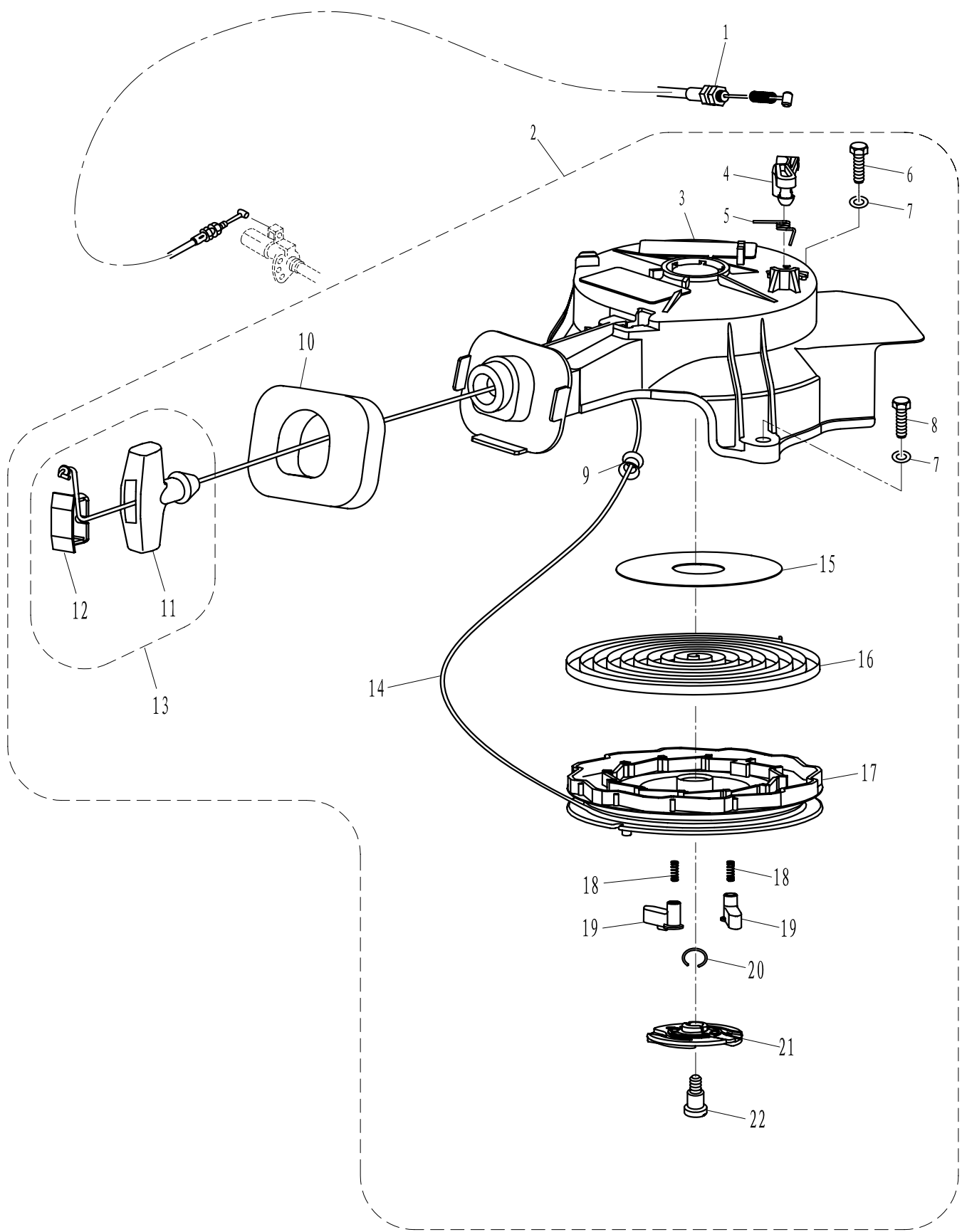
CAMSHAFT & VALVE



SN. 参照号码	PART NO. 零件编号	DESCRIPTION 零件名称(中文)	DESCRIPTION 零件名称(英文)	QTY 数量					REMARKS 备注
1	F6-04030000	凸轮减压组件	CAMSHAFT ASSY	1					
2	166F-000001	气门挺柱	LIFTER, VALVE	2					
3	F6-04000003	气门推杆	ROD, VALVE PUSH	2					
4	F6-04050004	导向板	PLATE, PUSH ROD	1					
5	166F-010008	摇臂螺杆	BOLT, ROCKER ARM	2					
6	166F-010009	摇臂	ARM, VALVE ROCKER	2					
7	166F-010010	摇臂球座	PIVOT, ROCKER ARM	2					
8	166F-010011	锁紧螺母M6X0.75	LOCKNUT M6X0.75	2					
9	F8-05030007	气门锁夹	CLAMP, VALVE	4					
10	F8-05030006	气门弹簧座圈	SEAT, VALVE SPRING	2					
11	F6-04050003	气门弹簧	SPRING, VALVE	2					
12	166F-010003	气门油封	OIL SEAL, VALVE	2					
13	F4-04080007	气门弹簧垫圈	WASHER, VALVE SPRING	2					
14	F6-04050002	排气门	DOOR, EXHAUST	1					
15	F6-04050001	进气门	DOOR, INTAKE	1					

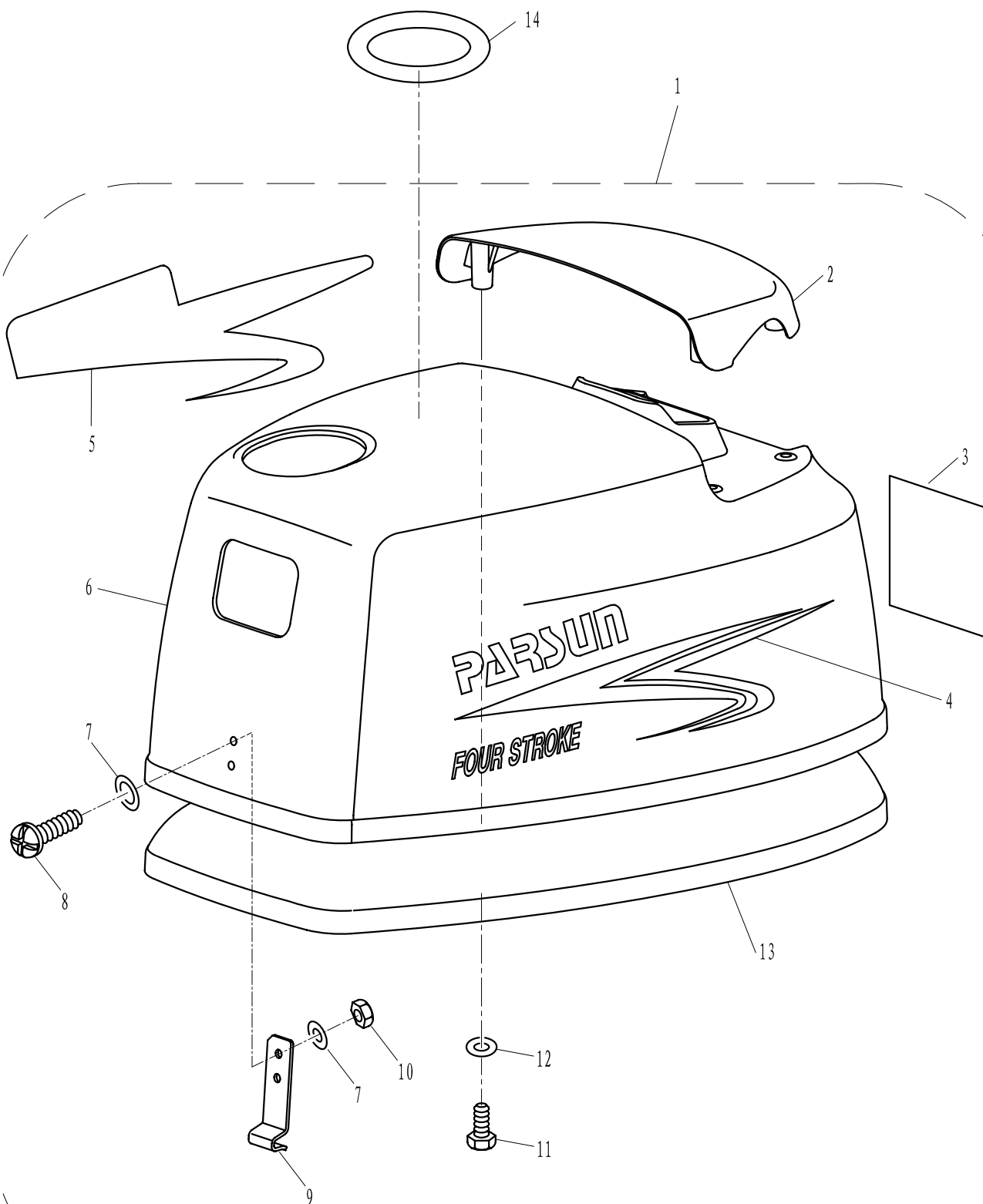
零部件名称: 起动机组件

PARTS NAME: STARTER ASSY



零部件名称: 顶罩组件

PARTS NAME: TOP COWLING ASSY

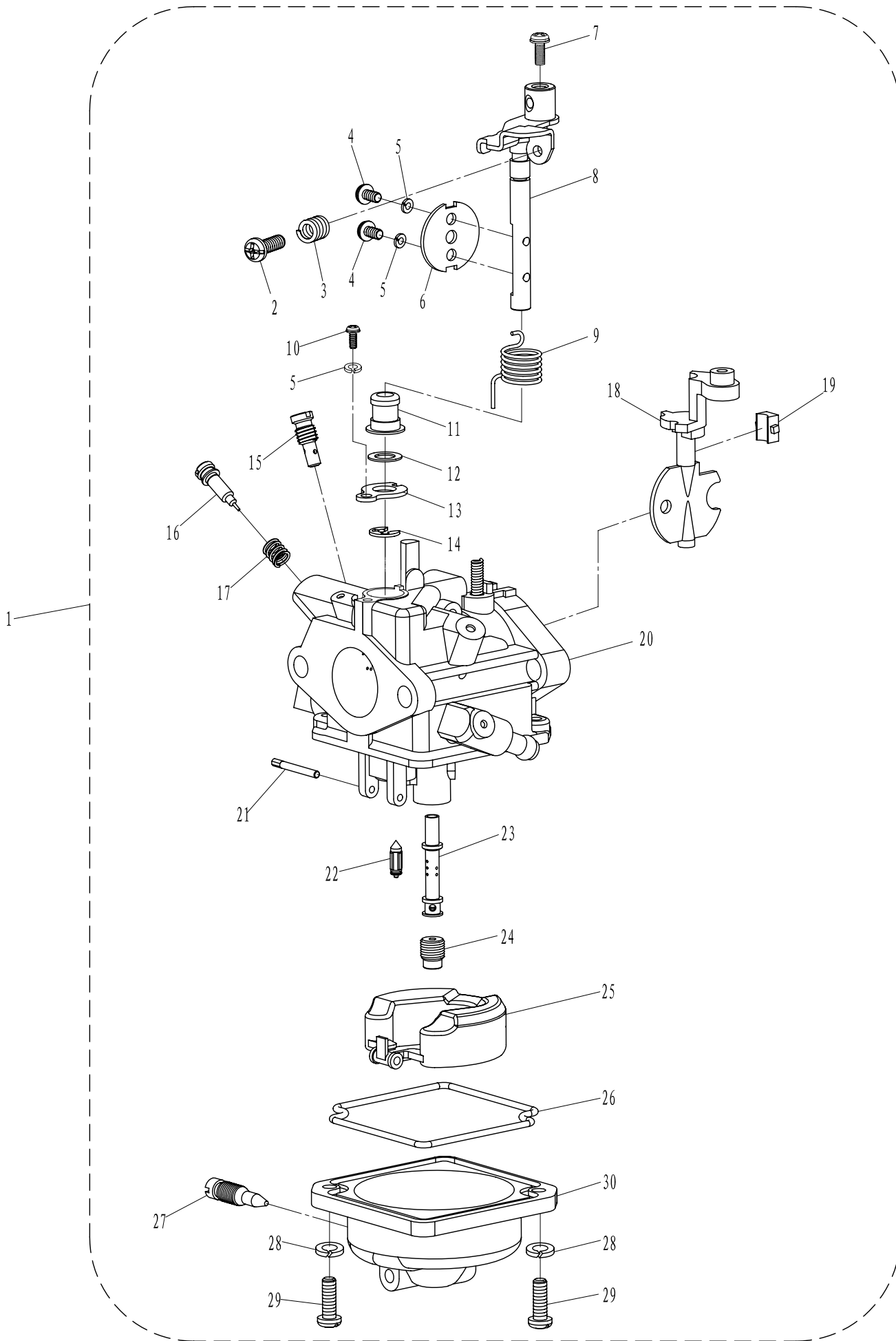


零部件名称:

化油器总成

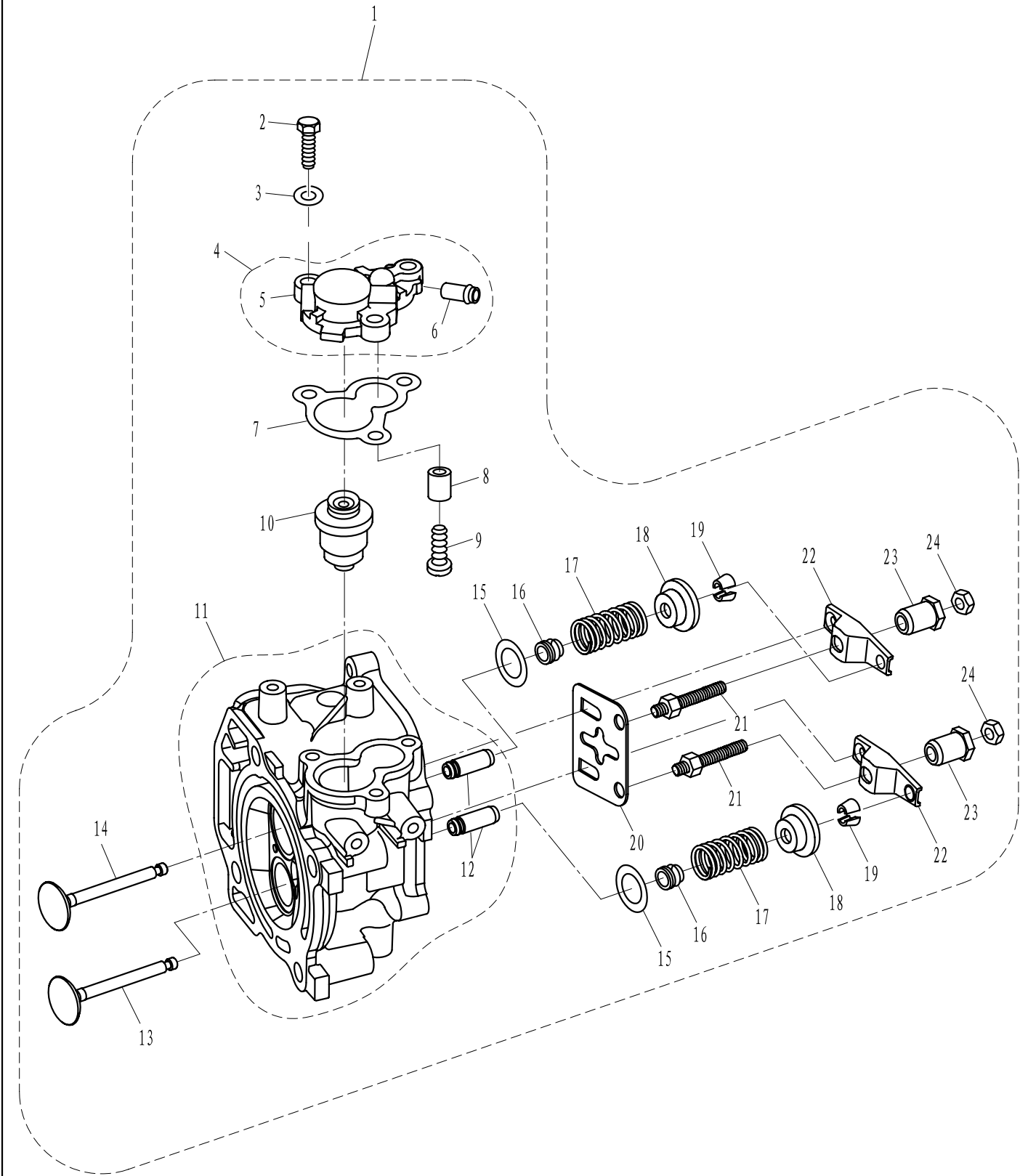
PARTS NAME:

CARBURETOR ASSY



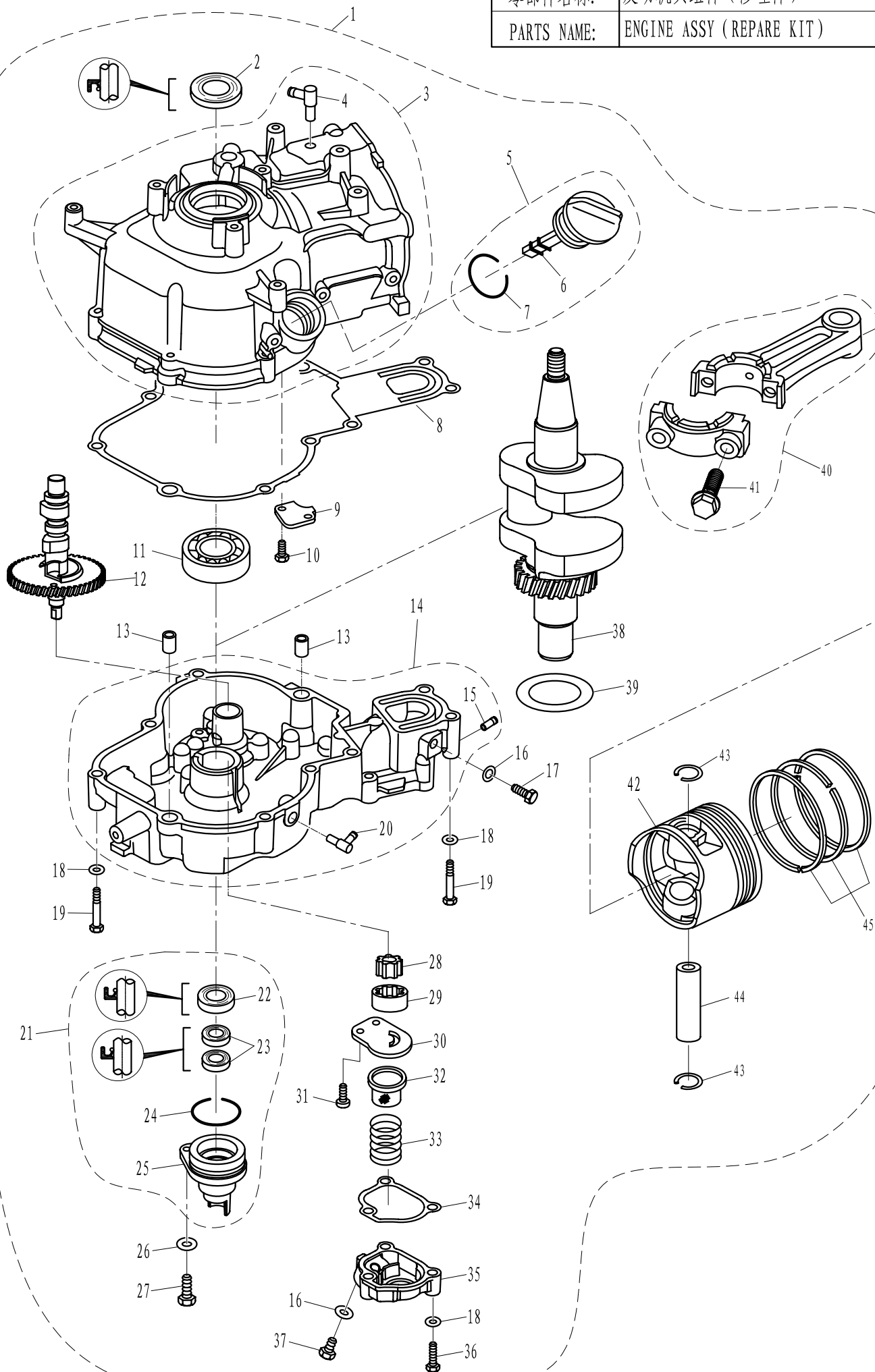
零部件名称: 气缸头总成(维修件)

PARTS NAME: CYLINDER HEAD ASSY (REPAIR KIT)



零部件名称: 发动机头组件 (修理件)

PARTS NAME: ENGINE ASSY (REPAIR KIT)



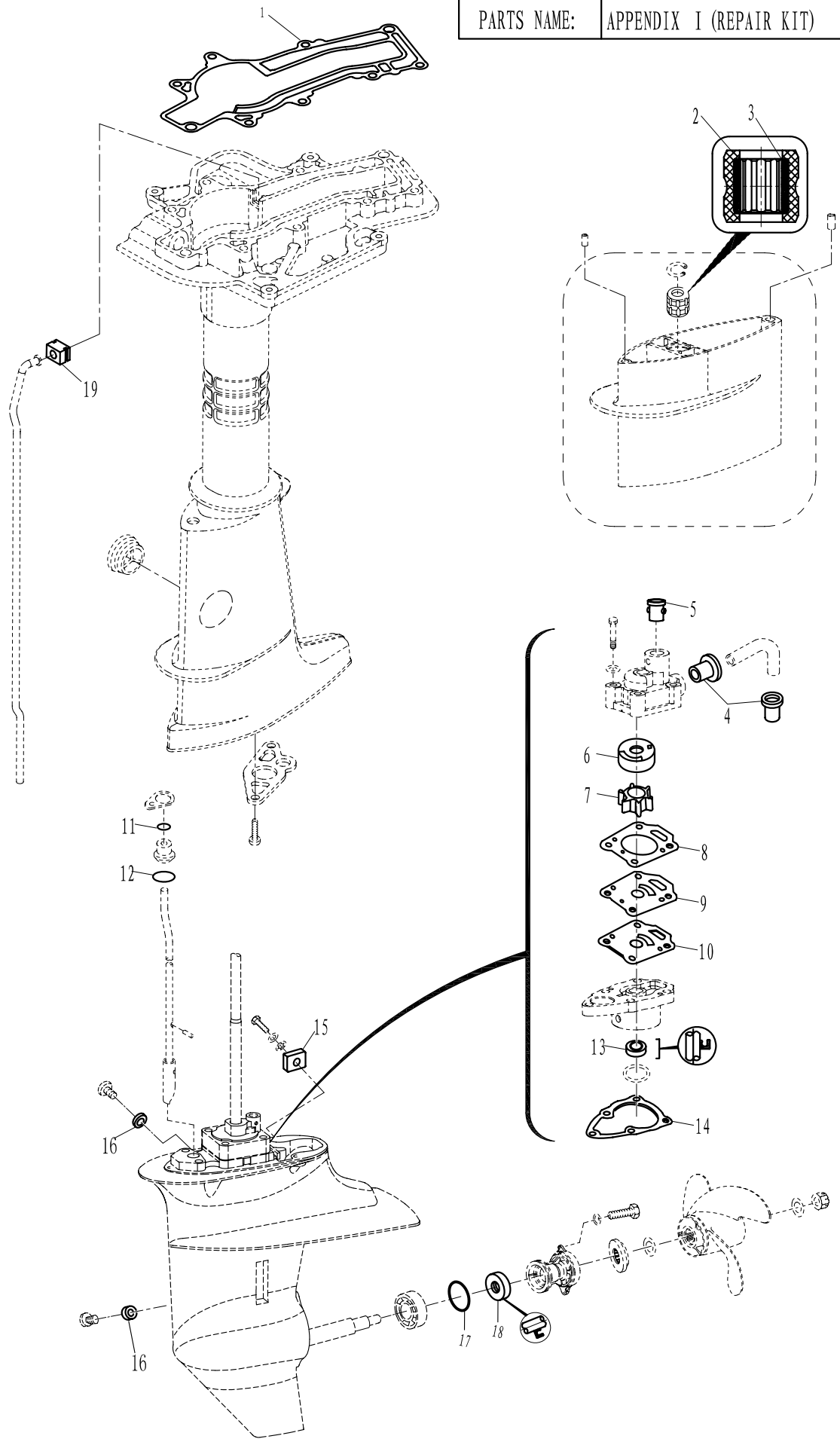
零部件名称: 发动机头组件 (修理件)

PARTS NAME: ENGINE ASSY (REPAIR KIT)

SN. 参照号码	PART NO. 零件编号	DESCRIPTION 零件名称 (中文)	DESCRIPTION 零件名称 (英文)	QTY 数量					REMARKS 备注
1	F6-04000000	发动机头组件	ENGINE ASSY	1					
2	F4-04010004	曲轴油封A 25x40x5	OIL SEAL	1					
3	F6-04010100	曲轴箱体组件	CRANK CASE ASSY	1					
4	F8-05000700	气嘴组件	GAS NIPPLE ASSY	1					
5	F4-04000010	带尺机油盖组件	PLUG WITH DIPSTICK ASSY	1					
6	F4-04000007	带尺机油盖	PLUG WITH DIPSTICK	1					
7	F4-04000008	机油盖阻油圈	O-RING	1					
8	F6-04000001	曲轴箱体复合垫	COMPLEX GASKET, CRANKCASE	1					
9	F6-04010004	挡油板	OIL BAFFLE PLATE	1					
10	GB/T5783-M5x10	六角螺栓 M5x10	BOLT M5x10	2					
11	6205C3	深沟球轴承6205C3	BEARING 6205C3	1					
12	F6-04030000	凸轮减压组件	CAMSHAFT ASSY	1					
13	F4-04000003	空心定位销 $\phi 10 \times 8.4 \times 14$	HOLLOW PIN $\phi 10 \times 8.4 \times 14$	2					
14	F6-04040100	曲轴箱盖组件	COVER, CRANK CASE	1					
15	F4-04010102	气嘴	GAS NIPPLE	1					
16	F4-04000006	放油螺栓密封垫	WASHER	2					
17	GB/T5783-M8x14	六角螺栓 M8x14	BOLT M8x14	1					
18	GB/T97.1-6	平垫圈 6	WASHER 6	13					
19	T6-05000021	发动机螺栓 M6x50	BOLT M6x50	10					
20	F15-04000005	水嘴	WATER NIPPLE	1					
21	F6-04080000	油封壳体组件	OIL SEAL SHELL ASSY	1					
22	F2.6-04010001	曲轴油封(B) 20x30x7	OIL SEAL 20x30x7	1					
23	F6-04080001	驱动轴上油封 10.1x21x7	OIL SEAL 10.1x21x7	2					
24	GB/T345.2- $\phi 32.5 \times \phi 1.8$	O形圈 $\phi 32.5 \times \phi 1.8$	O RING $\phi 32.5 \times \phi 1.8$	1					
25	F4-04060001	油封壳体	SHELL, OIL SEAL	1					
26	GB/T97.1-8	平垫圈 8	WASHER 8	1					
27	GB/T5783-M8x20	六角螺栓 M8x20	BOLT M8x20	1					
28	F6-04040002	机油泵内转子	INNER ROTOR, OIL PUMP	1					
29	F6-04040003	机油泵外转子	OUTER ROTOR, OIL PUMP	1					
30	F6-04040004	油泵盖板	COVER BOARD, OIL PUMP	1					
31	GB/T818-M6x10	十字槽盘头螺栓 M6x10	BOLT M6x10	2					
32	F6-04040006	油泵滤网	STRAINER, OIL PUMP	1					
33	F6-04040007	油泵弹簧	SPRING, OIL PUMP	1					
34	F6-04040005	油泵密封垫	GASKET, OIL PUMP	1					
35	F6-04040008	油泵盖	COVER, OIL PUMP	1					
36	GB/T5783-M6x35	六角螺栓 M6x35	BOLT M6x35	3					
37	F6-04040009	放油螺栓	BOLT	1					
38	F6-04000100	曲轴组件	CRANK ASSY	1					
39	F4-04000004	箱盖减磨圈	WASHER	1					
40	F6-04020100	连杆组件	ROD, CONNECTING	1					
41	F4-04020103	连杆螺栓 M7x35	BOLT M7x35	2					
42	F6-04020001	活塞	PISTON	1					
43	F6-04020004	活塞销卡簧	CIRCLIP	2					

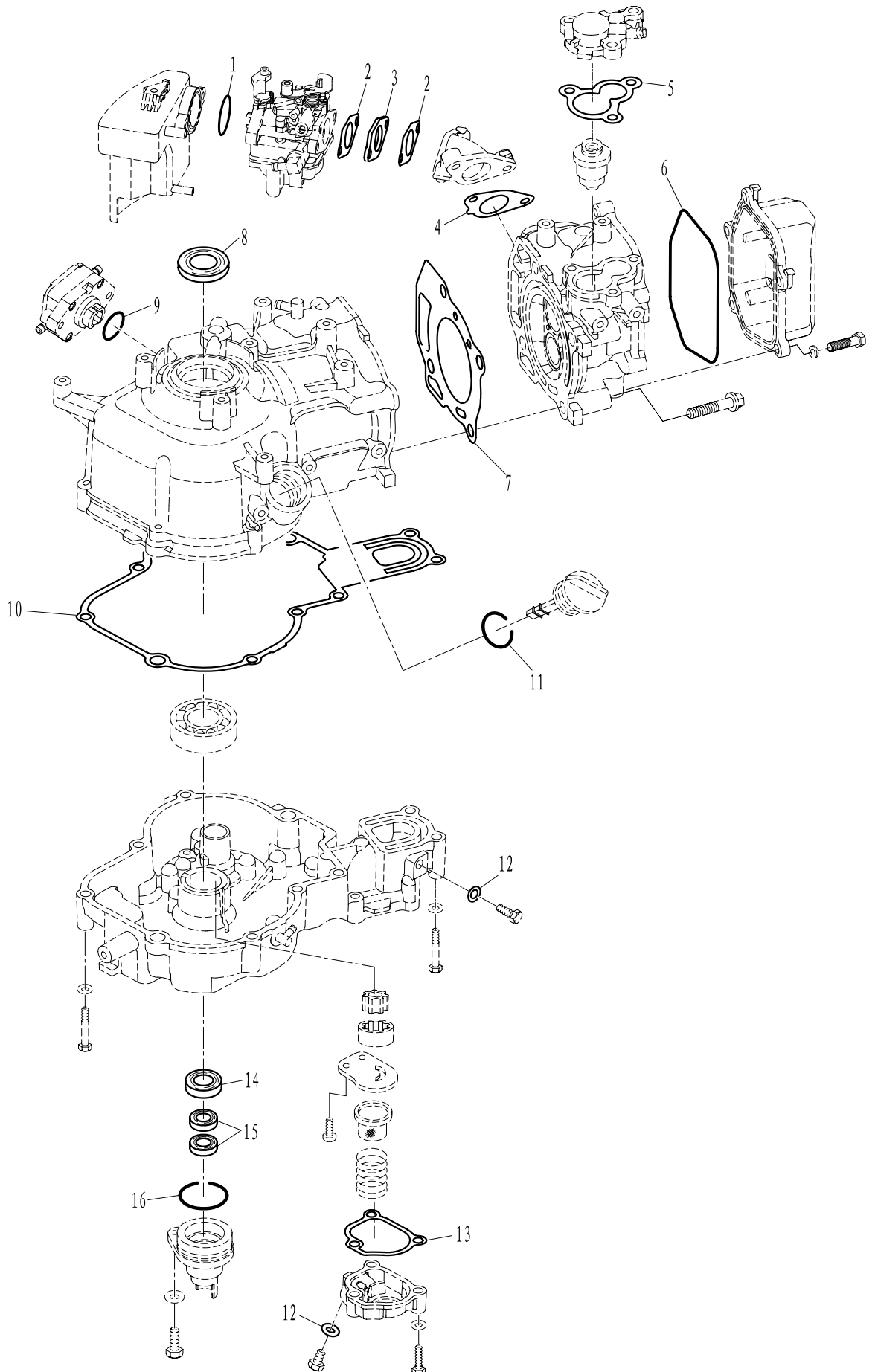
零部件名称: 附件 I (修理件)

PARTS NAME: APPENDIX I (REPAIR KIT)



零部件名称: 附件 II (修理件)

PARTS NAME: APPENDIX II (REPAIR KIT)



名称:

零件目录检索表

NAME:

PARTS CATALOGUE INDEX

零件代号 PART NO.	页码/序号 PAGE/NO.	零件代号 PART NO.	页码/序号 PAGE/NO.	零件代号 PART NO.	页码/序号 PAGE/NO.
166F-000001	21-2	F4-03000024	11-37	F4-05000007	24-7
166F-010003	21-12	F4-04000003	17-18	F4-05000010	22-11
166F-010008	21-5	F4-04000003	20-11	F4-05000013-2	7-18
166F-010009	21-6	F4-04000004	18-2	F4-05000020	7-16
166F-010010	21-7	F4-04000006	20-14	F4-05000023	7-13
166F-010011	21-8	F4-04000007	20-5	F4-05000101	7-6
6205C3	20-10	F4-04000008	20-6	F4-05000102	7-4
F15-00000006	7-8	F4-04000010	20-4	F4-05000200	24-2
F15-04000005	20-18	F4-04000011	17-6	F4-05000300	24-10
F15-05000011	24-8	F4-04000019	13-5	F6-00000001	6-1
F15-06000016	12-61	F4-04000030	15-17	F6-01000001	4-19
F15-07000016	4-32	F4-04000030	24-5	F6-01000002	4-18
F15-07000031	17-9	F4-04000034	17-15	F6-01000003	4-20
F2.6-00000001	9-15	F4-04010004	20-1	F6-01010001	2-10
F2.6-00000002	9-16	F4-04010102	17-5	F6-01010101	2-2
F2.6-01050002	2-6	F4-04010102	20-13	F6-01020001	4-15
F2.6-01050100	2-5	F4-04020103	18-3	F6-01020100	4-9
F2.6-03020003L	6-22	F4-04060001	20-23	F6-01020200	4-23
F2.6-04010001	20-20	F4-04070000	17-3	F6-02000001(L/S)	6-9
F25-01010303	7-21	F4-04070001	17-4	F6-02000002	9-12
F25-04000007	11-16	F4-04070003	17-7	F6-02000003	6-2
F25-05000016	4-22	F4-04080007	21-13	F6-02000004	6-3
F4-00000001	6-6	F4-04080102	17-17	F6-02000005	9-2
F4-00000005	9-14	F4-04090000	24-15	F6-02000005-1	9-1
F4-01000002	2-34	F4-04090009	24-16	F6-02000100	6-15
F4-01000003	2-12	F4-04110003	15-2	F6-02000101	6-13
F4-01010000	2-13	F4-04120001	22-1	F6-02000200	9-4
F4-01010002	2-30	F4-04120002	22-9	F6-03000000(L/S)	11-1
F4-01010003	2-31	F4-04120003	22-10	F6-03000001	11-10
F4-01010004	2-28	F4-04120005	22-13	F6-03000002	11-11
F4-01010005	2-29	F4-04120100	22-2	F6-03000003	11-13
F4-01020000	2-27	F4-04120103	22-3	F6-03000100(L/S)	11-2
F4-01030103	2-24	F4-04120104	22-6	F6-03000200(L/S)	11-18
F4-01050002	2-36	F4-04120105	22-4	F6-03010000	12-59
F4-01090003	4-8	F4-04120106	22-5	F6-04000001	20-7
F4-01090006	4-14	F4-04130003	26-19	F6-04000002	17-19
F4-01090007	4-13	F4-04130004	26-18	F6-04000003	21-3
F4-01090200	4-17	F4-04130005	26-16	F6-04000004	17-13
F4-01090300	4-1	F4-04130006	26-21	F6-04000005	17-14
F4-01090301	4-3	F4-04130007	26-20	F6-04000009	17-10
F4-01090302	4-2	F4-04130008	26-22	F6-04000010	15-13
F4-01090303	4-4	F4-04130009	26-4	F6-04000011	15-12
F4-01090401	7-1	F4-04130010	26-5	F6-04000012	15-10
F4-02000002	6-14	F4-04130011	26-14	F6-04000013	15-11
F4-02000003	9-7	F4-04130013	26-9	F6-04000014	15-5
F4-02000006	9-11	F4-04130014	26-15	F6-04000016	24-14
F4-02000011	6-10	F4-04130019	26-17	F6-04000017	24-11
F4-02000012	6-11	F4-04130100	26-13	F6-04000018	24-13
F4-02040002	6-8	F4-04130101	26-11	F6-04000019	15-16
F4-03000023	11-36	F4-04130102	26-12	F6-04000020	17-11

名称:

零件目录检索表

NAME:

PARTS CATALOGUE INDEX

零件代号 PART NO.	页码/序号 PAGE/NO.	零件代号 PART NO.	页码/序号 PAGE/NO.	零件代号 PART NO.	页码/序号 PAGE/NO.
F6-0400022	4-24	F6-04060012	30-17	T5-0000002	11-33
F6-0400023	4-26	F6-04060013	30-15	T5-0000002	6-17
F6-0400024	4-25	F6-04060014	30-22	T5-01010002	2-22
F6-0400025	4-27	F6-04060015	30-25	T5-01010003	2-1
F6-0400027	4-33	F6-04060016	30-21	T5-01010004	2-9
F6-0400028	4-34	F6-04060017	30-23	T5-01010005	2-17
F6-0400029	13-3	F6-04060018	30-24	T5-01010006	2-20
F6-04000100	18-1	F6-04060019	30-30	T5-01010007	2-19
F6-04000200	15-3	F6-04060020	30-26	T5-01010100	2-11
F6-04000301	15-15	F6-04060021	30-27	T5-01010300	2-21
F6-04000302	15-14	F6-04060100	30-8	T5-01010400	2-23
F6-04000400	13-8	F6-04070000	26-2	T5-02000008	6-24
F6-04000500	13-4	F6-04070001	26-3	T5-02010000	6-20
F6-04000600	24-12	F6-04070003	26-10	T5-02010001	6-19
F6-04000700A	13-10	F6-04080000	20-19	T5-02010002	6-21
F6-04000800A	13-11	F6-04080001	20-21	T5-03000003	11-4
F6-04010004	20-8	F6-05000001	7-3	T5-03000004	11-26
F6-04010100	20-2	F6-05000002	24-6	T5-03000005	11-27
F6-04020001	18-7	F6-05000003	22-12	T5-03000006	11-15
F6-04020002	18-8	F6-05000006	24-1	T5-03000007	11-14
F6-04020003	18-6	F6-05000009	7-19	T5-03000009	11-3
F6-04020004	18-5	F6-05000010	26-1	T5-03000012	11-6
F6-04020100	18-4	F6-05000100	7-7	T5-03000013	11-5
F6-04030000	21-1	F6-05000200	15-1	T5-03000014	11-7
F6-04040002	20-26	F6-05010000	24-9	T5-03000015	12-50
F6-04040003	20-27	F6-06000000	28-1	T5-03000016	12-40
F6-04040004	20-28	F6-06000001	28-6	T5-03000017	11-32
F6-04040005	20-32	F6-06000002	28-13	T5-03000020	11-21
F6-04040006	20-30	F6-06000004	28-2	T5-03000022	11-22
F6-04040007	20-31	F8-01010001	2-16	T5-03000023	11-23
F6-04040008	20-33	F8-01010103	2-26	T5-03000201	11-17
F6-04040009	20-35	F8-01010105	2-25	T5-03000202	11-25
F6-04040100	20-12	F8-01010200	2-35	T5-03000300	11-12
F6-04050001	21-15	F8-04000002	12-42	T5-03000400	12-45
F6-04050002	21-14	F8-04040004	12-55	T5-03000401	12-49
F6-04050003	21-11	F8-05000024	13-1	T5-03000402	12-48
F6-04050004	21-4	F8-05000700	20-3	T5-03000403	12-47
F6-04050100	17-16	F8-05030006	21-10	T5-03000404	12-44
F6-04060000	30-1	F8-05030007	21-9	T5-03000500	12-52
F6-04060001	30-20	JB/T9740.1-95	2-8	T5-03000501	12-56
F6-04060002	30-9	JIS B 2401 P16	11-20	T5-03000600	12-51
F6-04060003	30-11	JISB2401 P9	9-5	T5-03000700	11-29
F6-04060004	30-12	NGK CR6HSA	13-9	T5-03000800	12-58
F6-04060005	30-13	T15-01020002	4-10	T5-03010000	12-43
F6-04060006	30-2	T15-04000011	13-2	T5-04000015	22-7
F6-04060007	30-3	T36-04000023	17-12	T6-03000002	24-18
F6-04060008	30-6	T36-06000003	28-9	T6-05000021	20-17
F6-04060009	30-18	T40-01020101	7-2	TLA1412Z	11-28
F6-04060010	30-19	T5-00000001	11-30		
F6-04060011	30-16	T5-00000001	6-16		