

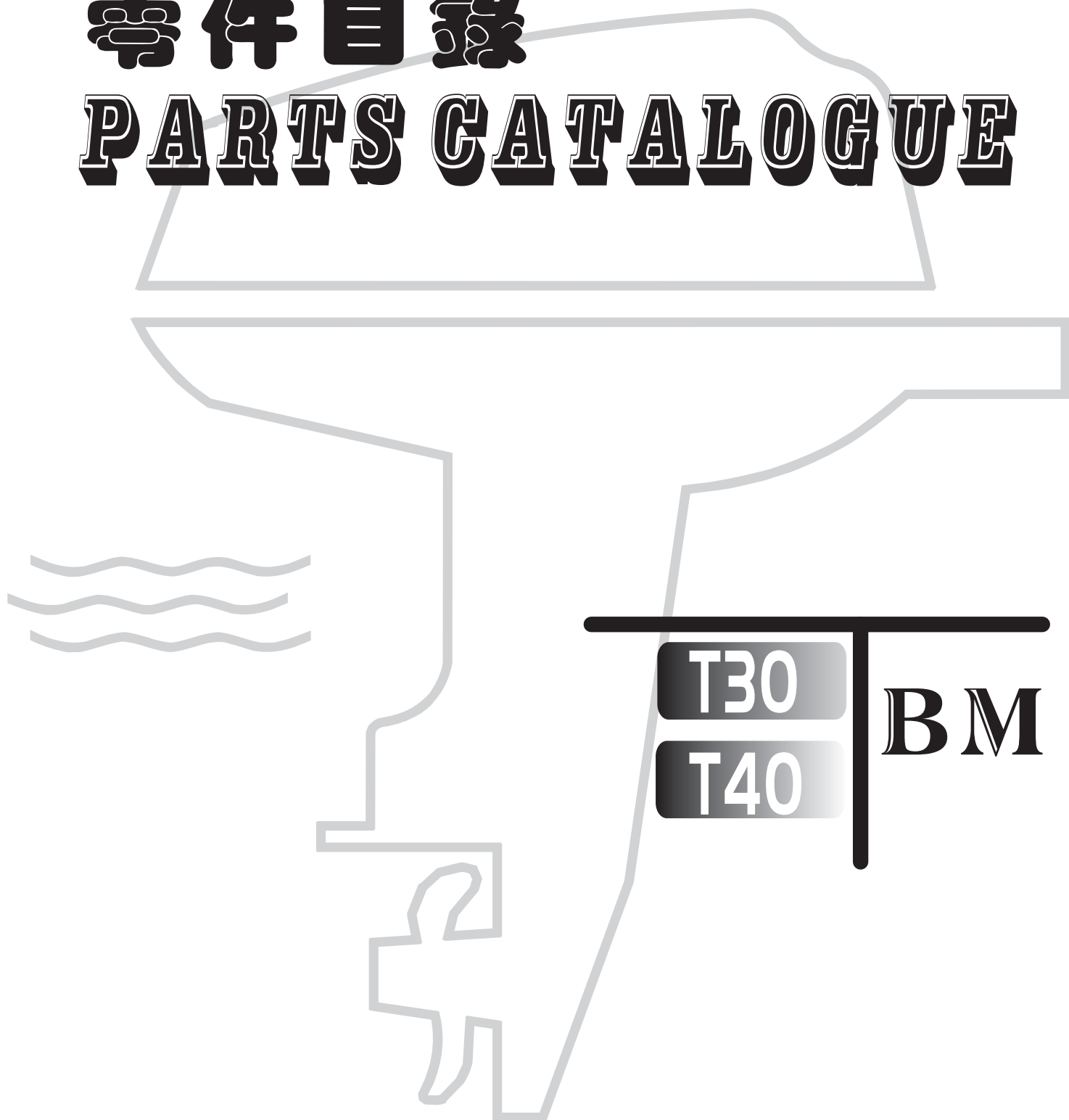
[Http://www.parsun.com.cn](http://www.parsun.com.cn)

PARSUN

百胜

零件目錄

PARTS CATALOGUE



苏州百胜动力机器股份有限公司

SUZHOU PARSUN POWER MACHINE CO., LTD

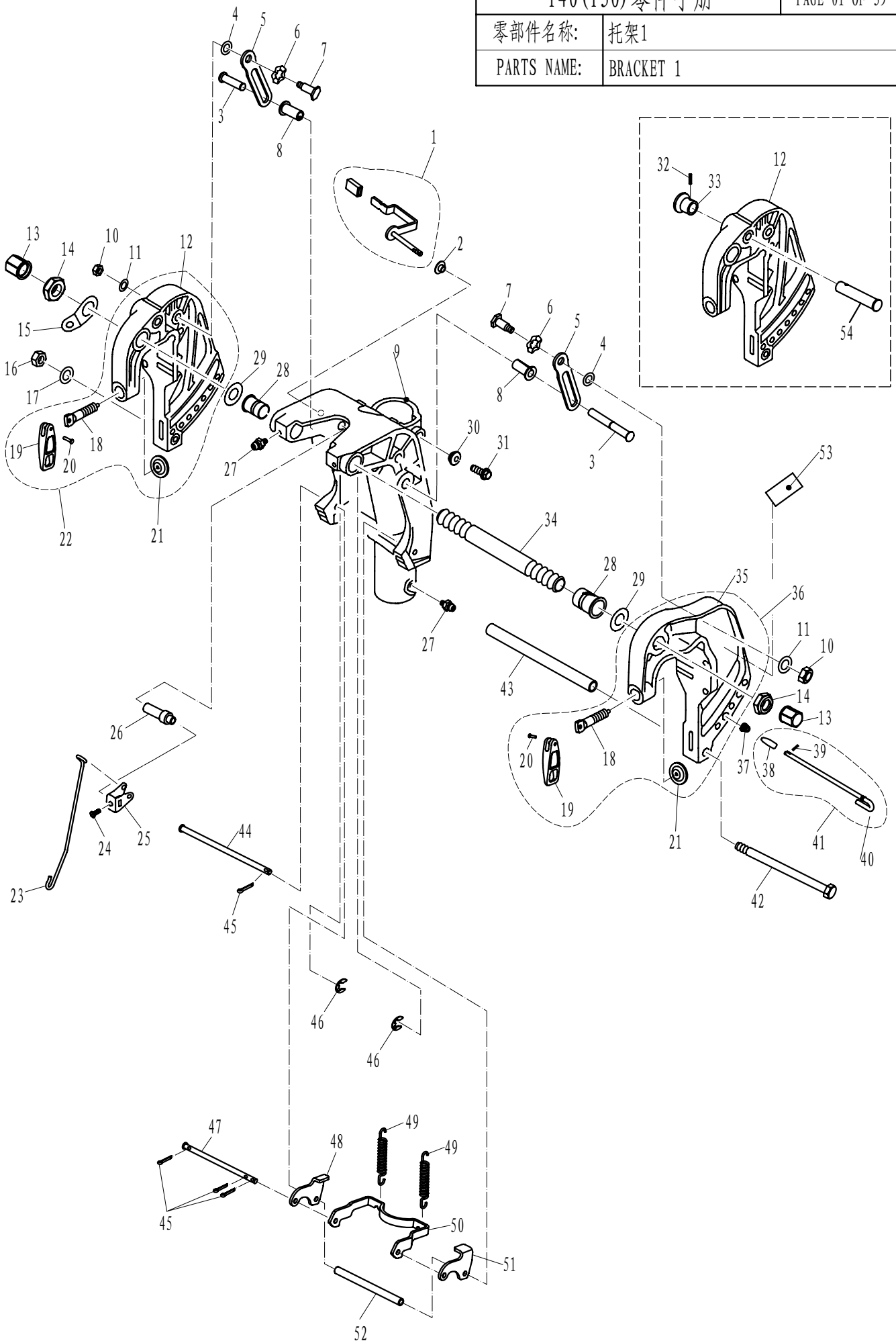
目 录

CONTENTS

托架 1 -----	1 ~ 3
BRACKET 1 -----	1 ~ 3
托架 2 -----	4 ~ 5
BRACKET 2 -----	4 ~ 5
操舵系统 -----	6 ~ 7
STEERING -----	6 ~ 7
水上装置壳体 -----	8 ~ 9
UPPER CASING -----	8 ~ 9
底罩 -----	10 ~ 11
BOTTOM COWLING -----	10 ~ 11
控制系统 -----	12 ~ 13
CONTROL SYSTEM -----	12 ~ 13
水下装置壳体和驱动系统 1 -----	14 ~ 16
LOWER CASING & DRIVE 1 -----	14 ~ 16
水下装置壳体和驱动系统 2 -----	17 ~ 18
LOWER CASING & DRIVE 2 -----	17 ~ 18
发动机 -----	19 ~ 20
GENERATOR -----	19 ~ 20
进气系统 -----	21 ~ 22
INTAKE -----	21 ~ 22
气缸和曲轴箱 -----	23 ~ 24
CYLINDER & CRANKCASE -----	23 ~ 24
曲轴和活塞 -----	25 ~ 26
CRANKSHAFT & PISTON -----	25 ~ 26
燃油系统 -----	27 ~ 28
FUEL -----	27 ~ 28
电气 -----	29 ~ 30
ELECTRICAL -----	29 ~ 30
起动机 -----	31 ~ 32
STARTER -----	31 ~ 32
顶罩组件 -----	33 ~ 34
TOP COWLING ASSY -----	33 ~ 34
燃油箱 -----	35
FUEL TANK -----	35
附录1(修理件) -----	36 ~ 37
APPENDIX 1(REPATE KIT) -----	36 ~ 37
附录2(修理件) -----	38 ~ 39
APPENDIX 2 (REPARE KIT) -----	38 ~ 39
零件目录检索表 -----	I ~ III
PARTS CATALOGUE INDEX -----	I ~ III

零部件名称: 托架1

PARTS NAME: BRACKET 1



零部件名称:

托架1

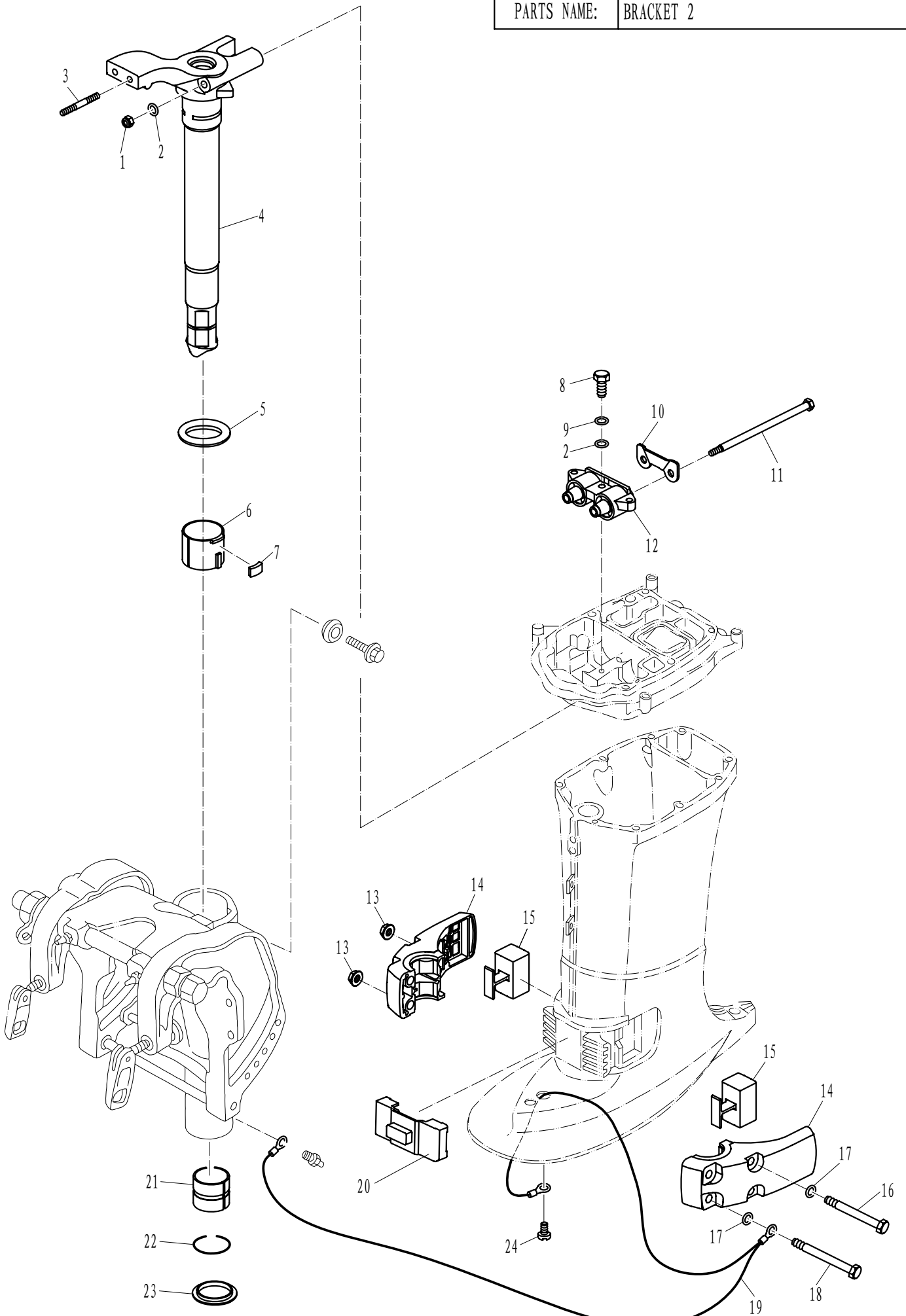
PARTS NAME:

BRACKET 1

参照号码 SN.	零件编号 PART NO.	零件名称(中文) DESCRIPTION	零件名称(英文) DESCRIPTION	数量 QTY					备注 REMARKS
1	F25-01010312	角度锁紧手柄组件	TILT CLAMP HANDLE ASSY	1					
2	F25-01010311	锁紧手柄衬圈	WASHER	1					
3	F25-01010318	制动板销轴(短)	PIN, DETENT	2					
4	F25-01010009	尼龙垫圈	WASHER, NYLON	2					
5	F25-01010321	倾斜制动板	PLATE, TILT DETENT	2					
6	F25-01010008	波形垫圈	WASHER, WAVE	2					
7	F25-01010007	扁六角轴位螺钉	SCREW, PROLATE HEXAGON	2					
8	F25-01010319	销轴尼龙衬套(高)	GASKET, NYLON	2					
9	F25-01010301	旋转支架	BRACKET, ROTARY	1					L
	F25-01010301S	旋转支架	BRACKET, ROTARY	1					S
10	GB/T6182-M8	非金属嵌件六角锁紧螺母M8	LOCKNUT M8	2					
11	F25-01010010	厚垫片8	THICK WASHER	2					
12	F25-01010201	右夹紧托架	BRACKET, RIGHT	1					
13	F25-01010011	塑料装饰螺母	NUT, PLASTIC	2					
14	F15-01010007	托架夹紧螺母	NUT, SELF-LOCKING	2					
15	F25-01010004	双孔固定板	PLATE, TWO HOLE	1					
16	GB/T6170-M8	六角螺母 M8	NUT M8	1					
17	GB/T93-8	弹簧垫圈8	WASHER, SPRING 8	1					
18	F25-01010104	舰板夹紧螺杆	SCREW, CLAMP	2					
19	F25-01010102	舰板夹紧手柄	CLAMP HANDLE	2					
20	F25-01010103	舰板夹紧手柄铆钉	RIVET	2					
21	F4-01010003	舰板夹紧圆盘	CLAMP PLATE	2					
22	F25-01010200	右夹紧托架组件	RIGHT BRACKET ASSY	1					
23	F25-01010315	角度锁紧支架连杆	ROD, BRACKET	1					
24	GB/T818-M5x6	十字槽盘头螺钉M5x6	SCREW, PAN HEAD M5x6	1					
25	F25-01010313	角度定位件	LEVER, ANGLE ORIENTATION	1					
26	F25-01010309	锁紧手柄轴套	BUSHING, HANDLE	1					
27	GB/T7940.1-95	直通式压注油杯	OIL, CUP	3					
28	F25-01010002	螺管尼龙衬套	BUSH, NYLON	2					
29	F25-01010003	螺管垫圈	WASHER	2					
30	F25-01010302	锁紧螺栓密封圈	WASHER, SEAL	1					
31	F25-01010303	六角凸缘螺栓M8x20	BOLT M8x20	1					
32	GB/T879.2-Φ3x18	轻型直槽弹性圆柱销Φ3x18	PIN Φ3x18	1					
33	T40-01010102	起翘限位手柄	HANDLE	1					
34	F15-01010001	夹紧托架双头螺管	BOLT, CLAMP BRACKET	1					
35	F25-01010101	左夹紧托架	BRACKET, LEFT	1					
36	F25-01010100	左夹紧托架组件	LEFT BRACKET ASSY	1					
37	F25-01010403	锥形弹簧	CONICAL SPRING	1					
38	F25-01010402	防脱落支脚	PLATE, PREVENT DESQUAMATION	1					
39	GB/T879.1-3x8	弹性圆柱销3x8	PIN, SPRING 3x8	1					
40	F25-01010401	角度限位杆	ROD, LIMITATIVE ANGLE	1					
41	F25-01010400	角度限位杆组件	ROD ASSY, LIMIT ANGLE	1					
42	F25-01010005	六角长螺栓M8x255	LONG BOLT M8x255	1					

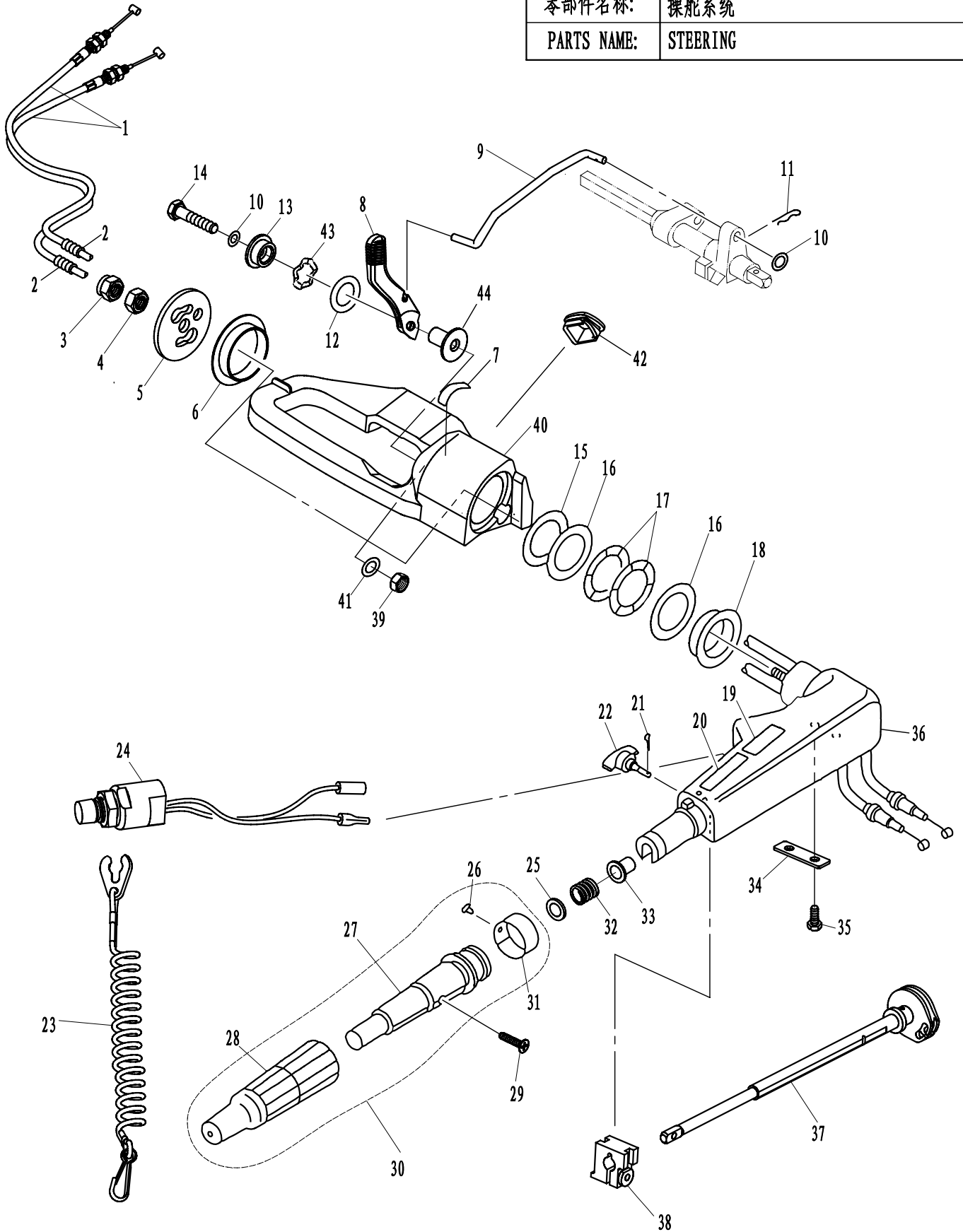
零部件名称: 托架2

PARTS NAME: BRACKET 2



零部件名称: 操舵系统

PARTS NAME: STEERING



SN. 参照号码	PART NO. 零件编号	DESCRIPTION 零件名称(中文)	DESCRIPTION 零件名称(英文)	QTY 数量				REMARKS 备注
1	T40-01020102	油门钢索组件	THROTTLE CABLE ASSY	2				
2	F25-01030002	波纹塑管	TUBE , WAVE PLASTIC	2				

零部件名称:

操舵系统

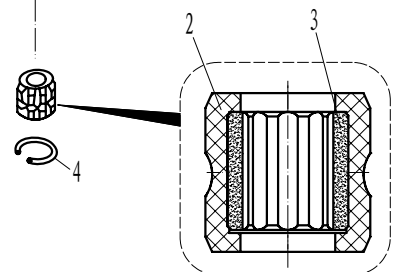
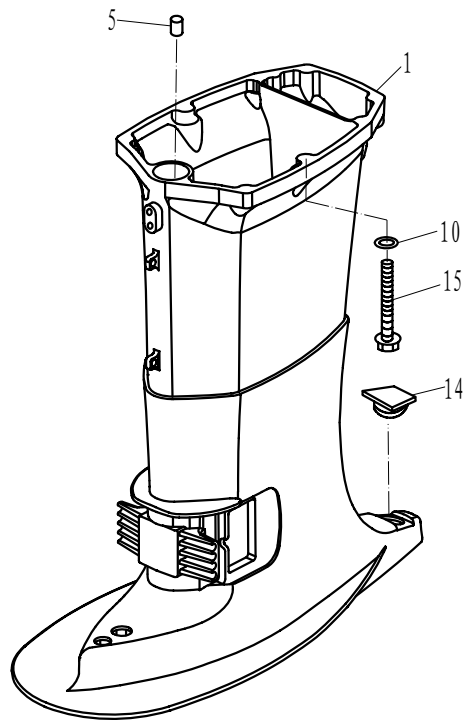
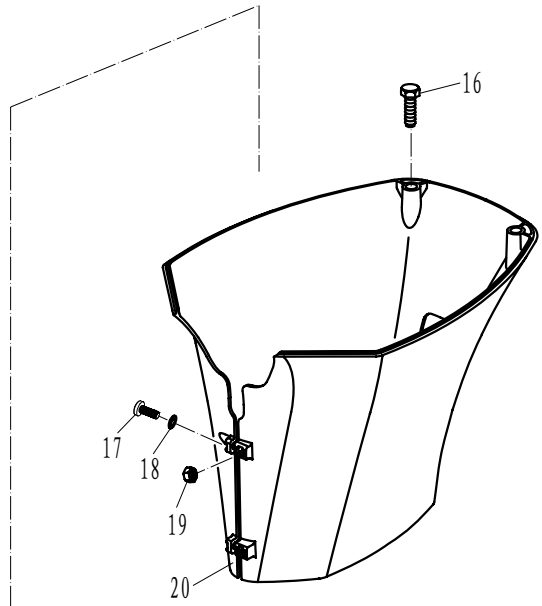
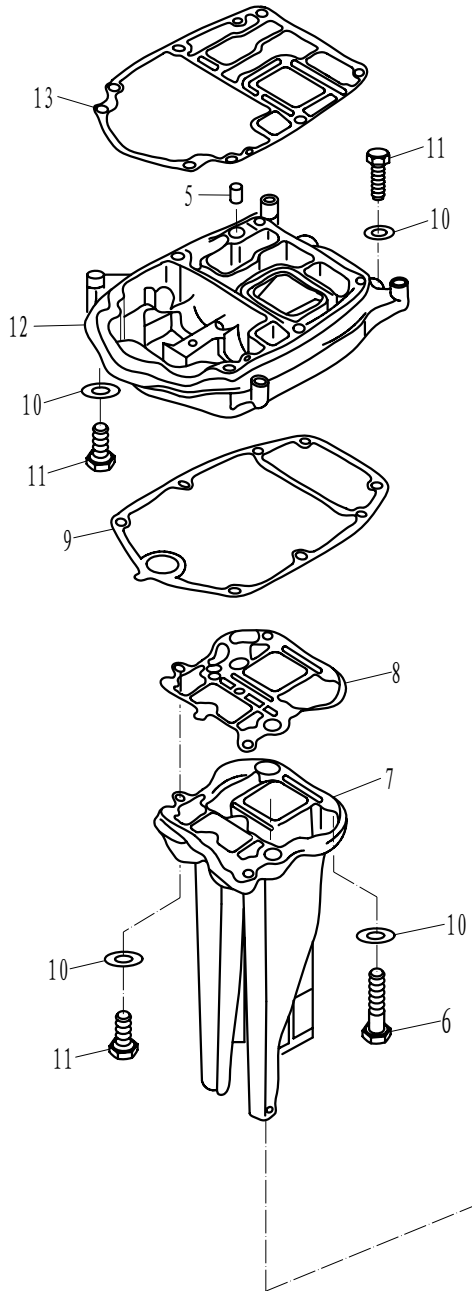
PARTS NAME:

STEERING

SN. 参照号码	PART NO. 零件编号	DESCRIPTION 零件名称(中文)	DESCRIPTION 零件名称(英文)	QTY 数量					REMARKS 备注
3	GB/T889.2-M10x1.25	细牙非金属嵌件六角锁紧螺母M10×1.25	LOCKNUT M10×1.25	1					
4	GB/T6171-M10x1.25	六角螺母M10×1.25	NUT M10×1.25	1					
5	F15-01000013	手柄定位盖板	PLATE ,HANDLE ORIENTATION	1					
6	F15-01000011	手柄衬套(低)	WASHER ,HANDLE (LOW)	1					
7	F15-12000011	标贴11	MARK 11	1					
8	T40-00000002	变档手柄	HANDLE ,GEAR SHIFT	1					
9	T40-00000007	变档连杆	LINK ,SHIFT ROD	1					
10	GB/T97.1-85	平垫圈6	WASHER 6	2					
11	F15-00000012	夹簧	SPRING ,CLAMP	1					
12	T40-00000004	手柄垫圈	WASHER ,HANDLE	2					
13	T40-00000006	手柄垫块	BLOCK ,HANDLE	2					
14	GB/T5782-M6x50	六角头螺栓M6×50	BOLT M6×50	1					
15	F15-01000012	衬套尼龙圈	WASHER ,NYLON	1					
16	F15-01000008	衬套垫圈	WASHER	2					
17	F15-01000009	衬套波形垫圈	WASHER ,WAVE	2					
18	F15-01000007	手柄衬套(高)	BUSH ,HANDLE	1					
19	F4-08000105	标贴5	MARK 5	1					
20	F4-08000104	标贴4	MARK 4	1					
21	GB/T91-φ1.6×12	开口销φ1.6×12	PIN ,COTTER φ1.6×12	1					
22	F15-01030200	阻力调整旋钮组件	BOLT	1					
23	F4-01090401	引擎停止安全索	STOPER ,HANG ROPE ASSY	1					
24	T40-01020101	急停开关	ENGINE STOP SWITCH	1					
25	GB/T848-10	小垫圈10	SMALL WASHER 10	1					
26	GB/T827-2x5	标牌铆钉2×5	RIVET ,SEMICIRCLE 2×5	1					
27	F4-01090301	操舵手柄塑胶套	GRIP ,STEERING HANDLE	1					
28	F4-01090302	操舵手柄橡胶套	RUBBER ,HANDLE	1					
29	GB/T820-M5x25	十字槽半沉头螺钉M5×25	SCREW,PAN HEAD M5×25	1					
30	F4-01090300	操舵手柄塑胶套组件	STEERING HANDLE ASSY	1					
31	T15-01020303	油门标志牌	INDICATOR THROTTLE	1					
32	F4-01090007	压缩弹簧	SPRING ,COMPRESSION	1					
33	F4-01090006	衬套	BUSH	1					
34	F15-01030005	节气门固定板	STAY	1					
35	GB/T5783-M6x20	六角头螺栓M6×20	BOLT M6×20	2					
36	F15-01030001	操舵手柄	HANDLE STEERING	1					
37	F15-01030100	节气门杆组件	LEVER ,THROTTLE ASSY	1					
38	F4-01090003	操舵手柄握把摩擦块	FRICTION	1					
39	GB/T6170-M6	锁紧螺母 M6	LOCKNUT M6	1					
40	F25-01030001	手柄托架	BRACKET,HANDLE	1					
41	GB/T97.1-6	平垫圈 6	WASHER 6	1					
42	T40-01020001	手柄托架护套	BUSHING ,HANDLE	1					
43	T40-00000005	波形垫圈	WASHER ,WAVE	1					
44	T40-00000003	凸缘垫管	TUBE,FLANGE	1					

零部件名称: 水上装置壳体

PARTS NAME: UPPER CASING

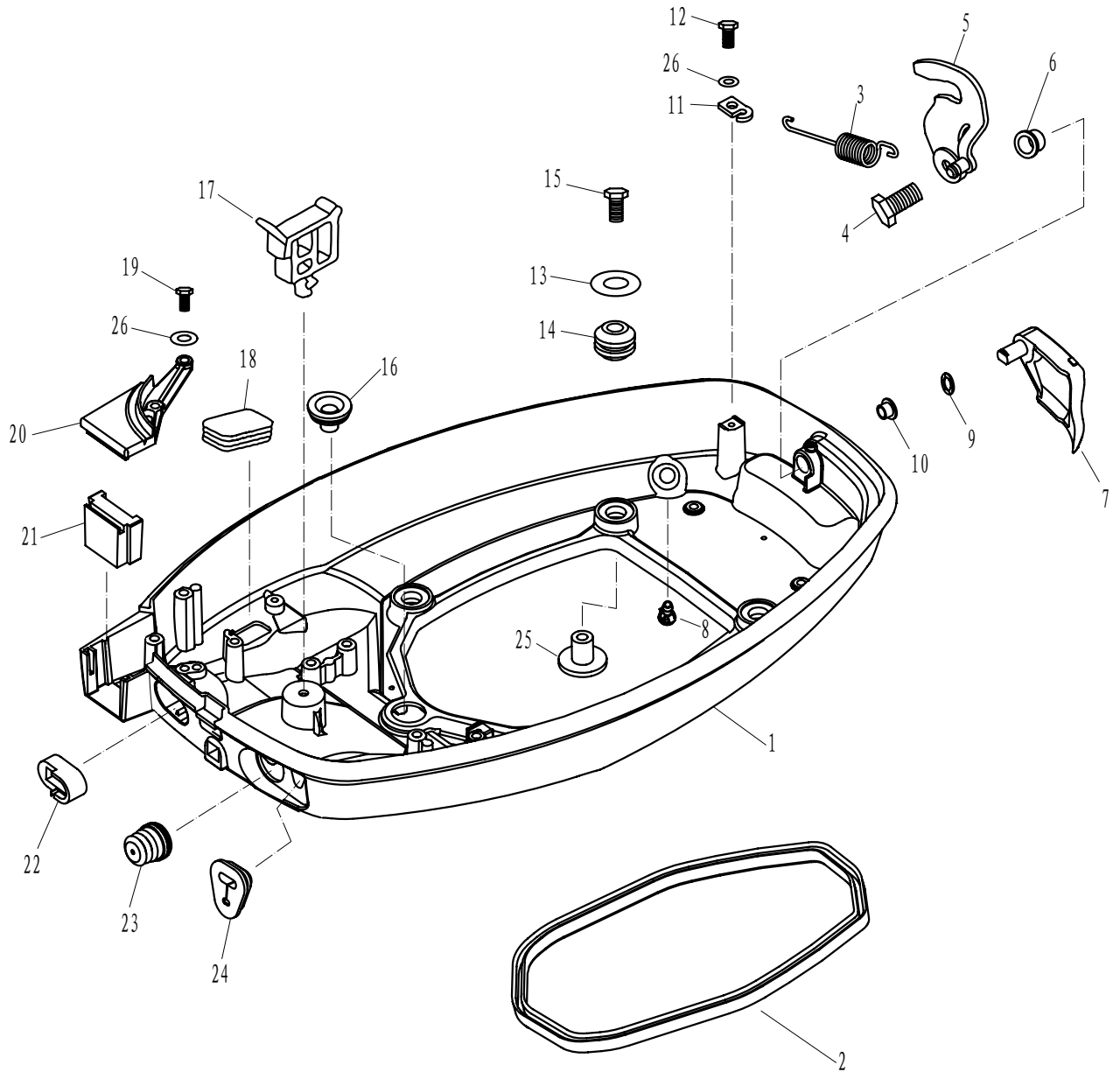


零部件名称:

底罩

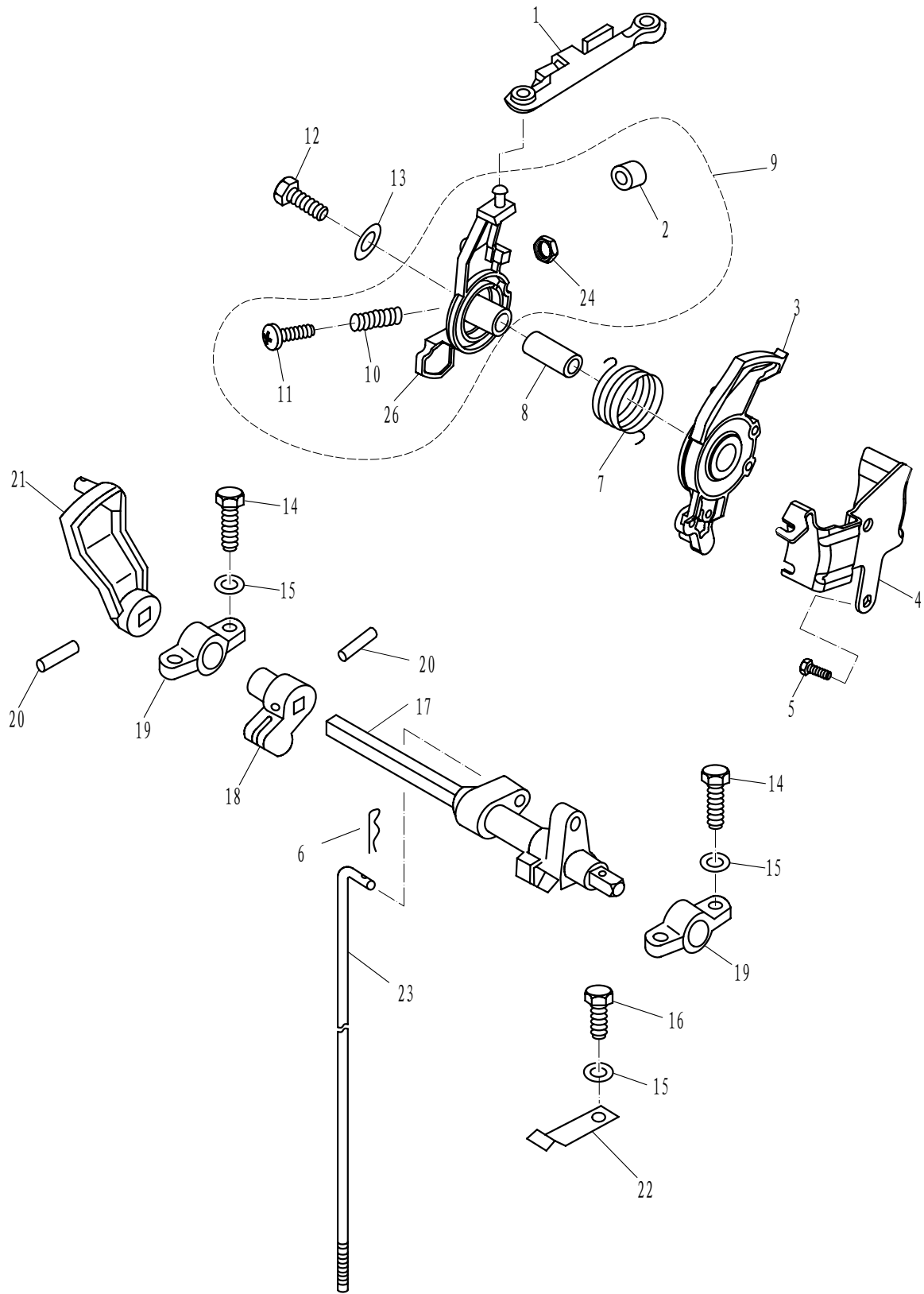
PARTS NAME:

BOTTOM COWLING



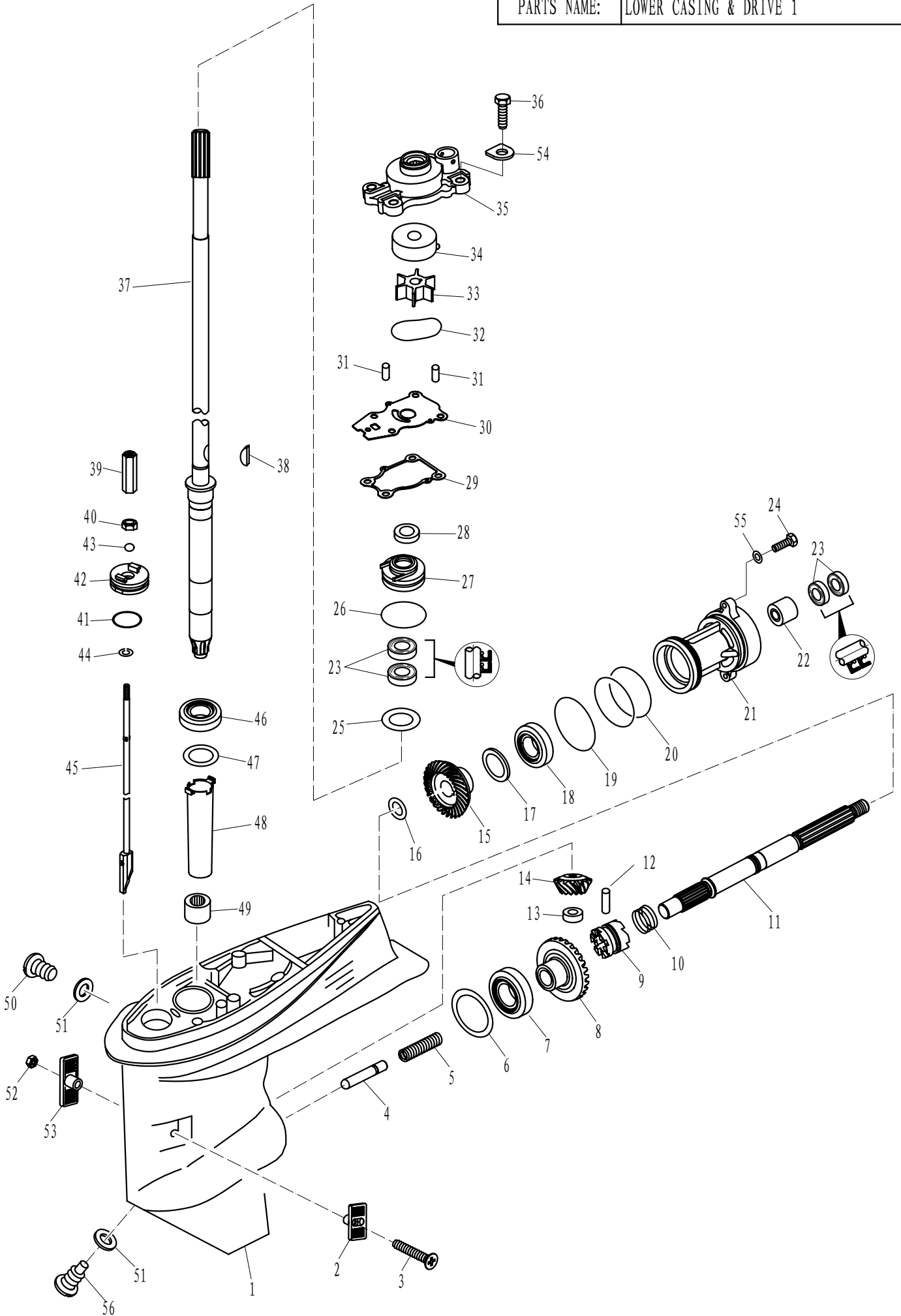
零部件名称: 控制系统

PARTS NAME: CONTROL SYSTEM



零部件名称: 水下装置壳体 and 驱动系统1

PARTS NAME: LOWER CASING & DRIVE 1



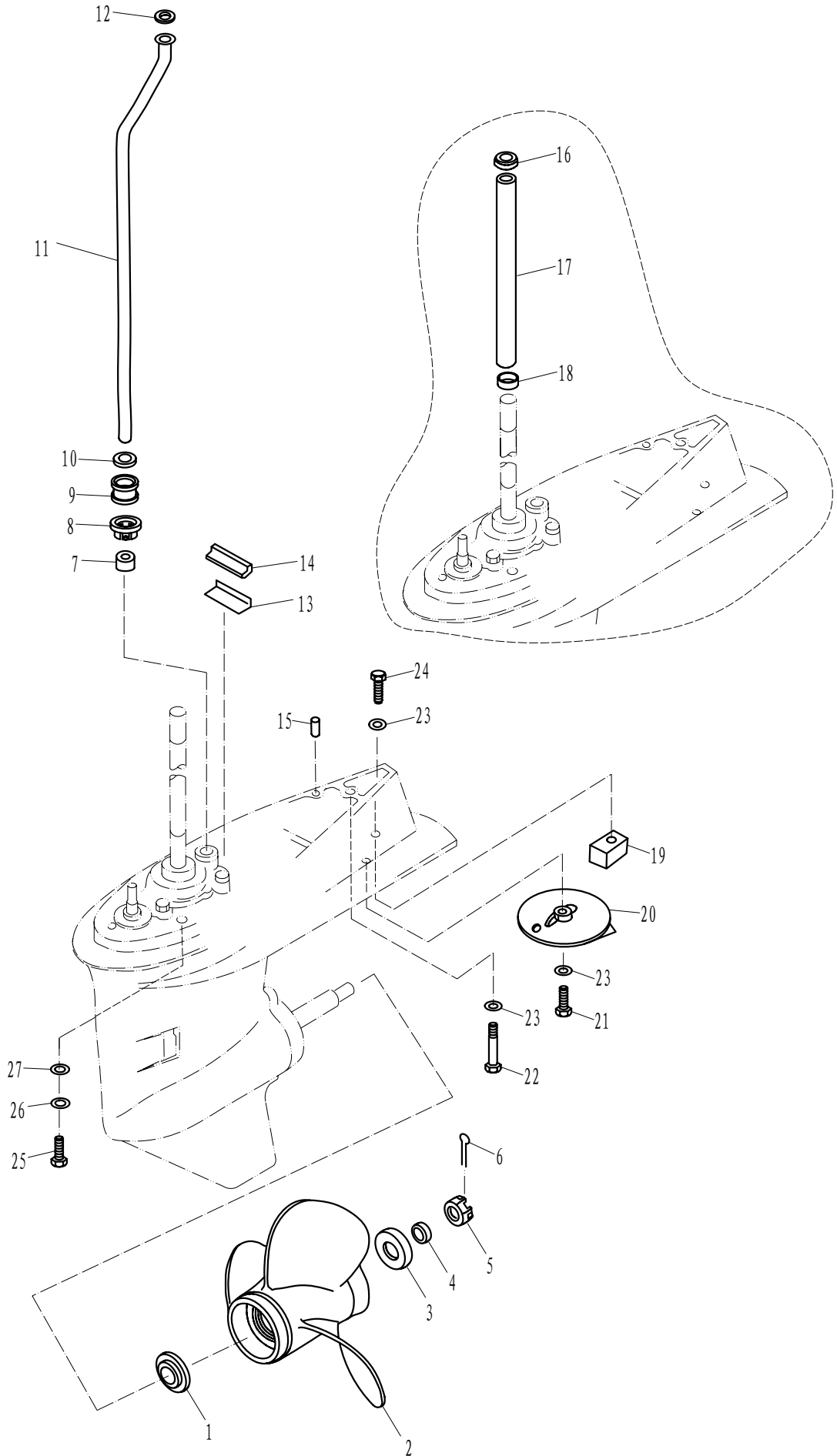
零部件名称: 水下装置壳体和驱动系统1

PARTS NAME: LOWER CASING & DRIVE 1

SN. 参照号码	PART NO. 零件编号	DESCRIPTION 零件名称(中文)	DESCRIPTION 零件名称(英文)	QTY 数量					REMARKS 备注
1	T40-04000001	水下装置壳体	LOWER CASING	1					
2	T40-04000022	进水口A	WATER INLET A	1					
3	GB/T820-M5x30	十字槽半沉头螺钉 M5x30	SCREW, PAN HEAD M5x30	1					
4	T40-04050006	变档柱塞	PLUNGER, SHIFT	1					
5	T40-04050002	离合器弹簧	SPRING, CLUTCH	1					
6	T40-04000004	正档齿轮填隙片	SHIM						
	T40-04000004-1	填隙片 (T = 0.10毫米)	SHIM (T = 0.10mm)						
	T40-04000004-2	填隙片 (T = 0.12毫米)	SHIM (T = 0.12mm)						
	T40-04000004-3	填隙片 (T = 0.15毫米)	SHIM (T = 0.15mm)						
	T40-04000004-4	填隙片 (T = 0.18毫米)	SHIM (T = 0.18mm)						
	T40-04000004-5	填隙片 (T = 0.30毫米)	SHIM (T = 0.30mm)						
	T40-04000004-6	填隙片 (T = 0.40毫米)	SHIM (T = 0.40mm)						
	T40-04000004-7	填隙片 (T = 0.50毫米)	SHIM (T = 0.50mm)						
7	T40-04000024	圆锥滚子轴承	BEARING	1					
8	T40-04020000	正档齿轮组件	GEAR, FORWARD	1					
9	T40-04050003	爪形离合器	CLUTCH, DOG	1					
10	T40-04050005	离合器簧环	RING, CLUTCH	1					
11	T40-04050001	螺旋桨轴	SHAFT, PROPELLER	1					
12	T40-04050004	离合器销	PIN, CLUTCH	1					
13	T40-04000006	小齿轮螺母M12X1.25	NUT, PINION	1					
14	T40-04000005	小齿轮	PINION	1					
15	T40-04060006	倒档齿轮	GEAR, REVERSE	1					
16	T40-04050007	倒档齿轮垫圈	WASHER, REVERSE GEAR	1					
17	T40-04060005	倒档齿轮填隙片	SHIM						
	T40-04060005-1	填隙片 (T = 0.10毫米)	SHIM (T = 0.10mm)						
	T40-04060005-2	填隙片 (T = 0.12毫米)	SHIM (T = 0.12mm)						
	T40-04060005-3	填隙片 (T = 0.15毫米)	SHIM (T = 0.15mm)						
	T40-04060005-4	填隙片 (T = 0.18毫米)	SHIM (T = 0.18mm)						
	T40-04060005-5	填隙片 (T = 0.30毫米)	SHIM (T = 0.30mm)						
	T40-04060005-6	填隙片 (T = 0.40毫米)	SHIM (T = 0.40mm)						
	T40-04060005-7	填隙片 (T = 0.50毫米)	SHIM (T = 0.50mm)						
18	T40-04000025	深沟球轴承 6007	BEARING 6007	1					
19	T40-04060002	水下装置壳体盖O型密封圈A	O-RING A, COVER	1					
20	T40-04060003	水下装置壳体盖O型密封圈B	O-RING B, COVER	2					
21	T40-04060001	水下装置壳体盖	COVER, LOWER CASING	1					
22	T40-04000028	滚针轴承 2220	BEARING 2220	1					
23	F25-04010003	驱动轴油封22x36x6	OIL SEAL	4					
24	GB/T5783-M8x25	六角螺栓 M8x25	BOLT, HEXAGON M8x25	2					
25	T40-04000008	大垫圈	BIG WASHER	1					
26	JASO F404 24-50	油封壳体A O型密封圈	O-RING , OIL SEAL	1					
27	T40-04040001	油封壳体A	CASING, OIL SEAL	1					
28	T40-04000009	油封盖	COVER , OIL SEAL	1					
29	T40-04000010	水泵座密封垫	GASKET , WATER PUMP	1					

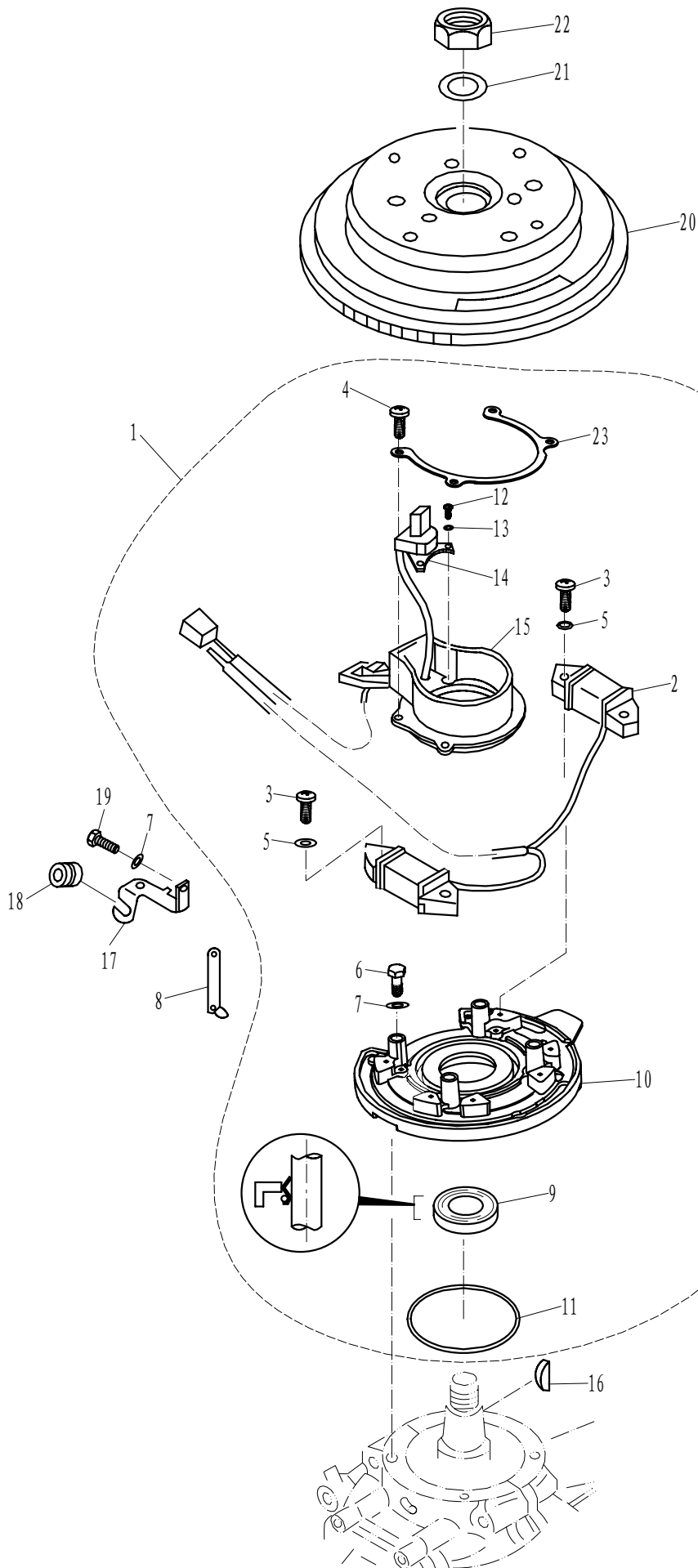
零部件名称: 水下装置壳体 and 驱动系统 2

PARTS NAME: LOWER CASING & DRIVE 2



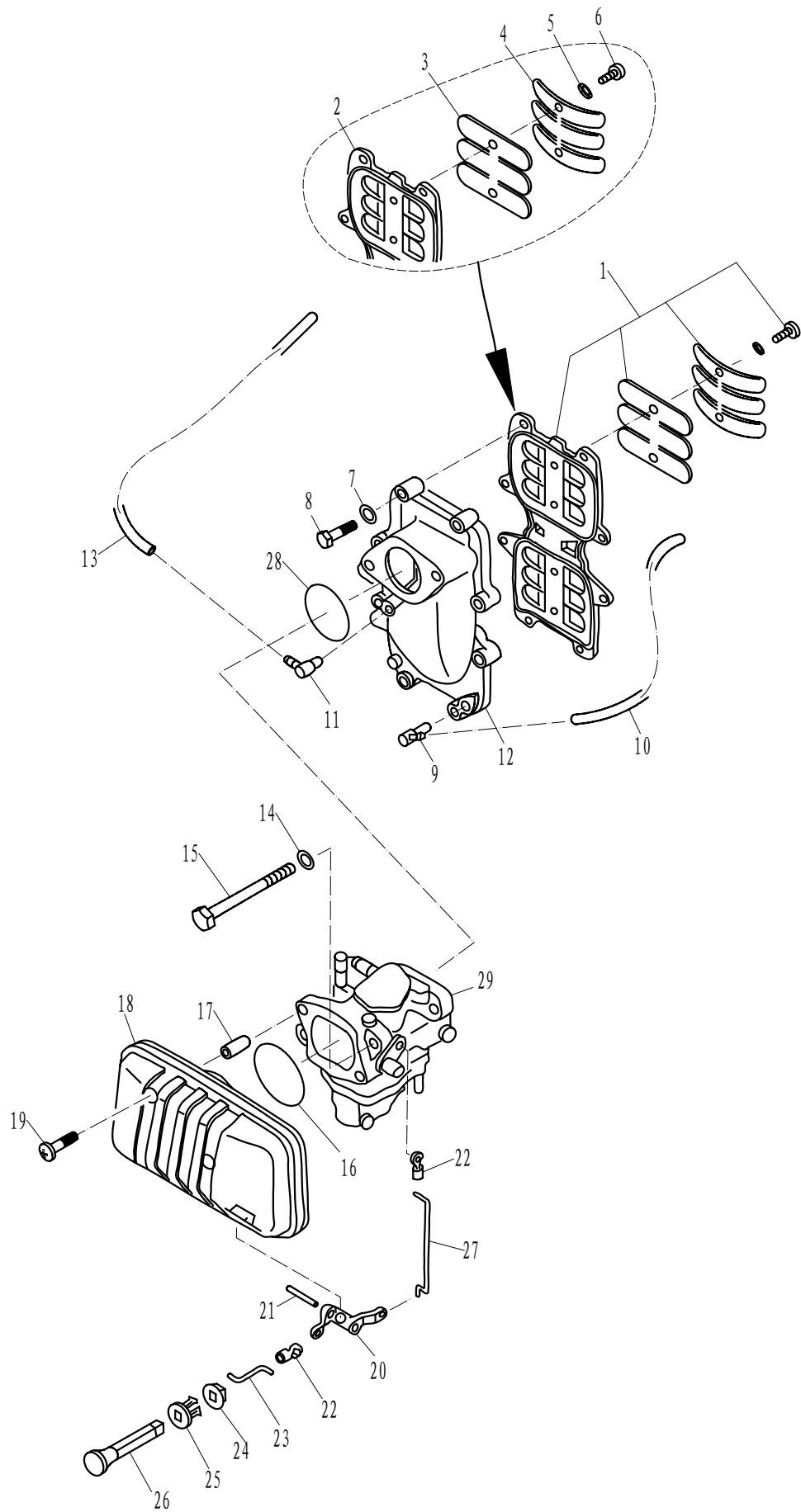
零部件名称: 发电机

PARTS NAME: GENERATOR



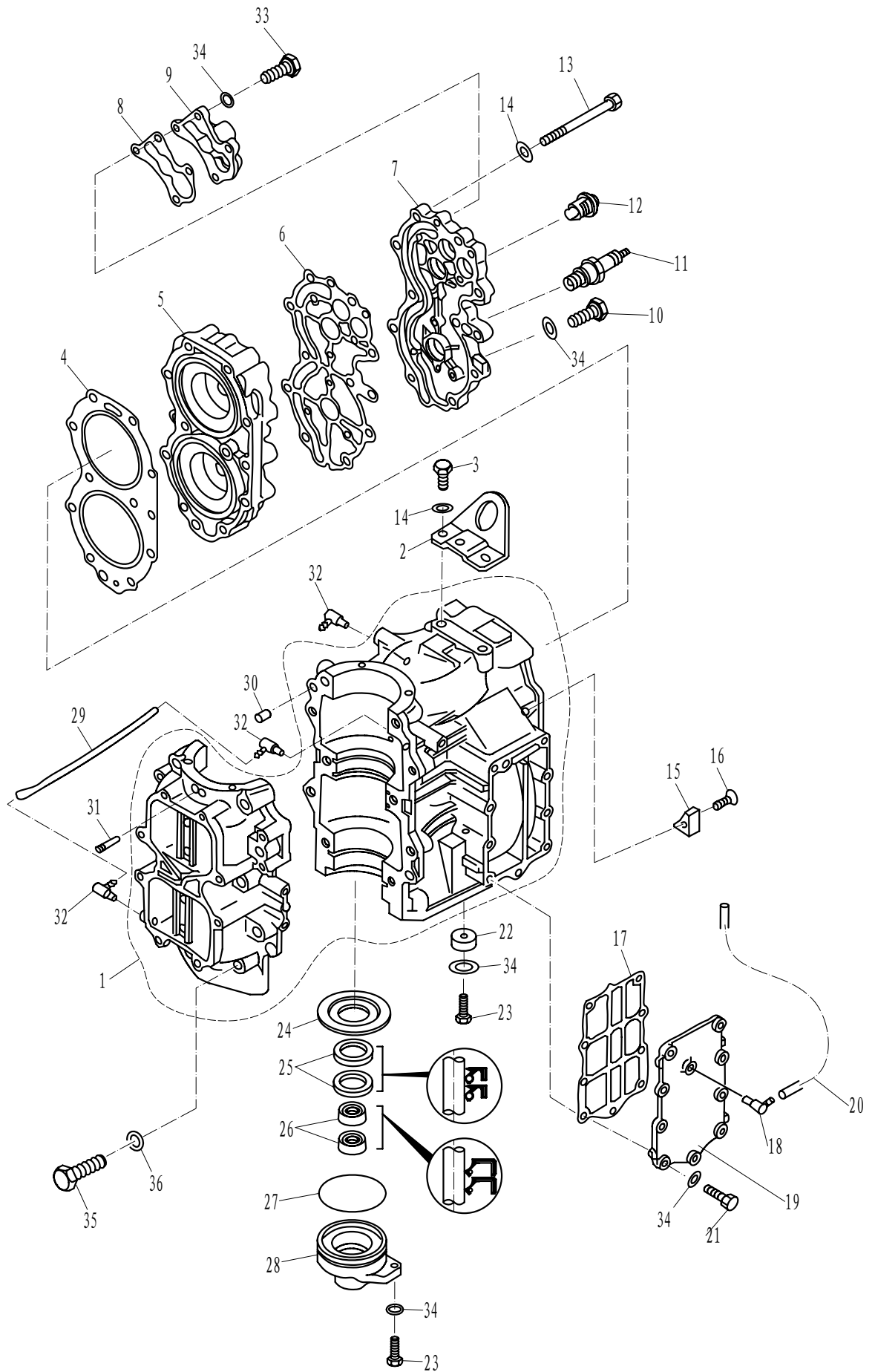
零部件名称: 进气系统

PARTS NAME: INTAKE



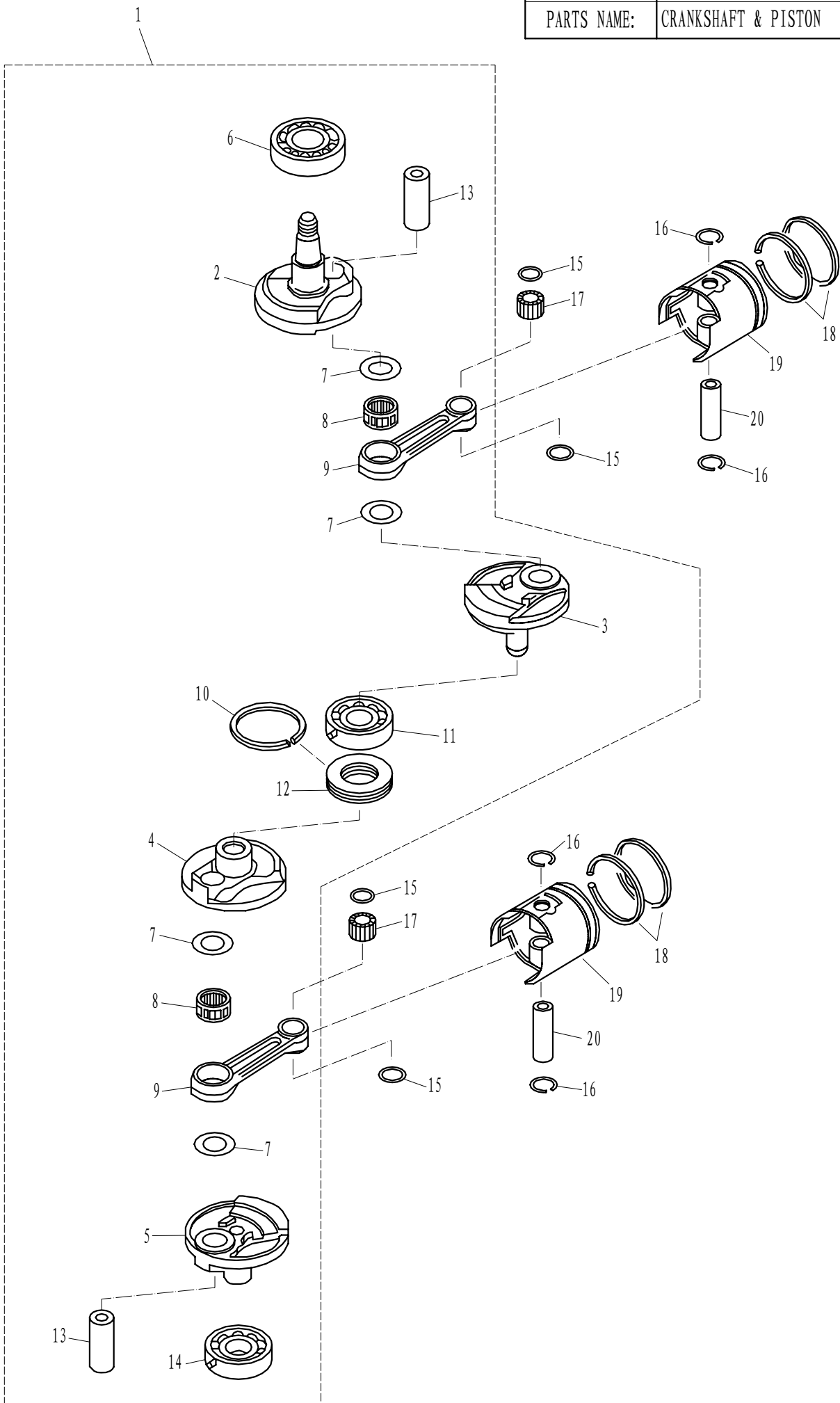
零部件名称: 气缸和曲轴箱

PARTS NAME: CYLINDER & CRANKCASE



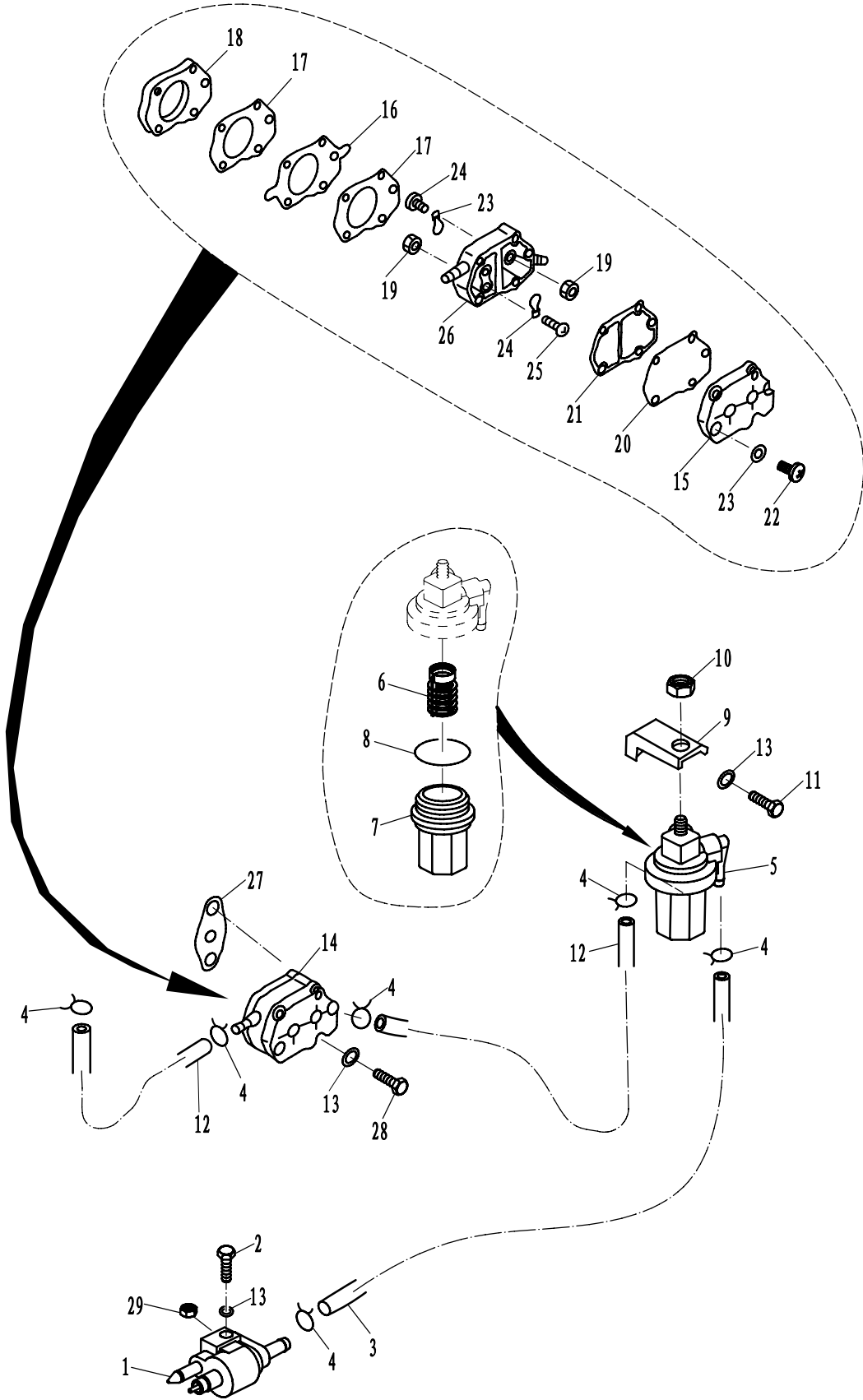
零部件名称: 曲轴活塞

PARTS NAME: CRANKSHAFT & PISTON



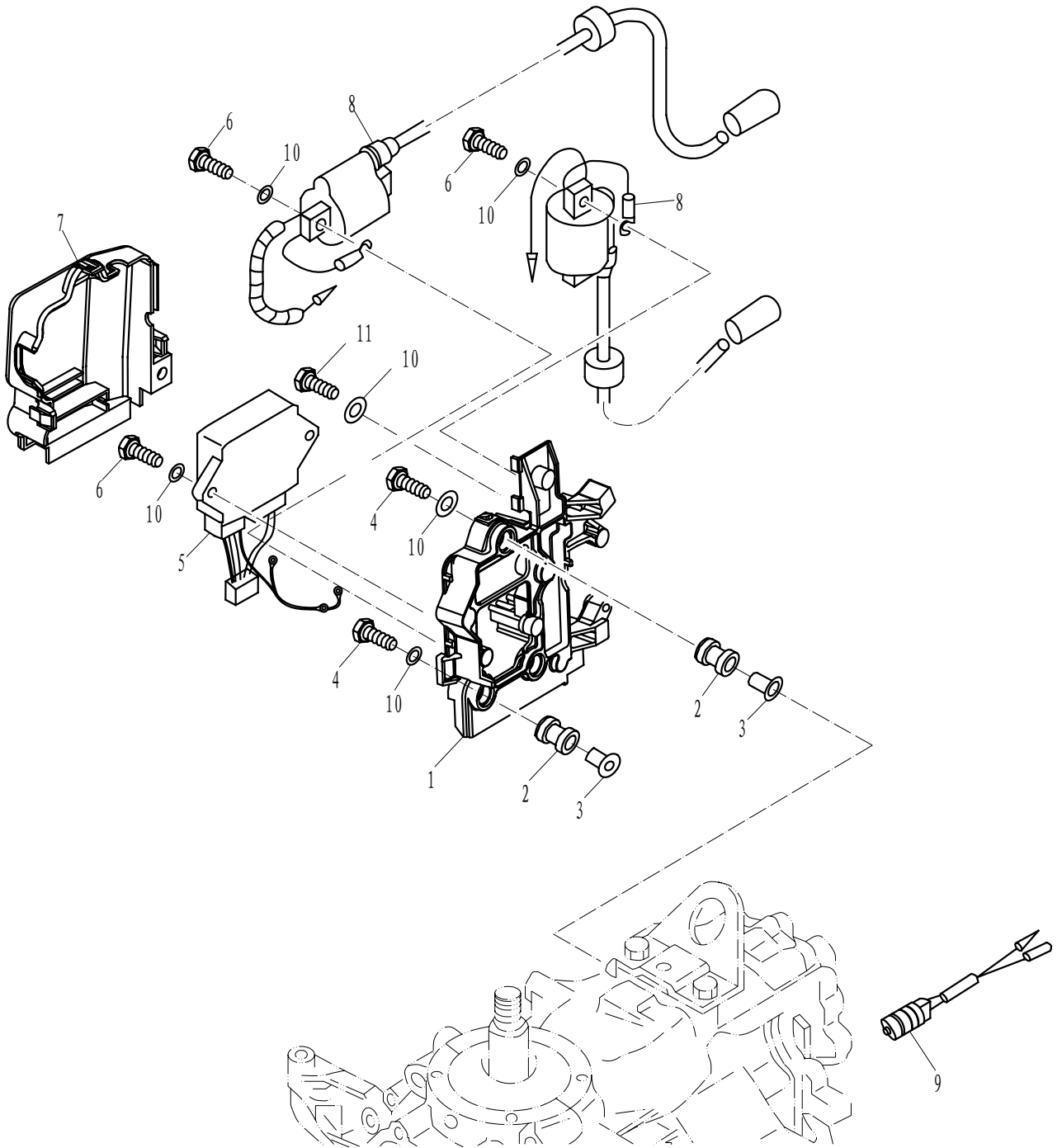
零部件名称: 燃油系统

PARTS NAME: FUEL



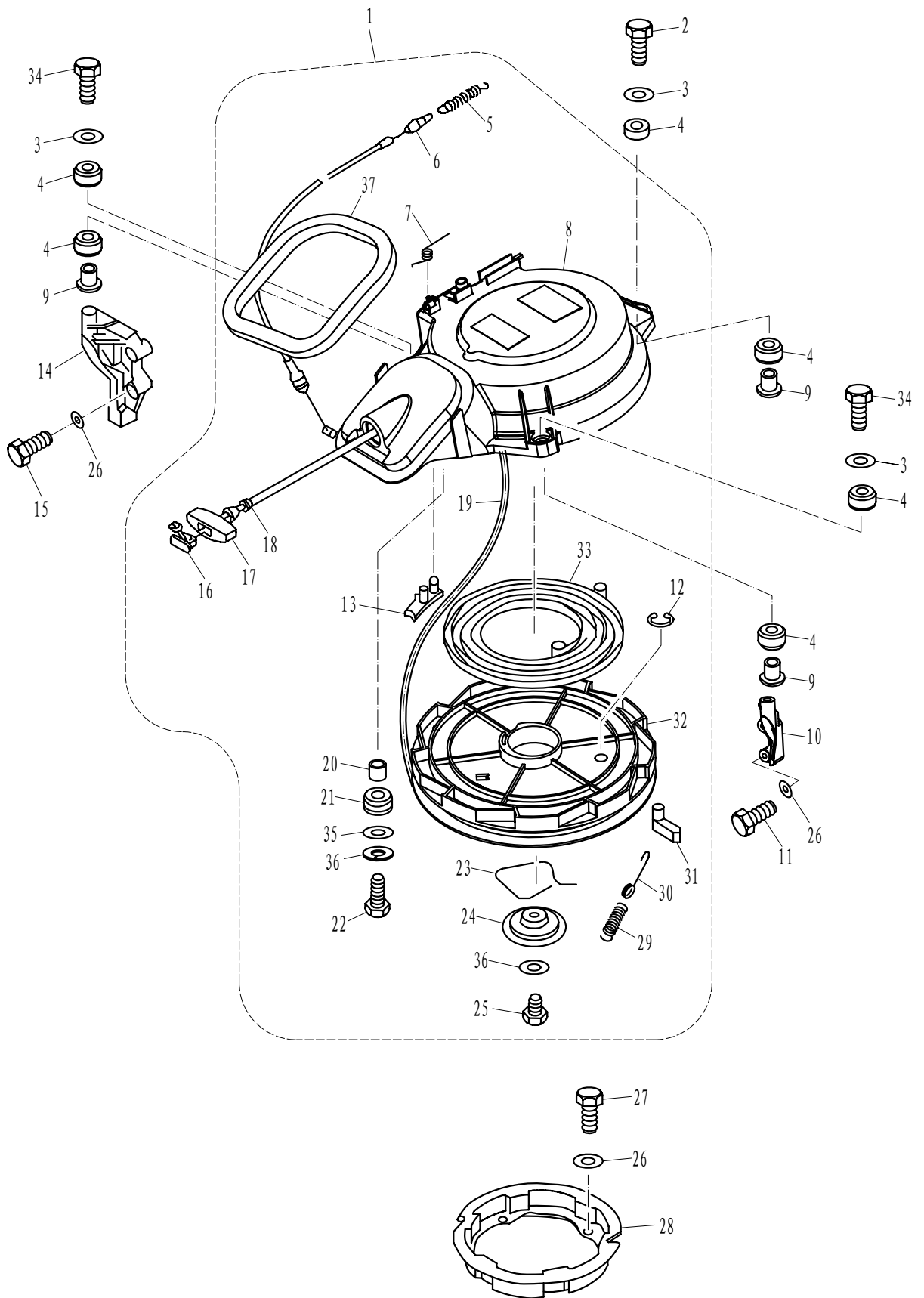
零部件名称: 电气

PARTS NAME: ELECTRICAL



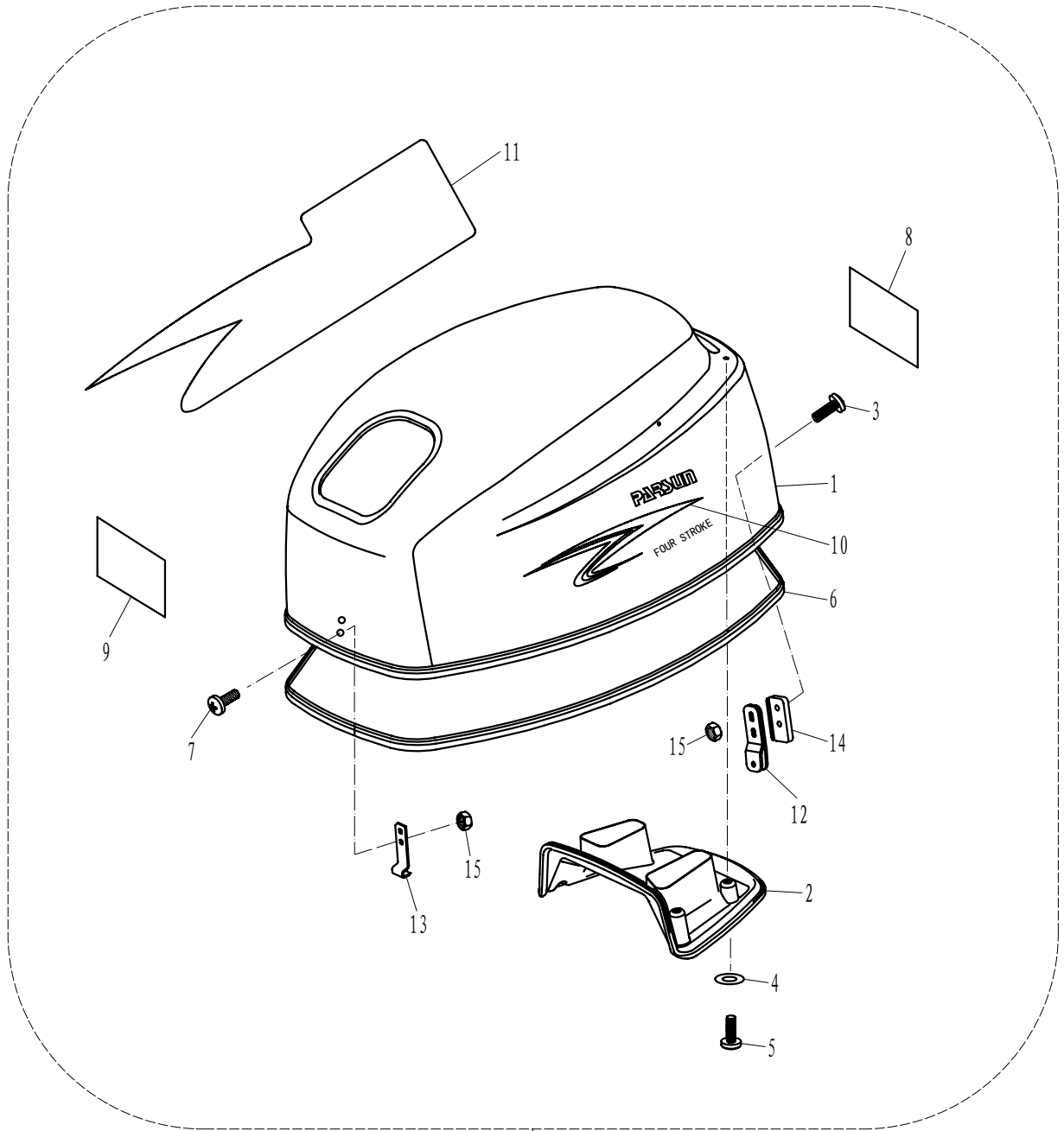
零部件名称: 起动机

PARTS NAME: STARTER



零部件名称: 顶罩

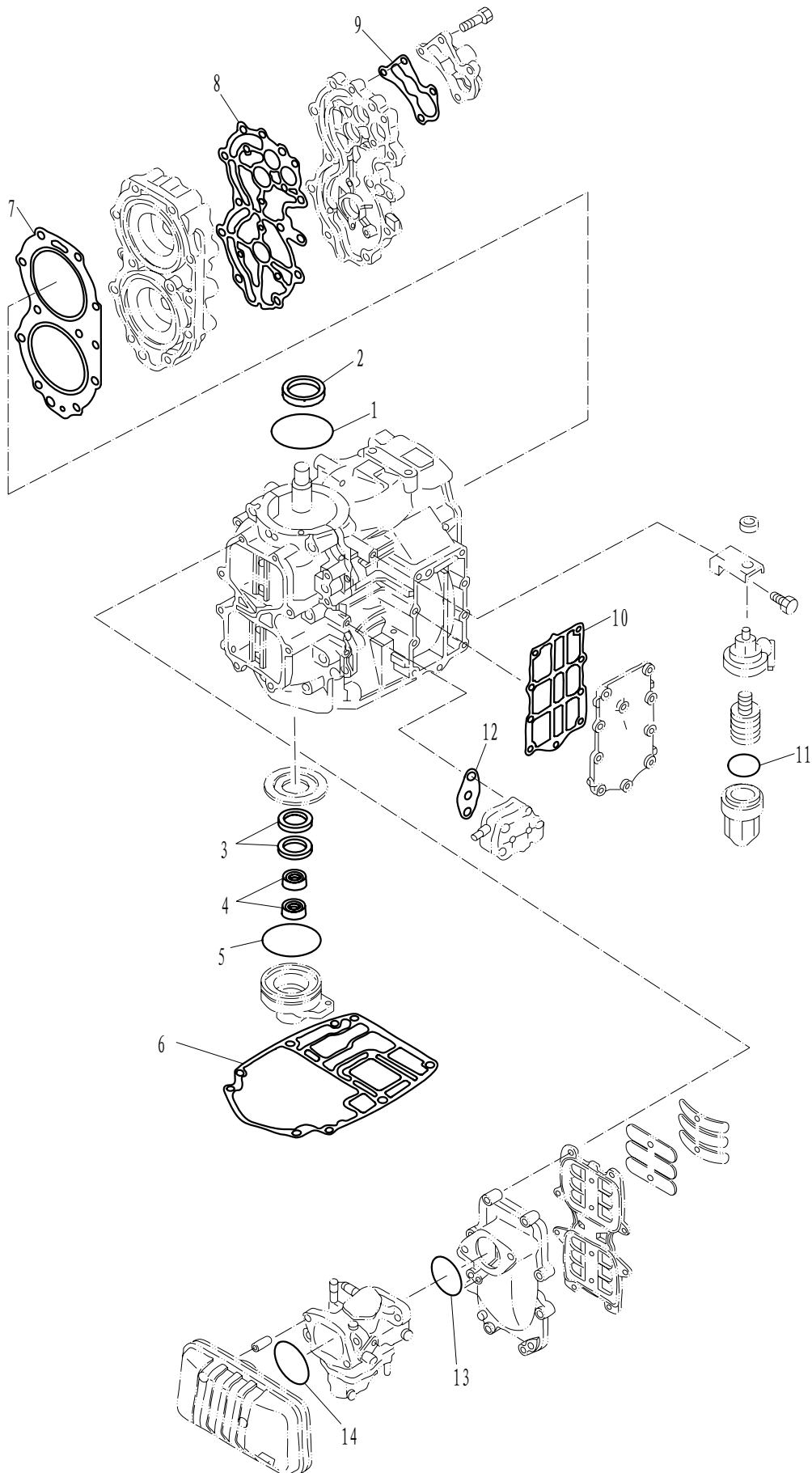
PARTS NAME: TOP COWLING



16

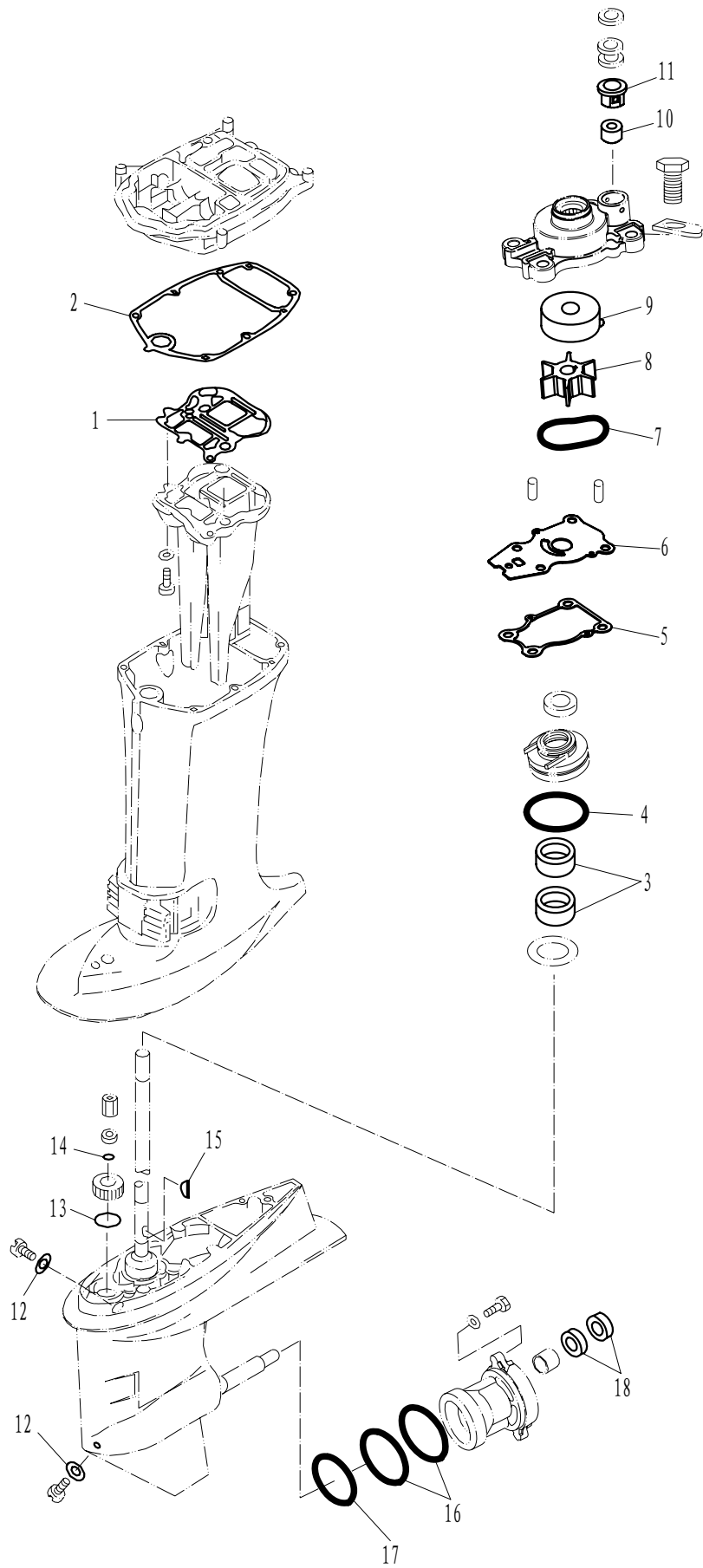
零部件名称: 修理套件1

PARTS NAME: REPAIR KIT 1



零部件名称: 修理套件2

PARTS NAME: REPAIR KIT 2



名称:

零件目录检索表

NAME:

PARTS CATALOGUE INDEX

零件代号 PART NO.	页码/序号 PAGE/NO.	零件代号 PART NO.	页码/序号 PAGE/NO.	零件代号 PART NO.	页码/序号 PAGE/NO.
BPR7HS	24-11	F25-0000001	5-14	F25-01010319	2-8
F15-00000006	9-5	F25-0000002	5-15	F25-01010321	2-5
	18-15	F25-0000004	11-13	F25-01010400	2-41
F15-00000012	7-11	F25-0000005	5-13	F25-01010401	2-40
	13-6	F25-0000006	5-16	F25-01010402	2-38
F15-01000007	7-18	F25-0000007	5-18	F25-01010403	2-37
F15-01000008	7-16	F25-0000014	24-30	F25-01020001	5-4
F15-01000009	7-17	F25-0100001	5-6	F25-01020001S	
F15-01000011	7-6	F25-0100002	5-7	F25-01020002	5-3
F15-01000012	7-15	F25-0100003	5-5	F25-01030001	7-40
F15-01000013	7-5	F25-0100004	5-21	F25-01030002	6-2
F15-01000015	11-24	F25-0100004S		F25-02000002	5-19
F15-01010001	2-34	F25-0100005	5-22	F25-02000016	5-11
F15-01010007	2-14	F25-0100005S		F25-02010002	24-26
F15-01030001	7-36	F25-0100006	5-23	F25-03000006	11-14
F15-01030005	7-34	F25-0100006S		F25-03000012	28-3
F15-01030100	7-37	F25-01010002	2-28	F25-03020000	11-5
F15-01030200	7-22	F25-01010003	2-29	F25-04000007	16-31
F15-04000005	24-18	F25-01010004	2-15	F25-04000015	16-38
F15-05000003	11-18	F25-01010005	2-42	F25-04000031	16-56
F15-05000006	11-23	F25-01010006	3-43	F25-04010003	15-23
F15-05000008	11-17	F25-01010007	2-7	F25-04040000	16-33
F15-05000009	11-8	F25-01010008	2-6	F25-05000025	20-21
F15-05000022	11-10	F25-01010009	2-4	F25-05000026	20-22
F15-05000023	11-9	F25-01010010	2-11	F25-05160021	32-18
F15-05000026	11-3	F25-01010011	2-13	F25-05160501	32-17
F15-05000029	32-5	F25-01010100	2-36	F25-06000005	34-17
F15-05000031	13-22	F25-01010101	2-35	F25-06000100	34-12
F15-05000035	16-39	F25-01010102	2-19		
F15-05000036	11-6	F25-01010103	2-20		
F15-05010001	22-25	F25-01010104	2-18	F4-01010003	2-21
F15-05040001	13-18	F25-01010200	2-22	F4-01090003	7-38
F15-05040002	13-19	F25-01010201	2-12	F4-01090006	7-33
F15-06020004	16-43	F25-01010301	2-9	F4-01090007	7-32
F15-07000016	22-22	F25-01010301S		F4-01090300	7-30
F15-07080000	28-5	F25-01010302	2-30	F4-01090301	7-27
F15-07080001	28-6	F25-01010303	2-31	F4-01090302	7-28
F15-07080002	28-7	F25-01010304	3-49	F4-01090401	7-23
F15-07130105	32-13	F25-01010305	3-44	F4-03000023	16-50
F15-07130106	32-7	F25-01010306	3-52	F4-03000024	16-51
F15-09000000	35-1	F25-01010307-1	3-50	F4-04000030	28-4
F15-10000000	35-2	F25-01010307-2	3-51	F4-04090005	28-24
F15-10000001	35-9	F25-01010307-3	3-47	F4-04090011	28-25
F15-10000002	35-8	F25-01010307-4	3-48	F4-04120003	30-3
F15-10000003	35-7	F25-01010309	2-26	F4-04130102	32-16
F15-10010000	35-3	F25-01010311	2-2	F4-05000200	28-1
F15-10020000	35-6	F25-01010312	2-1	F4-06000004	34-4
F15-12000011	7-7	F25-01010313	2-25	F4-06000006	34-14
		F25-01010315	2-23	F4-08000104	7-20
		F25-01010318	2-3	F4-08000105	7-19

名称:

零件目录检索表

NAME:

PARTS CATALOGUE INDEX

零件代号 PART NO.	页码/序号 PAGE/NO.	零件代号 PART NO.	页码/序号 PAGE/NO.	零件代号 PART NO.	页码/序号 PAGE/NO.
JASO F404 24-053	22-16	T40-02010006	9-7	T40-04000021	18-5
JASO F404 24-067	24-27	T40-02020000	5-12	T40-04000022	15-2
JASO F404 24-50	15-26	T40-03000001	11-1	T40-04000023	16-53
JASO F404 31-035	16-41	T40-03000002	11-2	T40-04000024	15-7
T15-01020303	7-31	T40-03000003	11-22	T40-04000025	15-18
T15-03010001	22-26	T40-03000004	11-21	T40-04000026	16-49
T15-03010002	22-24	T40-03000005	11-20	T40-04000027	16-46
T15-04000010	24-12	T40-03000006	11-16	T40-04000028	15-22
T15-04000023	28-9	T40-03000007	13-23	T40-04000201	16-35
T15-04010202	24-31	T40-03000007S		T40-04000202	16-34
T15-04030103	13-2	T40-03000008	11-11	T40-04000203	18-7
		T40-03000011	11-25	T40-04000204	18-8
		T40-03000100	11-7	T40-04000205	16-32
T40-00000001	5-20	T40-03010000	13-17	T40-04010000	16-37
T40-00000002	7-8	T40-03010001	13-21	T40-04010000S	
T40-00000003	7-44	T40-04000001	15-1	T40-04020000	15-8
T40-00000004	7-12	T40-04000002	16-48	T40-04030000L	16-45
T40-00000005	7-43	T40-04000003	16-47	T40-04030000S	
T40-00000006	7-13	T40-04000003-1		T40-04040001	15-27
T40-00000007	7-9	T40-04000003-2		T40-04050001	15-11
T40-00000009	18-19	T40-04000003-3		T40-04050002	15-5
T40-00000010	18-20	T40-04000003-4		T40-04050003	15-9
T40-00000011	9-14	T40-04000003-5		T40-04050004	15-12
T40-00000012	9-13	T40-04000003-6		T40-04050005	15-10
T40-00000013	30-7	T40-04000003-7		T40-04050006	15-4
T40-00000008	18-25	T40-04000004	15-6	T40-04050007	15-16
T40-00000100	22-18	T40-04000004-1		T40-04060001	15-21
T40-00000103	22-17	T40-04000004-2		T40-04060002	15-19
T40-00000104	22-20	T40-04000004-3		T40-04060003	15-20
T40-00000105	22-23	T40-04000004-4		T40-04060005	15-17
T40-00000106	22-27	T40-04000004-5		T40-04060005-1	
T40-00000200	9-20	T40-04000004-6		T40-04060005-2	
T40-01010101	3-54	T40-04000004-7		T40-04060005-3	
T40-01010102	2-33	T40-04000005	15-14	T40-04060005-4	
T40-01020001	7-42	T40-04000006	15-13	T40-04060005-5	
T40-01020101	7-24	T40-04000007	16-42	T40-04060005-6	
T40-01020102	6-1	T40-04000008	15-25	T40-04060005-7	
T40-02000001	9-1	T40-04000009	15-28	T40-04060006	15-15
T40-02000001S		T40-04000010	15-29	T40-04070000	18-2
T40-02000002	18-9	T40-04000011	16-30	T40-05000001	24-22
T40-02000003	9-3	T40-04000012	16-54	T40-05000002	24-4
T40-02000004	9-2	T40-04000013	18-13	T40-05000003	24-5
T40-02000005	9-9	T40-04000014	18-14	T40-05000004	24-6
T40-02000006	5-10	T40-04000015	18-17	T40-05000005	24-7
T40-02010001	9-12	T40-04000015S		T40-05000006	24-8
T40-02010002	9-8	T40-04000016	18-18	T40-05000007	24-9
T40-02010003	18-12	T40-04000017	18-16	T40-05000008	24-17
T40-02010004	18-11	T40-04000018	18-1	T40-05000009	24-19
T40-02010004S		T40-04000019	18-3	T40-05000011	22-12
T40-02010005	18-10	T40-04000020	18-4	T40-05000012	24-15

名称:

零件目录检索表

NAME:

PARTS CATALOGUE INDEX

零件代号 PART NO.	页码/序号 PAGE/NO.	零件代号 PART NO.	页码/序号 PAGE/NO.	零件代号 PART NO.	页码/序号 PAGE/NO.
T40-05000013	24-2	T40-05040002	20-11	T40-08000001	34-11
T40-05000014	22-13	T40-05040003	20-23	T40-08000002	34-10
T40-05000015	24-29	T40-05040004	20-8	T40-08000003	34-9
T40-05000016	22-10	T40-05040005	20-18	T40-08000004	34-8
T40-05000017	24-20	T40-05040006	13-1	T40-08000006	3-53
T40-05000018	20-16	T40-05040007	20-2		
T40-05000019	32-28	T40-05040008	20-9		
T40-05000020	32-10	T40-05040009	20-15		
T40-05000021	32-14	T40-05040100	20-14		
T40-05000022	20-17	T40-05050000	20-20		
T40-05000024	28-27	T40-05060000	22-29		
T40-05000025	28-12	T40-05060002	22-28		
T40-05000026	32-9	T40-05070001	13-4		
T40-05000027	32-4	T40-05070002	13-8		
T40-05000029	30-2	T40-05070003	13-3		
T40-05000030	24-35	T40-05070004	13-7		
T40-05000100	30-9	T40-05070005	13-13		
T40-05000200	22-9	T40-05070100	13-9		
T40-05010000	24-1	T40-05070101	13-26		
T40-05010301	24-28	T40-05070102	13-10		
T40-05010302	24-25	T40-05080000	28-14		
T40-05010400	22-11	T40-05080001	28-18		
T40-05010400	24-32	T40-05080002	28-17		
T40-05020001	24-24	T40-05080003	28-16		
T40-05020002	26-19	T40-05080004	28-26		
T40-05020003	26-20	T40-05080005	28-21		
T40-05020004	26-18	T40-05080006	28-20		
T40-05020006	26-16	T40-05080007	28-15		
T40-05020007	26-15	T40-05090001	30-1		
T40-05020008	26-17	T40-05090100	30-8		
T40-05020009	26-6	T40-05090200	30-5		
T40-05020010	26-11	T40-05110000	32-1		
T40-05020011	26-14	T40-05110001	32-33		
T40-05020100	26-1	T40-05110002	32-21		
T40-05020101	26-2	T40-05110003	32-20		
T40-05020102	26-13	T40-05110004	32-32		
T40-05020103	26-7	T40-05110005	32-29		
T40-05020104	26-8	T40-05110006	32-30		
T40-05020105	26-9	T40-05110007	32-19		
T40-05020106	26-3	T40-05110008	32-24		
T40-05020107	26-10	T40-05110009	32-23		
T40-05020108	26-12	T40-05110010	32-37		
T40-05020109	26-4	T40-05110013	32-31		
T40-05020110	26-5	T40-05110100	32-8		
T40-05030000	22-1	T40-05110200	32-6		
T40-05030001	22-3	T40-06000000	34-16		
T40-05030002	22-4	T40-06000001	34-1		
T40-05030100	22-2	T40-06000002	34-6		
T40-05040000	20-1	T40-06000003	34-2		
T40-05040001	20-10	T40-06000004	34-13		