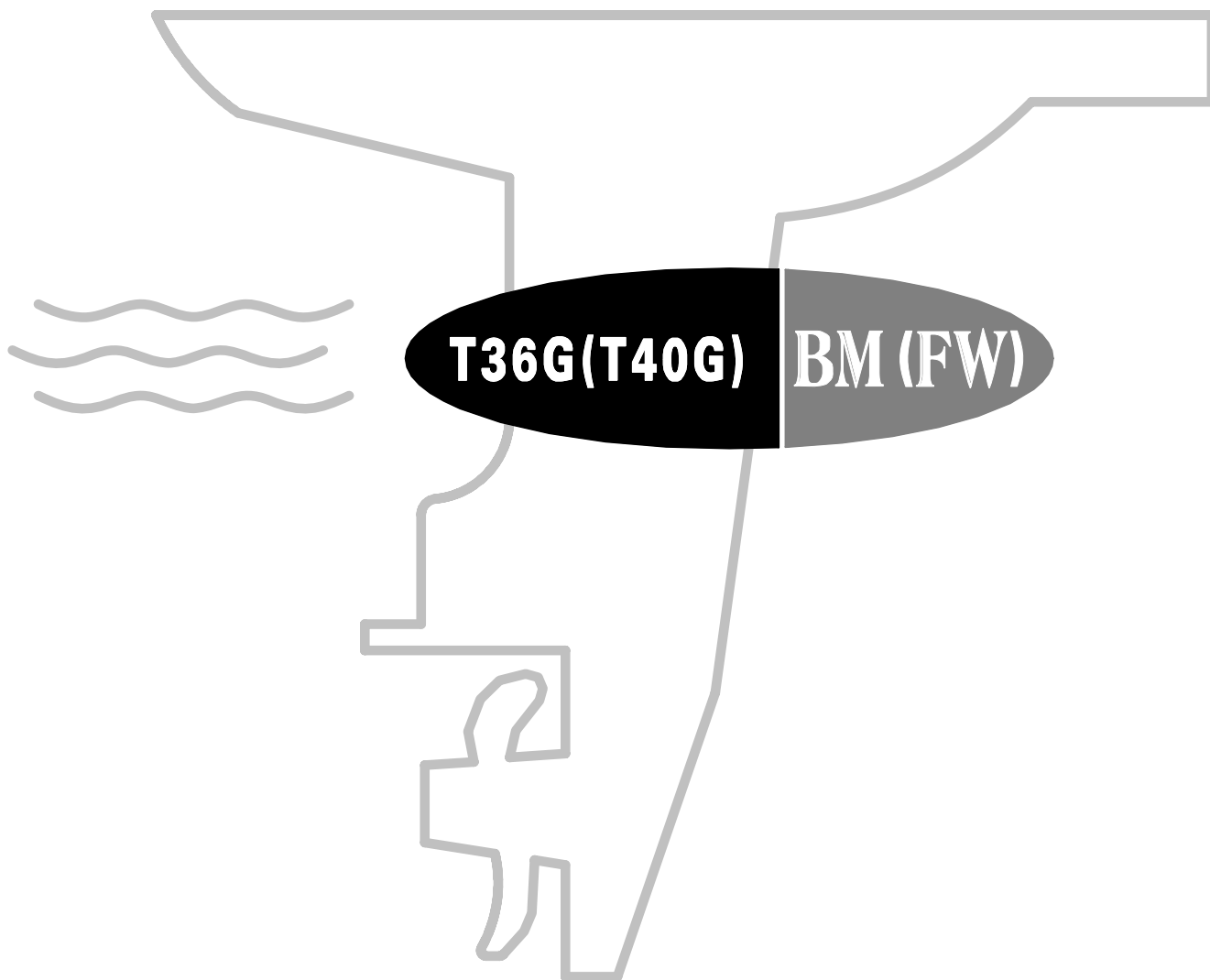


零件目录

**PARTS CATALOGUE**



苏州百胜动力机器股份有限公司

SUZHOU PARSUN POWER MACHINE CO., LTD

# 目录

## CONTENTS

托架 I	1 ~ 3
BRACKET I	1 ~ 3
托架 II	4 ~ 5
BRACKET II	4 ~ 5
操舵系统	6 ~ 7
STEERING	6 ~ 7
水上装置壳体	8 ~ 9
UPPER CASING	8 ~ 9
底罩	10 ~ 11
BOTTOM COWLING	10 ~ 11
控制系统	12 ~ 13
CONTROL SYSTEM	12 ~ 13
水下装置壳体&驱动系统 I	14 ~ 16
LOWER CASING & DRIVE I	14 ~ 16
水下装置壳体&驱动系统 II	17
LOWER CASING & DRIVE II	17
电气系统 I	18
ELECTRICAL SYSTEM I	18
电气系统 II	19 ~ 20
ELECTRICAL SYSTEM II	19 ~ 20
电气系统 III	21 ~ 22
ELECTRICAL SYSTEM III	21 ~ 22
曲轴&活塞	23 ~ 24
CRANKSHAFT & PISTON	23 ~ 24
曲轴箱	25 ~ 27
CRANKCASE	25 ~ 27
燃油系统	28 ~ 29
FUEL SYSTEM	28 ~ 29
进气系统	30 ~ 32
INTAKE SYSTEM	30 ~ 32
化油器总成	33 ~ 34
CARBURETOR ASSY	33 ~ 34
顶罩组件	35 ~ 36
TOP COWLING ASSY	35 ~ 36
起动机	37 ~ 38
STARTER	37 ~ 38
燃油箱	39
FUEL TANK	39
操纵盒组件	40 ~ 42
CONTROL BOX ASSY	40 ~ 42

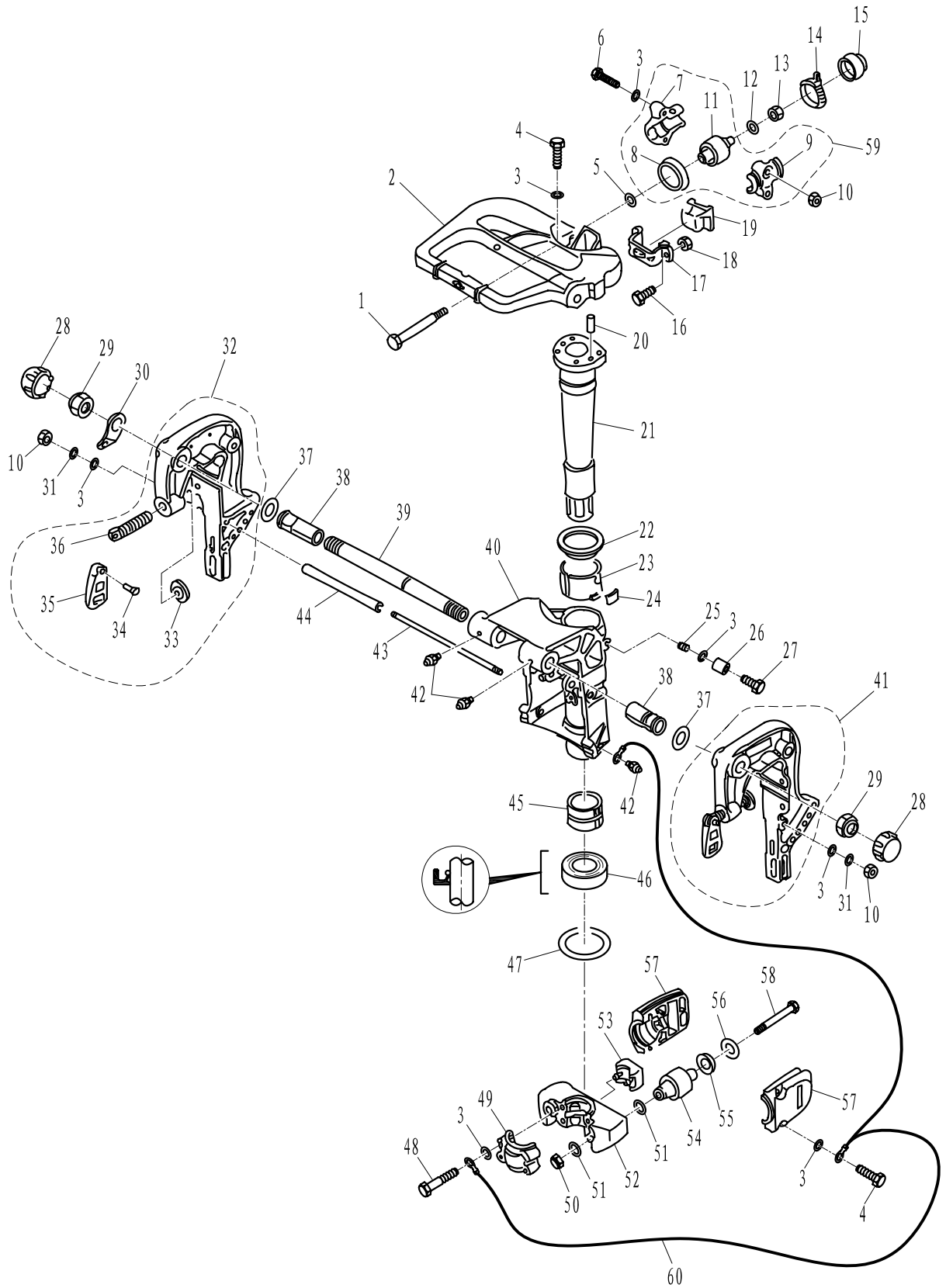


零部件名称:

托架 I

PARTS NAME:

BRACKET I



零部件名称:

托架 I

PARTS NAME:

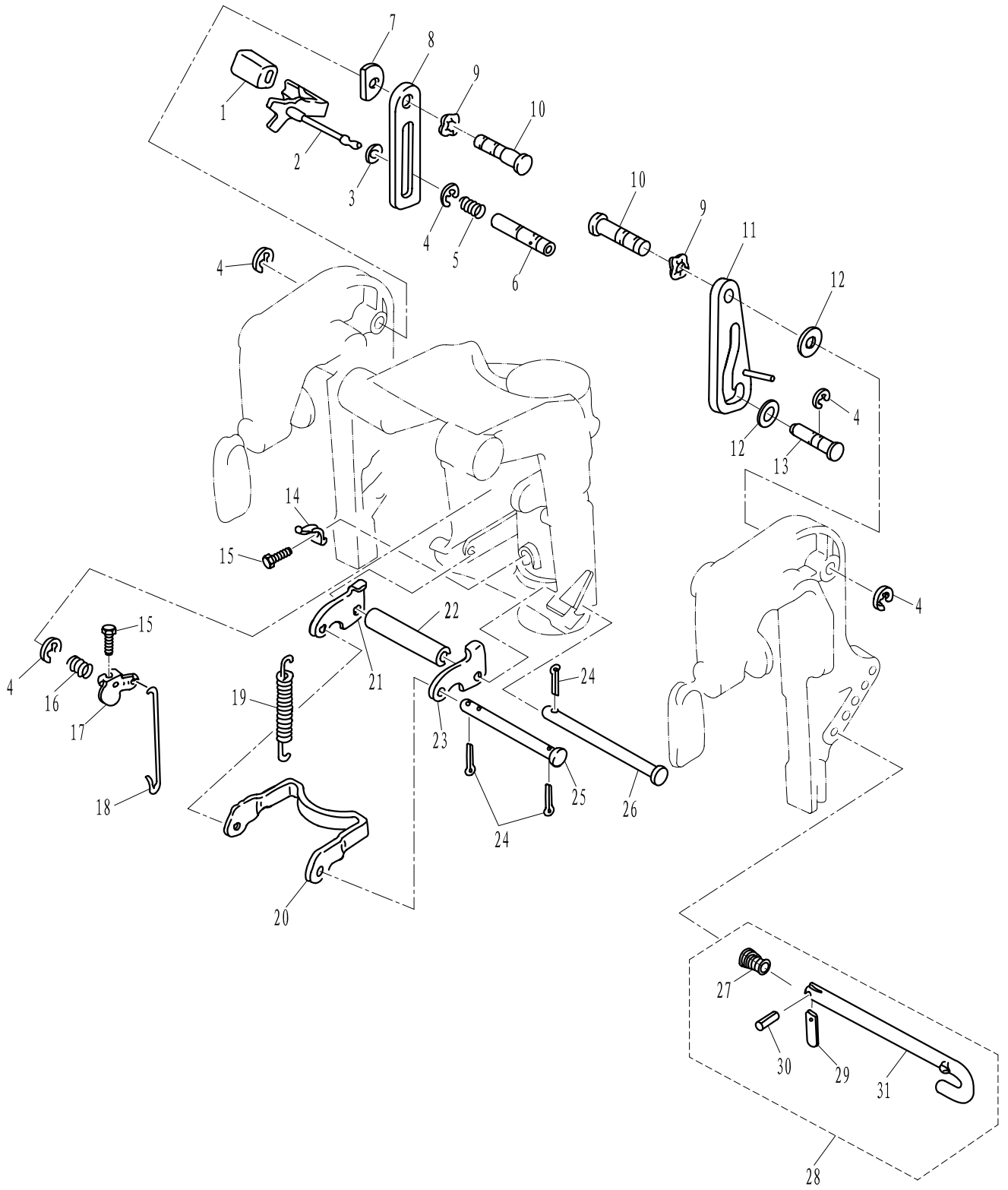
BRACKET I

SN. 参照号码	PART NO. 零件编号	DESCRIPTION 零件名称 (中文)	DESCRIPTION 零件名称 (英文)	QTY 数量					REMARKS 备注
1	T36-00000002	减震器螺钉	BOLT, ABSORBER	2					
2	T36-01020001	操舵托架	BRACKET STEERING	1					
3	GB/T97.1-8	平垫圈8	WASHER 8	19					
4	GB/T5783-M8x30	六角螺栓M8x30	BOLT M8x30	8					
5	T36-00000012	厚垫圈 9	THICK WASHER 9	2					
6	GB/T5782-M8x50	六角螺栓 M8x50	BOLT M8x50	4					
7	T36-02010001	减震器上盖	UPPER COVER, ABSORBER	2					
8	T36-02010103	减震器橡胶圈	RUBBER LOOP, ABSORBER	2					
9	T36-02010002	减震器下盖	LOWER COVER, ABSORBER	2					
10	T36-02000004	六角螺母 M8	NUT M8	6					
11	T36-02010100	减震器A	ABSORBER A	2					
12	F25-01010010	厚垫圈 8	THICK WASHER 8	2					
13	GB/T889.1-M8x1.25	非金属嵌件六角锁紧螺母M8x1.25	LOCKING NUT M8x1.25	2					
14	HT3.5x120	尼龙扎带 HT3.5x120	CLAMP	2					
15	T36-00000003	减震器胶帽	LUBBER CAP, ABSORBER	2					
16	GB/T5783-M6x25	六角螺栓M6x25	BOLT M6x25	2					
17	T36-00000005	减震块挡板	BAFFLE	1					
18	GB/T6170-M6	六角螺母 M6	NUT M6	2					
19	T36-00000004	托架减震块	ABSORBER, BRACKET	1					
20	F25-00000014	定位销 $\phi 8 \times 12$	PIN $\phi 8 \times 12$	2					
21	T36-01020002	操舵托架轴	SHAFT, BRACKET	1					
22	F25-01000003	旋转支架上垫圈	UPPER WASHER, ROTARY BRACKET	1					
23	F25-01000001	旋转支架上衬套	UPPER BUSH, ROTARY BRACKET	1					
24	F25-01000002	上衬套锁紧块组件	LOCKING BLOCK ASSY, UPPER BUSH						
25	T36-01010325	锁紧弹簧	LOCKING SPRING	1					
26	T36-01010326	锁紧护套	JACKET	1					
27	GB/T5783-M8x25	六角螺栓 M8x25	BOLT M8x25	1					
28	F25-01010011	塑料装饰螺母	NUT, PLASTIC	2					
29	F15-01010007	托架夹紧螺母	CLAMP NUT, BRACKET	2					
30	F25-01010004	双孔固定板	PLATE	1					
31	GB/T93-8	弹性垫圈 8	SPRING-WASHER 8	2					
32	T36-01010200	夹紧托架 (右) 组件	CLAMP BRACKET ASSY (RIGHT)	1					
33	F4-01010003	舰板夹紧圆盘	CLAMP PAD	2					
34	F25-01010103	舰板夹紧手柄铆钉	RIVET, CLAMP HANDLE	2					
35	F25-01010102	舰板夹紧手柄	CLAMP HANDLE, STERN	2					
36	T36-01010103	舰板夹紧螺杆	CLAMP SCREW	2					
37	F25-01010003	螺管垫圈	WASHER, BOLT	2					
38	F25-01010002	螺管尼龙衬套	BUSH, BOLT	2					
39	F15-01010001	夹紧托架双头螺管	SCREW TUBE, CLAMP BRACKET	1					
40	T36-01010301	旋转支架	ROTARY BRACKET	1					
41	T36-01010100	夹紧托架 (左) 组件	CLAMP BRACKET ASSY (LEFT)	1					
42	JB/T7940.1-M6	直通式压注油杯M6	OILER CUP M6	4					
43	T36-01010001	托架螺栓	BOLT, BRACKET	1					



零部件名称: 托架 II

PARTS NAME: BRACKET II

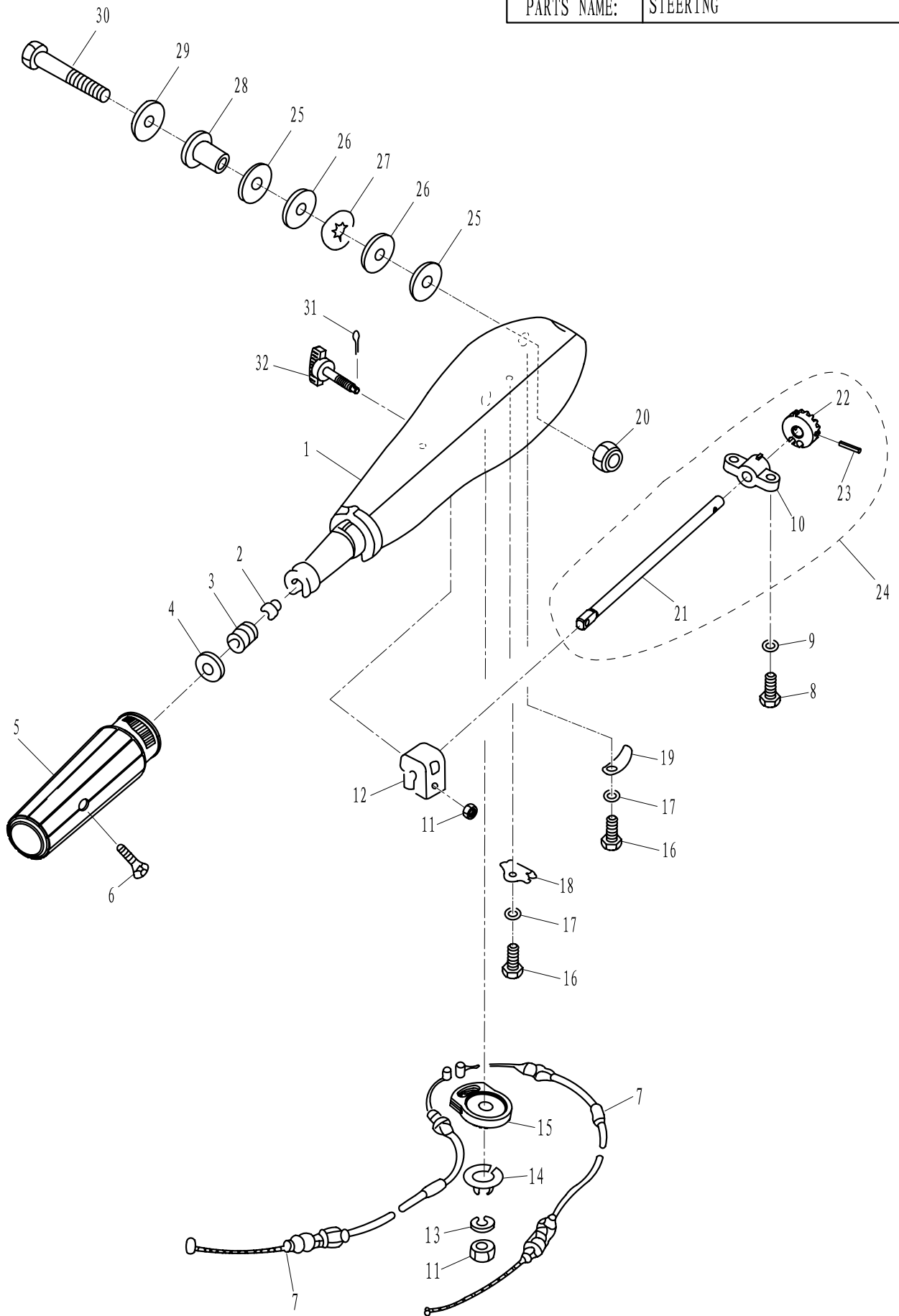






零部件名称: 操舵系统

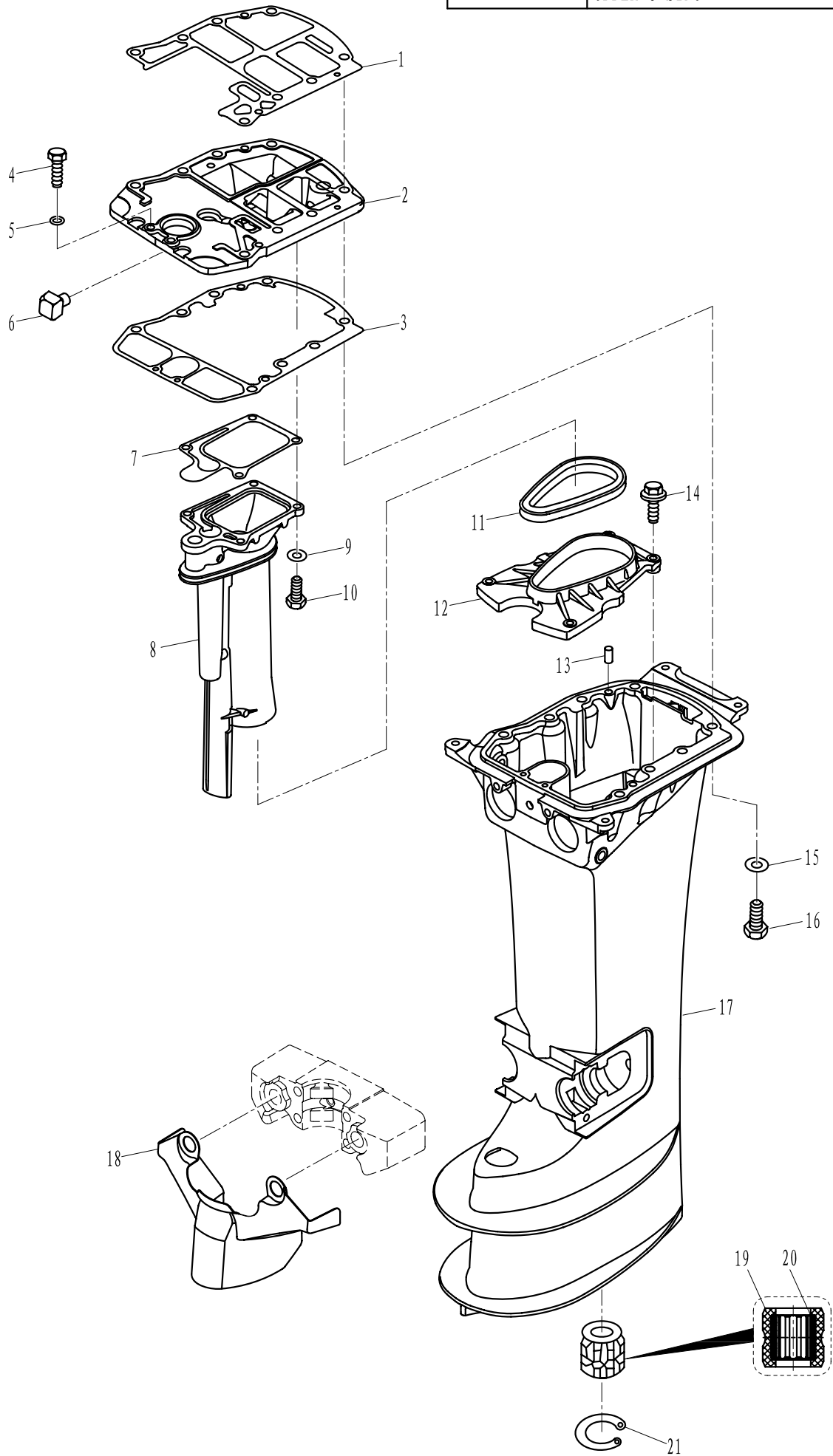
PARTS NAME: STEERING





零部件名称: 水上装置壳体

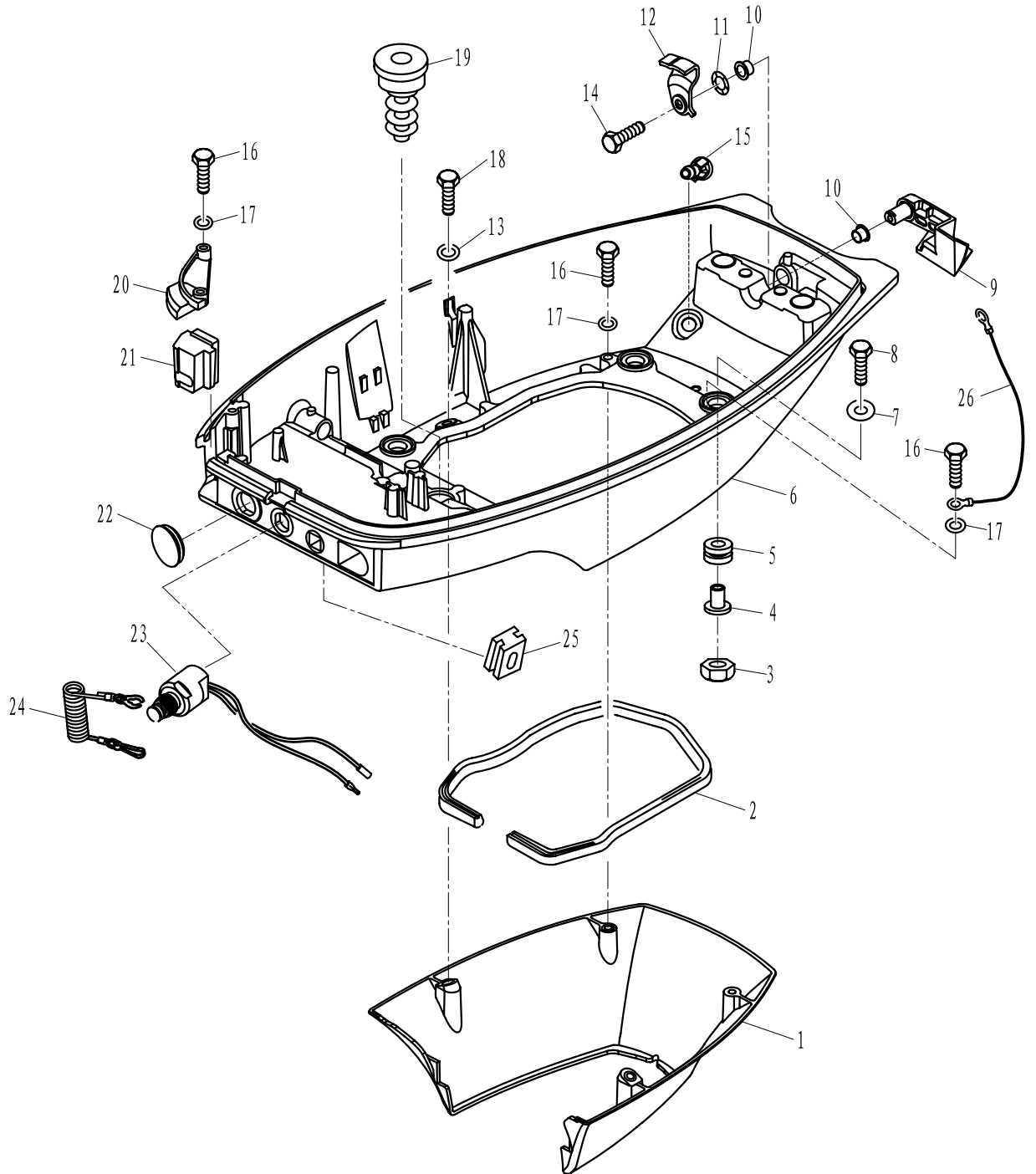
PARTS NAME: UPPER CASING





零部件名称: 底罩

PARTS NAME: BOTTOM COWLING



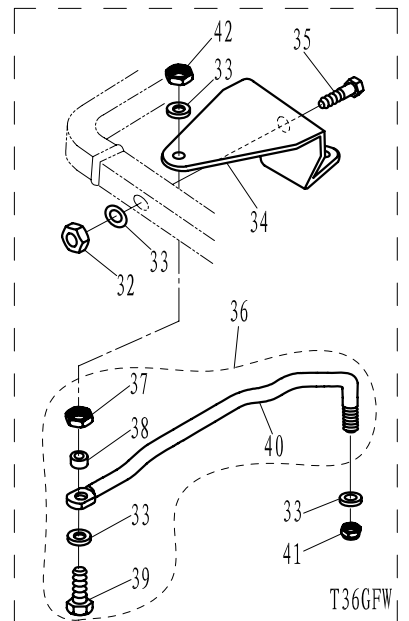
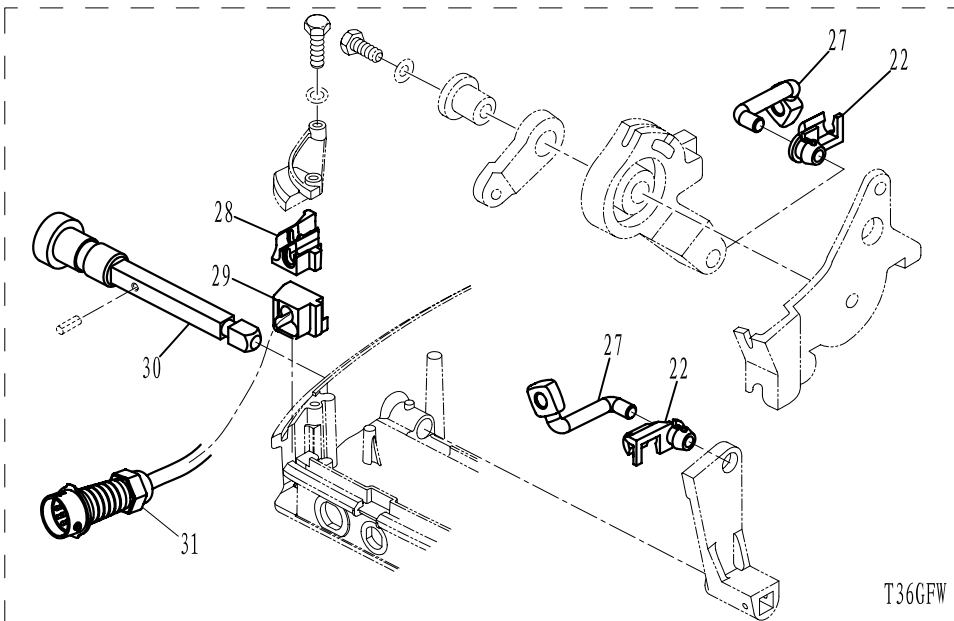
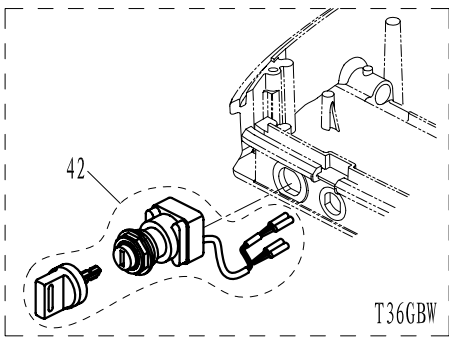
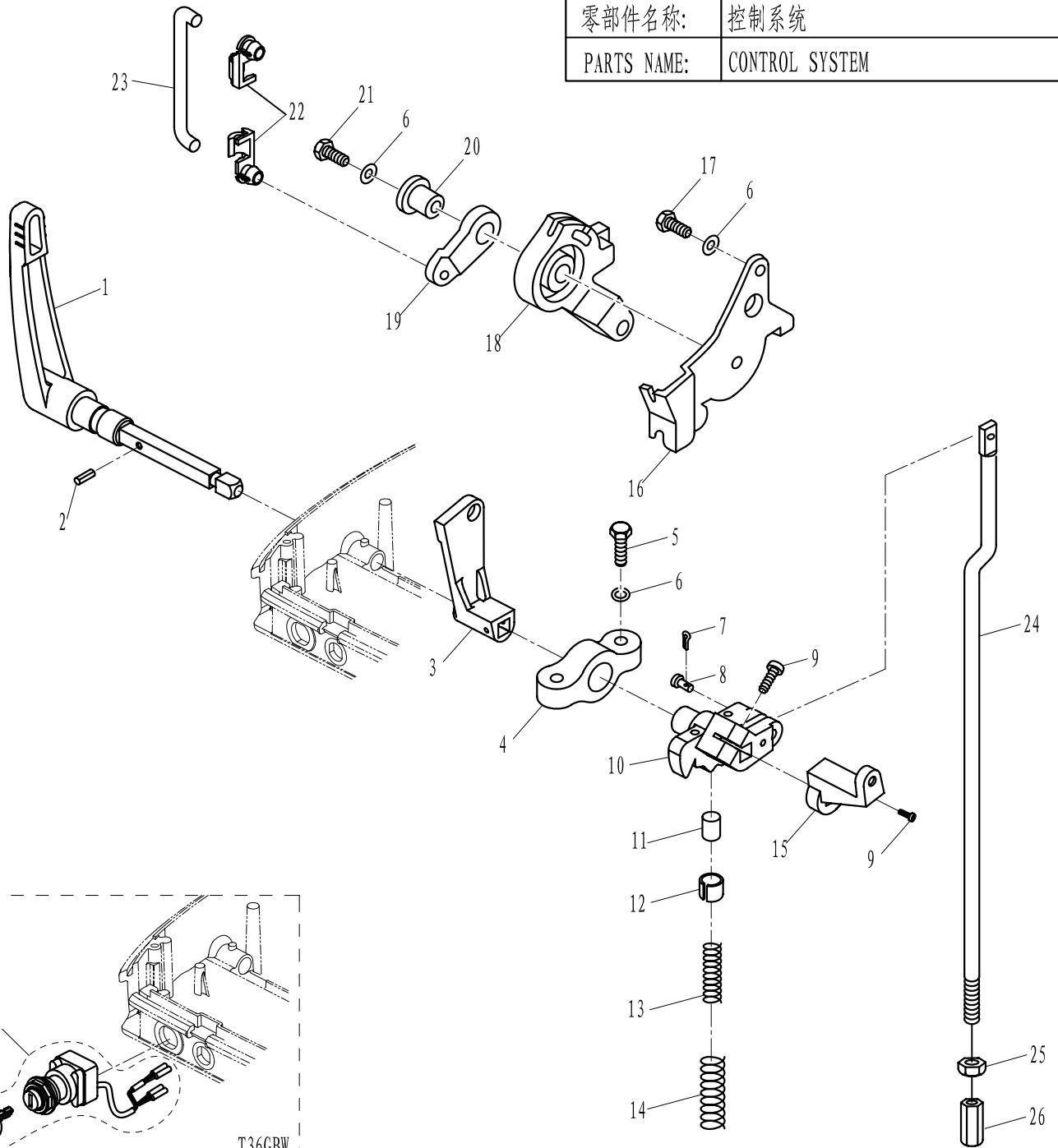


零部件名称:

控制系统

PARTS NAME:

CONTROL SYSTEM



零部件名称:

控制系统

PARTS NAME:

CONTROL SYSTEM

SN. 参照号码	PART NO. 零件编号	DESCRIPTION 零件名称(中文)	DESCRIPTION 零件名称(英文)	QTY 数量				REMARKS 备注
1	T36-05010100	变档手柄组件	HANDLE ASSY, SHIFT GEAR	1				
2	GB/T879. 2-φ 2. 5x14	轻型直槽弹性圆柱销 φ 2. 5x14	PIN φ 2. 5x14	1				
3	T36-05010002	制动器摇臂B	ROCKER B, DETENT	1				
4	F15-05040002	变档杆支座	BEARER, SHIFT ROD	1				
5	GB/T5783-M6x25	六角螺栓 M6x25	BOLT M6x25	2				
6	GB/T97. 1-6	平垫圈6	WASHER 6	4				
7	GB/T91-φ 1. 6x10	开口销 φ 1. 6x10	COTTER PIN φ 1. 6x10	1				
8	T36-05000014	连接杆销轴	AXIS PIN, CONNECTING LEVER	1				
9	GB/T845-ST3. 9x20	十字槽盘头自攻螺钉 ST3. 9x20	SCREW ST3. 9x20	2				
10	T36-05010200	变档档位块	BLOCK, SHIFT ROD	1				
11	T20-03000006	变档凸轮柱塞	PLUNGER, SHIFT CAM	1				
12	T36-05000010	柱塞导管	BUSHING, PLUNGER	1				
13	T36-05000012	柱塞弹簧B	SPRING B, PLUNGER	1				
14	T36-05000011	柱塞弹簧A	SPRING A, PLUNGER	1				
15	T36-05010001	制动器摇臂A	ROCKER A, DETENT	1				
16	T36-04000201	油门执行器固定板	PLATE, ACCELEROGRAPH ACTUATOR	1				
17	GB/T5783-M6x16	六角螺栓 M6x16	BOLT M6x16	1				
18	T36-04000202	油门执行器主动滑轮	CHAIN WHEEL, ACCELEROGRAPH	1				
19	T36-04000203	油门执行器从动滑轮	DRIVEN WHEEL, ACCELEROGRAPH	1				
20	T36-04000204	油门执行器衬管	BUSH, ACCELEROGRAPH ACTUATOR	1				
21	GB/T5783-M6x30	六角螺栓 M6x30	BOLT M6x30	1				
22	T36-04000205	油门连杆接头	JOINT, CONNECTING ROD	4				
23	T36-04000206	油门连杆	CONNECTING ROD, ACCELEROGRAPH	1				
24	T36-05000013	变档连接杆	CONNECTING LEVER, SHIFT GEAR	1				
25	T36-05000035	柱状螺母	NUT, PLUNGER	1				
26	GB/T6170-M7	六角螺母 M7	NUT M7	1				
27	T36-04000028W	推拉索接头	JOINT	2				
28	T36-05000040W	推拉索固定架	CLAMP, CABLE	1				
29	T36-05000005W	异形橡胶闷头B	RUBBER PLUG "B"	1				
30	T36-05010100W	变档杆组件	HANDLE, GEAR SHIFT	1				
31	T36-04000803W	点火线索	WIRE	1				
32	GB/889. 1-M10x1. 25	非金属嵌件六角锁紧螺母M10x1. 25	LOCKING NUT M10	1				
33	GB/T97. 1-10	平垫圈10	WASHER 10	4				
34	T20-04000902W	转向连接板	PLATE	1				
35	GB/T5783-M10x1. 25x40	六角螺栓M10x1. 25x40	BOLT M10x1. 25x40	1				
36	T20-04000900W	转向连杆组件	LINK ROD ASSY	1				
37	F25-07000304W	六角螺母3/8"	NUT	1				
38	F25-07000303W	螺栓垫管	BUSH, BOLT	1				
39	F15-11020002W	转向连杆螺栓	BOLT	1				
40	T20-04000901W	转向连杆	LINK ROD	1				
41	F25-07000006W	非金属嵌件六角锁紧薄螺母3/8"	NUT, LOCKING	2				
42	F15-05000100BW	起动开关	START SWITCH	1				

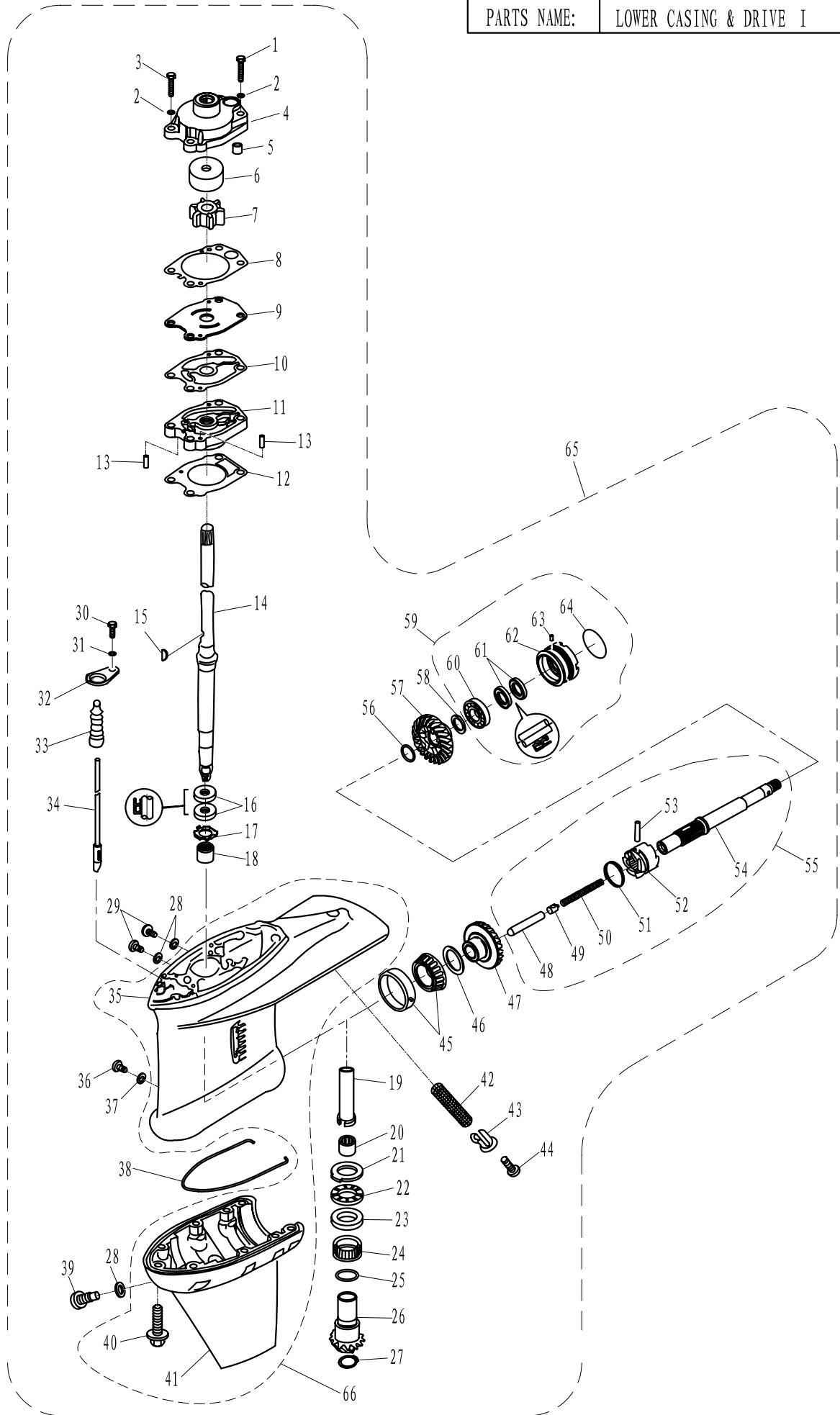


零部件名称:

水下装置壳体 & 驱动系统 I

PARTS NAME:

LOWER CASING & DRIVE I



零部件名称:

水下装置壳体 &amp; 驱动系统 I

PARTS NAME:

LOWER CASING &amp; DRIVE I

SN. 参照号码	PART NO. 零件编号	DESCRIPTION 零件名称(中文)	DESCRIPTION 零件名称(英文)	QTY 数量					REMARKS 备注
1	GB/T5782-M8x55	六角螺栓 M8x55	BOLT M8x55	2					
2	GB/T97.1-8	平垫圈8	WASHER 8	4					
3	GB/T5782-M8x45	六角螺栓 M8x45	BOLT M8x45	2					
4	T36-03000301	水泵壳体	SHELL , WATER PUMP	1					
5	T36-03000303	水管下导向套	LOWER BUSHING, WATER PIPE	1					
6	T36-03000302	水泵内壳	INNER SHELL, WATER PUMP	1					
7	T36-03000200	水泵叶轮	IMPELLER, WATER PUMP	1					
8	T36-03000106	外档板上密封垫	UPPER GASKET, OUTER PLATE	1					
9	T36-03000105	外档板	OUTER PLATE	1					
10	T36-03000104	外档板下密封垫	LOWER GASKET, OUTER PLATE	1					
11	T36G-03000026	驱动轴座	BASE , DRIVE SHAFT	1					
12	T36-03000019	驱动轴座密封垫	GASKET	1					
13	F25-04000007	定位销Φ4x10	DOWEL PIN Φ4x10	3					
14	T36G-03000100	驱动轴组件	DRIVE SHAFT ASSY	1					L
	T36G-03000100S	驱动轴组件S	DRIVE SHAFT ASSY (S)						S
15	T36-03000012	叶轮半圆键	SEMICIRCULAR KEY	1					
16	F25-04010003	驱动轴座油封 22x36x6	OIL SEAL 22x36x6	2					
17	T36G-03000005	驱动轴垫圈	WASHER, DRIVE SHAFRT	1					
18	T36G-03000002	滚针轴承 F-1720	QUILL BEARING F-1720	1					
19	T36G-03000003	长尼龙套管	BUSHING , NYLON	1					
20	T36G-03000004	滚针轴承 B-1516	QUILL BEARING B-1516	1					
21	T36G-03000006	轴承垫片A	BEARING WASHER A	1					
22	T36G-03000007	平面轴承	BEARING	1					
23	T36G-03000008	轴承垫片B	BEARING WASHER B	1					
24	T36G-03000009	滚子轴承 (503001满针18)	QUILL BEARING	1					
25	T36G-03000010-1	小齿轮填隙片0.7	SHIM(t: 0.7mm)	1					
	T36G-03000010-2	小齿轮填隙片0.75	SHIM(t: 0.75mm)						
	T36G-03000010-3	小齿轮填隙片0.8	SHIM(t: 0.8mm)						
	T36G-03000010-4	小齿轮填隙片0.85	SHIM(t: 0.85mm)						
26	T36G-03000011	小齿轮	PINION	1					
27	GB/T894.1-16	轴用弹性挡圈16	SPRING WASHER 16	1					
28	F4-03000024	注油孔螺塞垫	GASKET	3					
29	F4-03000023	注油孔螺塞	PLUG, HOLE OIL	2					
30	GB/T5783-M6x10	六角螺栓 M6x10	BOLT M6x10	1					
31	GB/T97.1-6	平垫圈6	WASHER 6	1					
32	T36G-03000024	波纹套压板	PLATE, WAVE JACKET	1					
33	T36-03000008	波形橡胶套	JACKET, WAVE	1					
34	T36G-03000400L	变档凸轮组件(L)	CAM ASSY, SHIFT ROD(L)	1					L
	T36G-03000400S	变档凸轮组件(S)	CAM ASSY, SHIFT ROD(S)						S
35	T36G-03000001	水下装置壳体	LOWER CASING	1					
36	T36-03000017	变档凸轮定位螺栓	PLUG, SHIFT ROD	1					
37	T36-03000024	定位螺栓密封垫	GASKET	1					
38	T36G-03000019	外盖密封条	SEAL, COVER	1					

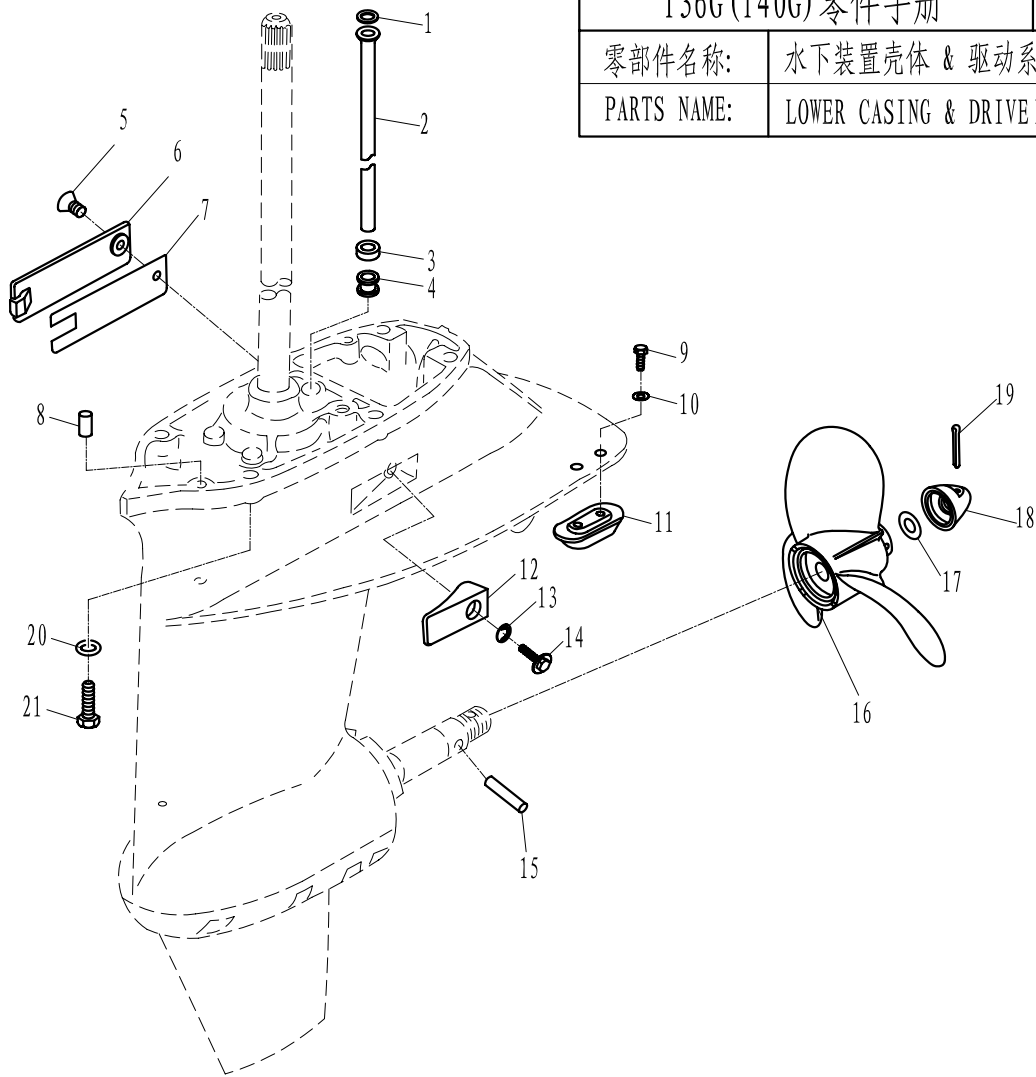


零部件名称:

水下装置壳体 &amp; 驱动系统 II

PARTS NAME:

LOWER CASING &amp; DRIVE II



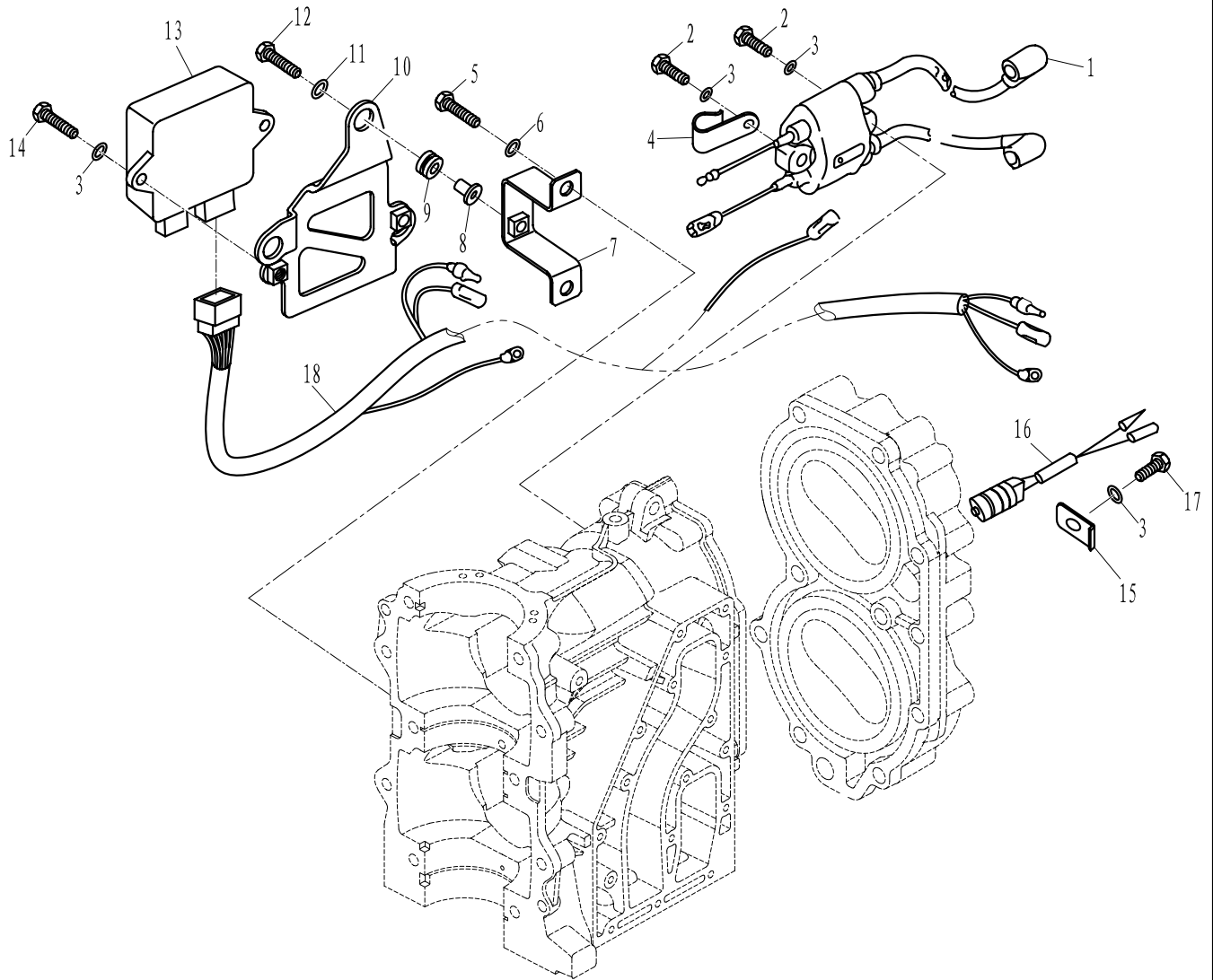
SN. 参照号码	PART NO. 零件编号	DESCRIPTION 零件名称 (中文)	DESCRIPTION 零件名称 (英文)	QTY 数量					REMARKS 备注
1	T40-02010003	水管尼龙垫圈	NYLON WASHER, WATER PIPE	1					
2	T36-00010006L	水管L	WATER PIPE (L)	1					L
	T36-00010006S	水管S	WATER PIPE (S)						S
3	T40-02010005	水管密封圈	SEAL, WATER PIPE	1					
4	T36-02000002	水管导向套	ORIENTED BUSHING, WATER PIPE	1					
5	GB/T820-M6x12	十字槽半沉头螺钉M6x12	CROSS BOLT M6x12	1					
6	T36G-03000031	塑料盖板	PLASTIC BOARD	1					
7	T36G-03000032	盖板密封垫	GASKET, BOARD	1					
8	F15-00000006	定位销 $\phi 6 \times 12$	DOWEL PIN $\phi 6 \times 12$	2					
9	GB/T5783-M6x16	六角螺栓 M6x16	BOLT M6x16	2					
10	GB/T97.1-6	平垫圈6	WASHER 6	2					
11	T36G-03000034	水下阳极B	LOWER ANODE B	1					
12	T36G-03000022	水下阳极A	LOWER ANODE A	1					
13	GB/T861.1-6	内齿锁紧垫圈6	LOCK WASHER 6	1					
14	T36G-03000023	阳极螺栓	BOLT, ANODE	1					
15	T36G-03000503	螺旋桨限位销	DOWEL PIN	1					
16	T36G-03000500	螺旋桨组件	PROPELLER ASSY	1					
17	T36G-03000504	鞍形垫圈	SADDLE-BACKED WASHER	1					
18	T36G-03000505	螺旋桨螺母	NUT, PROPELLER	1					
19	GB/T91- $\phi 4 \times 40$	开口销 $\phi 4 \times 40$	COTTER PIN $\phi 4 \times 40$	1					
20	GB/T97.1-8	平垫圈8	WASHER 8	6					
21	T36-00000013	凸缘螺栓M8x30	BOLT M8x30	6					

零部件名称:

电气系统 I

PARTS NAME:

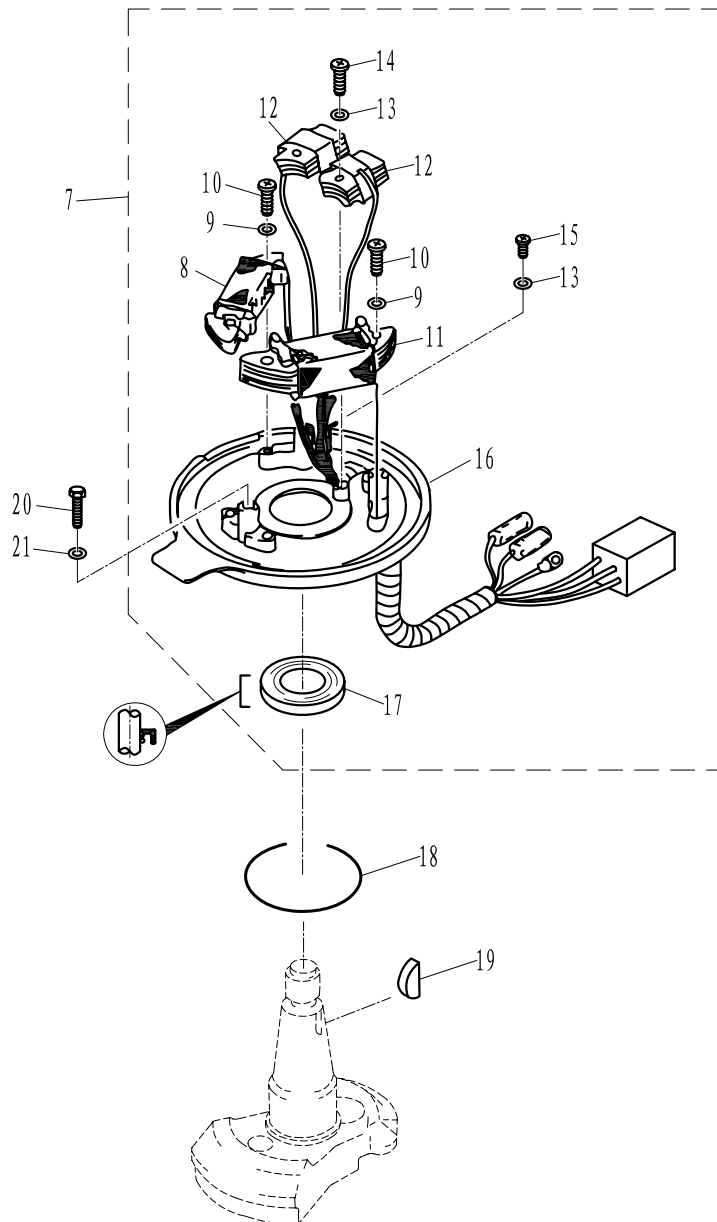
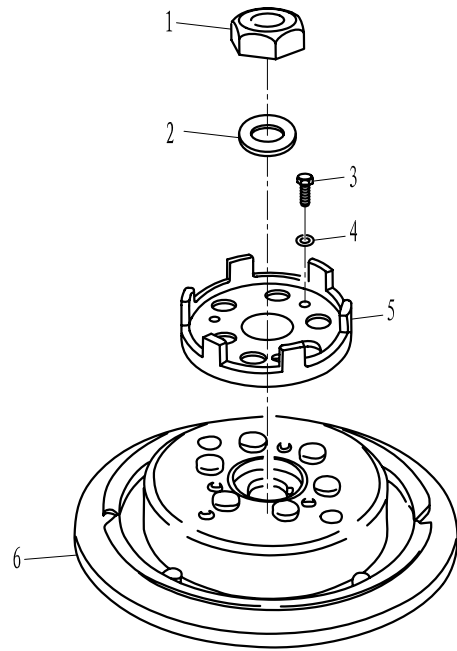
ELECTRICAL SYSTEM I



SN. 参照号码	PART NO. 零件编号	DESCRIPTION 零件名称 (中文)	DESCRIPTION 零件名称 (英文)	QTY 数量				REMARKS 备注
1	T36-04000600	高压包组件	HIGH PRESSURE ASSY	1				
2	GB/T5783-M6x25	六角螺栓 M6x25	BOLT M6x25	2				
3	GB/T97.1-6	平垫圈 6	WASHER 6	5				
4	T36-04000023	线卡	CLIP	1				
5	GB/T5783-M8x16	六角螺栓 M8x16	BOLT M8x16	2				
6	GB/T97.1-8	平垫圈 8	WASHER 8	2				
7	T36-04000702	点火器支架	BRACKET, IGNITION	1				
8	T40-05000028	点火器垫管	PIPE, IGNITION	3				
9	T40-05000029	点火器减震圈	DAMPER, IGNITION	3				
10	T36-04000701	点火模块固定板	PLATE, C. D. I	1				
11	GB/T96-6	大垫圈 6	BIG WASHER 6	3				
12	GB/T5783-M6x30	六角螺栓 M6x30	BOLT M6x30	3				
13	T36-04000800	点火模块	C. D. I UNIT ASSY	1				
14	GB/T5783-M6x20	六角螺栓 M6x20	BOLT M6x20	2				
15	T36-04000027	温控器压板	PLATE, THERMO WITCH	1				
16	T40-05000100	温控器组件	THERMO WITCH ASS'Y	1				
17	GB/T5783-M6x16	六角螺栓 M6x16	BOLT M6x16	1				
18	T36-04000801	点火线索	WIRE, C. D. I UNIT ASSY	1				

零部件名称: 电气系统 II

PARTS NAME: ELECTRICAL SYSTEM II



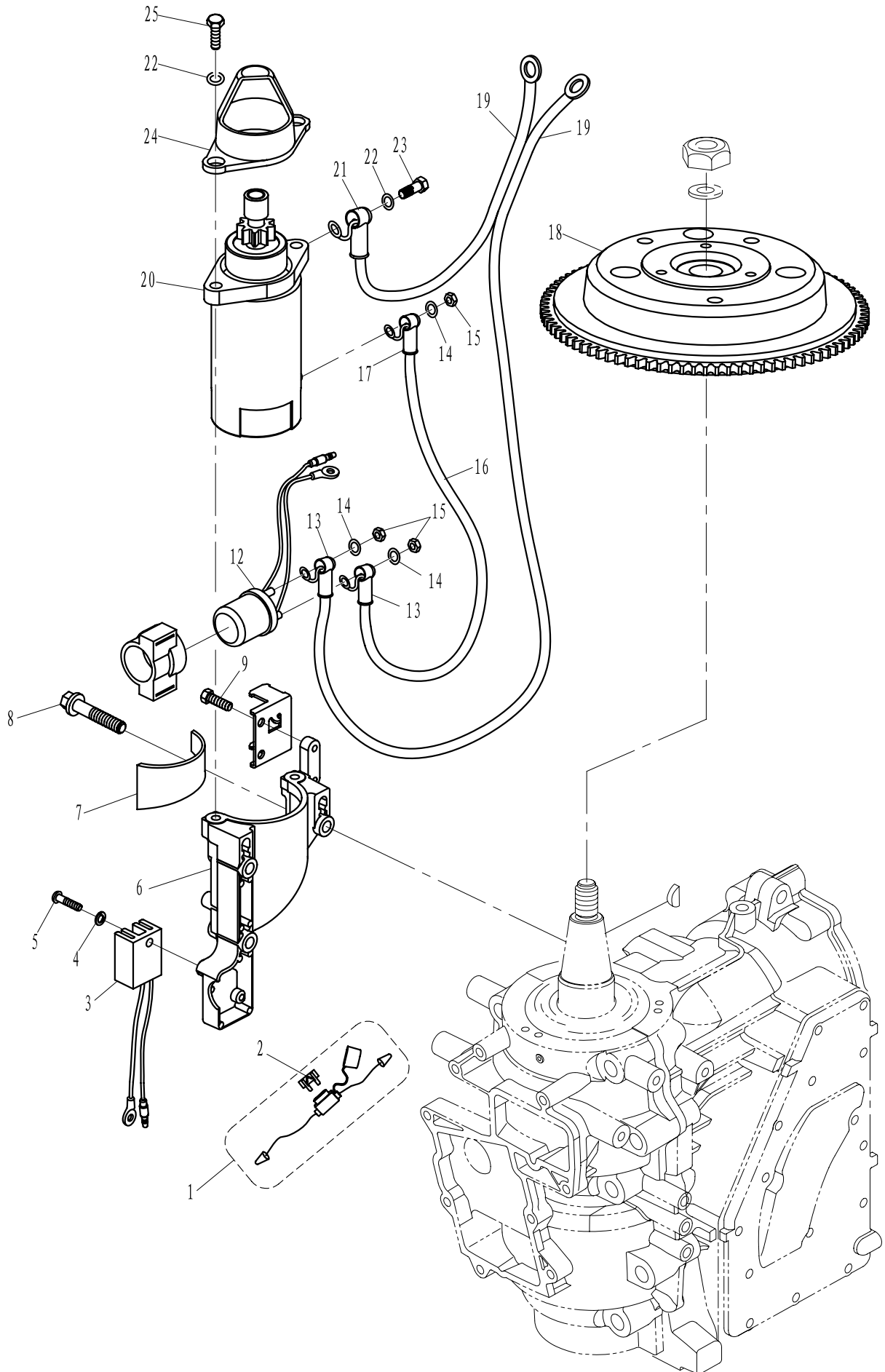


零部件名称:

电气系统 III

PARTS NAME:

ELECTRICAL SYSTEM III





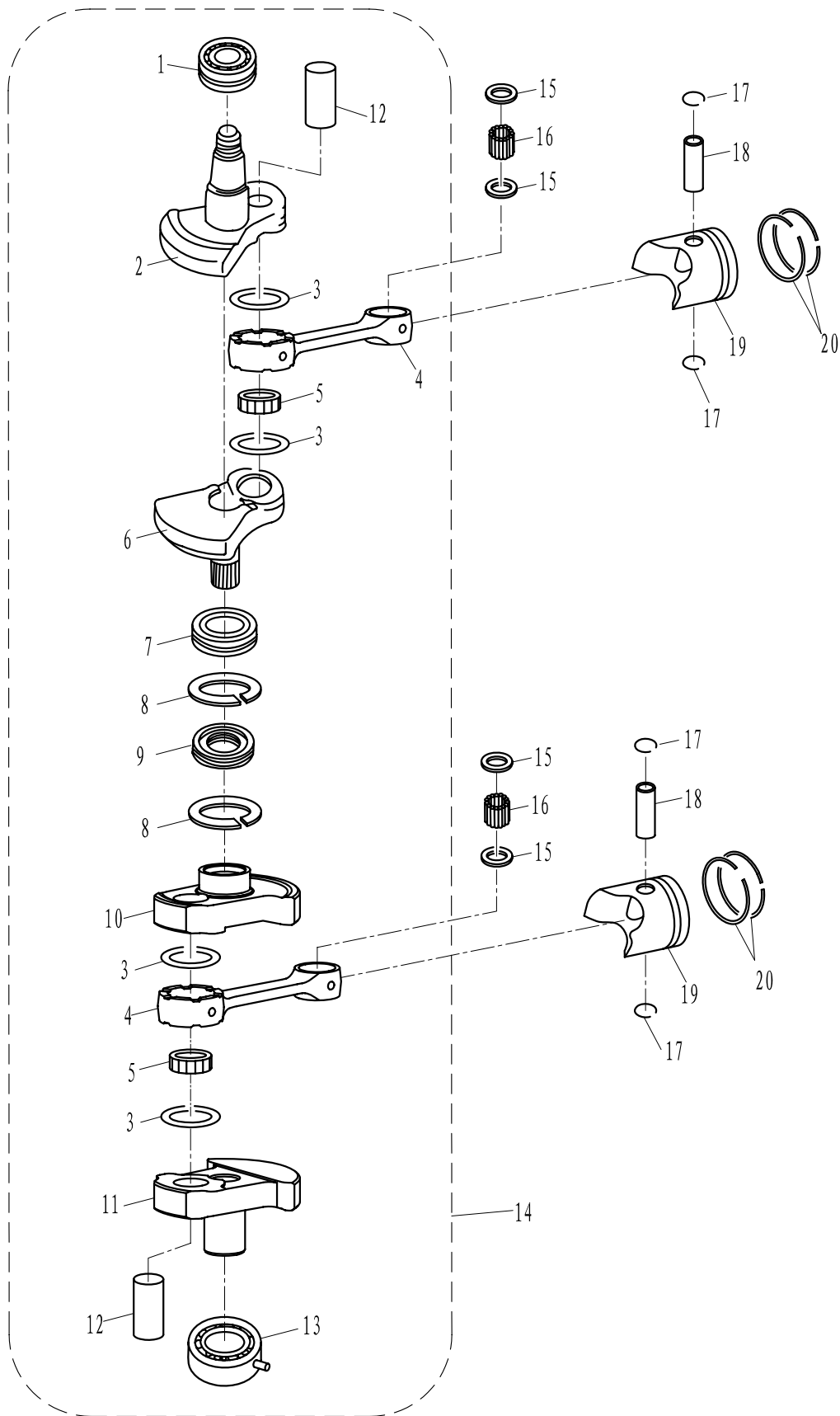


零部件名称:

曲轴&活塞

PARTS NAME:

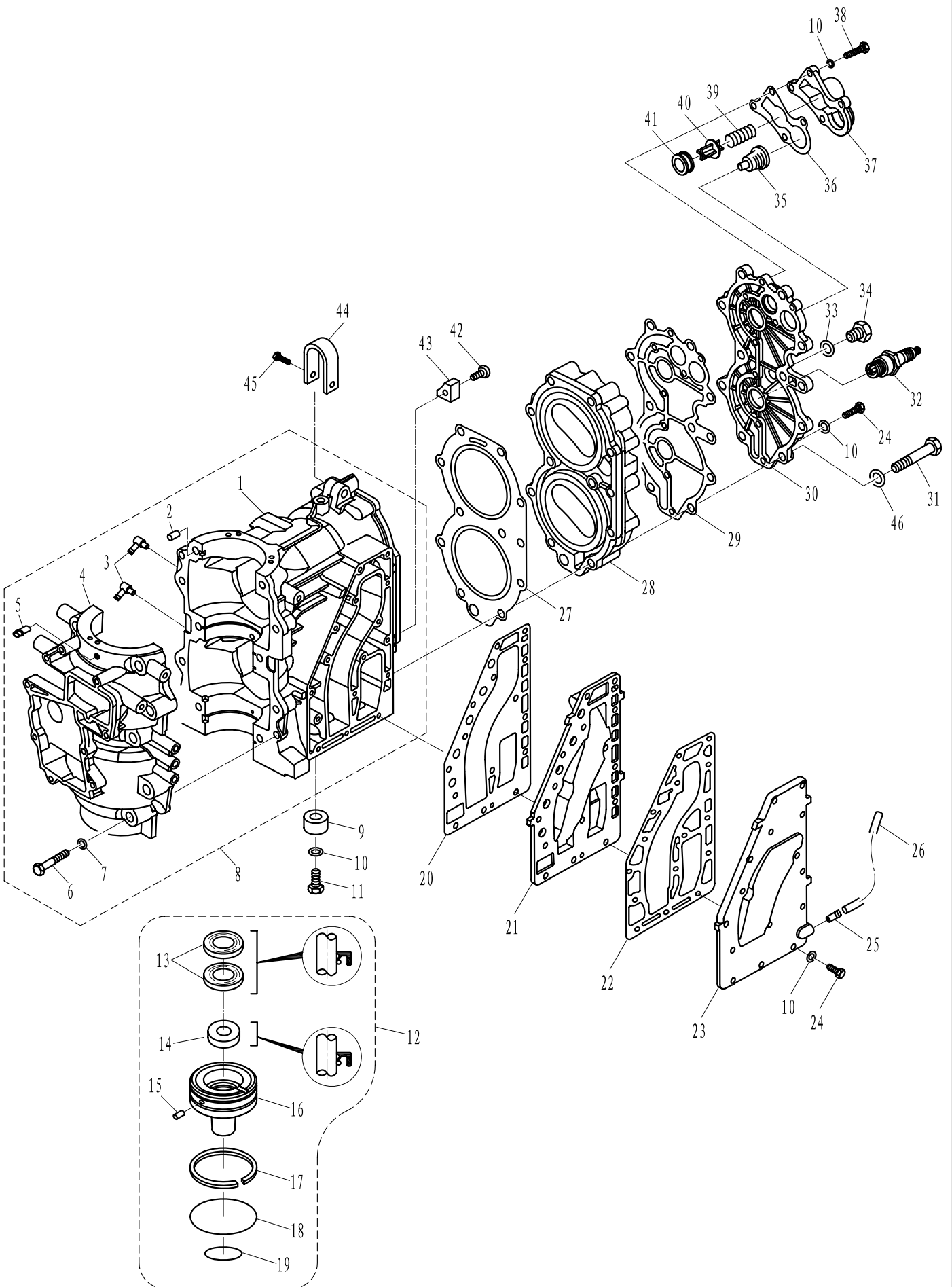
CRANKSHAFT & PISTON





零部件名称: 曲轴箱

PARTS NAME: CRANKCASE



零部件名称:

曲轴箱

PARTS NAME:

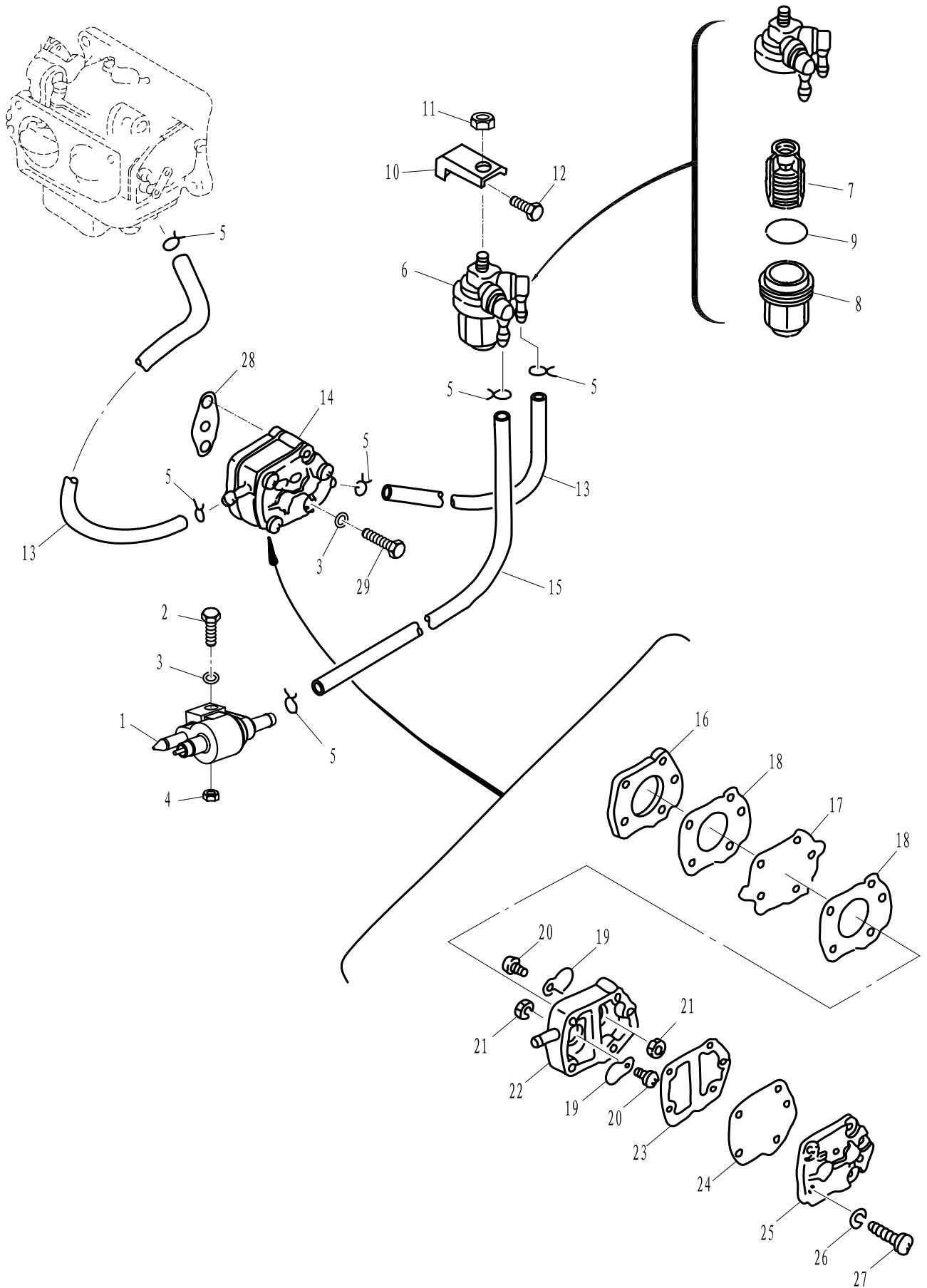
CRANKCASE

SN. 参照号码	PART NO. 零件编号	DESCRIPTION 零件名称 (中文)	DESCRIPTION 零件名称 (英文)	QTY 数量					REMARKS 备注
1	T36-04010100	机体	CYLINDER CASE	1					
2	F25-00000014	定位销Φ8x12	DOWEL PIN Φ8x12	2					
3	T85-05010400	气嘴组件B	GAS NIPPLE ASSY B	2					
4	T36-04010201	机座	CRANKCASE	1					
5	T15-04010202	出水嘴	WATER NIPPLE	1					
6	T40-05000030	六角螺栓M10x1.25x55	BOLT M10x1.25x55	10					
7	GB/T97.1-10	平垫圈 10	WASHER 10	10					
8	T36-04010000	机体机座组件	CRANKCASE ASSY	1					
9	T40-05000001	机体阳极A	ANODE A, CYLINDER CASE	1					
10	GB/T97.1-6	平垫圈 6	WASHER 6	25					
11	GB/T5783-M6x16	六角螺栓 M6x16	BOLT M6x16	1					
12	T36-04020300	油封壳体组件	CASING ASSY, OIL SEAL	1					
13	T40-05010302	油封A 30x42x6	OIL SEAL A 30x42x6	2					
14	F25-02010002	排气歧管座油封 16x30x6	OIL SEAL 16x30x6	1					
15	GB/T879.4-3x5	重型直槽弹性圆柱销3x5	PIN 3x5	1					
16	T36-04020306	油封壳体	CASING, OIL SEAL	1					
17	T40-05020107	油封壳体挡圈	CIRCLIP, OIL SEAL CASING	1					
18	T40-04000205	水泵壳体O型圈	O-RING	1					
19	T36-04020303	油封壳体O型圈A	O-RING A, OIL SEAL CASING	1					
20	T36-04000013	排气内盖密封垫	GASKET, INNER COVER	1					
21	T36-04000014	排气内盖	INNER COVER, EXHAUST	1					
22	T36-04000015	排气外盖密封垫	GASKET, OUTER COVER	1					
23	T36-04000016	排气外盖	OUTER COVER, EXHAUST	1					
24	GB/T5783-M6x25	六角螺栓 M6x25	BOLT M6x25	20					
25	F4-04010102	气嘴	NIPPLE	1					
26	T36-04000017	水管Φ5xΦ9x245	WATER PIPE	1					
27	T36-04000001	缸头复合垫	GASKET, CYLINDER HEAD	1					
28	T36-04000002	气缸盖	CYLINDER COVER	1					
29	T36-04000003	气缸盖垫	GASKET, CYLINDER COVER	1					
30	T36-04000004	气缸外盖	OUTER COVER, CYLINDER	1					
31	T40-05000031	六角螺栓M8x70	BOLT M8x70	11					
32	BPR7HS	火花塞	SPARK PLUG	2					
33	T85-05000003	堵塞密封垫	GASKET	1					
34	T36-04000011	外盖堵塞M14x14	JAM M14x14	1					
35	F15-07000031	节温器S60	THERMOSTAT	1					
36	T36-04000010	节温器密封垫	GASKET, THERMOSTAT	1					
37	T36-04000009	节温器盖	COVER, THERMOSTAT	1					
38	GB/T5783-M6x30	六角螺栓 M6x30	BOLT M6x30	4					
39	T36-04000008	压力阀弹簧	SPRING, PRESSURE VALVE	1					
40	T36-04000007	压力阀芯	CORE, PRESSURE VALVE	1					
41	T36-04000006	压力阀密封圈	SEAL, PRESSURE VALVE	1					
42	GB/T5297-M6x25	沉头螺钉 M6x25	BOLT M6x25	1					
43	T40-05000012	机体阳极B	ANODE B, CYLINDER CASE	1					



零部件名称: 燃油系统

PARTS NAME: FUEL SYSTEM





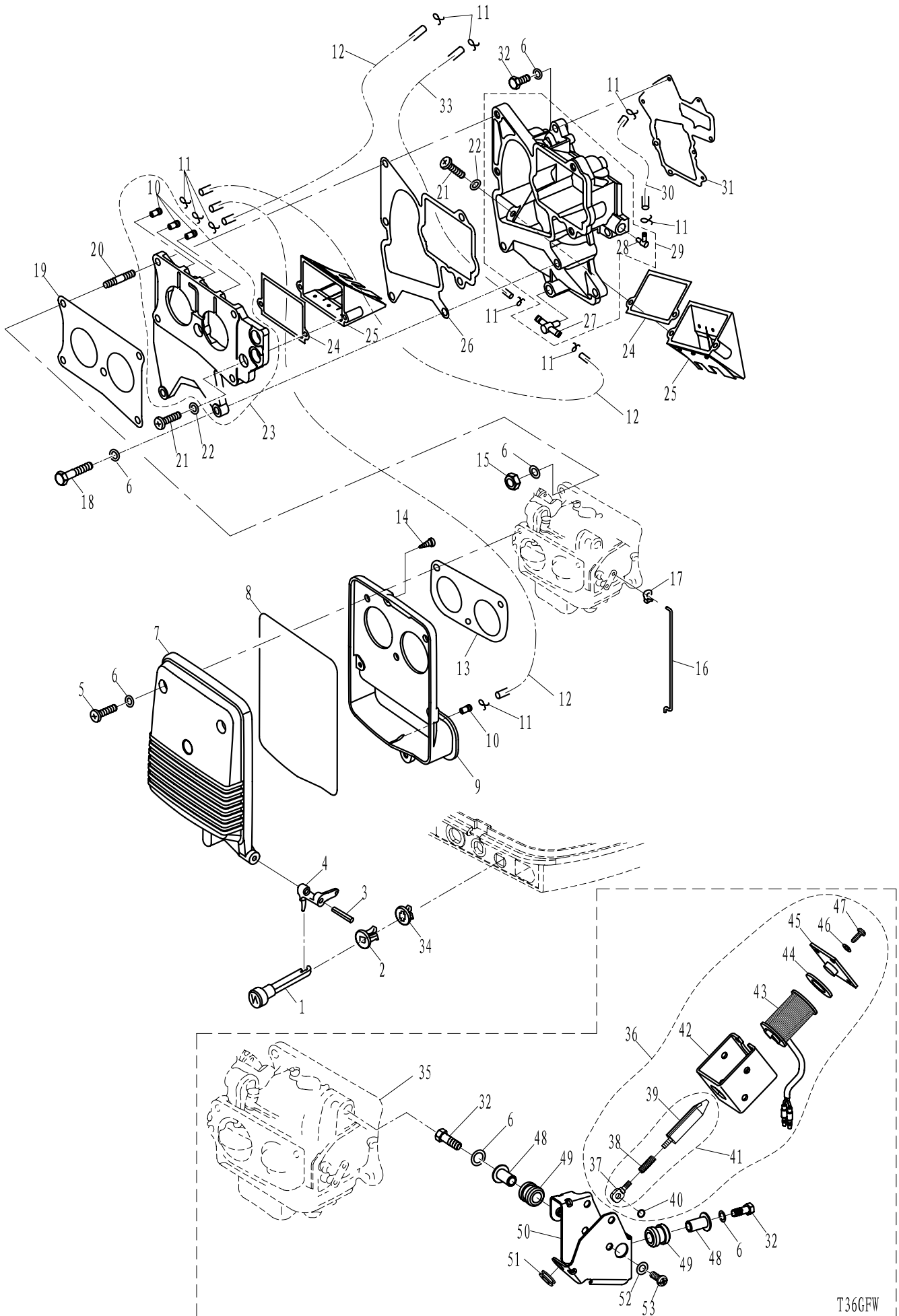


零部件名称:

进气系统

PARTS NAME:

INTAKE SYSTEM



零部件名称:

进气系统

PARTS NAME:

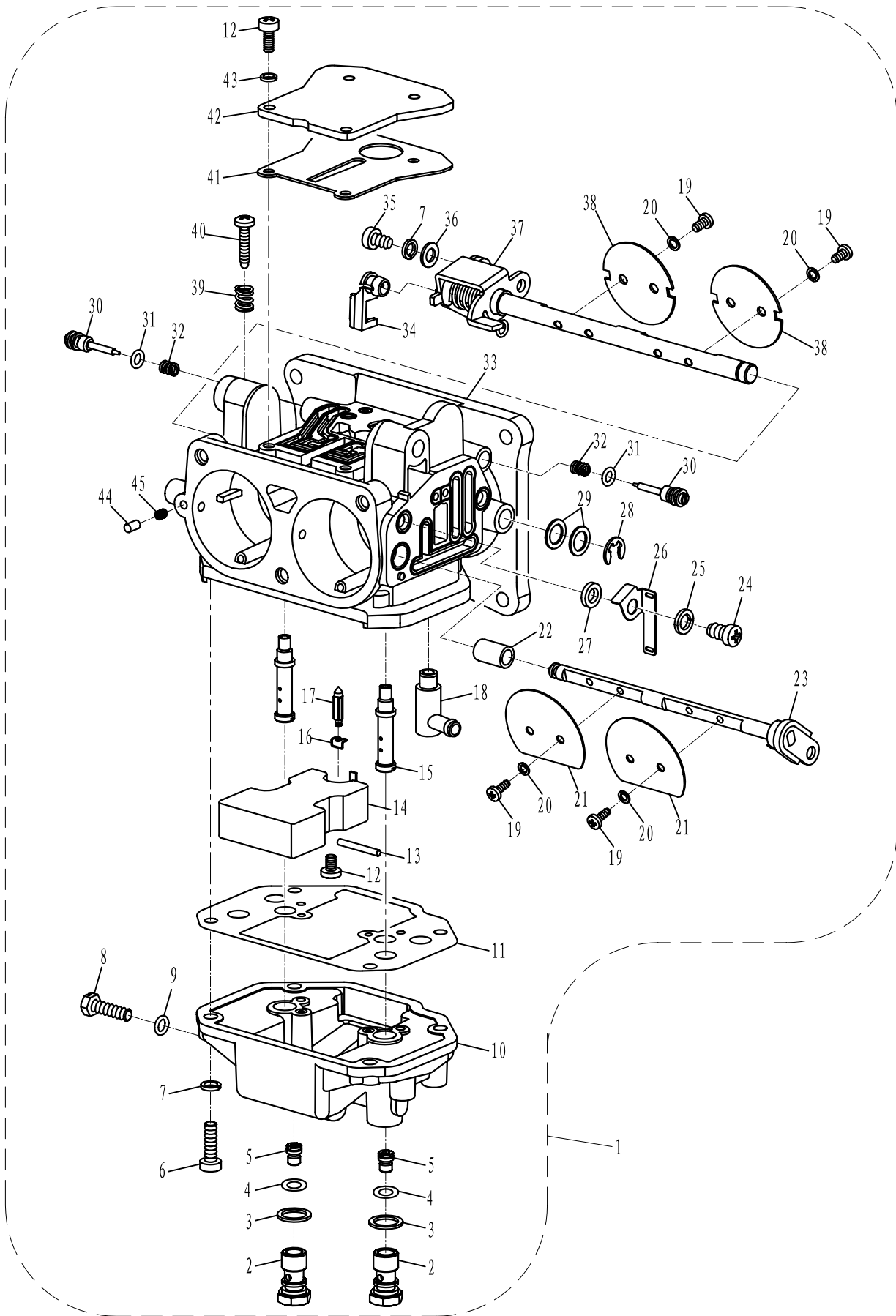
INTAKE SYSTEM

SN. 参照号码	PART NO. 零件编号	DESCRIPTION 零件名称(中文)	DESCRIPTION 零件名称(英文)	QTY 数量					REMARKS 备注
1	T20-04000007	阻风门手柄	HANDLE, AIR CHOKE	1					
2	T15-03010002	阻风门导向套	ORIENTED BUSH, AIR CHOKE	1					
3	GB/T879.2-φ4x30	轻型直槽弹性圆柱销 φ4X30	PIN φ4x30	1					
4	T36-04000405	阻风门摆杆	LEVER, AIR CHOKE	1					
5	GB/T818-M6x35	十字槽盘头螺钉M6x35	SCREW M6x35	3					
6	GB/T97.1-6	平垫圈 6	WASHER 6	19					
7	T36-04000402	进气消音器盖	COVER, INTAKE SILENCER	1					
8	T36-04000403	进气消音器密封圈	SEAL, INTAKE SILENCER	1					
9	T36-04000401	进气消音器壳	SHELL, INTAKE SILENCER	1					
10	T15-04010202	出水嘴	WATER NIPPLE	4					
11	T15-04000013	油管夹簧C	CLIP C, OIL PIPE	10					
12	T36-04030105	回油管C φ3xφ7x325	OIL PIPE C	3					
13	T36-04000026	进气消音器密封垫	GASKET, INTAKE SILENCER	1					
14	GB/T847-ST4.8x16	十字槽沉头自攻螺钉 ST4.8x16	SCREW ST4.8x16	4					
15	GB/T6170-M6	六角螺母 M6	NUT M6	4					
16	T36-04000406	阻风门连杆	CONNECTING ROD, AIR CHOKE	1					
17	T6-05000022	油门控制器连杆接头	TIE-IN, CONNECTING ROD	2					
18	GB/T5783-M6x65	六角螺栓 M6x65	BOLT M6x65	2					
19	T36-04000024	化油器密封垫	GASKET, CARBURETOR	1					
20	GB/T900-M6x25	双头螺栓 M6x25	BOLT M6x25	4					
21	GB/T818-M5x14	十字槽盘头螺钉 M5x14	SCREW M5x14	4					
22	GB/T93-5	弹性垫圈 5	SPRING-WASHER 5	4					
23	T36-04030200	进气歧管座盖组件	COVER ASSY, MANIFOLD SEAT	1					
24	T36-04030101	进气阀座密封垫	GASKET, INTAKE VALVE SEAT	2					
25	T36-04030100	进气阀座组件	VALVE SEAT ASSY, INTAKE	2					
26	T36-04030201	进气歧管座盖密封垫	GASKET, COVER	1					
27	T36-04030104	气嘴组件C	GAS NIPPLE ASSY C	1					
28	T85-05010400	气嘴组件B	GAS NIPPLE ASSY B	1					
29	T36-04030000	进气歧管座组件	SEAT ASSY, INTAKE MANIFOLD	1					
30	T36-04030102	回油管A φ3xφ7x120	OIL PIPE A	1					
31	T36-04000018	进气歧管座密封垫	GASKET, INTAKE MANIFOLD SEAT	1					
32	GB/T5783-M6x25	六角螺栓 M6x25	BOLT M6x25	10					
33	T36-04030103	回油管B φ3xφ7x250	OIL PIPE B	1					
34	T15-03010002	阻风门橡胶套	CASE, RUBBER	1					
35	T36-04000300W	化油器组件	CARBURETOR ASSY	1					
36	T36-04060000	电磁吸铁组件	ELECTROMAGNETIC MAGNET ASSY	1					
37	T40-05000802W	吸铁拉头	HOOK, IRON CORE	1					
38	T40-05000801W	吸铁拉簧	LINK SPRING, IRON CORE	1					
39	F15-11030301W	吸铁铁芯	IRON CORE	1					
40	T85-05160236	吸铁O型圈	O RING	1					
41	T40-05000800W	吸铁铁芯组件	IRON CORE ASSY	1					
42	F15-11030002W	电磁吸铁固定架	FIXED PLATE	1					
43	F15-11030100W	电磁吸铁线圈	CORE ASSY	1					



零部件名称: 化油器总成

PARTS NAME: CARBURETOR ASSY



SN. 参照号码	PART NO. 零件编号	DESCRIPTION 零件名称 (中文)	DESCRIPTION 零件名称 (英文)	QTY 数量					REMARKS 备注
1	T36-04000300	化油器总成	CARBURETOR ASSY	1					
2	T36-04000310	主量孔本体	BODY, MIAN JET	2					

零部件名称:

化油器总成

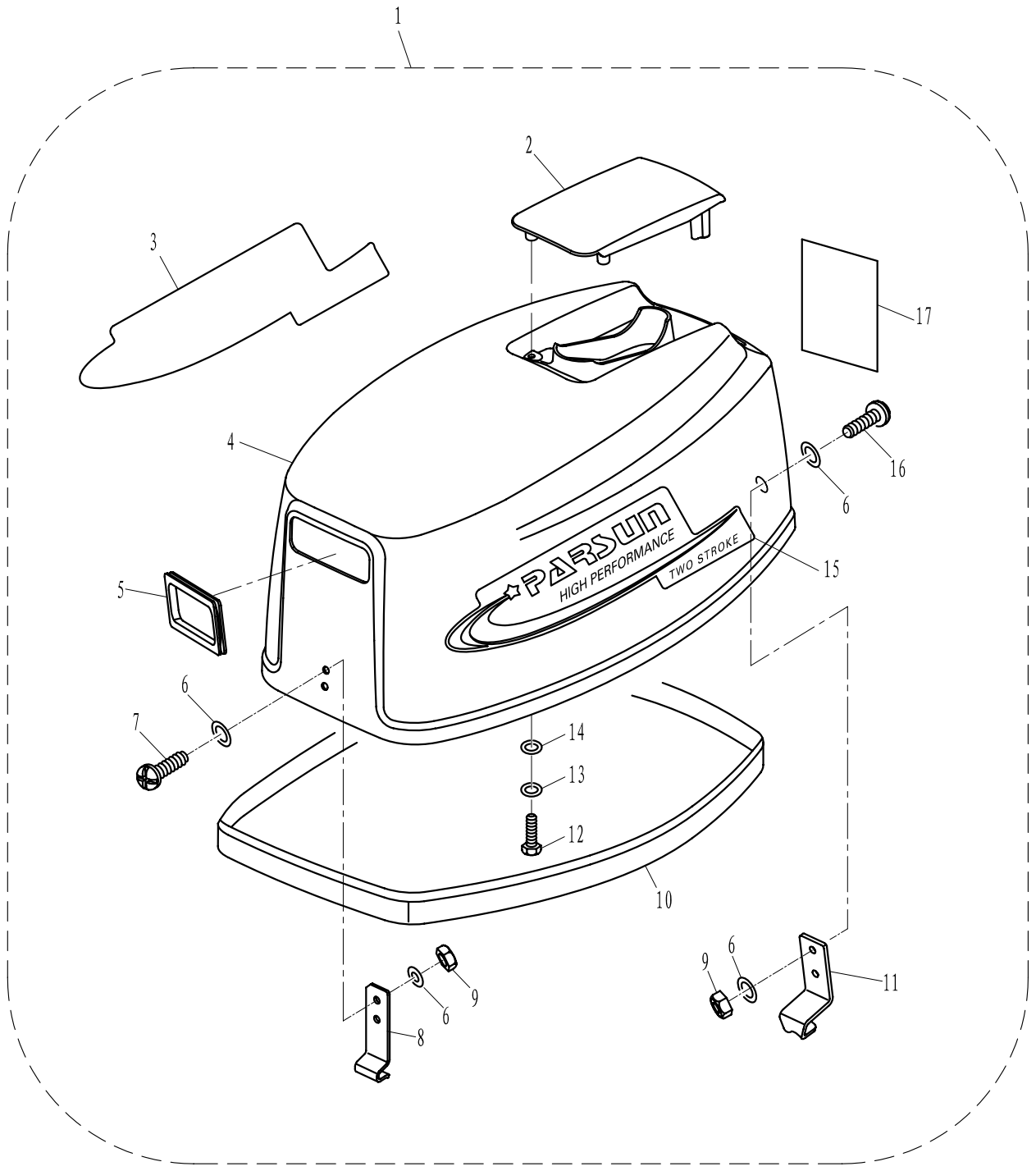
PARTS NAME:

CARBURETOR ASSY

SN. 参照号码	PART NO. 零件编号	DESCRIPTION 零件名称(中文)	DESCRIPTION 零件名称(英文)	QTY 数量					REMARKS 备注
3	T36-04000311	主量孔密封垫	GASKET, MIAN JET	2					
4	T36-04000312	主量孔O型圈	O-RING, MIAN JET	2					
5	T36-04000313	主量孔	MIAN JET	2					
6	GB/T818-M5x16	十字槽盘头螺钉 M5x16	SCREW M5x16	4					
7	GB/T93-5	弹性垫圈 5	SPRING-WASHER 5	5					
8	T36-04000314	放油螺塞	DRAIN SCREW	1					
9	T36-04000315	放油螺塞密封垫	GASKET, DRAIN SCREW	1					
10	T36-04000308	油杯本体	OIL CUP	1					
11	T36-04000309	油杯本体密封垫	GASKET, OIL CUP	1					
12	GB/T818-M4x12	十字槽盘头螺钉 M4x12	BOLT M4x12	1					
13	T36-04000307	浮子销	PIN, FLOAT	1					
14	T36-04000304	浮子	FLOAT	1					
15	T36-04000302	主喷管	MIAN NOZZLE	1					
16	T36-04000306	针阀弹簧	SPRING, NEEDLE VALVE	1					
17	T36-04000305	针阀	NEEDLE VALVE	1					
18	T36-04000303	进油嘴	OIL NOZZLE	1					
19	GB/T818-M3x6	十字槽盘头螺钉 M3x6	BOLT M3x6	8					
20	GB/T93-3	弹性垫圈 3	SPRING-WASHER 3	8					
21	T36-04000318	阻风门挡板	APRON, AIR CHOKE	1					
22	T36-04000317	阻风门摆杆衬套	BUSH, SWING LINK	1					
23	T36-04000316	阻风门摆杆	SWING LINK, AIR CHOKE	1					
24	GB/T818-M6x10	十字槽盘头螺钉 M6x10	SCREW M6x10	1					
25	GB/T93-6	弹性垫圈 6	SPRING-WASHER 6	1					
26	T36-04000319	阻风门弹簧板	SHRAPNEL, AIR CHOKE	1					
27	T36-04000320	弹簧板垫圈	WASHER, SHRAPNEL	1					
28	GB/T896-6	开口挡圈 6	CIRCLIP 6	1					
29	T36-04000325	油门摆杆尼龙垫圈	WASHER, ACCELERATOR BAR	2					
30	T36-04000328	怠速螺钉	SCREW, AIR ADJUSTING	2					
31	T36-04000330	怠速螺钉O型圈	O-RING, AIR ADJUSTING	2					
32	T36-04000329	怠速螺钉弹簧	SPRING, AIR ADJUSTING	2					
33	T36-04000301	化油器本体	CARBURETOR BODY	1					
34	F15-07000016	油门控制器连杆接头	TIE-IN	1					
35	GB/T818-M5x8	十字槽盘头螺钉 M5x8	BOLT M5x8	1					
36	GB/T97.1-5	平垫圈 5	WASHER 5	1					
37	T36-04000321	油门摆杆组件	ACCELERATOR BAR ASSY	1					
38	T36-04000324	油门挡板	APRON, ACCELERATOR	2					
39	T36-04000327	油门止动螺钉弹簧	SPRING, THORTEL	1					
40	T36-04000326	油门止动螺钉	BOLT	1					
41	T36-04000332	面板密封垫	GASKET, PLATE	1					
42	T36-04000331	面板	PLATE	1					
43	GB/T93-4	弹性垫圈 4	SPRING-WASHER 4	1					
44	T36-04000333	阻风门限位销	LIMITED PIN, AIR CHOKE	1					
45	T36-04000334	阻风门限位弹簧	LIMITED SPRING, AIR CHOKE	1					

零部件名称: 顶罩组件

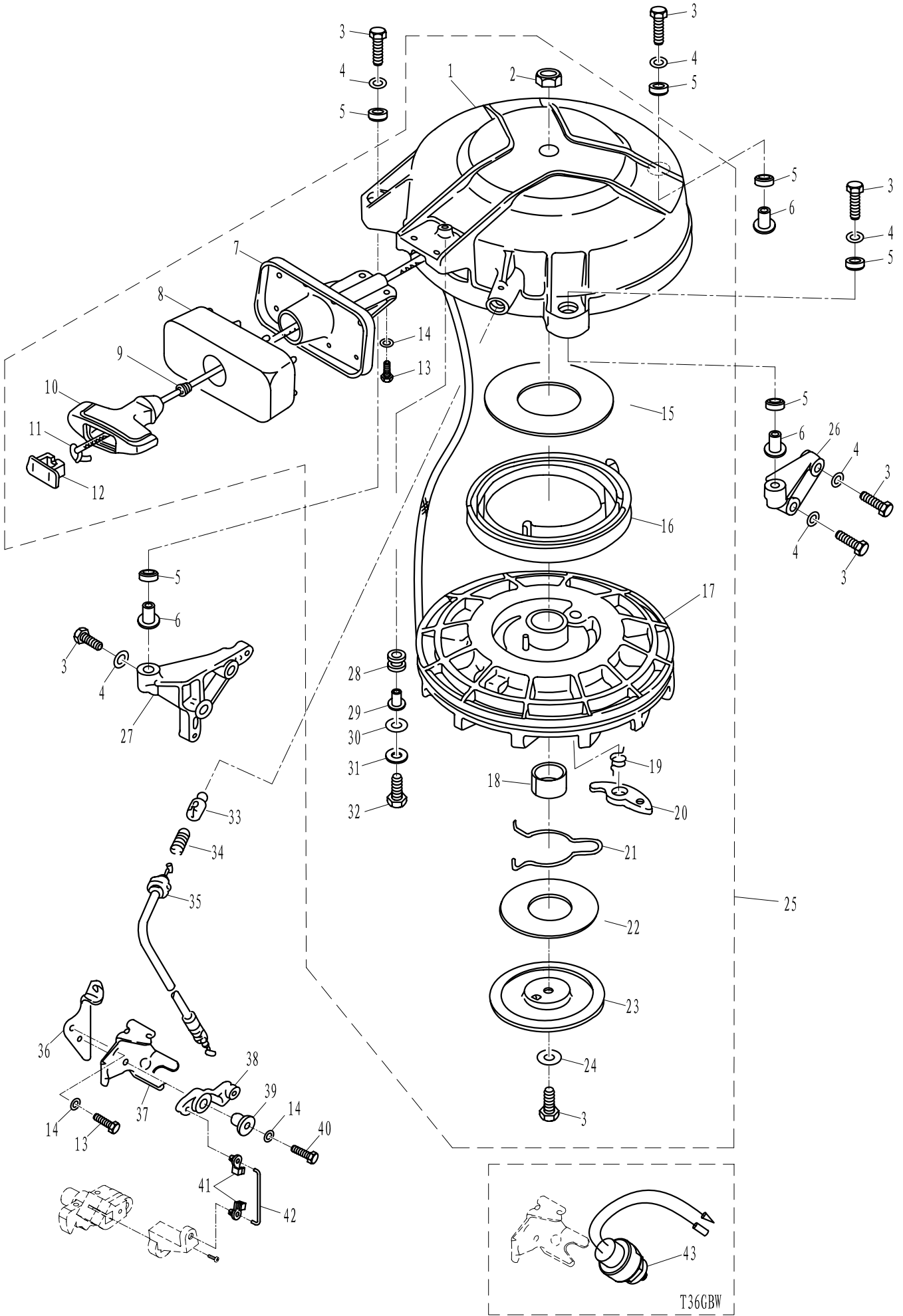
PARTS NAME: TOP COWLING ASSY





零部件名称: 起动机

PARTS NAME: STARTER





零部件名称: 起动机

PARTS NAME: STARTER

SN. 参照号码	PART NO. 零件编号	DESCRIPTION 零件名称(中文)	DESCRIPTION 零件名称(英文)	QTY 数量					REMARKS 备注
1	T36-04050001	起动机外壳	STARTER	1					
2	GB/T6170-M8	六角螺母 M8	NUT M8	1					
3	GB/T5783-M8x35	六角螺栓 M8x35	BOLT M8x35	8					
4	GB/T97.1-8	平垫圈 8	WASHER 8	7					
5	T40-05000027	起动机减震圈	DAMPER, STARTER	1					
6	T36-04050006	起动机垫管	COLLAR, LIMITED PLATE	3					
7	T36-04050002	起动机导向器	GUIDE, STARTER	1					
8	T36-04050005	发泡密封圈	SEAL, FROTHY RUBBER	1					
9	F25-05160021	手柄减震圈	DAMPER, HANDLE	1					
10	F25-05160500	起动手柄组件	HANDLE ASSY, STARTER	1					
11	F15-07130205	起动机绳(Φ5.5X1.80米)	START LINE	1					
12	F4-04130102	起动手柄盖	COVER, HANDLE	1					
13	GB/T5783-M6x16	六角螺栓 M6x16	BOLT M6x16	3					
14	GB/T97.1-6	平垫圈 6	WASHER 6	4					
15	T36-04050003	减磨片	ANTIFRICTION WASHER	1					
16	T40-05110001	涡形弹簧	VOLUTE SPRING	1					
17	T36-04050004	起动机轮	WHEEL, START-UP	1					
18	T20-06060005	起动机轮衬套	BUSH, START-UP WHEEL	1					
19	T20-06060008	卡瓣扭簧	SPRING, TENSION	1					
20	T20-06060007	起动机卡瓣	PAWL, DRIVE	1					
21	T20-06060011	压板弹簧	SPRING, PLATE	1					
22	T20-06060010	起动机轮减磨片	ANTIFRICTION WASHER, START WHEEL	1					
23	T20-06060009	起动机轮压板	PLATE, START WHEEL	1					
24	GB/T93-8	弹性垫圈 8	SPRING-WASHER 8	1					
25	T36-04050000	起动机组件	STARTER ASSY	1					
26	T36-04000020	起动机左支架	BRACKET (LEFT), STARTER	1					
27	T36-04000019	起动机右支架	BRACKET (RIGHT), STARTER	1					
28	T40-05110002	起动机滑轮	CHAIN WHEEL, STARTER	1					
29	T40-05110003	滑轮衬管	BUSHING, CHAIN WHEEL	1					
30	GB/T96-6	大垫圈 6	BIG WASHER 6	1					
31	GB/T93-6	弹性垫圈 6	SPRING-WASHER 6	1					
32	GB/T5783-M6x25	六角螺栓 M6x25	BOLT M6x25	1					
33	T20-06000502	制动器接头	TIE-IN, ARRESTER	1					
34	T20-06000501	制动器弹簧	SPRING, ARRESTER	1					
35	T36-04050100	制动器钢索组件	TIGHTWIRE ASSY, ARRESTER	1					
36	T36-04000101	制动器钢索固定架A	PLATE, ARRESTER A	1					
37	T36-04000102	制动器钢索固定架B	PLATE, ARRESTER B	1					
38	T36-04000103	制动器摆杆	SWING STEM, ARRESTER	1					
39	T36-04000104	摆杆垫管	BUSHING, SWING STEM	1					
40	GB/T5783-M6x30	六角螺栓 M6x30	BOLT M6x30	1					
41	T6-05000022	油门控制器连杆接头	TIE-IN, CONNECTING ROD	2					
42	T36-04000106	制动器连杆	CONNECTING ROD, ARRESTER	1					
43	T20-06000037W	微动开关	SWITCH	1					

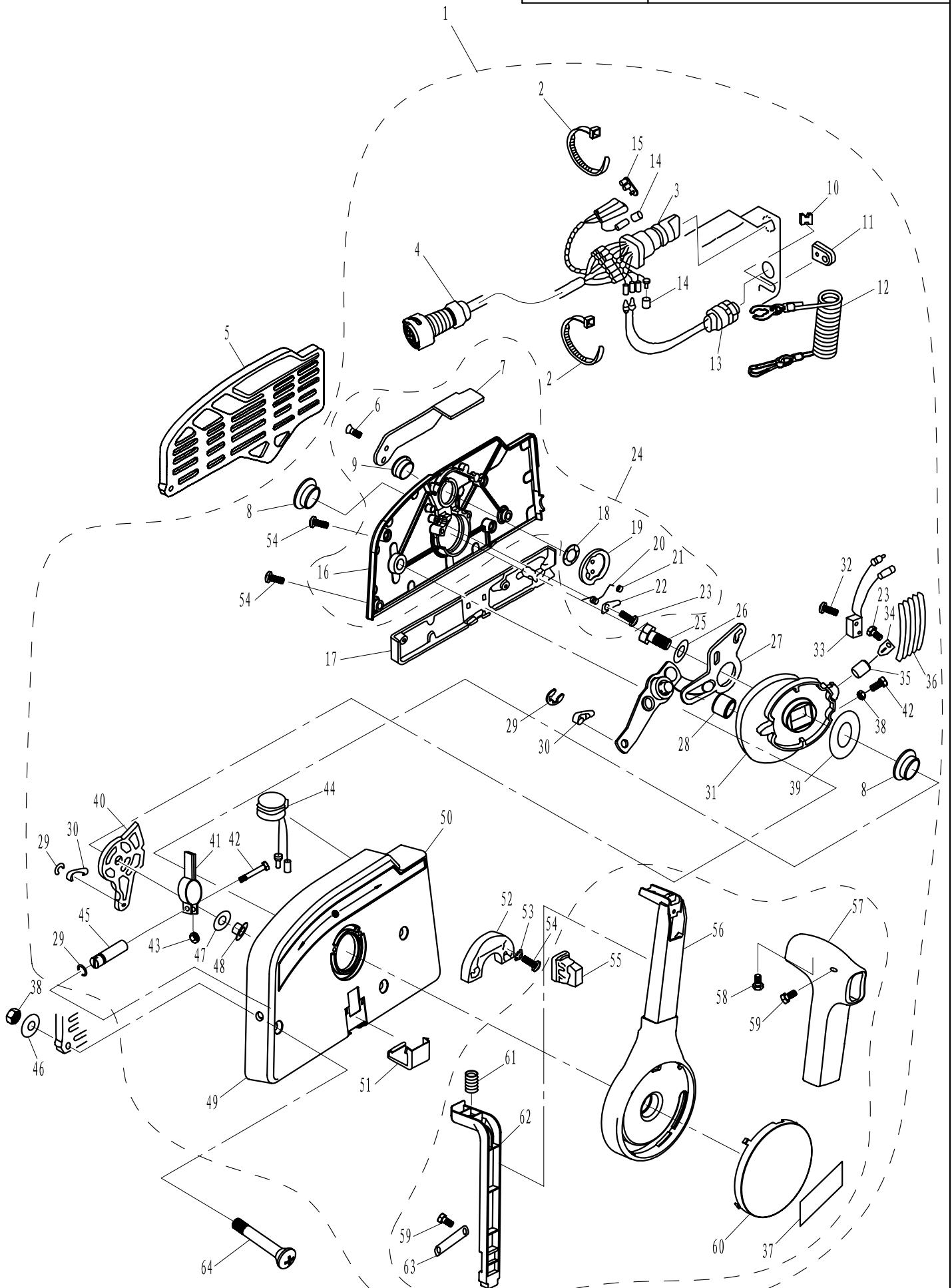


零部件名称:

操纵盒组件

PARTS NAME:

CONTROL BOX ASSY



零部件名称:

操纵盒组件

PARTS NAME:

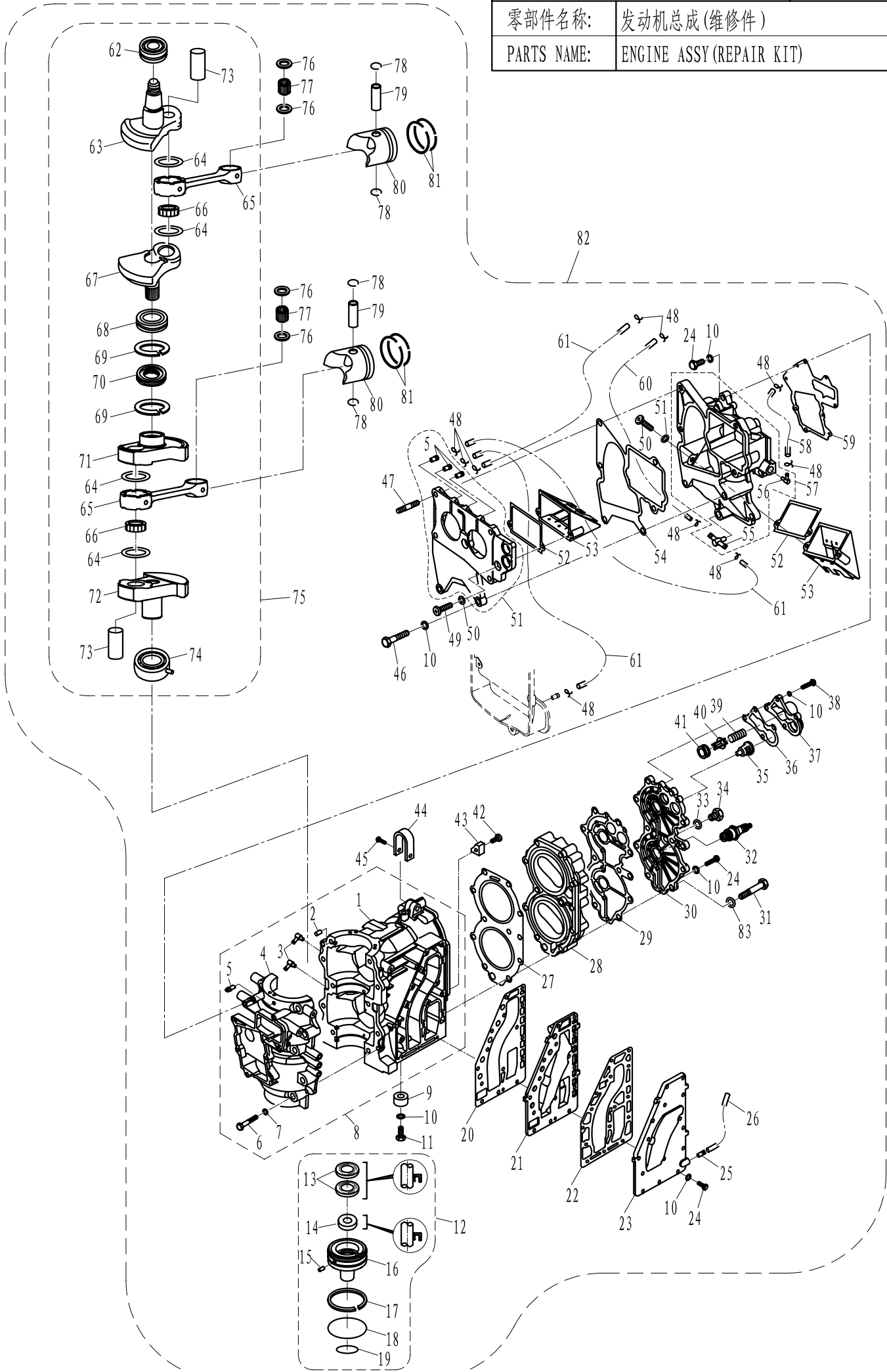
CONTROL BOX ASSY

SN. 参照号码	PART NO. 零件编号	DESCRIPTION 零件名称(中文)	DESCRIPTION 零件名称(英文)	QTY 数量					REMARKS 备注
1	T20-1300000W	操纵盒组件	CONTROL BOX ASSY	1					
2	HT2.5*60	尼龙扎带	CLAMP	2					
3	F15-13000200W	起动开关组件	STARTING SWICH ASSY	1					
4	F15-13000100W	操纵线束组件	CONTROL CABLE ASSY	1					
5	F15-11000002W	操纵盒安装板	PLATE ,CONTROL BOX	1					
6	GB/T819.2-M5X12	十字槽沉头螺钉M5×12	SCREW PAN HEAD M5x12	2					
7	F15-13020007W	油门微调手柄	THROTTLE HANDLE ,INCHING	1					
8	F15-13000005W	凸轮机构衬套	BUSH ,CAM	2					
9	F15-13020006W	微调手柄衬套	BUSH ,HANDLE	1					
10	F15-11000001W	钢索橡胶垫块	BLOCK ,RUBBER	1					
11	F15-13000014W	线索护套	JACKET ,CABLE	1					
12	F4-01090401	引擎停止安全索	STOPER ,HANG ROPE ASS'Y	1					
13	F15-13020400W	急停开关组件	ENGINE STOP SWICH ASS'Y	1					
14	F15-13000203W	绝缘堵头B	INSULATED PLUG "B"	2					
15	F15-13000202W	绝缘堵头A	INSULATED PLUG "A"	1					
16	F15-13020001W	操纵盒盖	COVER ,CONTROL BOX	1					
17	F15-13000013W	操纵盒小盖板	SMALL COVER ,CONTROL BOX	1					
18	F15-13020005W	波形垫圈B	WASHER "B" ,WAVE	1					
19	F15-13020100W	锁紧圆盘组件	LOCKED DISK ASS'Y	1					
20	F15-13020002W	扭簧	TORSION SPRING	1					
21	F15-13020003W	互锁滑轮	EACH LOCKED PULLEY	1					
22	F15-13020004W	滑轮弹簧压板	PLATE ,PULLEY SPRING	1					
23	GB/T818-M4X6	十字槽盘头螺钉M4×6	PAN HEAD SCREW M4×6	2					
24	F15-13020000W	操纵盒盖组件	COVER ASS'Y,CONTROL BOX	1					
25	GB/T5783-M8X30	六角螺栓M8×30	BOLT M8×30	1					
26	GB/T97.1-8	平垫圈8	WASHER 8	1					
27	T20-13000500W	油门控制机构	MACHINE ,CONTROL ACCELEROGRAPH	1					
28	F15-13000007W	销轴垫圈	WASHER	1					
29	GB/T896-6	开口挡圈6	PIN ,COTTER 8	3					
30	F25-07000007W	操控钢索接头B	CONTROL CABLE TIE-IN "B"	2					
31	F15-13000002W	凸轮机构	CAM MECHANISM	1					
32	GB/T818-M3X14	十字槽盘头螺钉M3×14	PAN HEAD SCREW M3×14	2					
33	F15-13000800W	微动开关	INCHING SWITCH	1					
34	F15-13000003W	档位弹簧片压板	PLATE	1					
35	F15-13000004W	档位滑轮	PULLEY	1					
36	F15-13000001W	档位弹簧片B	SHIFT SPRING PLATE "B"	5					
37	F15-12000016W	标贴16	MARK 16	1					
38	GB/T6170-M6	六角螺母M6	NUT M6	4					
39	F15-13000008W	凸轮机构减磨片	WEARABLE PLATE ,CAM MACHANISM	1					
40	F15-13000700W	变档摆杆	SHIFT SWING LINK	1					
41	F15-13000601W	调节器固定板组件	ADJUSTER FASTNESS ASS'Y	1					
42	GB/T5783-M5X25	六角螺栓M5×25	BOLT M5×25	2					
43	GB/T6170-M5	六角螺母M5	NUT M5	2					



零部件名称: 发动机总成(维修件)

PARTS NAME: ENGINE ASSY(REPAIR KIT)



零部件名称:

发动机总成(维修件)

PARTS NAME:

ENGINE ASSY(REPAIR KIT)

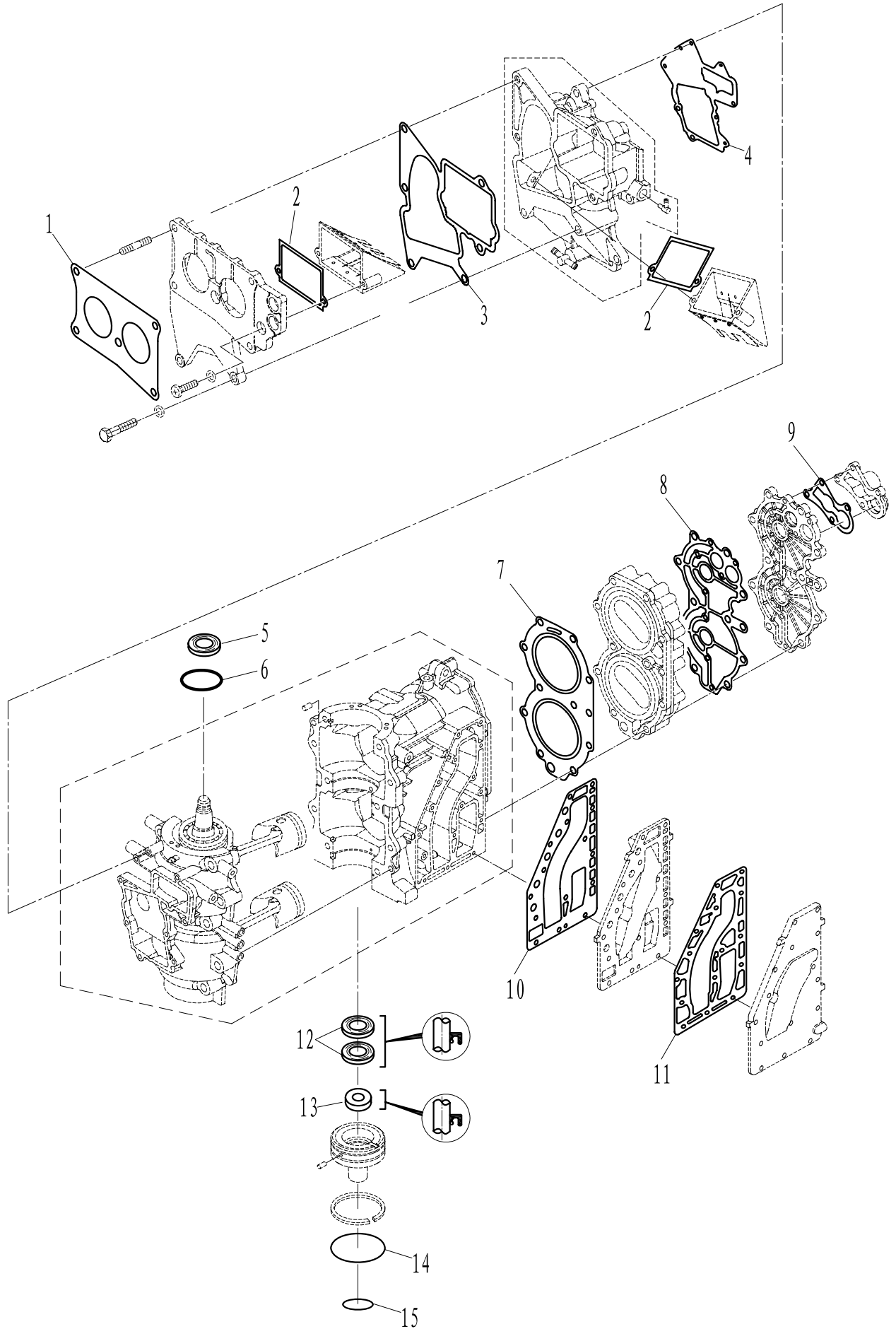
SN. 参照号码	PART NO. 零件编号	DESCRIPTION 零件名称(中文)	DESCRIPTION 零件名称(英文)	QTY 数量					REMARKS 备注
1	T36-04010100	机体	CYLINDER CASE	1					
2	F25-00000014	定位销Φ8x12	DOWEL PIN Φ8x12	2					
3	T85-05010400	气嘴组件B	GAS NIPPLE ASSY B	2					
4	T36-04010201	机座	CRANKCASE	1					
5	T15-04010202	出水嘴	WATER NIPPLE	1					
6	T40-05000030	六角螺栓M10x1.25x55	BOLT M10x1.25x55	10					
7	GB/T97.1-10	平垫圈 10	WASHER 10	10					
8	T36-04010000	机体机座组件	CRANKCASE ASSY	1					
9	T40-05000001	机体阳极A	ANODE A, CYLINDER CASE	1					
10	GB/T97.1-6	平垫圈 6	WASHER 6	34					
11	GB/T5783-M6x16	六角螺栓 M6x16	BOLT M6x16	1					
12	T36-04020300	油封壳体组件	CASING ASSY, OIL SEAL	1					
13	T40-05010302	油封A 30x40x6	OIL SEAL A 30x40x6	2					
14	F25-02010002	排气歧管座油封 16x30x6	OIL SEAL 16x30x6	1					
15	GB/T879.4-3x5	重型直槽弹性圆柱销3x5	PIN 3x5	1					
16	T36-04020306	油封壳体	CASING, OIL SEAL	1					
17	T40-05020107	油封壳体挡圈	CIRCLIP, OIL SEAL CASING	1					
18	T40-04000205	水泵壳体O型圈	O-RING	1					
19	T36-04020303	油封壳体O型圈A	O-RING A, OIL SEAL CASING	1					
20	T36-04000013	排气内盖密封垫	GASKET, INNER COVER	1					
21	T36-04000014	排气内盖	INNER COVER, EXHAUST	1					
22	T36-04000015	排气外盖密封垫	GASKET, OUTER COVER	1					
23	T36-04000016	排气外盖	OUTER COVER, EXHAUST	1					
24	GB/T5783-M6x25	六角螺栓 M6x25	BOLT M6x25	27					
25	F4-04010102	气嘴	NIPPLE	1					
26	T36-04000017	水管Φ5xΦ9x245	WATER PIPE	1					
27	T36-04000001	缸头复合垫	GASKET, CYLINDER HEAD	1					
28	T36-04000002	气缸盖	CYLINDER COVER	1					
29	T36-04000003	气缸盖垫	GASKET, CYLINDER COVER	1					
30	T36-04000004	气缸外盖	OUTER COVER, CYLINDER	1					
31	T40-05000031	六角螺栓M8x70	BOLT M8x70	11					
32	BPR7HS	火花塞	SPARK PLUG	2					
33	T85-05000003	堵塞密封垫	GASKET	1					
34	T36-04000011	外盖堵塞M14x14	JAM M14x14	1					
35	F15-07000031	节温器S60	THERMOSTAT	1					
36	T36-04000010	节温器密封垫	GASKET, THERMOSTAT	1					
37	T36-04000009	节温器盖	COVER, THERMOSTAT	1					
38	GB/T5783-M6x30	六角螺栓 M6x30	BOLT M6x30	4					
39	T36-04000008	压力阀弹簧	SPRING, PRESSURE VALVE	1					
40	T36-04000007	压力阀芯	CORE, PRESSURE VALVE	1					
41	T36-04000006	压力阀密封圈	SEAL, PRESSURE VALVE	1					
42	GB/T5297-M6x25	沉头螺钉 M6x25	BOLT M6x25	1					
43	T40-05000012	机体阳极B	ANODE B, CYLINDER CASE	1					





零部件名称: 附件I(维修件)

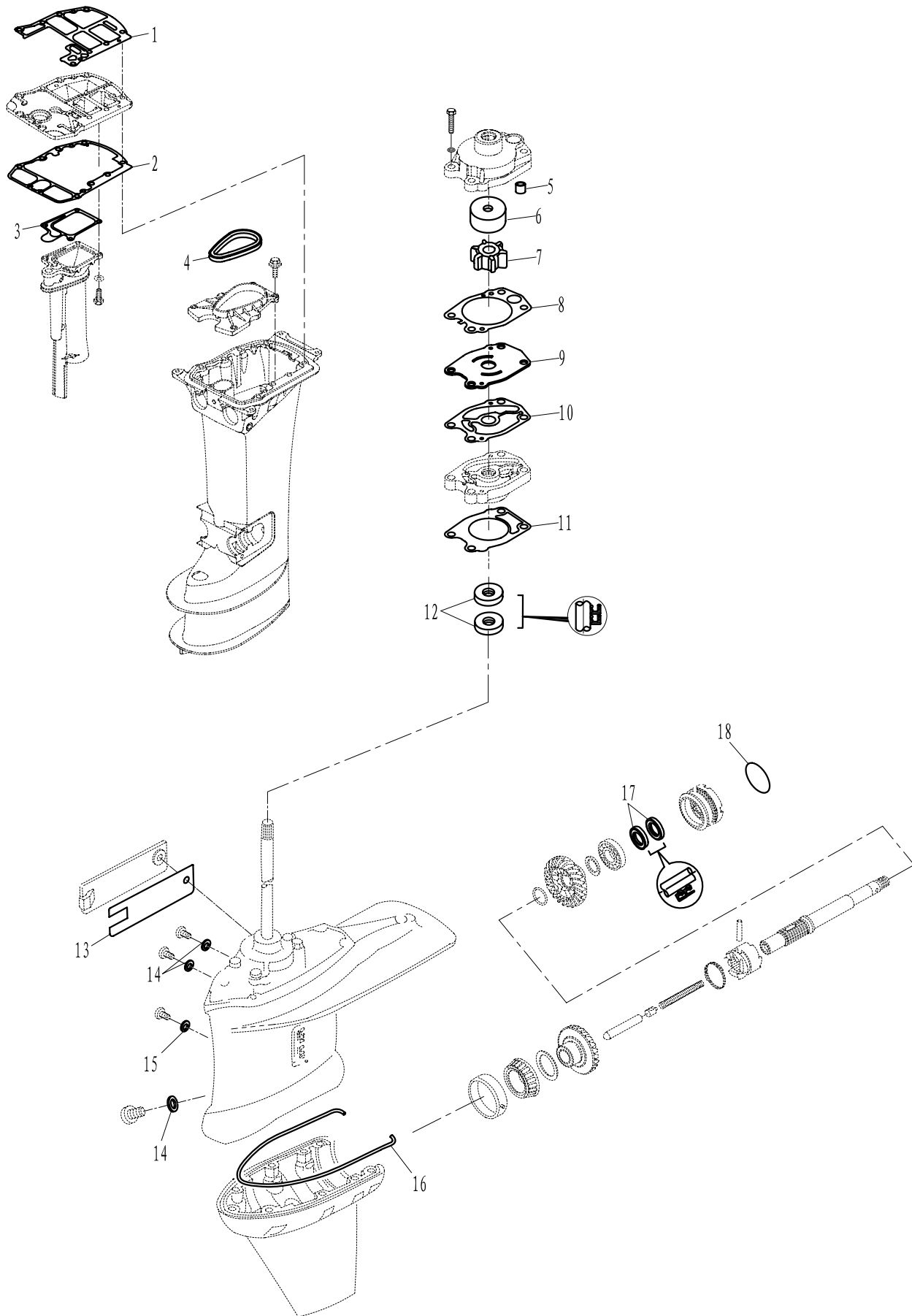
PARTS NAME: APPENDIX I (REPAIR KIT)





零部件名称: 附件 II (修理件)

PARTS NAME: APPENDIX II (REPAIR KIT)





名称:

零件目录检索表

NAME:

PARTS CATALOGUE INDEX

零件代号 PART NO.	页码/序号 PAGE/NO.	零件代号 PART NO.	页码/序号 PAGE/NO.	零件代号 PART NO.	页码/序号 PAGE/NO.
BPR7HS	26-32	F15-11030003W	32-44	F25-00000014	26-2
F4-01010003	2-33	F15-11030100W	31-43	F25-01000001	2-23
F4-01090006	7-2	F15-11030200W	32-45	F25-01000002	2-24
F4-01090007	7-3	F15-11030301W	31-39	F25-01000003	2-22
F4-01090401	41-12	F15-12000013W	42-50	F25-01000004L	3-45
F4-01090401	11-24	F15-12000016W	41-37	F25-01010002	2-38
F4-03000023	15-29	F15-13000001W	41-36	F25-01010003	2-37
F4-03000024	15-28	F15-13000002W	41-31	F25-01010004	2-30
F4-04000030	29-5	F15-13000003W	41-34	F25-01010010	2-12
F4-04000039	22-8	F15-13000004W	41-35	F25-01010011	2-28
F4-04010102	26-25	F15-13000005W	41-8	F25-01010102	2-35
F4-04090005	29-19	F15-13000006W	42-47	F25-01010103	2-34
F4-04090011	29-20	F15-13000007W	41-28	F25-01010402	5-29
F4-04120002	32-49	F15-13000008W	41-39	F25-01010403	5-27
F4-04120003	32-48	F15-13000011W	42-48	F25-02010002	26-14
F4-04130102	38-12	F15-13000012W	42-49	F25-03000003	11-22
F4-05000200	29-1	F15-13000013W	41-17	F25-04000007	15-13
		F15-13000014W	41-11	F25-04000031	16-39
		F15-13000015W	42-51	F25-04010003	15-16
F8-00000003	22-25	F15-13000100W	41-4	F25-05000025	20-2
F15-00000006	17-8	F15-13000200W	41-3	F25-05000026	20-1
F15-01010001	2-39	F15-13000202W	41-15	F25-05090100W	22-1
F15-01010007	2-29	F15-13000203W	41-14	F25-05160021	38-9
F15-01030200	7-32	F15-13000300W	42-44	F25-05160500	38-10
F15-05000009	11-15	F15-13000601W	41-41	F25-05170201W	22-21
F15-05000022	11-10	F15-13000602W	42-45	F25-05170202W	22-17
F15-05000023	11-11	F15-13000700W	41-40	F25-07000006W	13-41
F15-05000100BW	13-42	F15-13000800W	41-33	F25-07000007W	41-30
F15-0602003	16-61	F15-13010001W	42-56	F25-07000303W	13-38
F15-07000016	34-34	F15-13010002W	42-57	F25-07000304W	13-37
F15-07000031	26-35	F15-13010003W	42-55		
F15-07060001	22-3	F15-13010004W	42-62		
F15-07080000	29-6	F15-13010005W	42-61	T15-01020003	11-23
F15-07080001	29-7	F15-13010008W	42-63	T15-03010002	31-2
F15-07080002	29-8	F15-13010009W	42-60	T15-03010002	31-34
F15-07130205	38-11	F15-13010010W	42-52	T15-04000013	31-11
F15-07150300W	22-12	F15-13020000W	41-24	T15-04000024	11-26
F15-07150301W	22-11	F15-13020001W	41-16	T15-04010202	26-5
F15-07150501W	22-13	F15-13020002W	41-20	T15-04010202	31-10
F15-09000000	39-1	F15-13020003W	41-21	T20-03000006	13-11
F15-10000000	39-2	F15-13020004W	41-22	T20-04000007	31-1
F15-10000001	39-9	F15-13020005W	41-18	T20-04000900W	13-36
F15-10000002	39-8	F15-13020006W	41-9	T20-04000901W	13-40
F15-10000003	39-7	F15-13020007W	41-7	T20-04000902W	13-34
F15-10010000	39-3	F15-13020100W	41-19	T20-06000017	29-10
F15-10020000	39-6	F15-13020400W	41-13	T20-06000031	20-5
F15-11000001W	41-10			T20-06000037W	38-43
F15-11000002W	41-5			T20-06000501	38-34
F15-11020002W	13-39	F25-00000004	11-7	T20-06000502	38-33
F15-11030002W	31-42	F25-00000014	2-20	T20-06060005	38-18

名称:

零件目录检索表

NAME:

PARTS CATALOGUE INDEX

零件代号 PART NO.	页码/序号 PAGE/NO.	零件代号 PART NO.	页码/序号 PAGE/NO.	零件代号 PART NO.	页码/序号 PAGE/NO.
T20-06060007	38-20	T36-01010311	5-11	T36-03000008	15-33
T20-06060008	38-19	T36-01010313	5-7	T36-03000012	15-15
T20-06060009	38-23	T36-01010314	5-20	T36-03000017	15-36
T20-06060010	38-22	T36-01010315	5-23	T36-03000024	15-37
T20-06060011	38-21	T36-01010316	5-21	T36-03000104	15-10
T20-13000000W	41-1	T36-01010317	5-25	T36-03000105	15-9
T20-13000500W	41-27	T36-01010318	5-19	T36-03000106	15-8
		T36-01010319	5-22	T36-03000200	15-7
		T36-01010320	5-26	T36-03000301	15-4
T36-00000001	9-18	T36-01010321	5-18	T36-03000302	15-6
T36-00000002	2-1	T36-01010322	5-10	T36-03000303	15-5
T36-00000003	2-15	T36-01010323	5-9	T36-03000402	16-50
T36-00000004	2-19	T36-01010324	5-12	T36-03000403	16-49
T36-00000005	2-17	T36-01010325	2-25	T36-03000404	16-48
T36-00000006	9-13	T36-01010326	2-26	T36-03000405	16-52
T36-00000007	9-1	T36-01010327	5-13	T36-04000001	26-27
T36-00000008	11-2	T36-01010400	5-28	T36-04000002	26-28
T36-00000009	9-3	T36-01010401	5-31	T36-04000003	26-29
T36-00000010	11-1	T36-01020001	2-2	T36-04000004	26-30
T36-00000011	3-50	T36-01020002	2-21	T36-04000006	26-41
T36-00000012	2-5	T36-01030001	7-1	T36-04000007	26-40
T36-00000013	17-21	T36-01030002	7-14	T36-04000008	26-39
T36-00000014	9-16	T36-01030003	7-15	T36-04000009	26-37
T36-00010001	9-2	T36-01030004	7-18	T36-04000010	26-36
T36-00010002	9-7	T36-01030005	7-19	T36-04000011	26-34
T36-00010003	9-6	T36-01030006	7-12	T36-04000013	26-20
T36-00010004	9-8	T36-01030100	7-7	T36-04000014	26-21
T36-00010005	9-11	T36-01030200	7-24	T36-04000015	26-22
T36-00010006L	17-2	T36-01030201	7-21	T36-04000016	26-23
T36-00010006S		T36-01030202	7-22	T36-04000017	26-26
T36-01000001	3-46	T36-01030203	7-10	T36-04000018	31-31
T36-01000002	3-47	T36-01030300	7-5	T36-04000019	38-27
T36-01000003	3-52	T36-02000001	9-17	T36-04000020	38-26
T36-01000004	3-53	T36-02000001S		T36-04000021	29-13
T36-01000005	3-49	T36-02000002	17-4	T36-04000022	29-15
T36-01010001	2-43	T36-02000003	9-12	T36-04000023	18-4
T36-01010002	3-44	T36-02000004	2-10	T36-04000024	31-19
T36-01010100	2-41	T36-02000005	9-20	T36-04000025	27-44
T36-01010103	2-36	T36-02000006	9-19	T36-04000026	31-13
T36-01010200	2-32	T36-02000007	3-57	T36-04000027	18-15
T36-01010301	2-40	T36-02000200	3-60	T36-04000028W	13-27
T36-01010302	5-14	T36-02010000	3-59	T36-04000029W	22-6
T36-01010304	5-2	T36-02010001	2-7	T36-04000030W	22-7
T36-01010304-2	5-1	T36-02010002	2-9	T36-04000032W	22-10
T36-01010305	5-3	T36-02010100	2-11	T36-04000033W	22-24
T36-01010306	5-8	T36-02010103	2-8	T36-04000035W	22-19
T36-01010307	5-6	T36-02020001	3-58	T36-04000036W	22-16
T36-01010308	5-5	T36-02020002	3-56	T36-04000101	38-36
T36-01010309	5-16	T36-02020003	3-55	T36-04000102	38-37
T36-01010310	5-17	T36-02020100	3-54	T36-04000103	38-38

名称:

零件目录检索表

NAME:

PARTS CATALOGUE INDEX

零件代号 PART NO.	页码/序号 PAGE/NO.	零件代号 PART NO.	页码/序号 PAGE/NO.	零件代号 PART NO.	页码/序号 PAGE/NO.
T36-04000104	38-39	T36-04000701	18-10	T36-05000006	11-20
T36-04000106	38-42	T36-04000702	18-7	T36-05000007	11-9
T36-04000201	13-16	T36-04000800	18-13	T36-05000010	13-12
T36-04000202	13-18	T36-04000801	18-18	T36-05000011	13-14
T36-04000203	13-19	T36-04000803W	13-31	T36-05000012	13-13
T36-04000204	13-20	T36-04000900W	22-20	T36-05000013	13-24
T36-04000205	13-22	T36-04010000	26-8	T36-05000014	13-8
T36-04000206	13-23	T36-04010100	26-1	T36-05000015	11-25
T36-04000300	33-1	T36-04010201	26-4	T36-05000035	13-25
T36-04000300W	31-35	T36-04020100	24-14	T36-05000040W	13-28
T36-04000301	34-33	T36-04020102	24-2	T36-05000100	11-12
T36-04000302	34-15	T36-04020106	24-6	T36-05010001	13-15
T36-04000303	34-18	T36-04020107	24-12	T36-05010002	13-3
T36-04000304	34-14	T36-04020110	24-10	T36-05010100	13-1
T36-04000305	34-17	T36-04020111	24-11	T36-05010100W	13-30
T36-04000306	34-16	T36-04020200	24-19	T36-05010200	13-10
T36-04000307	34-13	T36-04020201	24-20	T36-06000000	36-1
T36-04000308	34-10	T36-04020300	26-12	T36-06000001	36-4
T36-04000309	34-11	T36-04020303	26-19	T36-06000002	36-2
T36-04000310	33-2	T36-04020306	26-16	T36-06000003	36-8
T36-04000311	34-3	T36-04030000	31-29	T36-06000004	36-11
T36-04000312	34-4	T36-04030100	31-25	T36-06000005	36-5
T36-04000313	34-5	T36-04030101	31-24	T36-06000006	36-10
T36-04000314	34-8	T36-04030102	31-30	T36-08000001	36-3
T36-04000315	34-9	T36-04030103	31-33	T36-08000002	36-15
T36-04000316	34-23	T36-04030104	31-27	T36-08000003	36-17
T36-04000317	34-22	T36-04030105	31-12		
T36-04000318	34-21	T36-04030200	31-23	T36G-03000000L	16-65
T36-04000319	34-26	T36-04030201	31-26	T36G-03000000S	
T36-04000320	34-27	T36-04040000	20-7	T36G-030000001	15-35
T36-04000321	34-37	T36-04040001	20-16	T36G-030000002	15-18
T36-04000324	34-38	T36-04040100	20-8	T36G-030000003	15-19
T36-04000325	34-29	T36-04040200	20-11	T36G-030000004	15-20
T36-04000326	34-40	T36-04040300	20-12	T36G-030000005	15-17
T36-04000327	34-39	T36-04050000	38-25	T36G-030000006	15-21
T36-04000328	34-30	T36-04050001	38-1	T36G-030000007	15-22
T36-04000329	34-32	T36-04050002	38-7	T36G-030000008	15-23
T36-04000330	34-31	T36-04050003	38-15	T36G-030000009	15-24
T36-04000331	34-42	T36-04050004	38-17	T36G-030000010-1	15-25
T36-04000332	34-41	T36-04050005	38-8	T36G-030000011	15-26
T36-04000333	34-44	T36-04050006	38-6	T36G-030000012	16-63
T36-04000334	34-45	T36-04050100	38-35	T36G-030000013	16-45
T36-04000401	31-9	T36-04060000	31-36	T36G-030000014-1	16-46
T36-04000402	31-7	T36-04060001W	32-50	T36G-030000015	16-47
T36-04000403	31-8	T36-05000001	11-6	T36G-030000016	16-56
T36-04000405	31-4	T36-05000002	11-5	T36G-030000017	16-57
T36-04000406	31-16	T36-05000003	11-4	T36G-030000018-1	16-58
T36-04000500	20-6	T36-05000004	11-19	T36G-030000019	15-38
T36-04000500W	22-18	T36-05000005	11-21	T36G-030000020	16-41
T36-04000600	18-1	T36-05000005W	13-29	T36G-030000021	16-40

名称:

零件目录检索表

NAME:

PARTS CATALOGUE INDEX

零件代号 PART NO.	页码/序号 PAGE/NO.	零件代号 PART NO.	页码/序号 PAGE/NO.	零件代号 PART NO.	页码/序号 PAGE/NO.
T36G-03000022	17-12	T40-05020011	24-13		
T36G-03000023	17-14	T40-05020103	24-3		
T36G-03000024	15-32	T40-05020104	24-5		
T36G-03000025	15-12	T40-05020105	24-4		
T36G-03000026	15-11	T40-05020107	26-17		
T36G-03000029	16-42	T40-05020107	24-8		
T36G-03000030	16-43	T40-05020108	24-9		
T36G-03000031	17-6	T40-05040002	20-18		
T36G-03000032	17-7	T40-05040008	20-17		
T36G-03000034	17-11	T40-05080000	29-14		
T36G-03000200	16-55	T40-05080001	29-16		
T36G-03000201	16-54	T40-05080002	29-18		
T36G-03000300	16-59	T40-05080003	29-17		
T36G-03000301	16-62	T40-05080004	29-22		
T36G-03000400L	15-34	T40-05080005	29-23		
T36G-03000400S		T40-05080006	29-24		
T36G-03000500	17-16	T40-05080007	29-25		
T36G-03000503	17-15	T40-05110001	38-16		
T36G-03000504	17-17	T40-05110002	38-28		
T36G-03000505	17-18	T40-05110003	38-29		
T36G-03010000	15-14				
T36G-03010000S					
		T6-05000022	38-41		
T40-02010003	17-1	T6-05000022	31-17		
T40-02010005	17-3				
T40-04000205	26-18				
T40-04050004	16-53	T85-00000017	13-4		
T40-04050005	16-51	T85-00000020	3-51		
T40-05000001	26-9	T85-01030013	7-28		
T40-05000012	26-43	T85-01030014	7-30		
T40-05000018	20-19	T85-01030015	7-25		
T40-05000024	29-28	T85-01030016	7-26		
T40-05000027	38-5	T85-01030017	7-27		
T40-05000028	18-8	T85-05000003	26-33		
T40-05000029	18-9	T85-05010400	26-3		
T40-05000030	26-6	T85-05010400	31-28		
T40-05000030W	22-2	T85-05160236	31-40		
T40-05000031	26-31				
T40-05000100	18-16				
T40-05000703W	32-51				
T40-05000800W	31-41				
T40-05000801W	31-38				
T40-05000802W	31-37				
T40-05010302	26-13				
T40-05020003	24-18				
T40-05020006	24-17				
T40-05020007	24-15				
T40-05020008	24-16				
T40-05020009	24-1				
T40-05020010	24-7				