

[Http://www.parsun.com.cn](http://www.parsun.com.cn)

PARSUN

百胜

零件目錄

PARTS CATALOGUE

T3.6

BM

T2.5

苏州百胜动力机器有限公司

SUZHOU PARSUN POWER MACHINE CO., LTD

# 目录

## CONTENTS

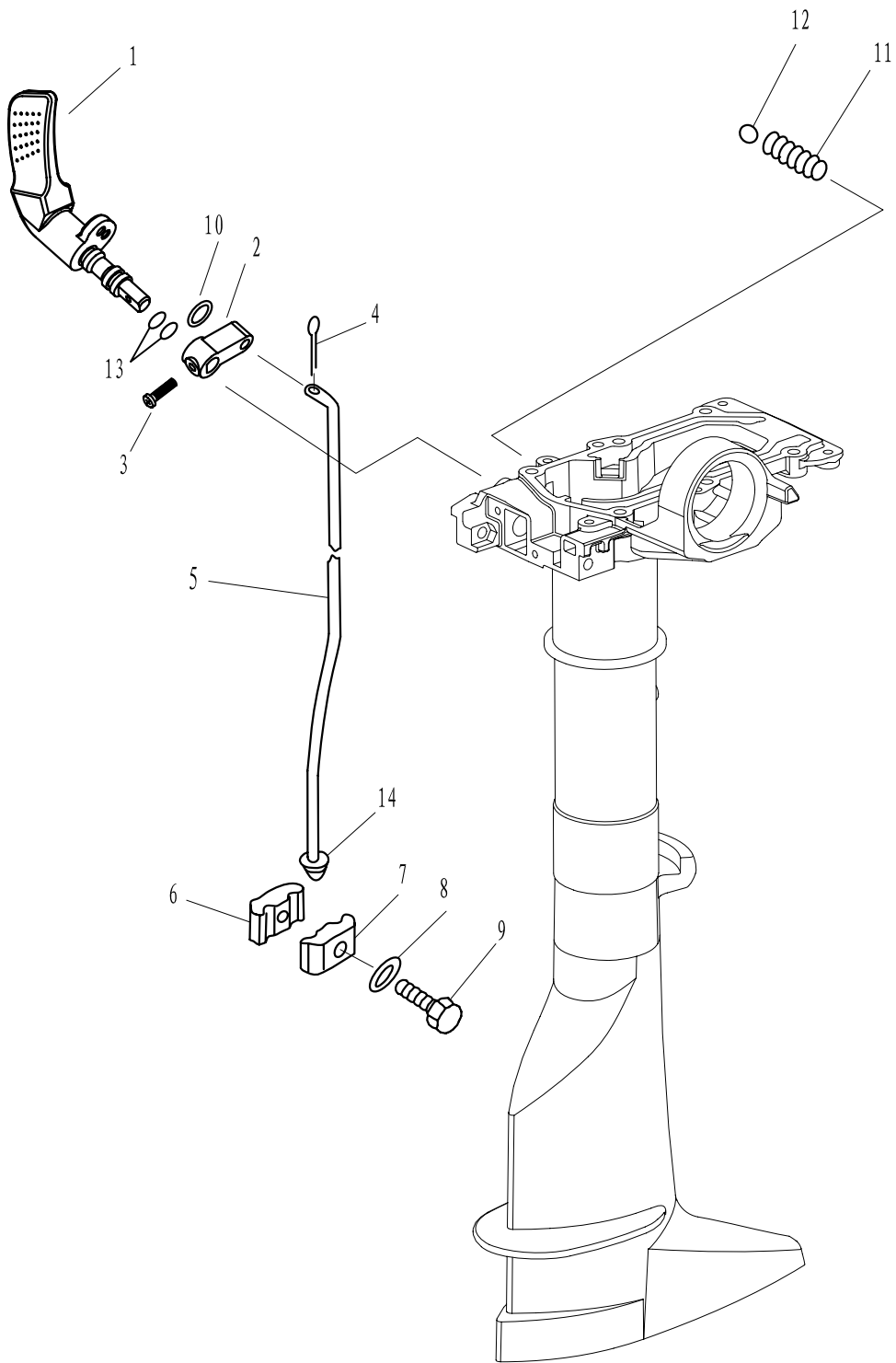
控制系统	1 ~ 2
CONTROL	1 ~ 2
托架	3 ~ 4
BRACKET	3 ~ 4
操舵系统	5 ~ 6
STEERING	5 ~ 6
水上装置壳体	7 ~ 8
UPPER CASING	7 ~ 8
水下驱动组件	9 ~ 10
LOWER DRIVE ASSY	9 ~ 10
水下装置壳体和驱动系统	11 ~ 12
LOWER CASING & DRIVE	11 ~ 12
点火系统	13 ~ 14
IGNITION ASS'Y	13 ~ 14
气缸和曲轴箱	15 ~ 16
CYLINDER & CRANKCASE	15 ~ 16
曲轴和活塞	17 ~ 18
CRANKSHAFT & PISTON	17 ~ 18
燃油系统	19 ~ 20
FUEL	19 ~ 20
进气系统	21
INTAKE	21
化油器总成	22 ~ 23
CARBURETOR ASSY	22 ~ 23
底罩	24
BOTTON COWLING	24
顶罩	25
TOP COWLING	25
修理件1	26 ~ 27
REPAIRE KIT 1	26 ~ 27
修理件2	28 ~ 29
REPAIRE KIT 2	28 ~ 29
零件目录检索表	I ~ II
PARTS CATALOGUE INDEX	I ~ II

零部件名称:

控制系统

PARTS NAME:

CONTROL



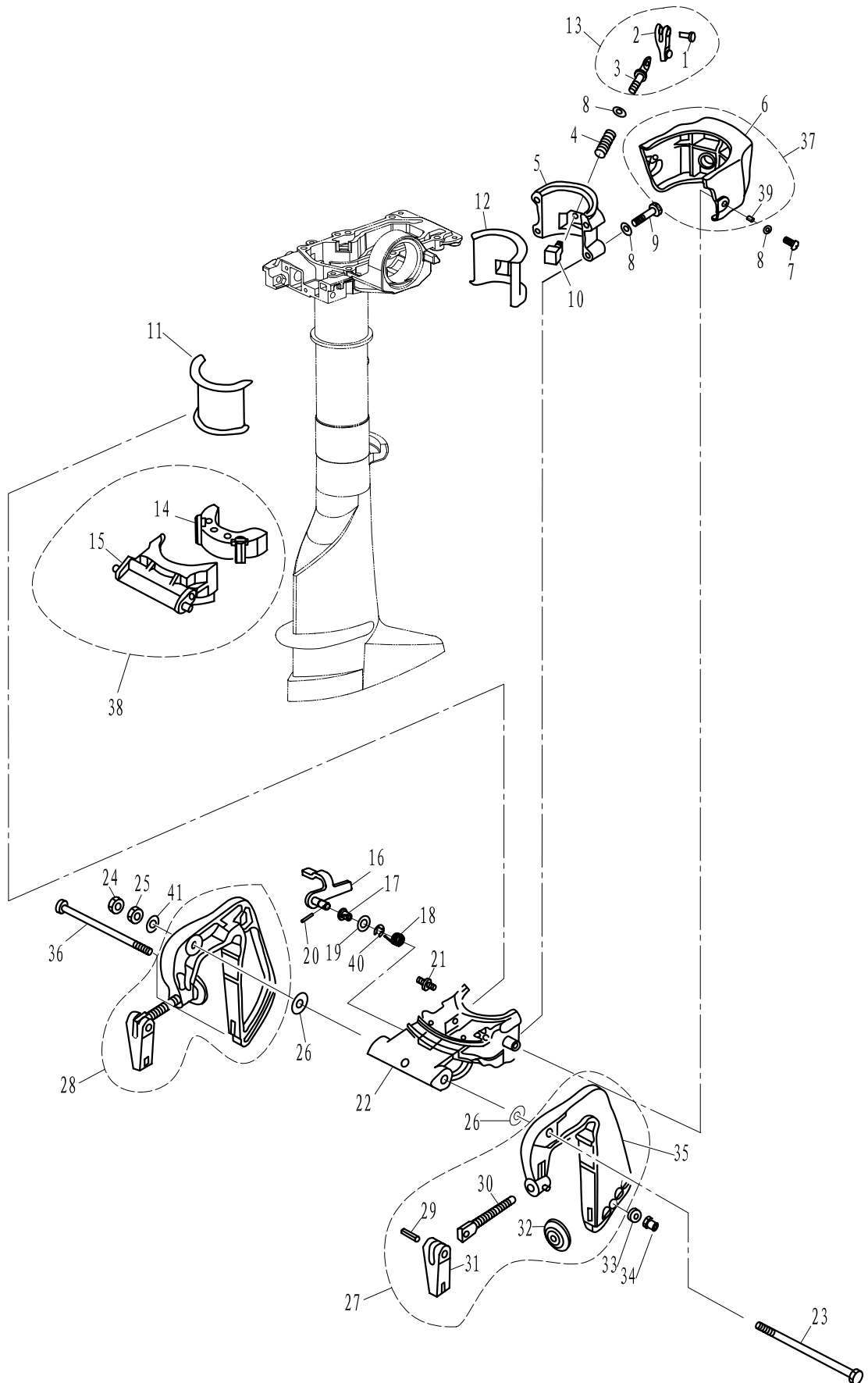


零部件名称:

托架

PARTS NAME:

BRACKET



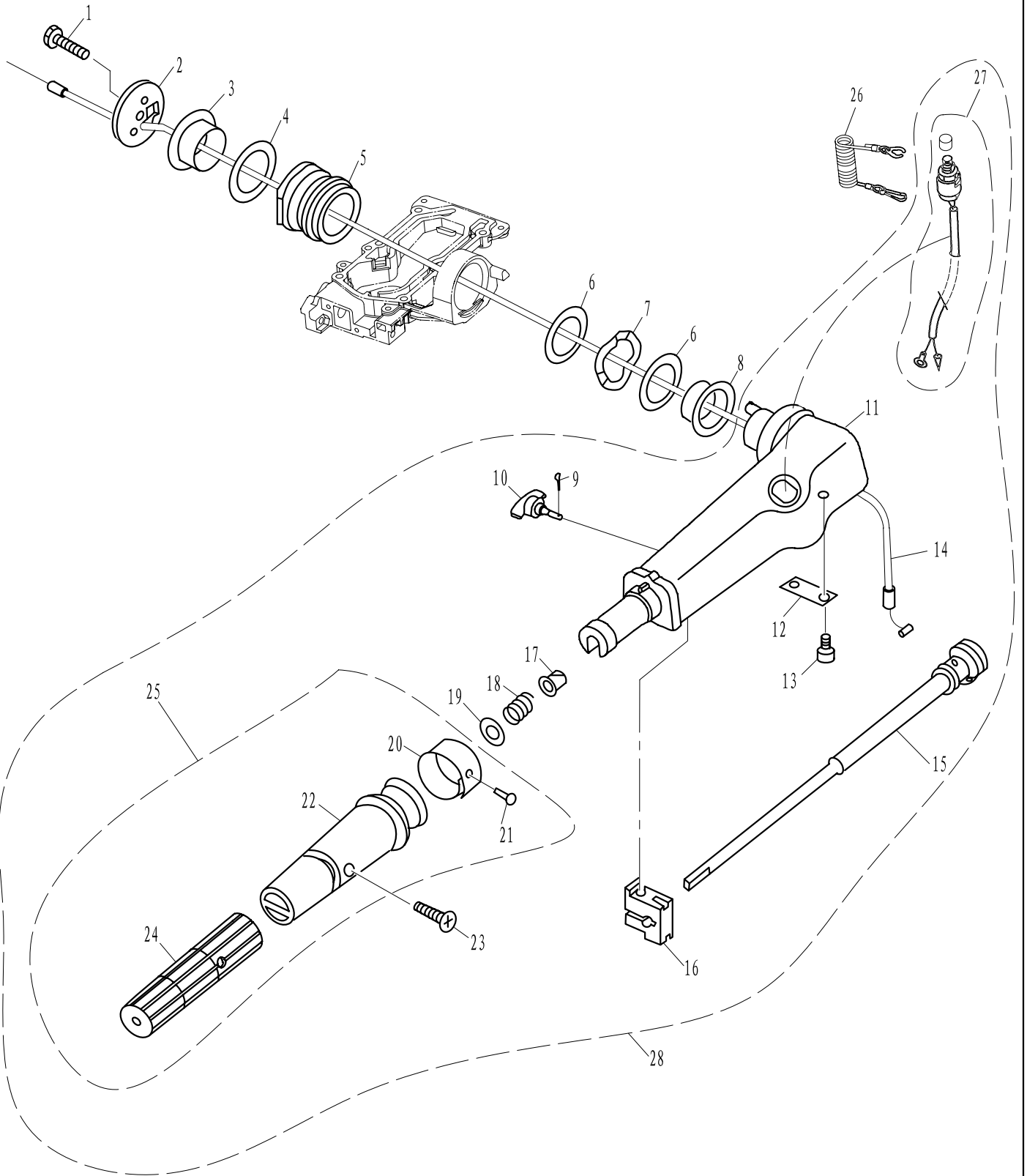


零部件名称:

操舵系统

PARTS NAME:

STEERING





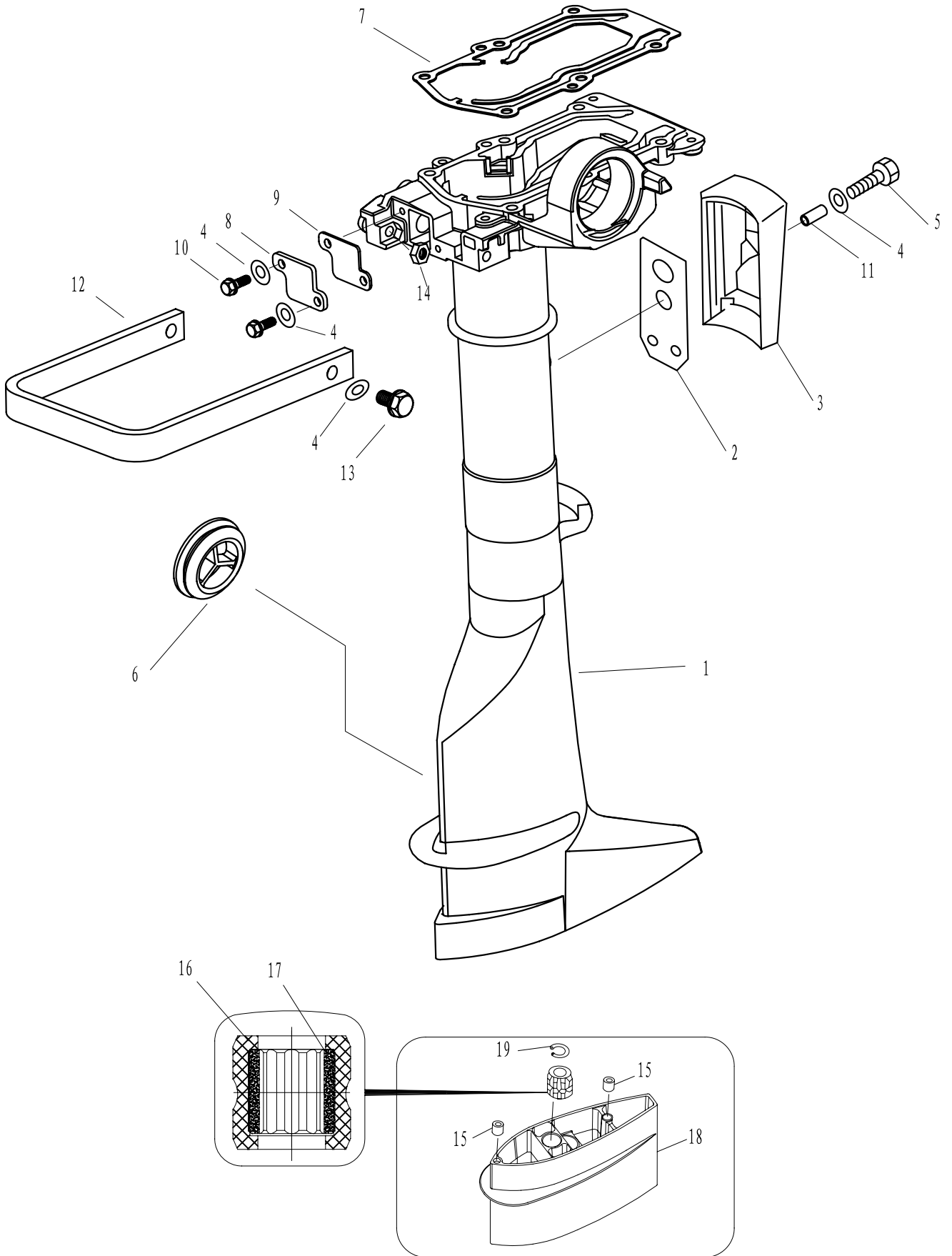


零部件名称:

水上装置壳体

PARTS NAME:

UPPER CASING



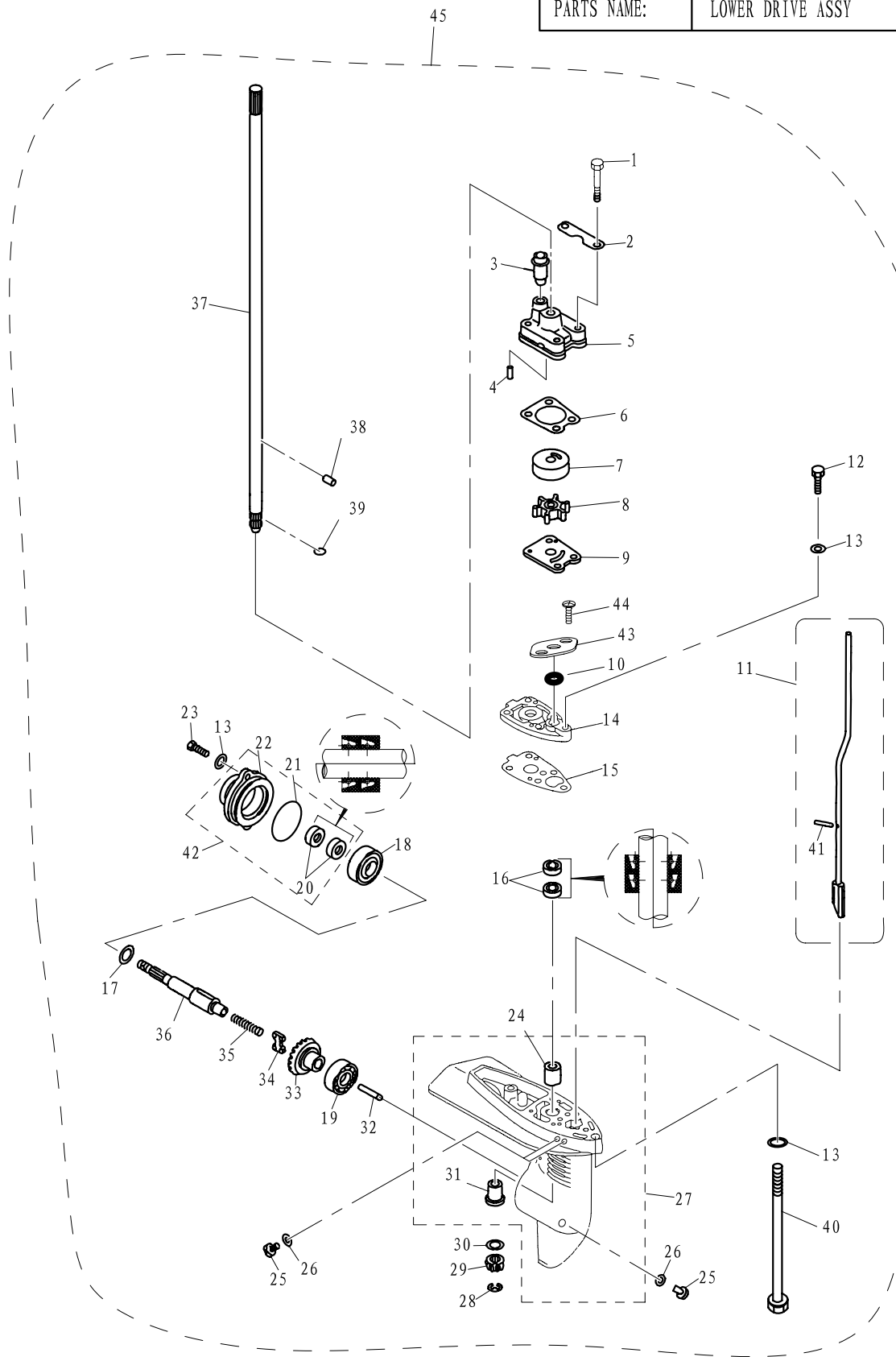


零部件名称:

水下驱动组件

PARTS NAME:

LOWER DRIVE ASSY



SN. 参照号码	PART NO. 零件编号	DESCRIPTION 零件名称 (中文)	DESCRIPTION 零件名称 (英文)	QTY 数量					REMARKS 备注
1	GB/T5782-M6x45	六角头螺栓M6x45	HEXAGON BOLT M6x45	4					
2	F4-0300020	泵壳固定板	PLATE , WATER PUMP FIXED	2					
3	F4-0300021	泵壳橡胶管	RUBBER TUBE , WATER PUMP	1					
4	F4-0300013	水泵座定位销	PIN , WATER PUMP	2					
5	F4-0300019	水泵壳	HOUSING , WATER PUMP	1					

零部件名称:

水下驱动组件

PARTS NAME:

LOWER DRIVE ASSY

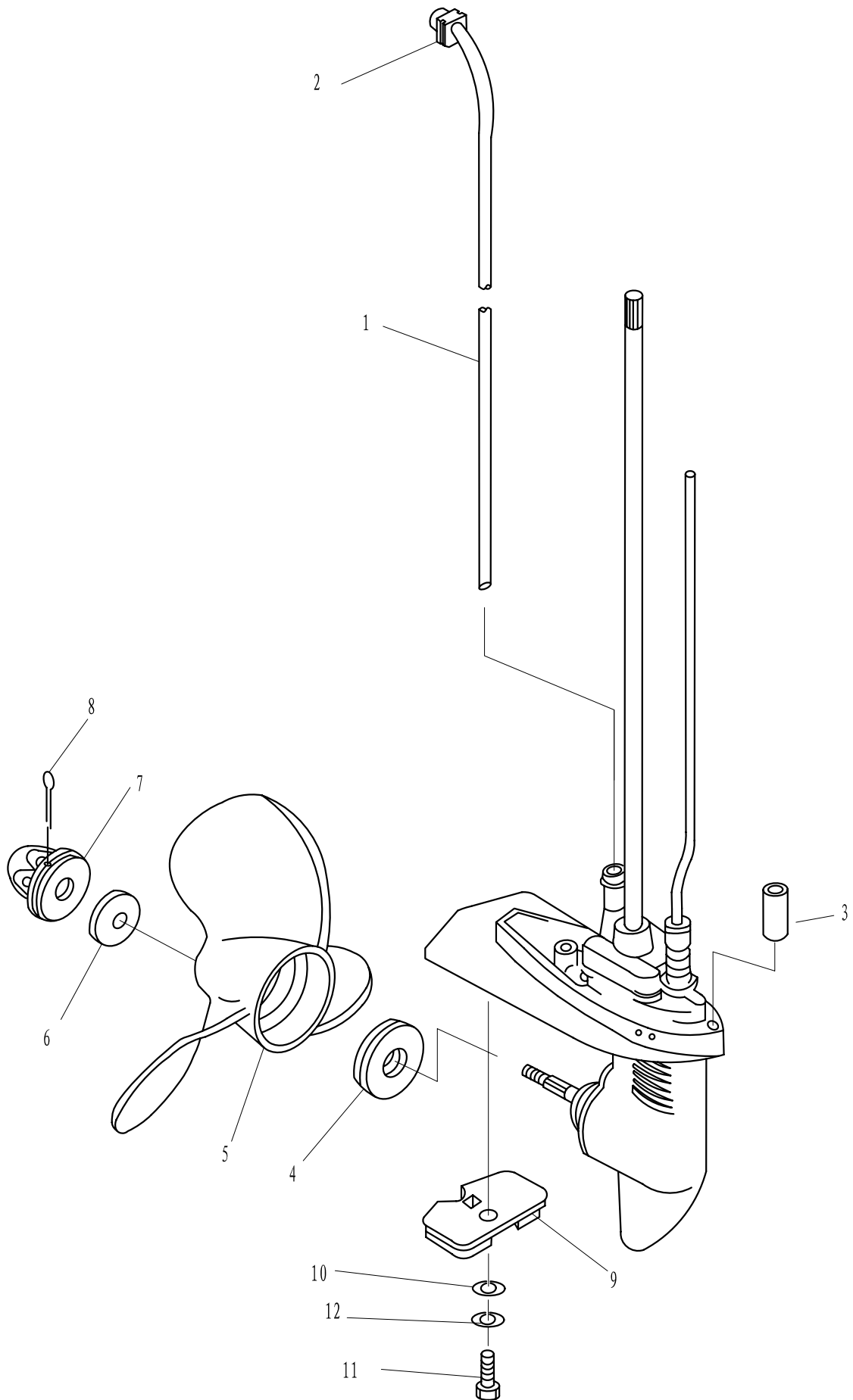
SN. 参照号码	PART NO. 零件编号	DESCRIPTION 零件名称(中文)	DESCRIPTION 零件名称(英文)	QTY 数量				REMARKS 备注
6	F4-03000018	泵壳密封垫	GASKET , WATER PUMP COVER	1				
7	F4-03000017	水泵内壳	INNER COVER, WATER PUMP	1				
8	F4-03060000	水泵叶轮	IMPELLER , WATER PUMP	1				
9	F4-03000015	外挡板	GUIDE PLATE, WATER PUMP	1				
10	F2.6-03000009	O形密封圈	O-RING	1				
11	T3.6-03010000	变档凸轮组件	CAM ASSY, SHIFT ROD LONG	1				L
	T3.6-03010000S	变档凸轮组件	CAM ASSY, SHIFT ROD SHORT	1				S
12	GB/T5783-M6x25	六角头螺栓M6x25	HEXAGON BOLT M6x25	1				
13	GB/T97.1-6	平垫圈6	WASHER 6	5				
14	F4-03000012	水泵座	BASE , WATER PUMP	1				
15	F4-03000011	水泵座密封垫	GASKET, WATER PUMP BASE	1				
16	F4-03000027	驱动轴下油封 10.8x21x7	OIL SEAL 10.8x21x7	2				
17	E4-03000003	螺旋桨轴垫圈	WASHER, SHAFT PROPELLER	1				
18	GB/T276-6302	深沟球轴承6302	DEEP GROOVE BALL BEARING 6302	1				
19	GB/T276-6004	深沟球轴承6004C2	DEEP GROOVE BALL BEARING 6004C2	2				
20	F4-03050002	螺旋桨轴油封13x22x7	OIL SEAL 13x22x7	2				
21	JISB2401 P48	水下装置壳体盖O形圈	O-RING P48	1				
22	F4-03050001	水下装置壳体盖	GEAR CASE GLAND	1				
23	GB/T5783-M6x20	六角头螺栓M6x20	HEXAGON BOLT M6x20	2				
24	F4-03000003	不带档边筒形轴承	CYLINDRICAL BEARING	1				
25	F4-03000023	注油孔螺塞	PLUG, STRAIGHT SCREW	3				
26	F4-03000024	注油孔螺塞垫圈	GASKET, STRAIGHT SCREW PLUG	3				
27	F4-03000001	水下装置壳体	GEAR CASE	1				
28	GB/T896-6	开口档圈6	CIRCLIP 6	1				
29	F4-03000007	主动齿轮	PINION	1				
30	F4-03000006	主动齿轮垫圈	WASHER, PINION	1				
31	F4-03000002	带档边筒形轴承	CYLINDRICAL BEARING	1				
32	F4-03000008	变档柱塞	PLUGER , SHIFT	1				
33	F4-03010000	正档齿轮组件	FORWARD GEAR ASSY	1				
34	F4-03030002	离合器块	CLUTCH	1				
35	F4-03030003	离合器块压簧	SPRING, CLUTCH	1				
36	T3.6-03020001	螺旋桨轴	PROPELLER SHAFT	1				
37	T3.6-03000001	驱动轴	SHAFT, DRIVE LONG	1				L
	T3.6-03000001S	驱动轴	SHAFT, DRIVE SHORT	1				S
38	F4-03000016	叶轮定位销	PIN, WATER PUMP	2				
39	F4-03000005	轴用钢丝档圈	CLIP	1				
40	GB/T5782-M6x167	六角头长螺栓M6x167	BOLT M6X167 L	2				
	GB/T5782-M6x40	六角头长螺栓M6x40	BOLT M6X40 S	2				
41	GB/T879.2-φ2.5x20	轻型直槽圆柱销φ2.5x20	PIN	1				
42	F4-03050000	水下装置壳体盖组件	GLAND ASSY, GEAR CASE	1				
43	F4-03000028	O形圈挡板	PLATE, O-RING	1				
44	GB/T818-M5x6	十字槽盘头螺钉 M5x6	PAN HEAD SCREW M5X6	2				
45	T3.6-03000000L	水下装置壳体总成L	LGEAR CASE ASSY LONG	1				L
	T3.6-03000000S	水下装置壳体总成S	GEAR CASE ASSY SHORT	1				S

零部件名称:

水下装置壳体 and 驱动系统

PARTS NAME:

LOWER CASING & DRIVE 2



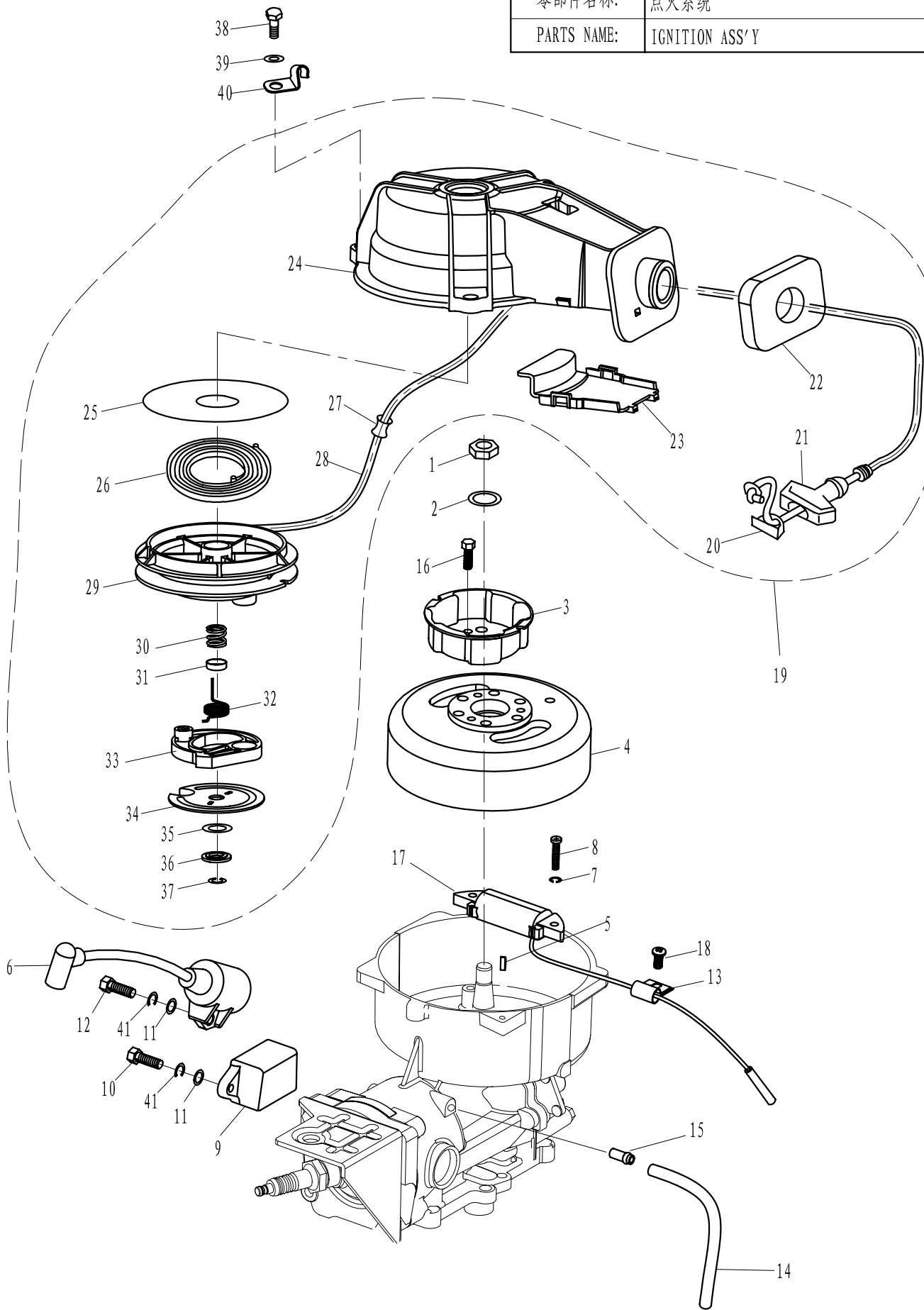


零部件名称:

点火系统

PARTS NAME:

IGNITION ASS'Y





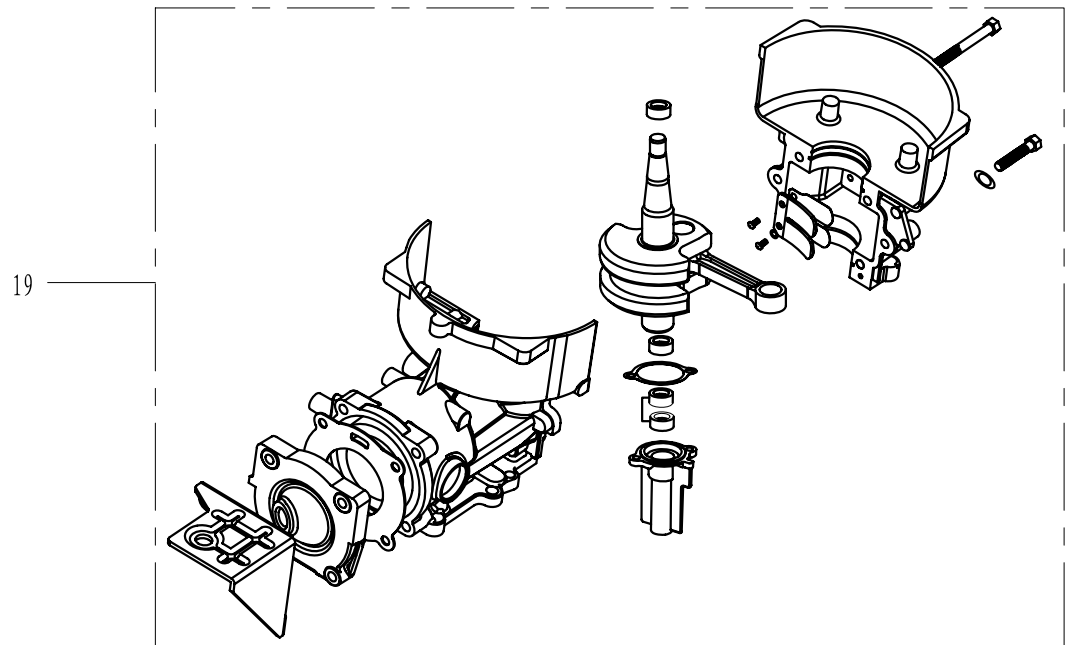
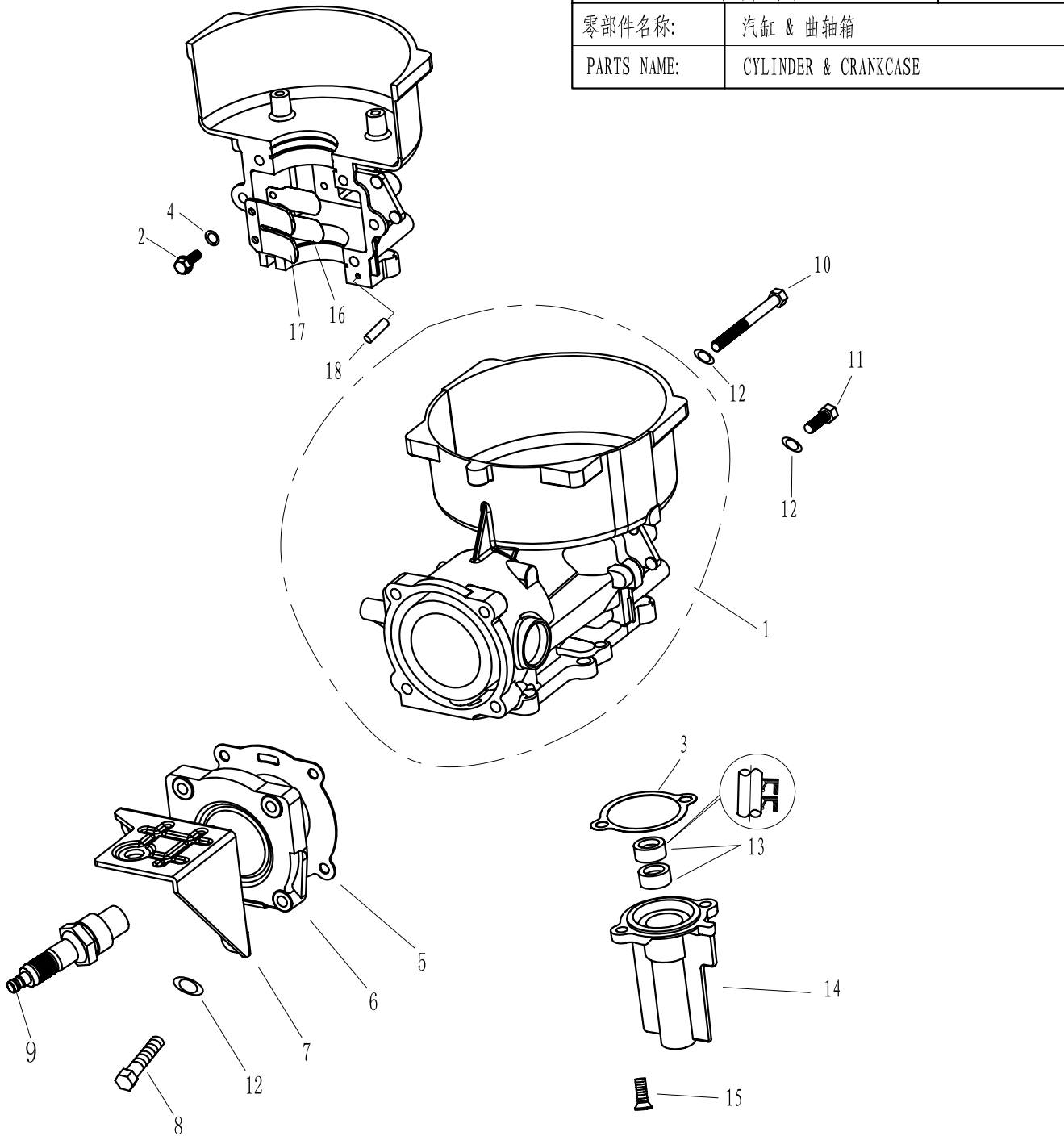


零部件名称:

汽缸 & 曲轴箱

PARTS NAME:

CYLINDER & CRANKCASE



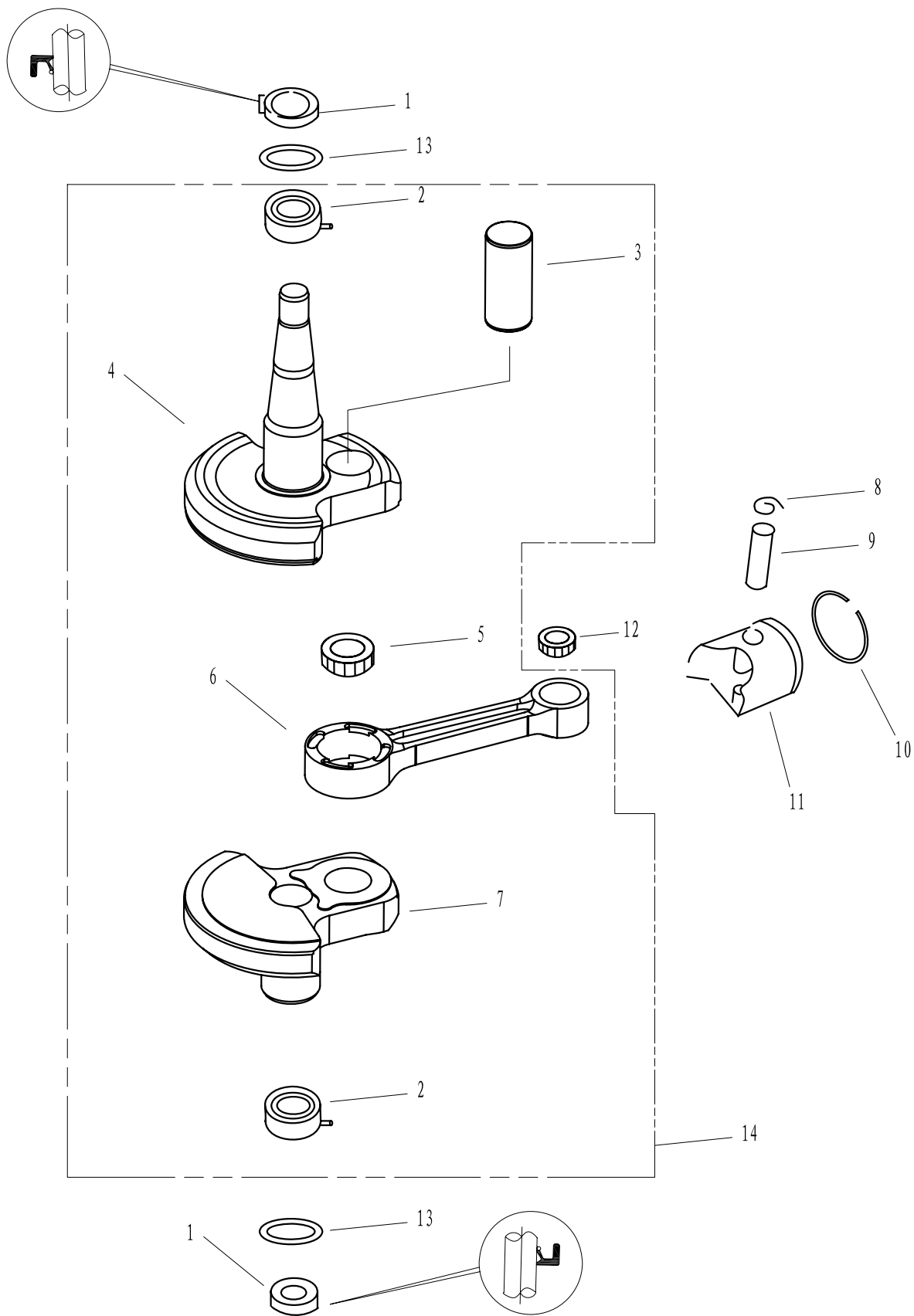


零部件名称:

曲轴&活塞

PARTS NAME:

CRANKSHAFT & PISTON



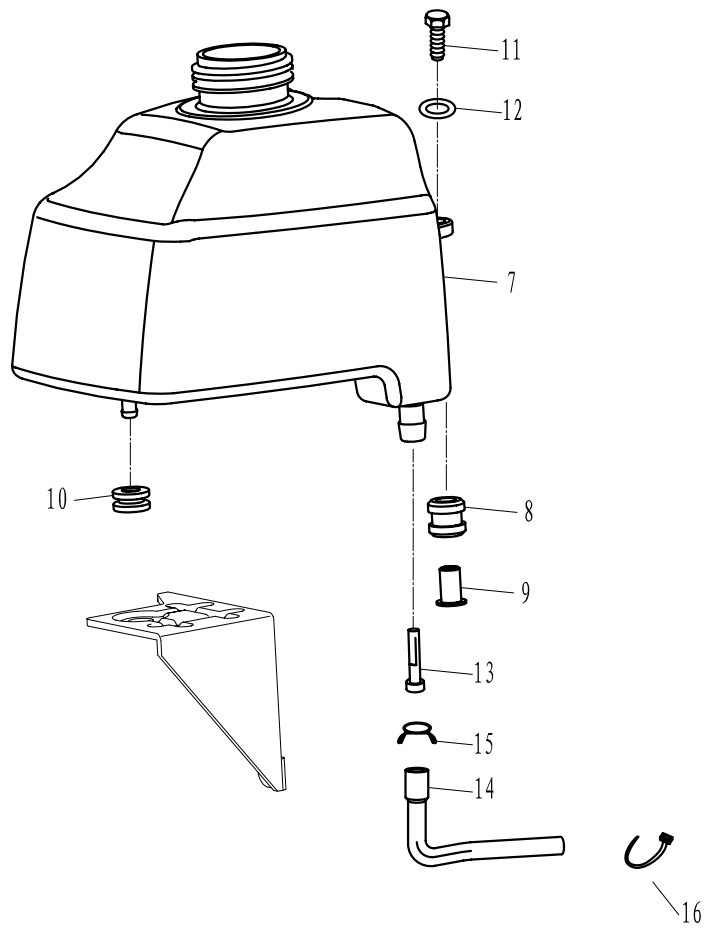
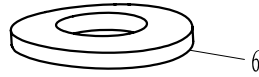
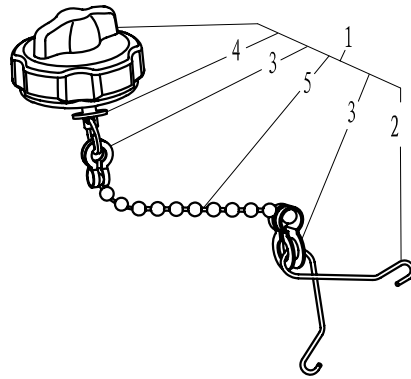


零部件名称:

燃油系统

PARTS NAME:

FUEL





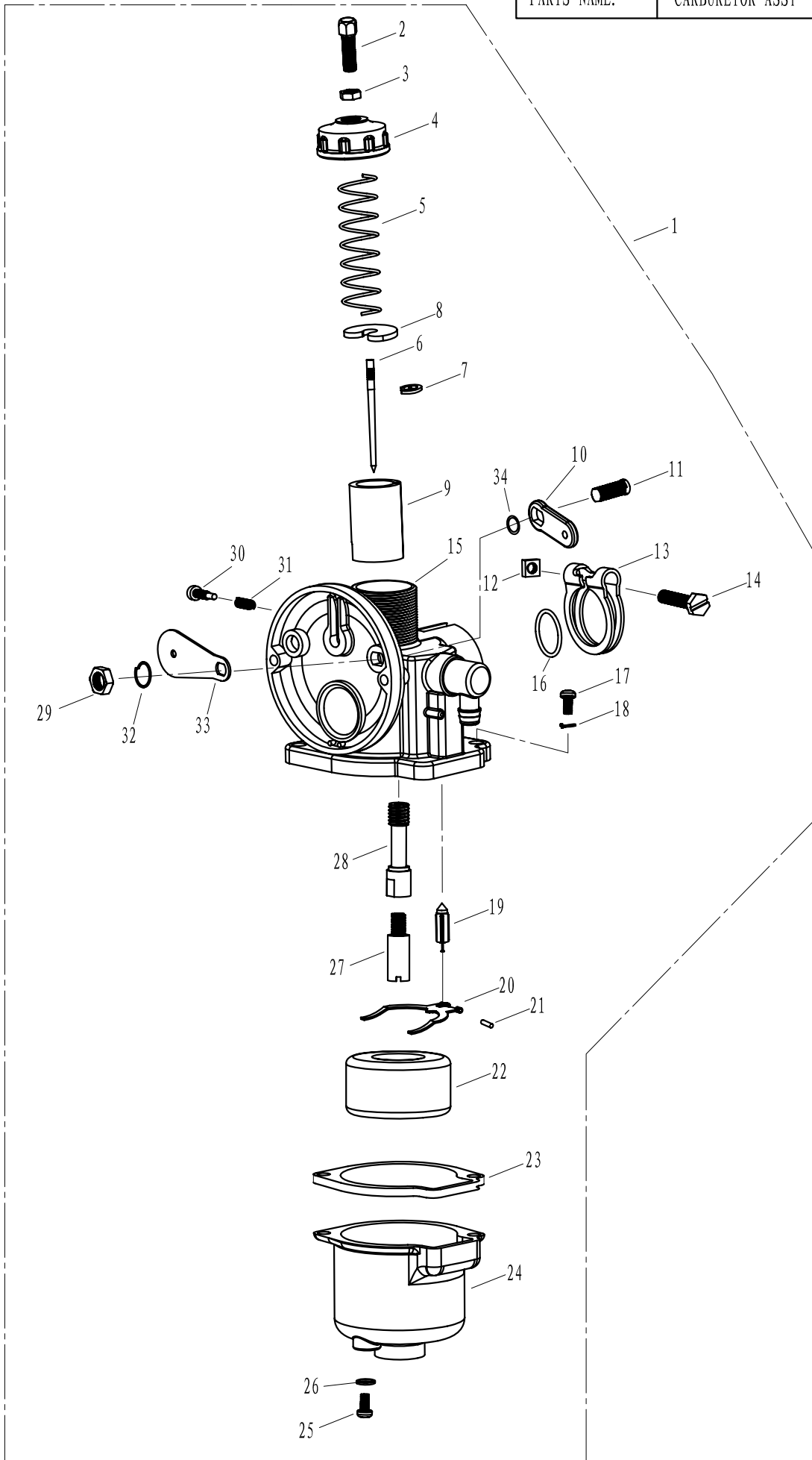


零部件名称:

化油器总成

PARTS NAME:

CARBURETOR ASSY





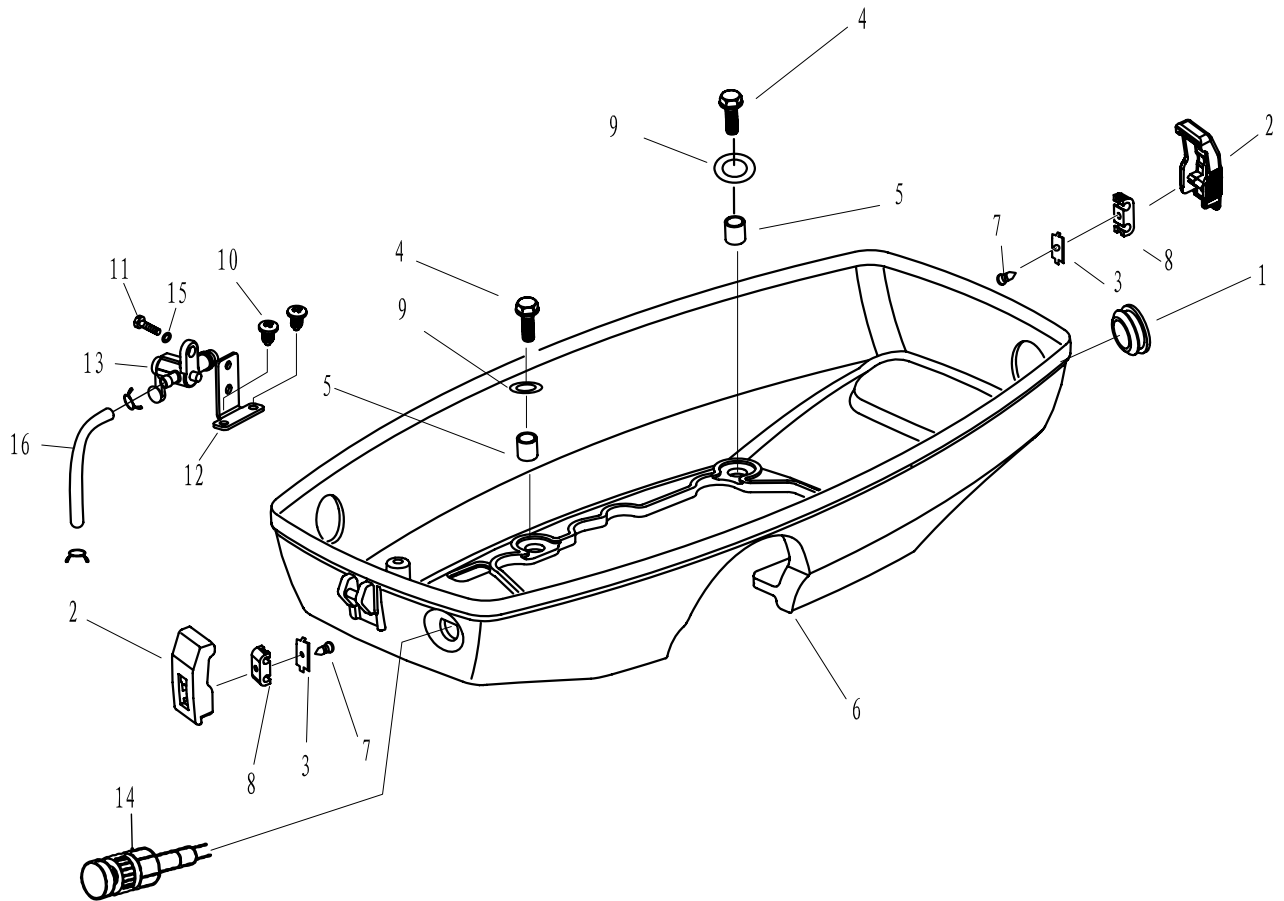


零部件名称:

底罩

PARTS NAME:

BOTTOM COWLING



SN. 参照号码	PART NO. 零件编号	DESCRIPTION 零件名称(中文)	DESCRIPTION 零件名称(英文)	QTY 数量					REMARKS 备注
1	T3.6-05000003	圆形堵塞	RUBBER PLUG	1					
2	F2.6-05000008	顶罩锁紧钩	LOCKING HOOK	2					
3	F2.6-05000010	金属连接杆	METALLIC LINK ROD	2					
4	GB/T5783-M6x16	六角螺栓M6x16	BOLT M6X16	4					
5	T3.6-05000002	底罩垫管	SPCER, BOTTOM COWLING	4					
6	T3.6-05000001	底罩	BOTTOM COWLING	1					
7	GB/T845-ST2.9x6.5	十字槽盘头自攻螺钉ST2.9x6.5	PAN HEAD SCREW ST2.9X6.5	2					
8	F2.6-05000009	锁紧钩连接件	LOCKING CONNECTER	2					
9	GB/T96-6	平垫圈6	WASHER 6	4					
10	GB/T845-ST4.8x13	十字槽盘头自攻螺钉ST4.8x13	PAN HEAD SCREW ST4.8X13	2					
11	GB/T5783-M5x10	六角螺栓M5x10	BOLT M5X10	1					
12	T3.6-05000101	油开关固定板	FIXED PLATE, FUEL COCK	1					
13	T3.6-05000100	油开关组件	FUEL COCK ASSY	1					
14	T3.6-05000200	阻风门组件	CHOKE ASSY	1					
15	GB/T97.1-5	平垫圈5	WASHER 5	1					
16	T3.6-05000005	燃油管B $\phi 10 \times \phi 5$	FUEL PIPE B	1					

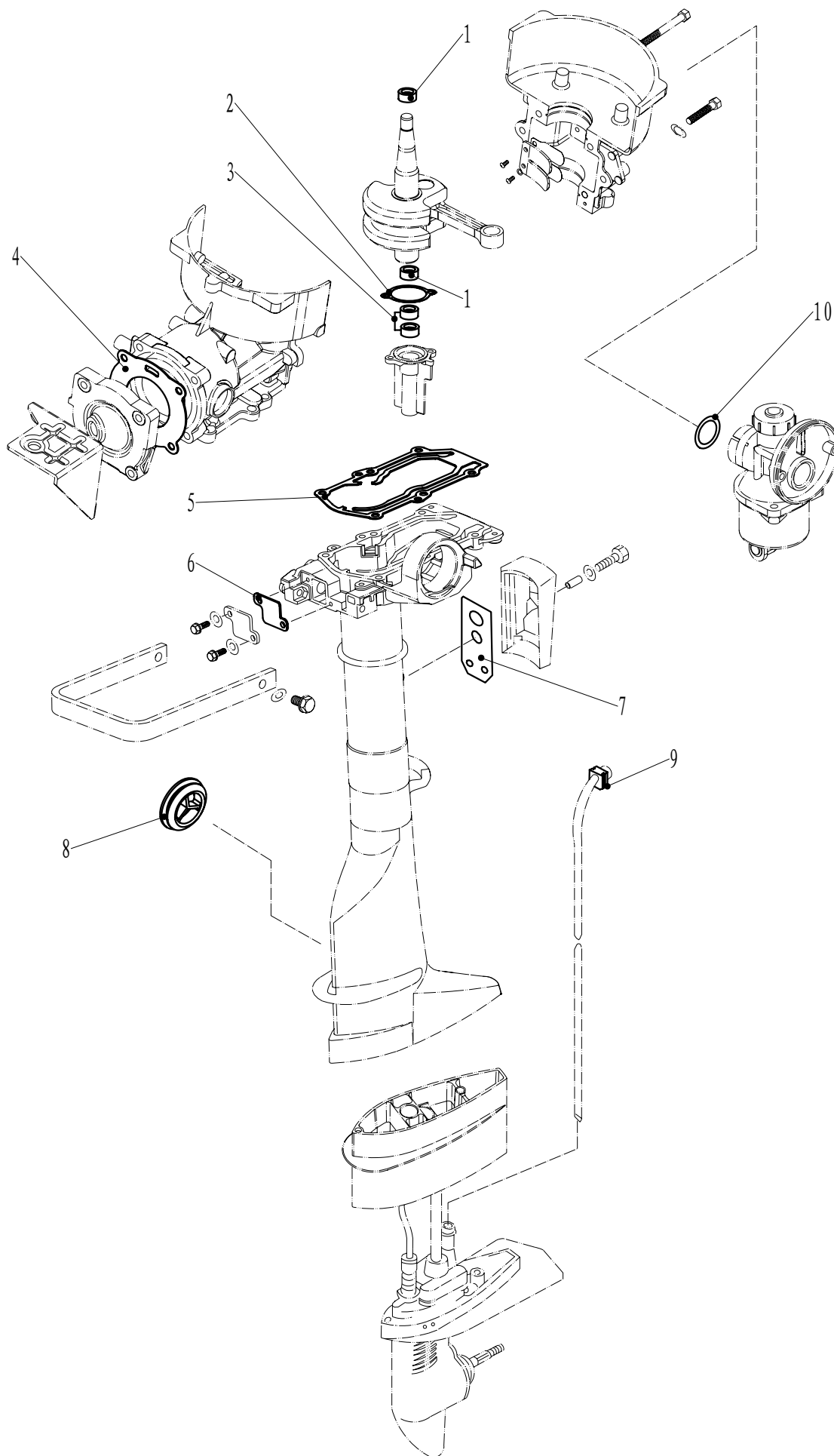


零部件名称:

修理套件 1

PARTS NAME:

REPAIR KIT 1



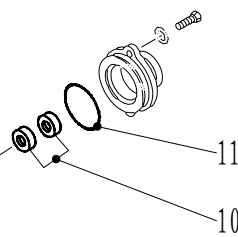
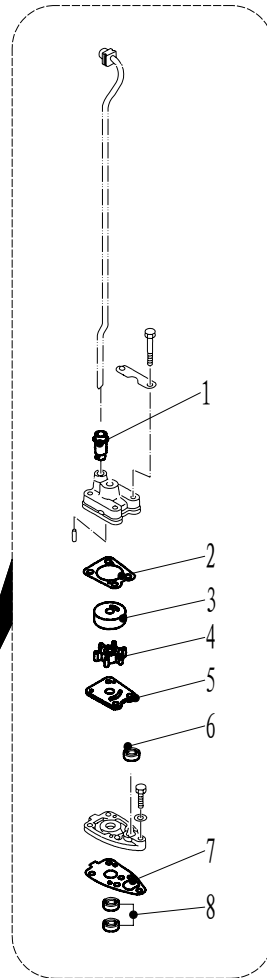
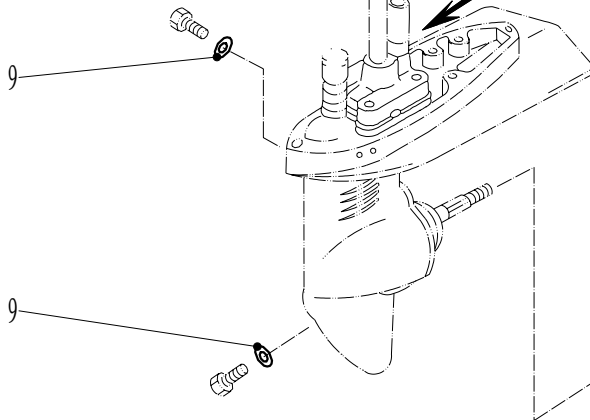
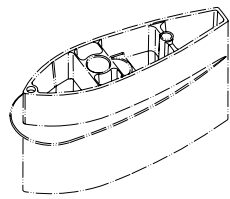
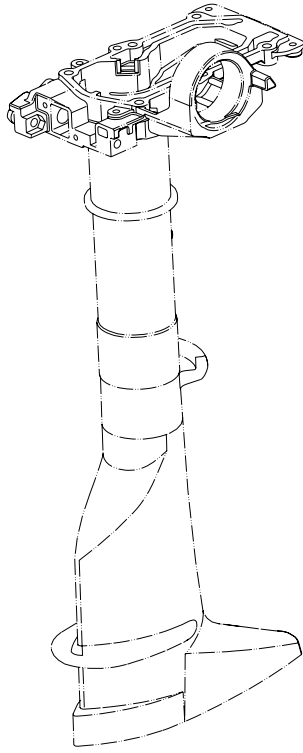


零部件名称:

修理套件2

PARTS NAME:

REPAIR KIT 2





零部件名称:

零件目录检索表

PARTS NAME:

PARTS CATALOGUE INDEX

零件代号 PART NO.	页码/序号 PAGE/NO.	零件代号 PART NO.	页码/序号 PAGE/NO.	零件代号 PART NO.	页码/序号 PAGE/NO.
BPR7HS 10	16-9	F4-01090001	6-11	F4-04120005	20-13
E4-03000003	10-17	F4-01090002	6-12	F4-04120100	20-1
F15-00000006	16-18	F4-01090003	6-16	F4-04120103	20-2
F2.6-00000001	2-6	F4-01090006	4-17	F4-04120104	20-5
F2.6-00000002	2-7		6-17	F4-04120105	20-3
F2.6-00000100	4-37	F4-01090007	6-18	F4-04120106	20-4
F2.6-00000101	4-6	F4-01090100	6-15	F4-04130013	14-27
F2.6-00000102	4-39	F4-01090200	6-10	F4-04130101	14-21
F2.6-00000102	8-11	F4-01090400	6-27	F4-04130102	14-20
F2.6-01000001	4-23	F4-01090401	6-26	F4-05000010	20-15
F2.6-01000002	4-33	F4-02000003	2-11	F4-05000014	6-5
F2.6-01000003	4-11	F4-02000012	8-6	JISB2401-P9	2-13
F2.6-01000004	4-12	F4-02030001	8-18	JISB2401 P48	10-21
F2.6-01010000	4-27	F4-02030002	8-17	T15-01020302	6-24
F2.6-01010001	4-35	F4-02030003	8-16	T15-04010202	14-15
F2.6-01020000	4-28	F4-03000001	10-27	T3.6-00000001	8-7
F2.6-01030001	4-22	F4-03000002	10-31	T3.6-00000002	25-1
F2.6-01030003-A	4-18	F4-03000003	10-24	T3.6-02000001	8-1
F2.6-01030009	4-19	F4-03000005	10-39	T3.6-02000002L	12-1
F2.6-01030100-A	4-16	F4-03000006	10-30	T3.6-02000002S	12-1
F2.6-01040000	4-38	F4-03000007	10-29	T3.6-02000003	2-5
F2.6-01040001	4-15	F4-03000008	10-32	T3.6-02000004	2-2
F2.6-01040100	4-14	F4-03000011	10-15	T3.6-02000005	8-8
F2.6-01050001	4-5	F4-03000012	10-14	T3.6-02000006	8-9
F2.6-01050002	4-4	F4-03000013	9-4	T3.6-02000007	8-12
F2.6-01050100	4-13	F4-03000015	10-9	T3.6-02000008	12-2
F2.6-01050101	4-3	F4-03000016	10-38	T3.6-02000009	8-2
F2.6-01050200	4-10	F4-03000017	10-7	T3.6-02010001	6-20
F2.6-02000004	8-3	F4-03000018	10-6	T3.6-02010100	6-25
F2.6-03000009	10-10	F4-03000019	9-5	T3.6-02010101	6-22
F2.6-03010001	12-5	F4-03000020	9-2	T3.6-02020000	2-1
F2.6-04000033	20-6	F4-03000021	9-3	T3.6-02040000	6-28
F2.6-04000034	20-10	F4-03000022	12-9	T3.6-03000000L	10-45
F2.6-05000008	24-2	F4-03000023	10-25	T3.6-03000000S	10-45
F2.6-05000009	24-8	F4-03000024	10-26	T3.6-03000001	10-37
F2.6-05000010	24-3	F4-03000025	12-4	T3.6-03000001S	10-37
F4-00000001	8-15	F4-03000026	12-6	T3.6-03010000	10-11
	12-3	F4-03000027	10-16	T3.6-03010000S	10-11
F4-00000005	2-8	F4-03000028	10-43	T3.6-03020001	10-36
F4-01000008	6-3	F4-03010000	10-33	T3.6-04000001	16-5
F4-01000009	6-8	F4-03030002	10-34	T3.6-04000002	16-6
F4-01000010	6-6	F4-03030003	10-35	T3.6-04000003	16-7
F4-01000011	6-4	F4-03050000	10-42	T3.6-04000004	16-3
F4-01000012	6-7	F4-03050001	10-22	T3.6-04000005	14-13
F4-01000014	6-2	F4-03050002	10-20	T3.6-04000006	14-5
F4-01010002	4-30	F4-03060000	10-8	T3.6-04000007	14-3
F4-01010003	4-32	F4-03080000	12-7	T3.6-04000008	21-2
F4-01010004	4-31	F4-04000026	14-1	T3.6-04000009	14-14
F4-01010005	4-29	F4-04060004	16-13	T3.6-04000010	20-9
F4-01060002	4-2	F4-04120002	20-8	T3.6-04000012	21-4



零部件名称:

零件目录检索表

PARTS NAME:

PARTS CATALOGUE INDEX

零件代号 PART NO.	页码/序号 PAGE/NO.	零件代号 PART NO.	页码/序号 PAGE/NO.	零件代号 PART NO.	页码/序号 PAGE/NO.
T3.6-04000013	20-14	T3.6-04020005	18-9		
T3.6-04000014	14-22	T3.6-04020100	18-14		
T3.6-04000015	14-40	T3.6-04020101	18-4		
T3.6-04000016	14-2	T3.6-04020102	18-3		
T3.6-04000100	14-17	T3.6-04020103	18-5		
T3.6-04000200	14-4	T3.6-04020104	18-6		
T3.6-04000300	14-6	T3.6-04020105	18-7		
T3.6-04000400	14-9	T3.6-04020107	18-2		
T3.6-04000500	21-1	T3.6-04030001	16-14		
T3.6-04000500	23-1	T3.6-04040000	14-19		
T3.6-04000501	21-5	T3.6-04040001	14-29		
T3.6-04000502	23-16	T3.6-04040002	14-32		
T3.6-04000503	23-15	T3.6-04040003	14-31		
T3.6-04000504	23-11	T3.6-04040004	14-30		
T3.6-04000505	23-10	T3.6-04040005	14-36		
T3.6-04000506	23-34	T3.6-04040006	14-34		
T3.6-04000507	23-33	T3.6-04040007	14-33		
T3.6-04000508	23-30	T3.6-04040008	14-28		
T3.6-04000509	23-31	T3.6-04040009	14-26		
T3.6-04000510	23-13	T3.6-04040010	14-25		
T3.6-04000511	23-12	T3.6-04040011	14-35		
T3.6-04000512	23-14	T3.6-04040100	14-24		
T3.6-04000514	23-28	T3.6-04040102	14-23		
T3.6-04000515	23-27	T3.6-04050001	20-7		
T3.6-04000516	23-19	T3.6-04060000	16-19		
T3.6-04000517	23-21	T3.6-05000001	24-6		
T3.6-04000518	23-20	T3.6-05000002	24-5		
T3.6-04000519	23-22	T3.6-05000003	24-1		
T3.6-04000520	23-23	T3.6-05000005	24-16		
T3.6-04000521	23-24	T3.6-05000100	24-13		
T3.6-04000522	23-29	T3.6-05000101	24-12		
T3.6-04000523	23-26	T3.6-05000200	24-14		
T3.6-04000524	23-9	T3.6-07000001	25-4		
T3.6-04000525	23-6	T3.6-07000003	25-2		
T3.6-04000526	23-7	T3.6-07000004	25-3		
T3.6-04000527	23-8				
T3.6-04000528	23-5				
T3.6-04000529	23-4				
T3.6-04000530	23-3				
T3.6-04000531	23-2				
T3.6-04000600	6-14				
T3.6-04010000	16-1				
T3.6-04010001	18-13				
T3.6-04010002	18-1				
T3.6-04010202	16-16				
T3.6-04010203	16-17				
T3.6-04020001	18-11				
T3.6-04020002	18-10				
T3.6-04020003	18-8				
T3.6-04020004	18-12				