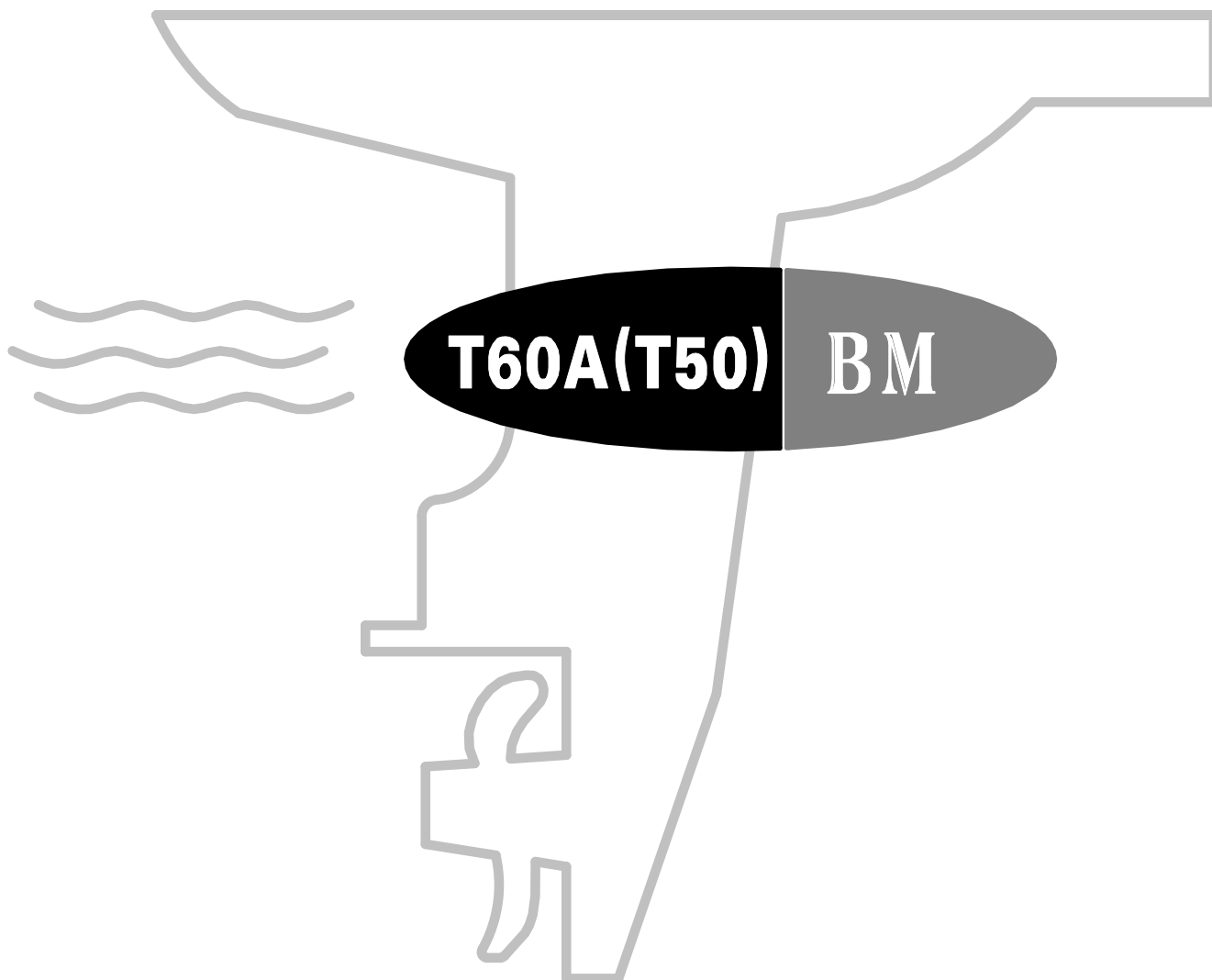


零件目录

PARTS CATALOGUE



苏州百胜动力机器股份有限公司

SUZHOU PARSUN POWER MACHINE CO., LTD

目次

CONTENTS

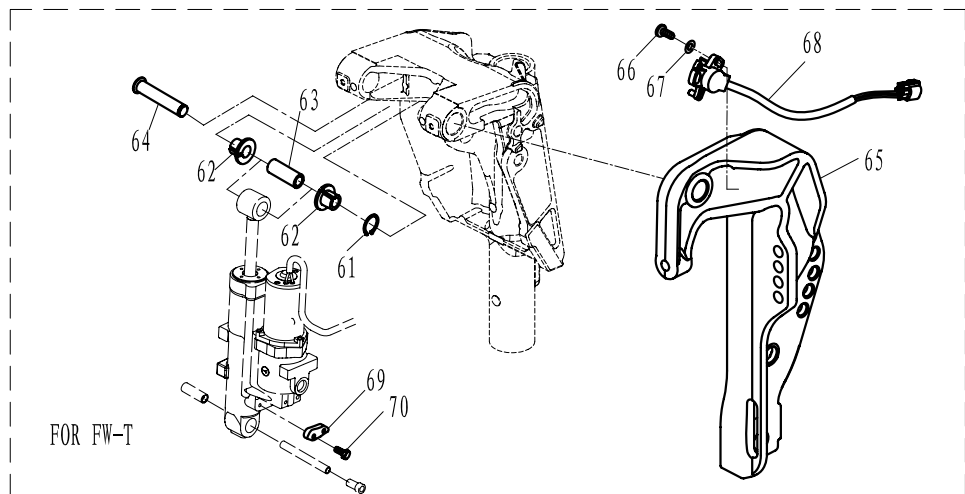
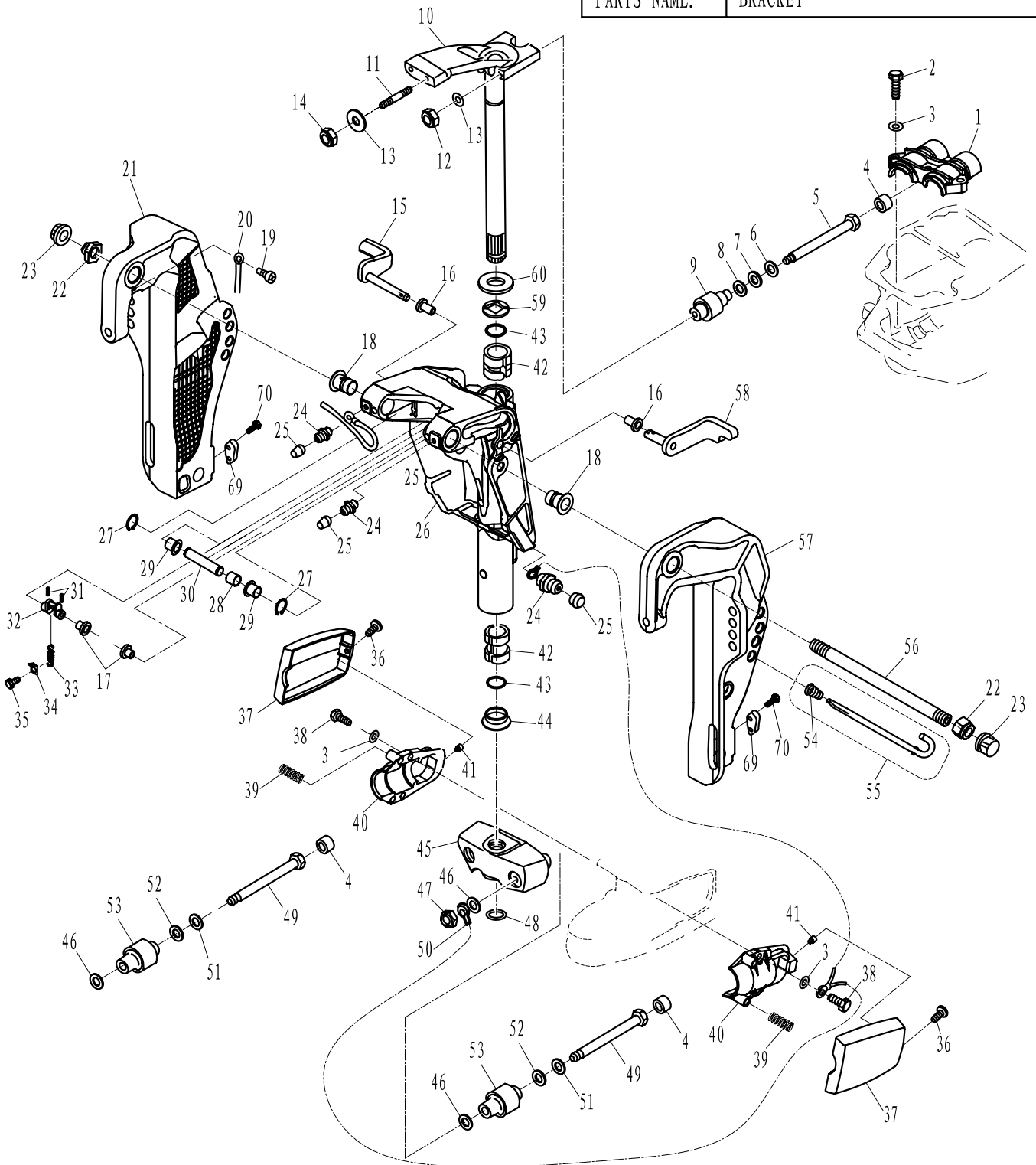
托架 I	1 ~ 3
BRACKET I	1 ~ 3
操舵系统	4 ~ 6
STEERING	4 ~ 6
水上装置壳体	7 ~ 8
UPPER CASING	7 ~ 8
底罩	9 ~ 10
BOTTOM COWLING	9 ~ 10
控制系统	11 ~ 12
CONTROL SYSTEM	11 ~ 12
水下装置壳体&驱动系统 I	13 ~ 15
LOWER CASING & DRIVE I	13 ~ 15
水下装置壳体&驱动系统 II	16 ~ 17
LOWER CASING & DRIVE II	16 ~ 17
电气系统 I	18 ~ 19
ELECTRICAL SYSTEM I	18 ~ 19
电气系统 II	20 ~ 21
ELECTRICAL SYSTEM II	20 ~ 21
电气系统 III	22 ~ 23
ELECTRICAL SYSTEM III	22 ~ 23
曲轴&活塞	24 ~ 25
CRANKSHAFT & PISTON	24 ~ 25
曲轴箱	26 ~ 28
CRANKCASE	26 ~ 28
燃油系统	29 ~ 30
FUEL SYSTEM	29 ~ 30
进气系统	31 ~ 32
INTAKE SYSTEM	31 ~ 32
化油器总成	33 ~ 35
CARBURETOR ASSY	33 ~ 35
顶罩组件	36 ~ 37
TOP COWLING ASSY	36 ~ 37
启动器	38 ~ 40
STARTER	38 ~ 40
燃油箱	41
FUEL TANK	41
液压起翘系统	42 ~ 44
HYDRAULIC TILT SYSTEM	42 ~ 44
手动起翘	45
MANUAL TILT	45
转向连杆组件	46
LINK ROA ASSY	46
操纵盒组件	47 ~ 49
CONTROL BOX ASSY	47 ~ 49
发动机头总成(修理件)	50 ~ 52
CYLINDER HEAD ASSY (REPAIR KIT)	50 ~ 52
附录1(修理件)	53 ~ 54
APPENDIX 1 (REPAIR KIT)	53 ~ 54
附录2(修理件)	55 ~ 56
APPENDIX 2 (REPAIR KIT)	55 ~ 56
零件目录检索表	I ~ V
PARTS CATALOGUE INDEX	I ~ V

零部件名称:

托架

PARTS NAME:

BRACKET



零部件名称:

托架

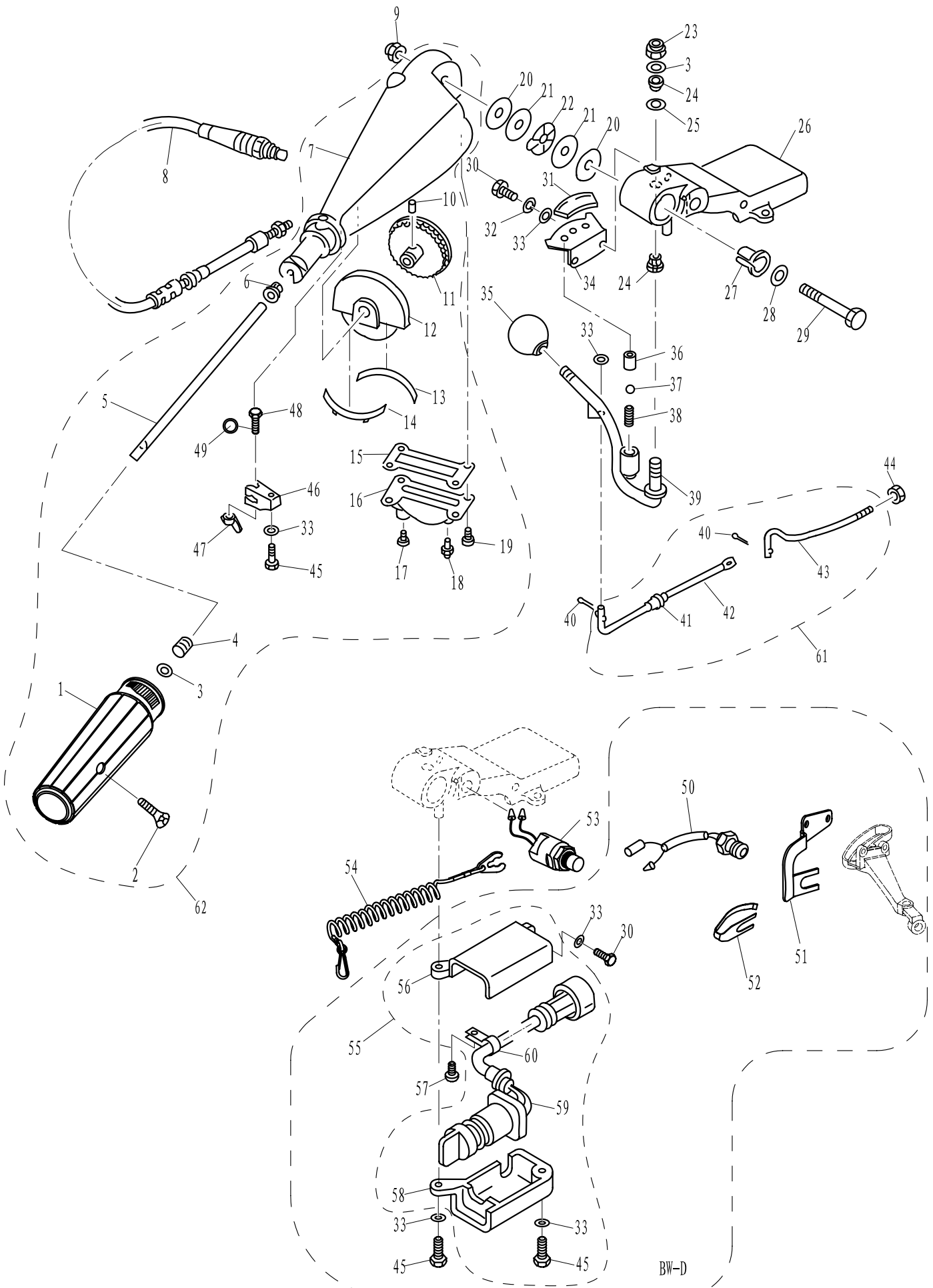
PARTS NAME:

BRACKET

SN. 参照号码	PART NO. 零件编号	DESCRIPTION 零件名称(中文)	DESCRIPTION 零件名称(英文)	QTY 数量					
1	T85-02000005	减震器盖	ABSORBER COVER	1					
2	GB/T5783-M8x35	六角螺栓M8x35	BOLT M8x35	3					
3	GB/T97.1-8	平垫圈8	WASHER 8	11					
4	T85-00000003	螺栓胶帽	ROBBER CAP	4					
5	T85-02020003	长螺栓	LONG BOLT	2					
6	T85-02020004	螺栓垫圈B	WASHER B	2					
7	T85-02020002	橡胶垫片B	WASHER B	2					
8	T85-02020001	减震器垫片B	ABSORBER WASHER B	4					
9	T85-02020100	减震器B	ABSORBER B	2					
10	T85-01020001	操舵托架	BRACKET	1					
11	T85-01020008	双头螺栓 M10x1.25x28	BOLT M10x1.25x28	2					
12	GB/T6170-M10x1.25	六角螺母M10x1.25	NUT M10x1.25	2					
13	GB/T97.1-10	平垫圈10	WASHER 10	2					
14	GB/T889.2-M10x1.25	六角锁紧螺母M10x1.25	NUT, SELF LOCKING M10x1.25	2					
15	F60-01010104	支撑架组件B	SUPPORTING ASSY B	1					
16	T85-01010203	支撑架尼龙衬套	BUSH, NYLON	2					
17	F60-01010103	支撑架尼龙衬套	BUSH, NYLON	2					
18	F60-01010004	螺管尼龙衬套	BUSH, NYLON	2					
19	GB/T818-M6x10	十字槽盘头螺钉 M6x10	SCREW M6x10	1					
20	T85-01010003	接地钢索A	WIRE, LEAD A	1					
21	F60-01010002	夹紧托架(右)	BRACKET, CLAMP (RIGHT)	1					
22	F15-01010007	托架夹紧螺母	NUT	2					
23	F25-01010011	塑料装饰螺母	NUT	2					
24	JB/T7940.1-M6	直通式压注油杯 M6	NIPPLE, GREASE	3					
25	T85-01010210	油杯胶帽	CAP, GREASE NIPPLE	3					
26	T60-01010301	旋转支架	BRACKET	1					
27	GB/T894.1-16	轴用弹性挡圈16	CIRCLIP 16	2					
28	T60-01010004	销轴衬套A	BUSH A	1					FOR BW-D FOR BM-D
29	T60-01010005	销轴衬套B	BUSH B	2					
30	T60-01010006	起翘销轴	PIN UPPER SHOCK MOUNT	1					
31	GB/T897.2-3x16	轻型直槽弹性圆柱销3x16	PIN, SPRING 3x16	2					
32	T85-01010206	支撑架摆杆组件	COLLAR, DISTANCE	1					
33	T85-01010207	摆杆拉簧	SPRING	1					
34	T85-01010208	拉簧支架	PLATE	1					
35	GB/T5783-M6x10	六角螺栓M6x10	BOLT M6x10	1					
36	GB/T823-M6x16	十字槽小盘头螺钉 M6x16	SCREW M6x16	2					
37	T60-00000003	减震器外盖	COVER, ABSORBER	2					
38	GB/T5783-M8x25	六角螺栓 M8x25	BOLT M8x25	4					
39	T85-00000007	减震器弹簧	SPRING	4					
40	T60-00000002	左右减震器盖板	PLATE, ABSORBER	2					
41	T85-00000006	塑料螺纹套	NUT	2					
42	T85-01020005	旋转支架衬套	BUSH	2					
43	T85-01020004	旋转支架O形圈	O-RING	2					

零部件名称: 操舵系统(手操)

PARTS NAME: STEERING (MANUAL CONTROL)



BW-D

零部件名称:

操舵系统(手操)

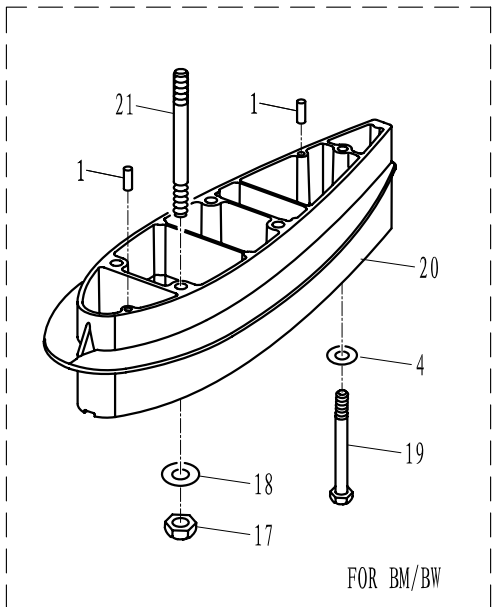
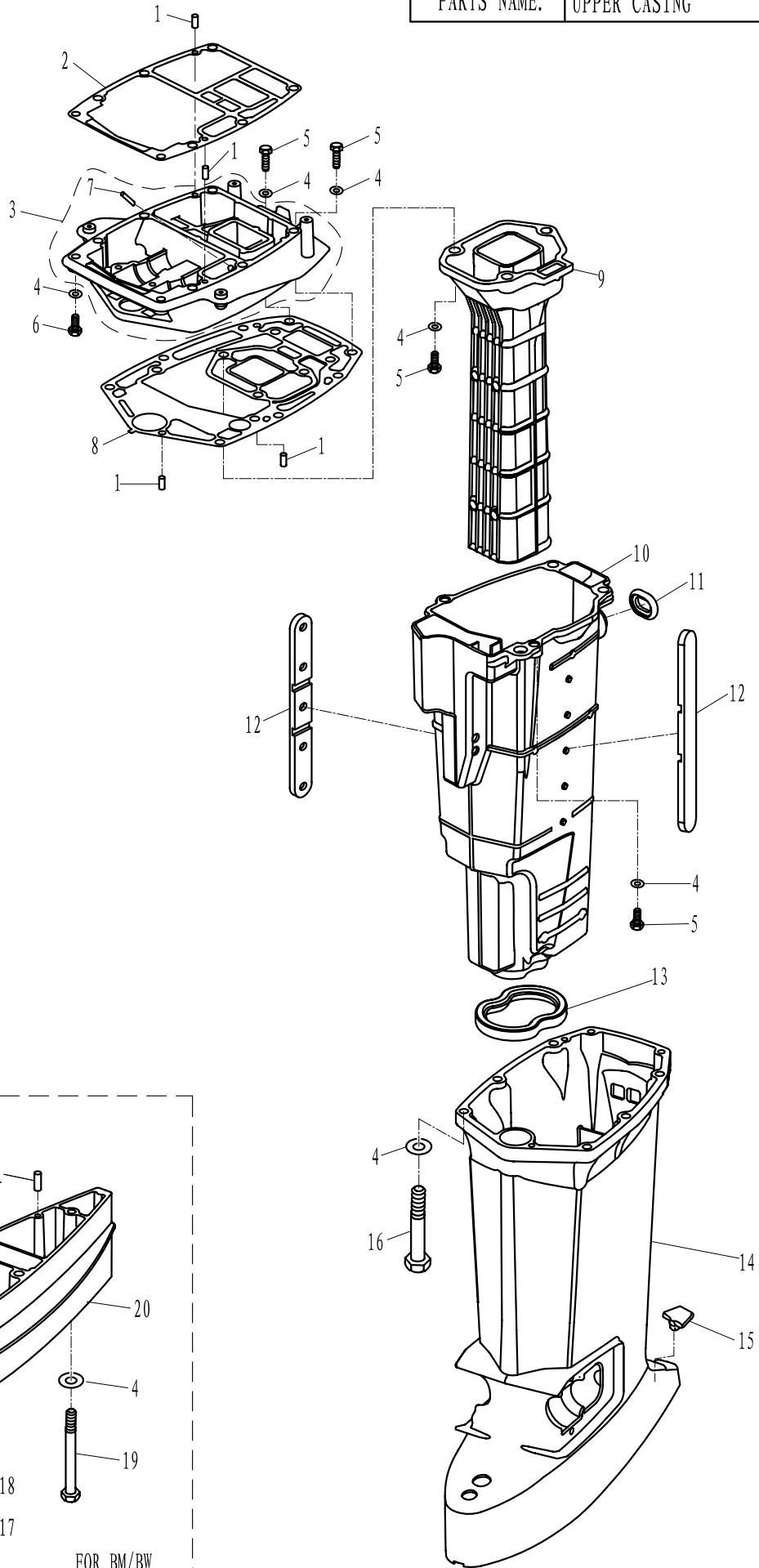
PARTS NAME:

STEERING (MANUAL CONTROL)

SN. 参照号码	PART NO. 零件编号	DESCRIPTION 零件名称(中文)	DESCRIPTION 零件名称(英文)	QTY 数量			REMARKS 备注
1	T15-01020400	操舵手柄握把组件	STEERING HANDLE ASSY	1			
2	GB/T820-M5x25	十字槽半沉头螺钉 M5x25	SCREW M5x25	1			
3	GB/T848-10	小垫圈 10	WASHER 10	2			
4	F4-01090007	压缩弹簧	SPRING, COMPRESION	1			
5	T60-01030101	节气门杆芯轴	THROTTLE LEVER	1			
6	F4-01090006	衬套	BUSH	1			
7	T60-01030001	操舵手柄	HANDLE, STEERING	1			
8	T85-01030200	油门推拉索组件	THROTTLE CABLE ASSY	1			
9	GB/T889. 2-M12x1. 25	非金属嵌件六角锁紧螺母 M12x1. 25	NUT, SELF-LOCKING M12x1. 25	1			
10	GB/T879. 4-Φ3x16	标准型卷制弹性圆柱销Φ3x16	PIN Φ3x16	1			
11	T85-01030102	节气门杆齿轮组件	THROTTLE LEVER, GEAR ASSY	1			
12	T85-01030002	齿轮盖板	HOUSING, THROTTLE LEVER	1			
13	T85-01030002-1	齿轮盖板嵌件A	WEDGE A, THROTTLE LEVER	1			
14	T60-01030002	齿轮盖板嵌件B	WEDGE B, THROTTLE LEVER	1			
15	T85-01030005	盖板密封垫	GASKET	1			
16	T60-01030003	节气门盖板	CAVER, THROTTLE LEVER	1			
17	GB/T818-M6x6	十字槽半沉头螺钉 M6x6	SCREW, PAN HEAD M6x6	1			
18	JB/T7940. 1-M6	直通压注式油杯M6	NOPPLE, GREASE	1			
19	GB/T818-M5x12	十字槽盘头螺钉 M5x12	SCREW, PAN HEAD M5x12	4			
20	T85-01030015	手柄减磨圈	WASHER	2			
21	T85-01030016	手柄垫圈	WASHER	2			
22	T85-01030017	手柄波形垫圈	WASHER WAVE	1			
23	GB/T889. 2-M10x1. 25	非金属嵌件六角锁紧螺母M10x1. 25	NUT, SELF-LUCKING	1			
24	T85-01030007	变档手柄尼龙衬套	BUSH, NYLON	2			
25	F25-01010009	尼龙垫圈	WASHER, NYLON	1			
26	T85-01030301	手柄托架	BARCKET	1			
27	T85-01030013	手柄托架尼龙衬套	BUSH	1			
28	GB/T97. 1-12	平垫圈 12	WASHER 12	1			
29	T85-01030014	托架螺栓 M12x1. 25x70	BOLT M12x1. 25x70	1			
30	GB/T5783-M6x16	六角螺栓 M6x16	BOLT M6x16	3			
31	T85-01030012	档位标牌	INDICATOR, SHIFT	1			
32	GB/T93-6	弹性垫圈 6	WASHER, SPRING	2			
33	GB/T97. 1-6	平垫圈 6	WASHER 6	7			
34	T85-01030011	变档档位板	CAM PLATE, HANDLE	1			
35	JB/T727. 1-M10x32	手柄球 M10x32	HANDLE BALL	1			
36	T85-01030010	变档弹簧导向套	COLLAR	1			
37	GB/T308-12	钢珠 12	BALL 12	1			
38	T85-01030009	变档手柄弹簧	SPRING	1			
39	T85-01030500	变档手柄组件	HANDLE, GEAR SHIFT	1			
40	GB/T91-Φ2x12	开口销Φ2x12	PIN Φ2x12	2			
41	T85-01030018	变档连接杆衬套	BUSH	1			
42	T60-01030202	变档连接杆B	CONNECTING ROD B	1			
43	T60-01030201	变档连接杆A	CONNECTING ROD A	1			

零部件名称: 水上装置壳体

PARTS NAME: UPPER CASING

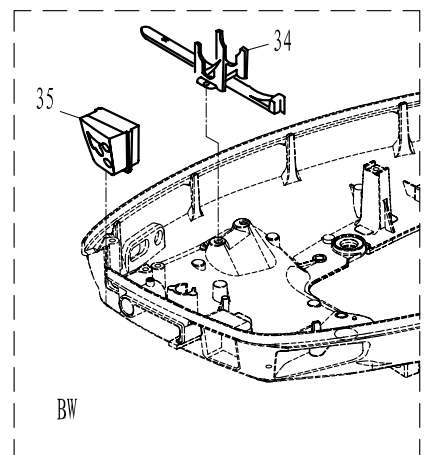
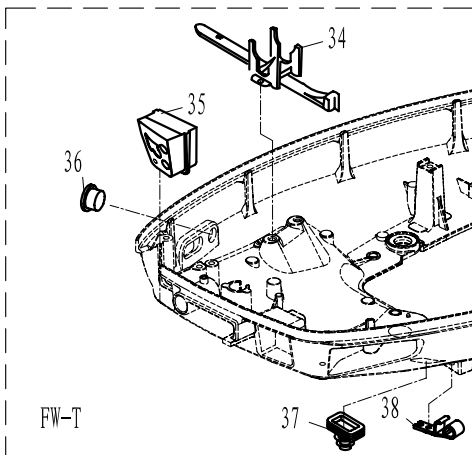
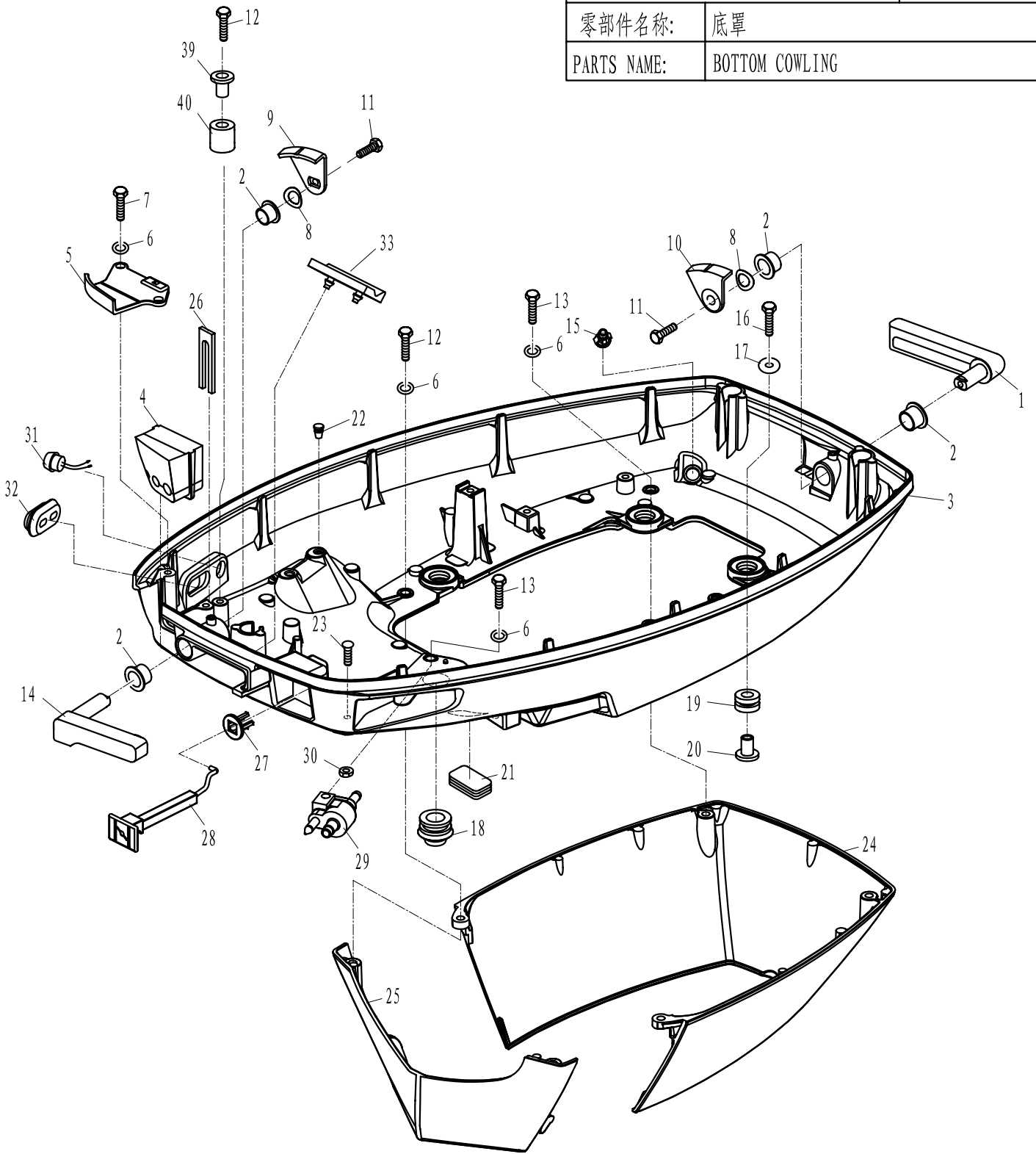


零部件名称:

底罩

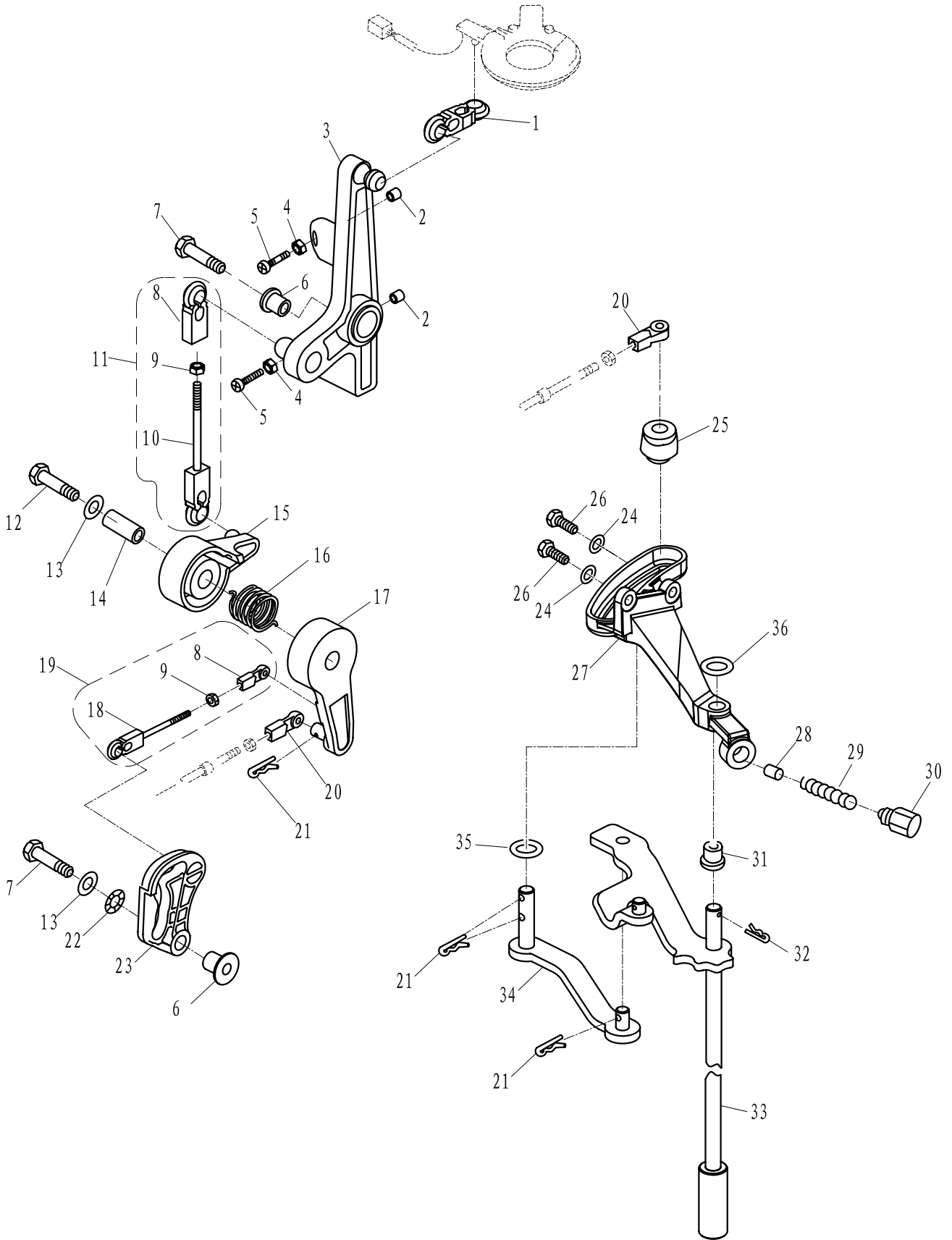
PARTS NAME:

BOTTOM COWLING



零部件名称: 控制系统

PARTS NAME: CONTROL SYSTEM

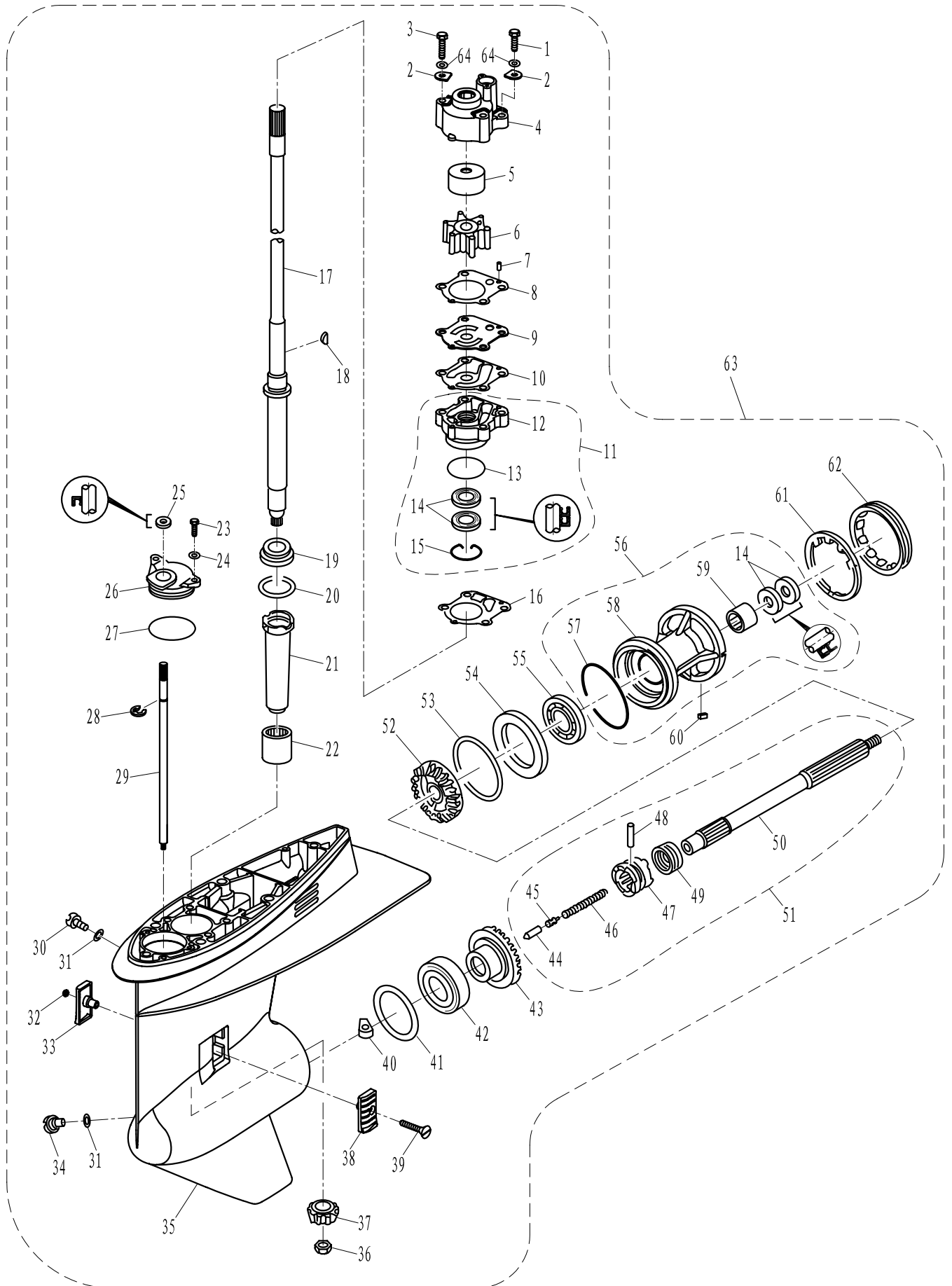


零部件名称:

水下装置壳体 & 驱动系统 I

PARTS NAME:

LOWER CASING & DRIVE I



零部件名称:

水下装置壳体 & 驱动系统 I

PARTS NAME:

LOWER CASING & DRIVE I

SN. 参照号码	PART NO. 零件编号	DESCRIPTION 零件名称(中文)	DESCRIPTION 零件名称(英文)	QTY 数量					REMARKS 备注
1	GB/T5782-M8x50	六角螺栓 M8x50	BOLT M8x50	2					
2	T40-04000012	水泵壳体压板	PLATE, WATER PUMP	4					
3	GB/T5782-M8x70	六角螺栓 M8x70	BOLT M8x70	2					
4	T85-04000401	水泵壳体	SHELL , WATER PUMP	1					
5	T85-04000402	水泵内壳	INNER SHELL, WATER PUMP	1					
6	T85-04000300	水泵叶轮	IMPELLER, WATER PUMP	1					
7	F25-04000007	定位销Φ4x10	DOWEL PIN Φ4x10	2					
8	T85-04000017	外挡板上密封垫	UPPER GASKET, OUTER PLATE	1					
9	T85-04000016	外挡板	OUTER PLATE	1					
10	T85-04000015	外挡板下密封垫	LOWER GASKET, OUTER PLATE	1					
11	T85-04000200	水泵座组件	WATER PUMP BASE ASSY	1					
12	T85-04000201	水泵座	BASE, WATER PUMP	1					
13	T85-04000204	水泵座O形圈46.7x3.1	O-RING, WATER PUMP BASE	1					
14	T85-04000202	水泵座油封 25x40x6	OIL SEAL 25x40x6	4					
15	T85-04000203	油封挡圈	CIRCLIP, OIL SEAL	1					
16	T85-04000014	水泵座密封垫	GASKET, WATER PUMP BASE	1					
17	T60-04010000BM(22寸)	驱动轴组件(22寸)	DRIVE SHAFT ASSY (22寸)	1					BM/BW
	T60-04010000FW(20寸)	驱动轴组件(20寸)	DRIVE SHAFT ASSY (20寸)	1					FW
18	T85-04000018	叶轮半圆键	SEMICIRCULAR KEY	1					
19	L44649 H1-CAP KOYO	驱动轴圆锥滚子轴承L44649	ROLLER BEARING L44649	1					
20	T85-04000003-1	驱动轴填隙片(t: 0.10毫米)	SHIM(t: 0.10mm)						
	T85-04000003-2	驱动轴填隙片(t: 0.12毫米)	SHIM(t: 0.12mm)						
	T85-04000003-3	驱动轴填隙片(t: 0.15毫米)	SHIM(t: 0.15mm)						
	T85-04000003-4	驱动轴填隙片(t: 0.18毫米)	SHIM(t: 0.18mm)						
	T85-04000003-5	驱动轴填隙片(t: 0.30毫米)	SHIM(t: 0.30mm)						
	T85-04000003-6	驱动轴填隙片(t: 0.40毫米)	SHIM(t: 0.40mm)						
	T85-04000003-7	驱动轴填隙片(t: 0.50毫米)	SHIM(t: 0.50mm)						
21	T85-04000002	长尼龙套管	BUSHING , NYLON	1					
22	NSK 1620	滚针轴承 1620	QUILL BEARING	1					
23	GB/T5783-M6x16	六角螺栓 M6x16	BOLT M6x16	2					
24	GB/T97.1-6	平垫圈6	WASHER 6	2					
25	T85-04000011	变档凸轮油封9x19x5	OIL SEAL 9x19x5, CAM SHAFT	1					
26	T85-04000009	变档凸轮盖板	PLATE, CAM SHAFT	1					
27	JASO F404 31-50	盖板O型圈49.4x3.1	O-RING 49.4x3.1	1					
28	GB/T896-8	开口挡圈 8	CIRCLIP 8	1					
29	T85-04000008	变档凸轮轴	CAMSHAFT	1					
30	F4-03000023	注油孔螺塞	PLUG, HOLE OIL	1					
31	F4-03000024	注油孔螺塞垫	GASKET	2					
32	GB/T889.1-M5	非金属嵌件六角锁紧螺母M5	LOCKING NUT M5	1					
33	T85-04000023	进水口B	WATER INLET B	1					
34	F25-04000031	放油螺塞	PLUG, OIL RELEASE	1					
35	T85-04000001	水下装置壳体	LOWER CASING	1					
36	T85-04000006	小齿轮螺母	NUT, PINION	1					

零部件名称:

水下装置壳体 & 驱动系统 I

PARTS NAME:

LOWER CASING & DRIVE I

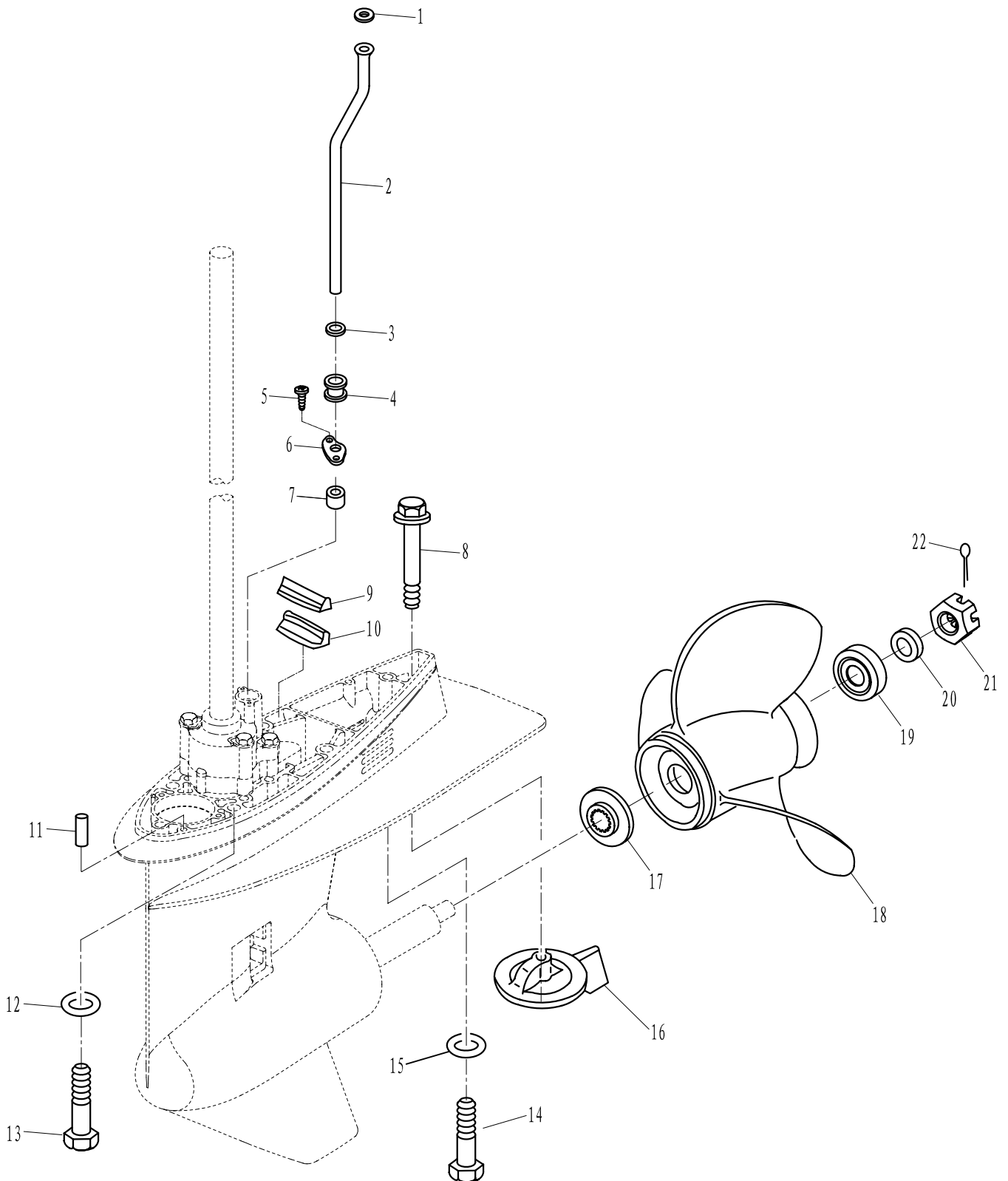
SN. 参照号码	PART NO. 零件编号	DESCRIPTION 零件名称 (中文)	DESCRIPTION 零件名称 (英文)	QTY 数量					REMARKS 备注
37	T60-04000002	小齿轮	PINION	1					
38	T85-04000022	进水口A	WATER INLET A	1					
39	GB/T820-M5x45	十字头半沉头螺钉M5x45	SCREW M5x45	1					
40	T85-04000007	变档凸轮	CAM, SHIFT	1					
41	T85-04000004-1	正档齿轮填隙片 (T=0.10毫米)	SHIM (t: 0.10mm)						
	T85-04000004-2	正档齿轮填隙片 (T=0.12毫米)	SHIM (t: 0.12mm)						
	T85-04000004-3	正档齿轮填隙片 (T=0.15毫米)	SHIM (t: 0.15mm)						
	T85-04000004-4	正档齿轮填隙片 (T=0.18毫米)	SHIM (t: 0.18mm)						
	T85-04000004-5	正档齿轮填隙片 (T=0.30毫米)	SHIM (t: 0.30mm)						
	T85-04000004-6	正档齿轮填隙片 (T=0.40毫米)	SHIM (t: 0.40mm)						
	T85-04000004-7	正档齿轮填隙片 (T=0.50毫米)	SHIM (t: 0.50mm)						
42	KOYO 26882-N	圆锥滚子轴承 26882-N	ROLLER BEARING	1					
43	T60-04000100	正档齿轮组件	FORWARD GEAR ASSY	1					
44	T85-04000507	变档柱塞	PLUNGER, SHIFT	1					
45	T85-04000506	离合器垫块	SPACER, CLUTCH	1					
46	T85-04000502	离合器弹簧	SPRING, CLUTCH	1					
47	T85-04000503	爪型离合器	CLUTCH, DOG	1					
48	T85-04000504	离合器销	PIN, CLUTCH	1					
49	T85-04000505	离合器簧环	RING, CLUTCH	1					
50	T85-04000501	螺旋桨轴	SHAFT, PROPELLER	1					
51	T85-04000500	螺旋桨轴组件	PROPELLER SHAFT ASSY	1					
52	T60-04000601	倒档齿轮	GEAR, REVERSE	1					
53	T85-04000606-1	倒档齿轮填隙片 (T=0.10毫米)	SHIM (t: 0.10mm)						
	T85-04000606-2	倒档齿轮填隙片 (T=0.12毫米)	SHIM (t: 0.12mm)						
	T85-04000606-3	倒档齿轮填隙片 (T=0.15毫米)	SHIM (t: 0.15mm)						
	T85-04000606-4	倒档齿轮填隙片 (T=0.18毫米)	SHIM (t: 0.18mm)						
	T85-04000606-5	倒档齿轮填隙片 (T=0.30毫米)	SHIM (t: 0.30mm)						
	T85-04000606-6	倒档齿轮填隙片 (T=0.40毫米)	SHIM (t: 0.40mm)						
	T85-04000606-7	倒档齿轮填隙片 (T=0.50毫米)	SHIM (t: 0.50mm)						
54	T85-04000604	倒档齿轮垫块	SPACER, REVERSE GEAR	1					
55	NTN 6207 15 C-3	深沟球轴承 6207	BALL BEARING	1					
56	T85-04000600	水下装置壳体盖组件	COVER ASSY, LOWER CASING	1					
57	T85-04000603	水下壳盖O形圈	O-RING, COVER	1					
58	T85-04000601	水下装置壳体盖	COVER, LOWER CASING	1					
59	NTN HK 2526NS	滚针轴承 HK2526	QUILL BEARING	1					
60	T85-04000027	壳盖定位件	PIECE, ORIENTATION	1					
61	T85-04000020	锁止垫圈	WASHER, LOCKED	1					
62	T85-04000021	壳盖螺母	CROWN NUT	1					
63	T60-04000000 (22寸)	水下装置组件 (22寸)	LOWER CASING ASSY (22寸)	1					BM/BW
	T60-04000000W (20寸)	水下装置组件 (20寸)	LOWER CASING ASSY (20寸)	1					FW
64	GB/T97.1-8	平垫圈8	WASHER 8	4					

零部件名称:

水下装置壳体 & 驱动系统 II

PARTS NAME:

LOWER CASING & DRIVE II

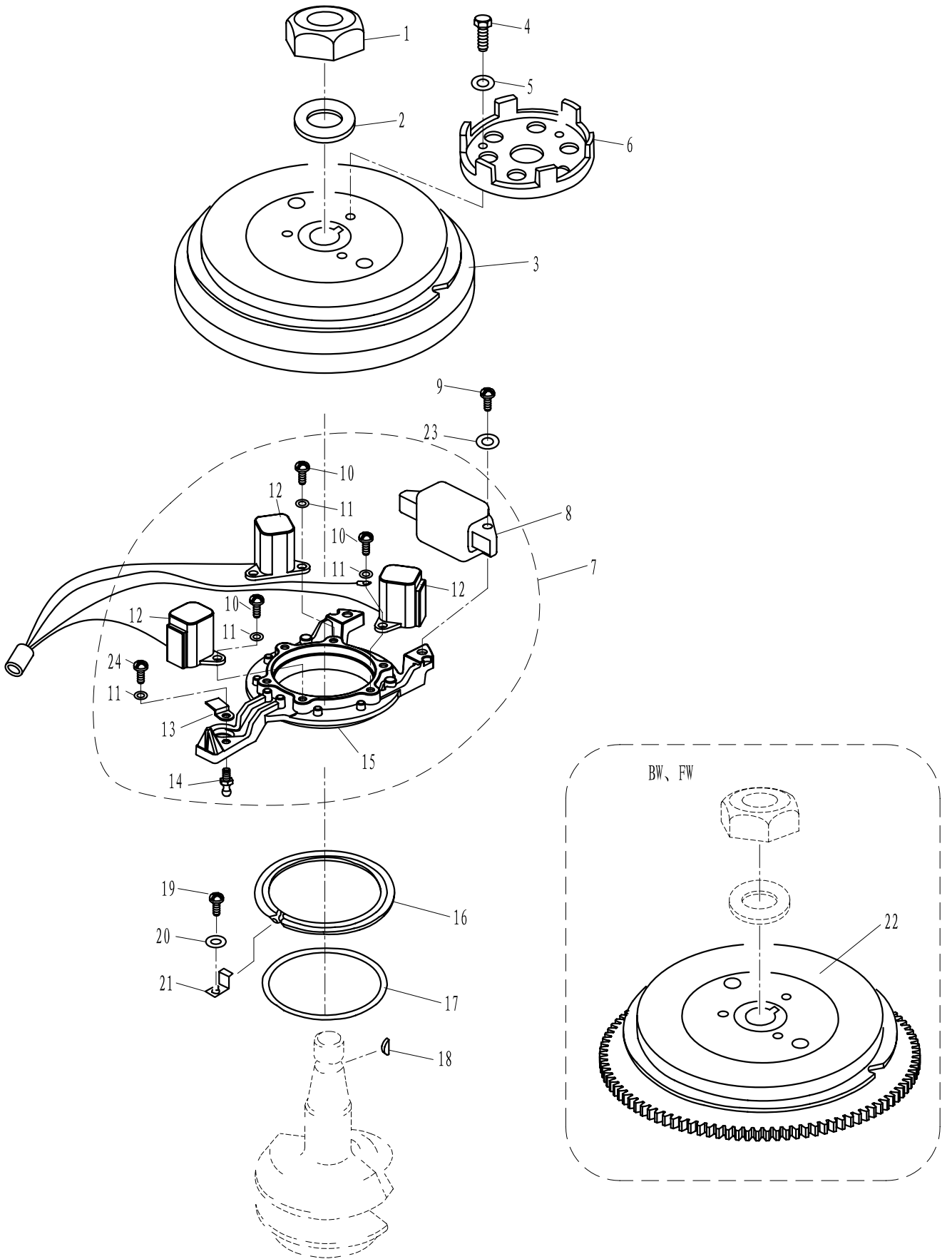


零部件名称:

电气系统 I

PARTS NAME:

ELECTRICAL SYSTEM I

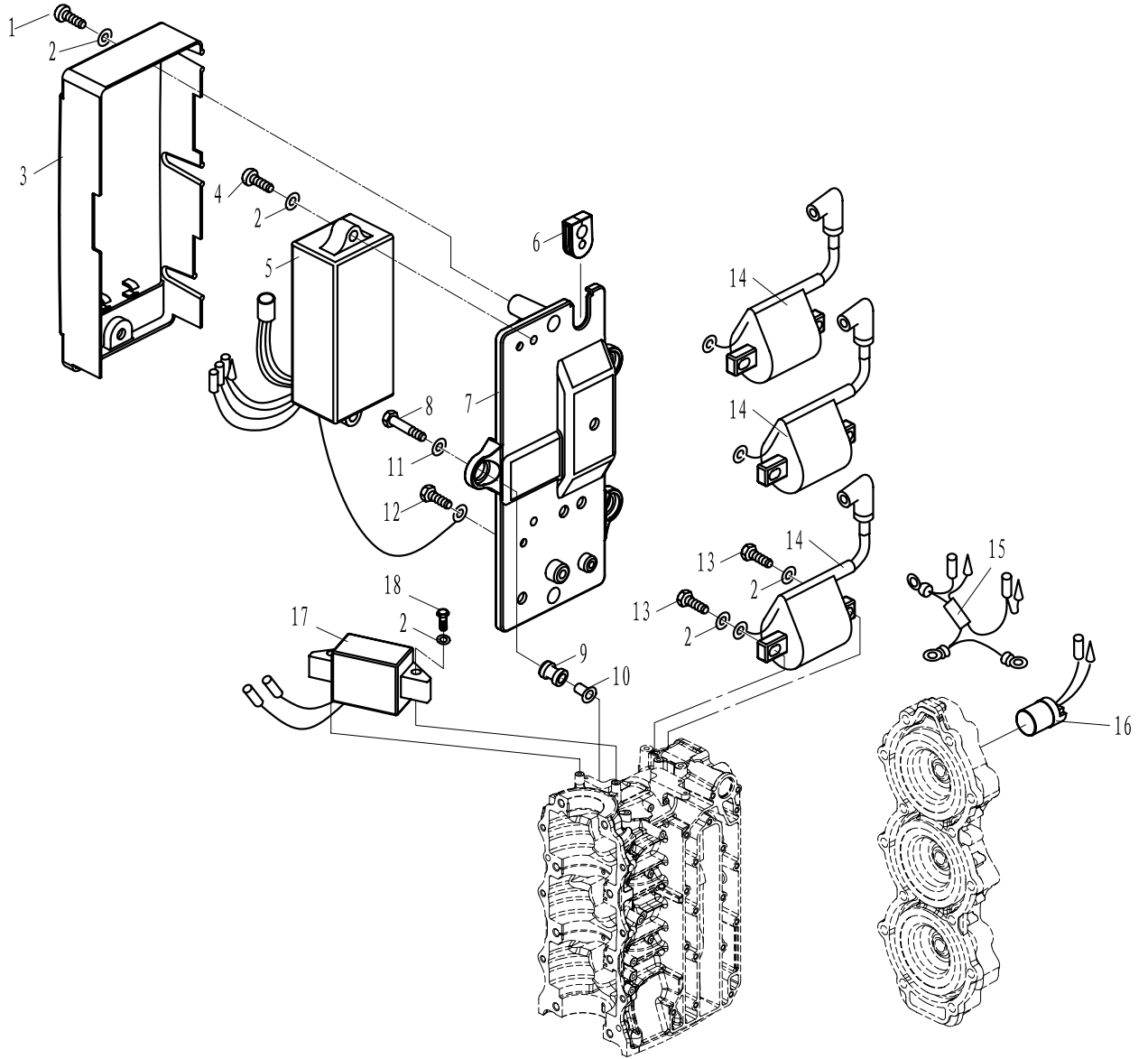


零部件名称:

电气系统 II

PARTS NAME:

ELECTRICAL SYSTEM II

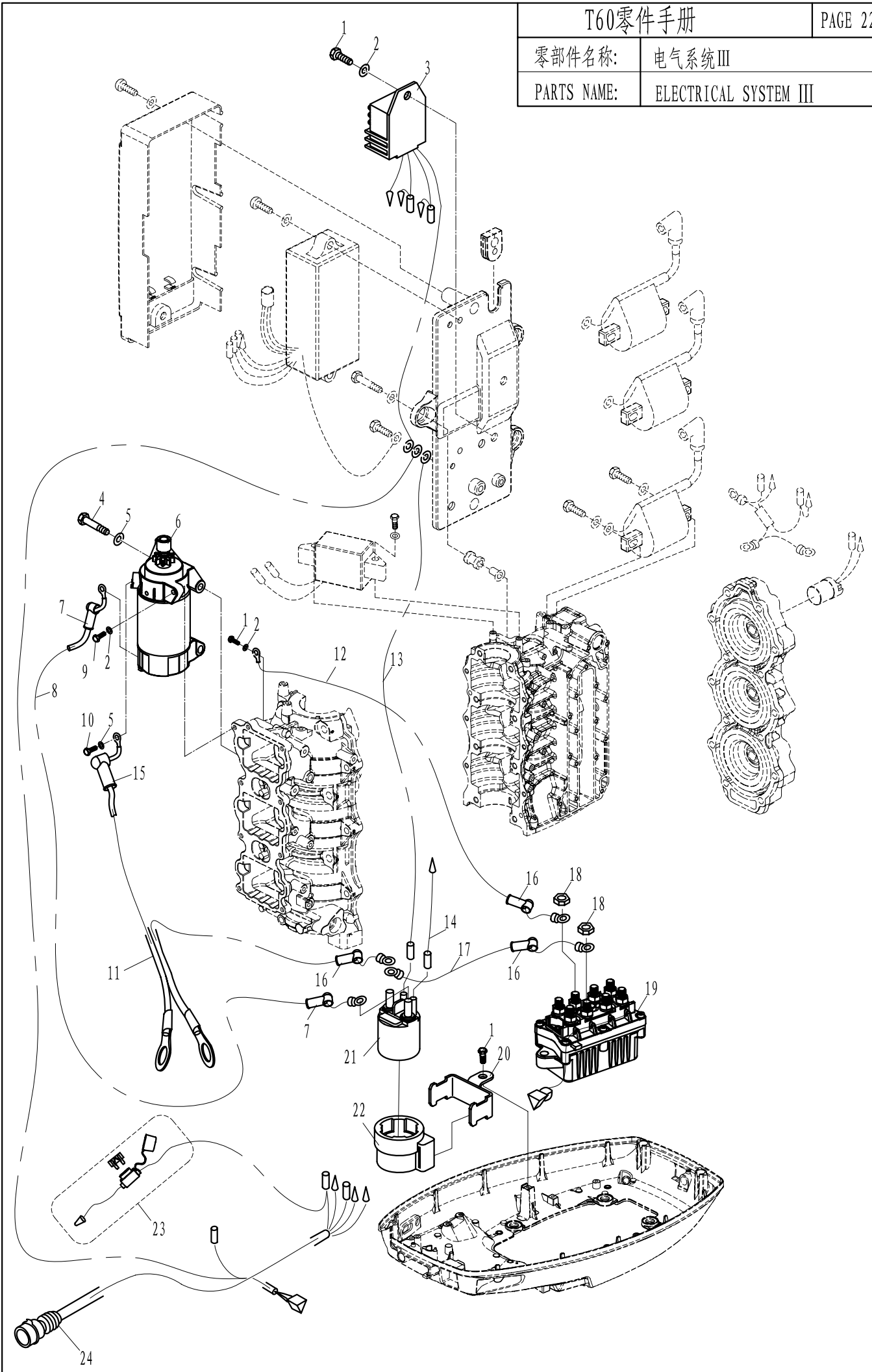


零部件名称:

电气系统III

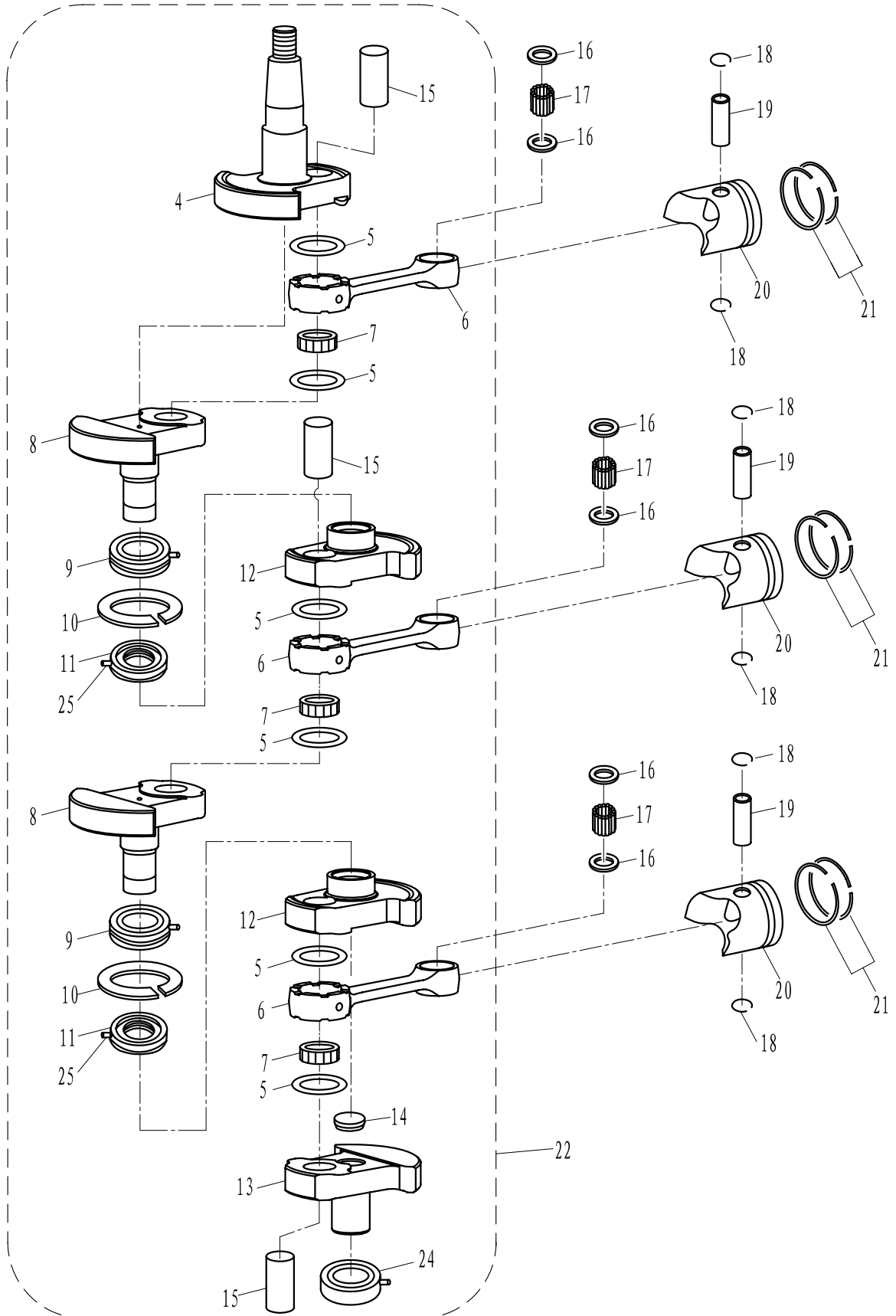
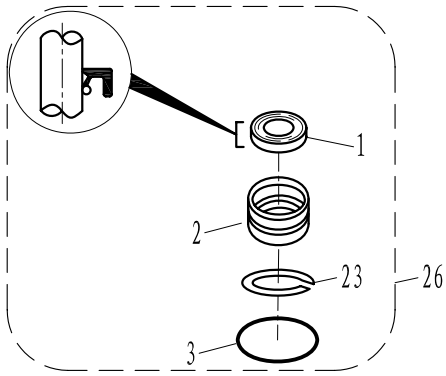
PARTS NAME:

ELECTRICAL SYSTEM III



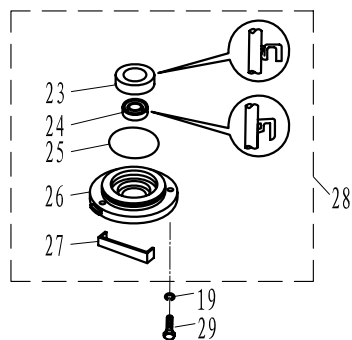
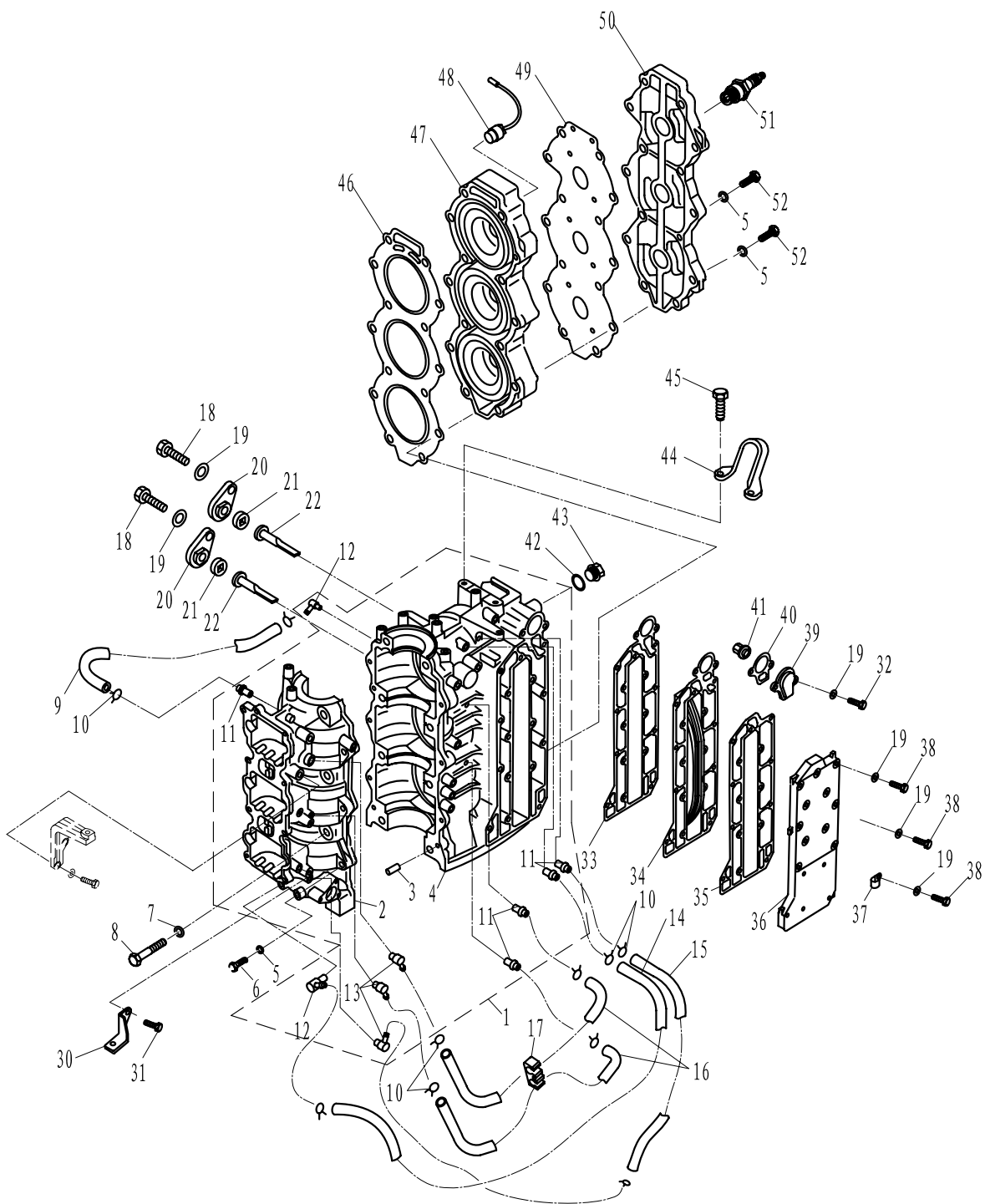
零部件名称: 曲轴&活塞

PARTS NAME: CRANKSHAFT & PISTON

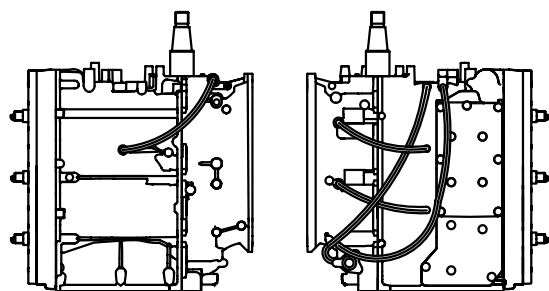


零部件名称: 曲轴箱

PARTS NAME: CRANKCASE



油管连接图



零部件名称:

曲轴箱

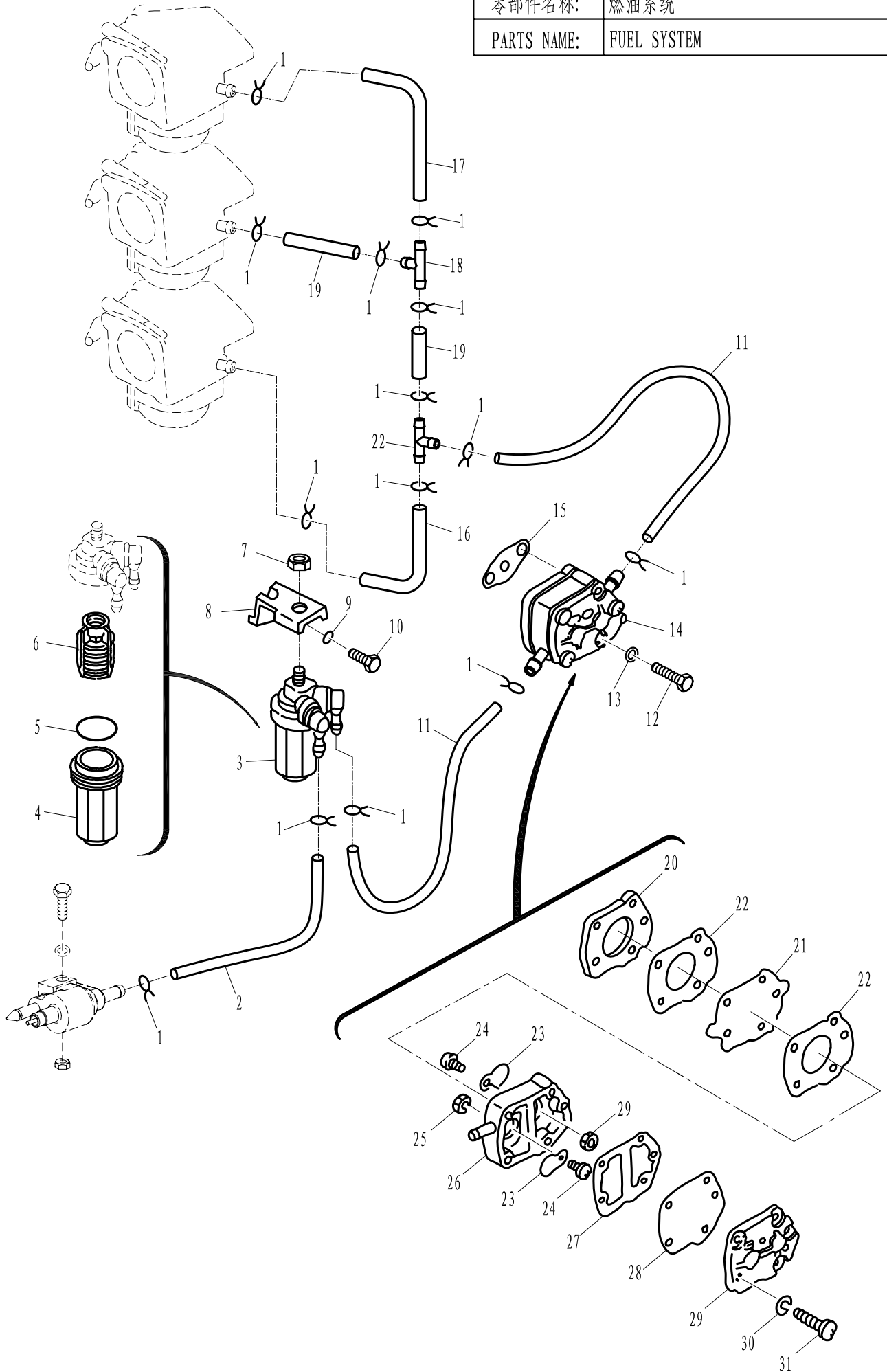
PARTS NAME:

CRANKCASE

SN. 参照号码	PART NO. 零件编号	DESCRIPTION 零件名称(中文)	DESCRIPTION 零件名称(英文)	QTY 数量					REMARKS 备注
1	T60-05010000	机体机座组件	CRANKCASE ASSY	1					
2	T60-05010201	机座	CRANKCASE	1					
3	F25-00000014	定位销Φ8x12	DOWEL PIN Φ8x12	2					
4	T60-05010100	机体组件	CYLINDER CASE	1					
5	GB/T97.1-8	平垫圈 8	WASHER 8	20					
6	T60-05010001	六角螺栓 M8x40	BOLT M8x40	6					
7	GB/T97.1-10	平垫圈 10	WASHER 10	8					
8	T40-05000030	六角螺栓 M10x1.25x55	BOLT M10x1.25x55	8					
9	T60-05000014	回气管A Φ2xΦ7x255	AIR PIPE A Φ2xΦ7x255	1					
10	T15-04000013	油管夹簧 C	CLIP SPRING C, OIL PIPE	8					
11	T15-03010202	出水咀	WATER NIPPLE	4					
12	T85-05010300	回油嘴组件	OIL NIPPLE ASSY	1					
13	T85-05010400	油嘴组件B	OIL NIPPLE ASSY B	3					
14	T60-05000015	回气管B Φ2xΦ7x445	AIR PIPE B Φ2xΦ7x445	1					
15	T60-05000016	回气管C Φ2xΦ7x350	AIR PIPE C Φ2xΦ7x350	1					
16	T60-05000017	回气管D Φ2xΦ7x170	AIR PIPE D Φ2xΦ7x170	2					
17	F25-05000016	尼龙管夹	PIPE CLAMP	1					
18	GB/T5783-M6x16	六角螺栓 M6x16	BOLT M6x16	2					
19	GB/T97.1-6	平垫圈 6	WASHER 6	23					
20	T60-05000009	阳极盖板	ANODE, COVER	2					
21	T60-05000008	阳极密封圈	ANODE, SEAL CIRCLE	2					
22	T60-05000007	阳极	ANODE	2					
23	T85-05020403	油封 30x47x7	OIL SEAL 30x47x7	1					
24	T60-05020202	油封 18x32x5	OIL SEAL 18x32x5	1					
25	T60-05020205	油封壳体O型圈 65.8x2.4	O RING 65.8x2.4	1					
26	T60-05020201	油封壳体	HOUSING, OIL SEAL	1					
27	T60-05020204	油封壳体橡胶条	HOUSING, RUBBER BOND	1					
28	T60-05020200	油封壳体组件	HOUSING ASSY	1					
29	GB/T5783-M6x20	六角螺栓 M6x20	BOLT M6x20	3					
30	T60-05000044	制动器固定架	BRACKET	1					
31	GB/T5783-M6x12	六角螺栓 M6x12	BOLT M6x12	1					
32	GB/T5783-M6x25	六角螺栓 M6x25	BOLT M6x25	4					
33	T60-05000010	排气内盖密封垫	GASKET, INNER COVER	1					
34	T60-05000011	排气内盖	INNER COVER, EXHAUST	1					
35	T60-05000012	排气外盖密封垫	GASKET, OUTER COVER	1					
36	T60-05000013	排气外盖	OUTER COVER, EXHAUST	1					
37	T85-01030006	线卡	CLAMP	1					
38	GB/T5783-M6x35	六角螺栓 M6x35	BOLT M6x35	1					
39	F15-07010021	节温器盖	COVER, THERMOSTAT	16					
40	F15-07010022	节温器盖垫	GASKET, THERMOSTAT	1					
41	T15-04000010	节温器	THERMOSTAT	1					
42	T85-05000003	放油密封垫	GASKET	1					
43	F15-04000002	放油螺塞	PLUG, DRAIN OIL	1					

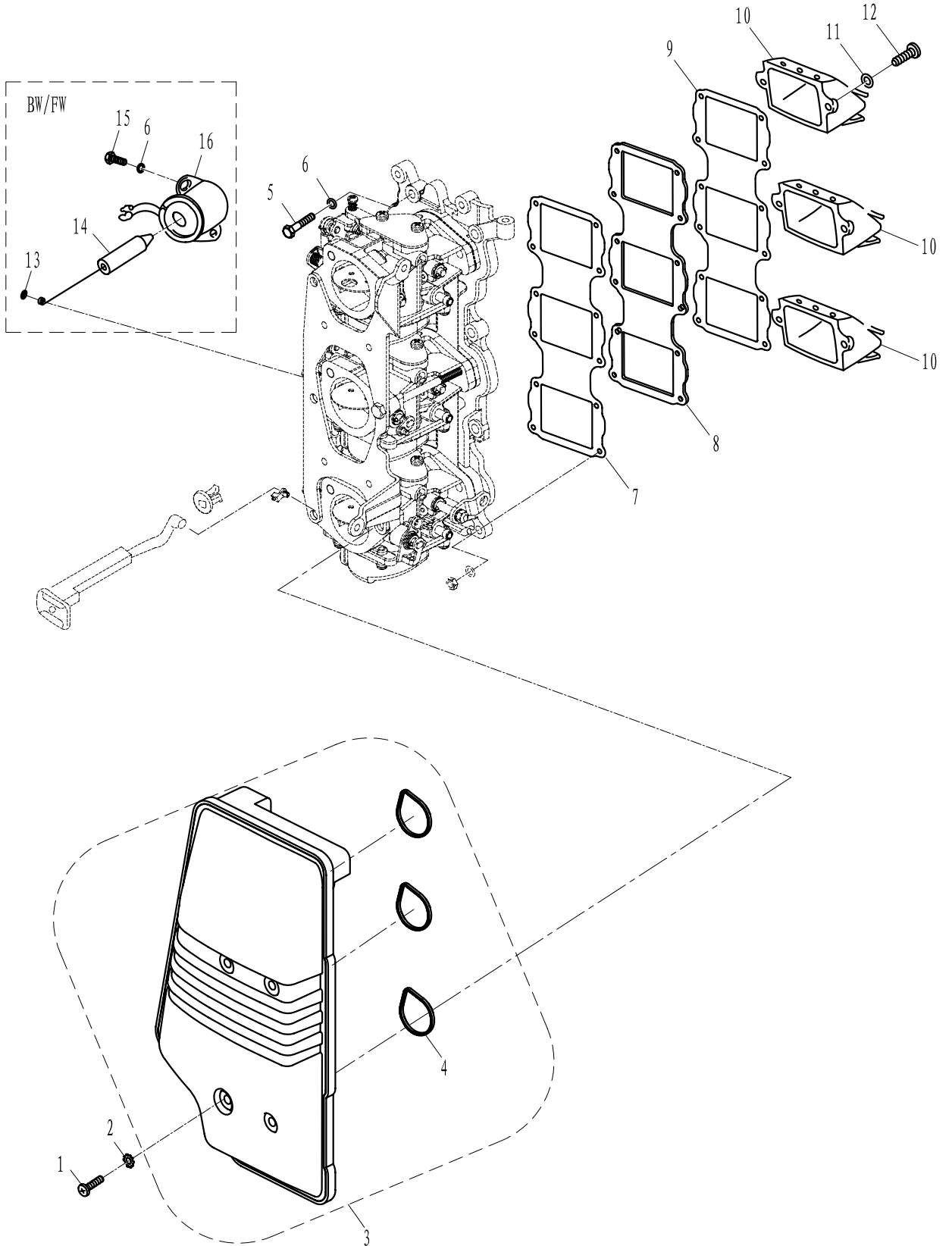
零部件名称: 燃油系统

PARTS NAME: FUEL SYSTEM



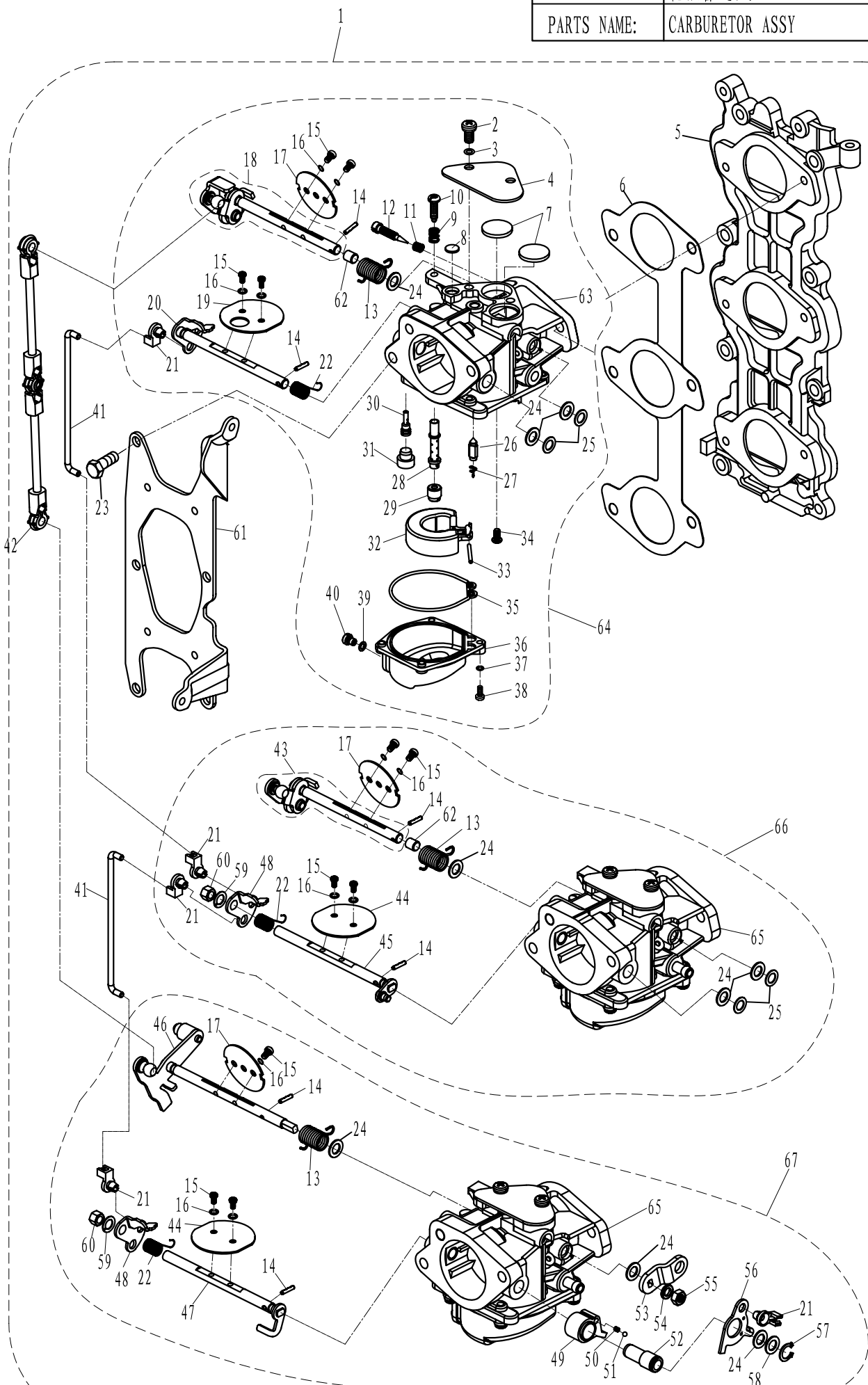
零部件名称: 进气系统

PARTS NAME: INTAKE SYSTEM



零部件名称: 化油器总成

PARTS NAME: CARBURETOR ASSY



零部件名称:

化油器总成

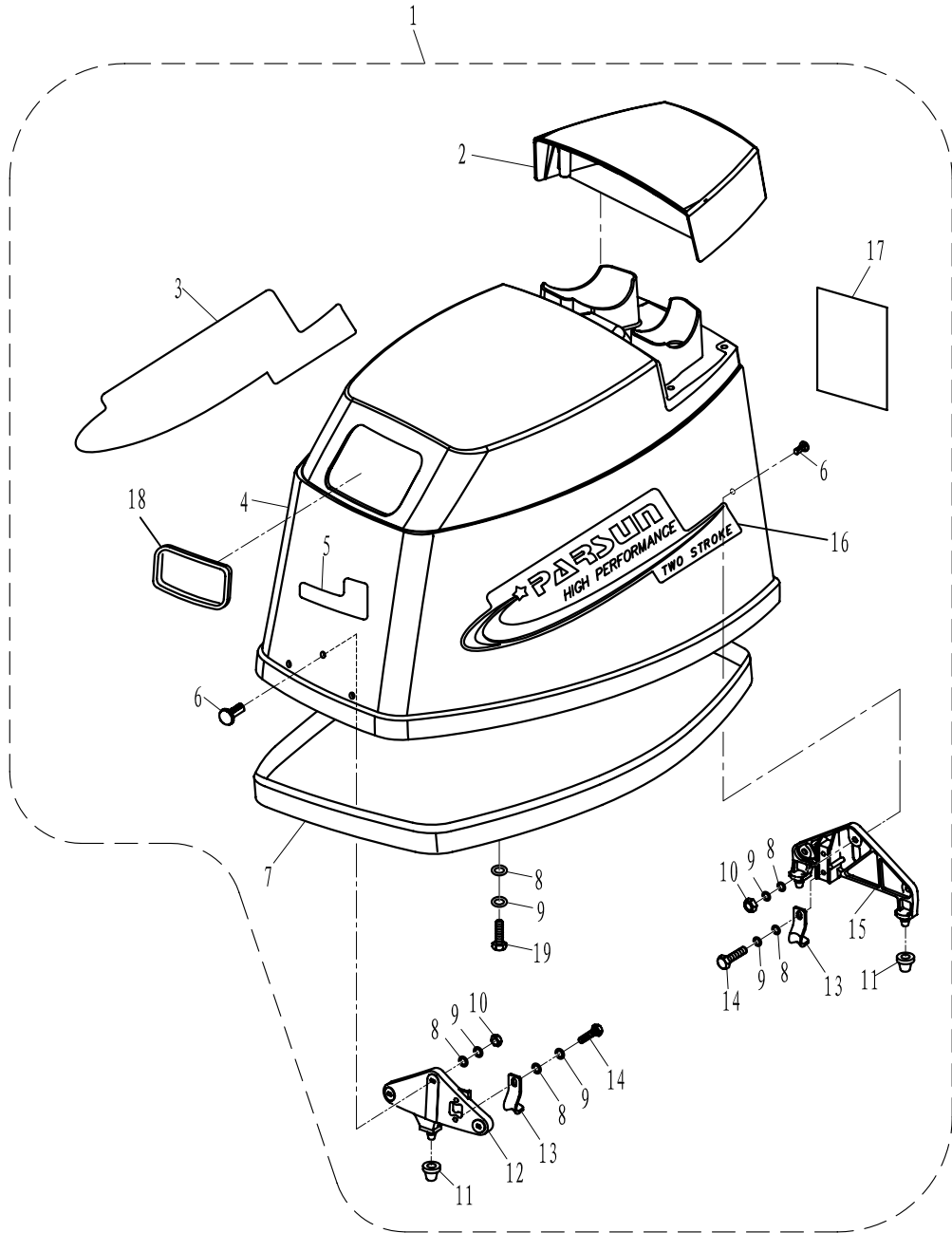
PARTS NAME:

CARBURETOR ASSY

SN. 参照号码	PART NO. 零件编号	DESCRIPTION 零件名称(中文)	DESCRIPTION 零件名称(英文)	QTY 数量					REMARKS 备注
1	T60-05040200	化油器总成	CARBURETOR ASSY	1					
2	GB/T818-M5x10	十字槽盘头螺钉 M5x10	SCREW M5x10	6					
3	GB/T93-5	弹性垫圈 5	SPRING-WASHER 5	7					
4	T60-05040222	面板	PLATE	3					
5	T60-05040201	阀座固定板	BRACKET VALVE SEAT	1					
6	T60-05040202	固定板密封垫	GASKET BRACKET	1					
7	T60-05040220	橡胶垫片A	RUBBER WASHER A	6					
8	T60-05040221	橡胶垫片B	RUBBER WASHER B	3					
9	T60-05040214	止动螺钉弹簧	STOP, AIR ADJUSTING	1					
10	T60-05040213	油门止动螺钉	THORTTEL	1					
11	T60-05040219	怠速螺钉弹簧	SPRING, AIR ADJUSTING	3					
12	T60-05040218	怠速螺钉	SCREW, AIR ADJUSTING	3					
13	T60-05040209	油门摆杆扭簧	SPRING, SWING LINK	3					
14	GB/T879.2-2x10	轻型直槽弹性圆柱销 2x10	PIN 2x10	6					
15	GB/T818-M3x6	十字槽盘头螺钉 M3x6	BOLT M3x6	12					
16	GB/T93-3	弹性垫圈 3	SPRING-WASHER 3	12					
17	T60-05040212	油门挡板	APRON, ACCELERATOR	3					
18	T60-05040208	油门摆杆A组件	ACCELERATOR BAR "A" ASSY	1					
19	T60-05040217	阻风门挡板 A	APRON A, AIR CHOKE	1					
20	T60-05040215	阻风门摆杆A组件	SWING LINK "A" ASSY, AIR CHOKE	1					
21	F15-07000016	油门控制器连杆接头	TIE-IN, CONNECTING ROD	5					
22	T60-05040216	阻风门扭簧	SPRING, AIR CHOKE	3					
23	GB/T5782-M6x95	六角螺栓 M6x95	BOLT M6x95	6					
24	T60-05040211	尼龙垫圈 6	NYLON WASHER 6	9					
25	GB/T97.1-6	平垫圈 6	WASHER 6	6					
26	T60-05040223	针阀	NEEDLE VALVE	3					
27	T60-05040224	针阀弹簧	SPRING, NEEDLE VALVE	3					
28	T60-05040227	主喷管	MIAN NOZZLE	3					
29	T60-05040228	主量孔	MIAN JET	3					
30	T60-05040225	怠速量孔	JET, AIR ADJUSTING	3					
31	T60-05040226	胶帽	RUBBER CAP	3					
32	T60-05040229	浮子	FLOAT	3					
33	T60-05040230	浮子销	PIN, FLOAT	3					
34	GB/T818-M4x8	十字槽盘头螺钉 M4x8	SCREW M4x8	3					
35	T60-05040231	油杯密封圈	SEAL, OIL CUP	3					
36	T60-05040232	油杯	OIL CUP	3					
37	GB/T93-4	弹性垫圈 4	SPRING-WASHER 4	12					
38	GB/T818-M4x14	十字槽盘头螺钉 M4x14	SCREW M4x14	12					
39	T60-05040233	放油螺塞垫圈	GASKET, DRAIN SCREW	3					
40	T60-05040234	放油螺塞	DRAIN SCREW	3					
41	T60-05040250	阻风门连杆	CONNECTING ROD, AIR CHOKE	2					
42	T60-05040249	油门连杆	CONNECTING ROD, ACCLERATOR	1					
43	T60-05040238	油门摆杆B组件	ACCELERATOR BAR "B" ASSY	1					

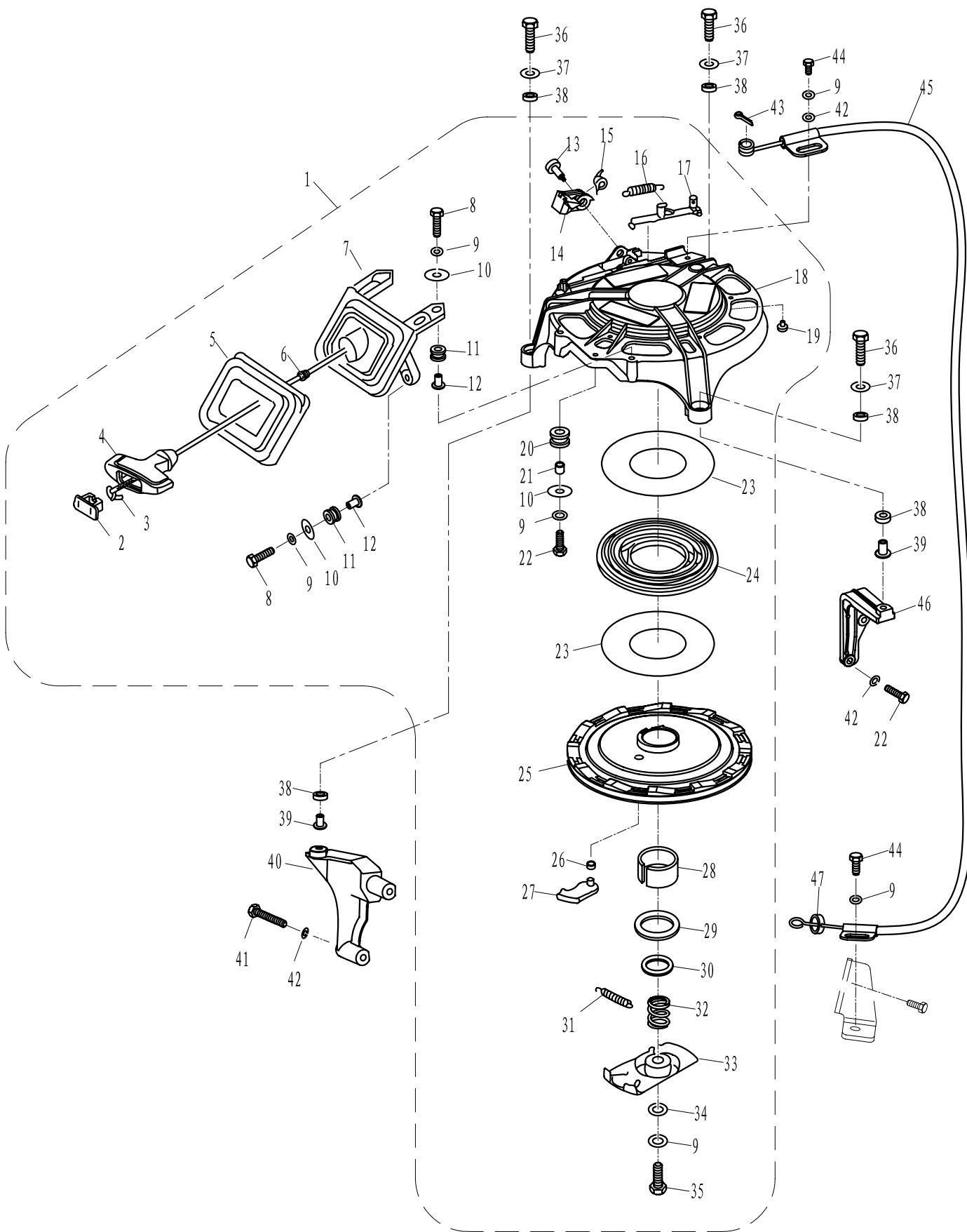
零部件名称: 顶罩组件

PARTS NAME: TOP COWLING ASSY



零部件名称: 启动器 (手操)

PARTS NAME: STARTER (MANUAL CONTROL)



零部件名称:

启动器(手操)

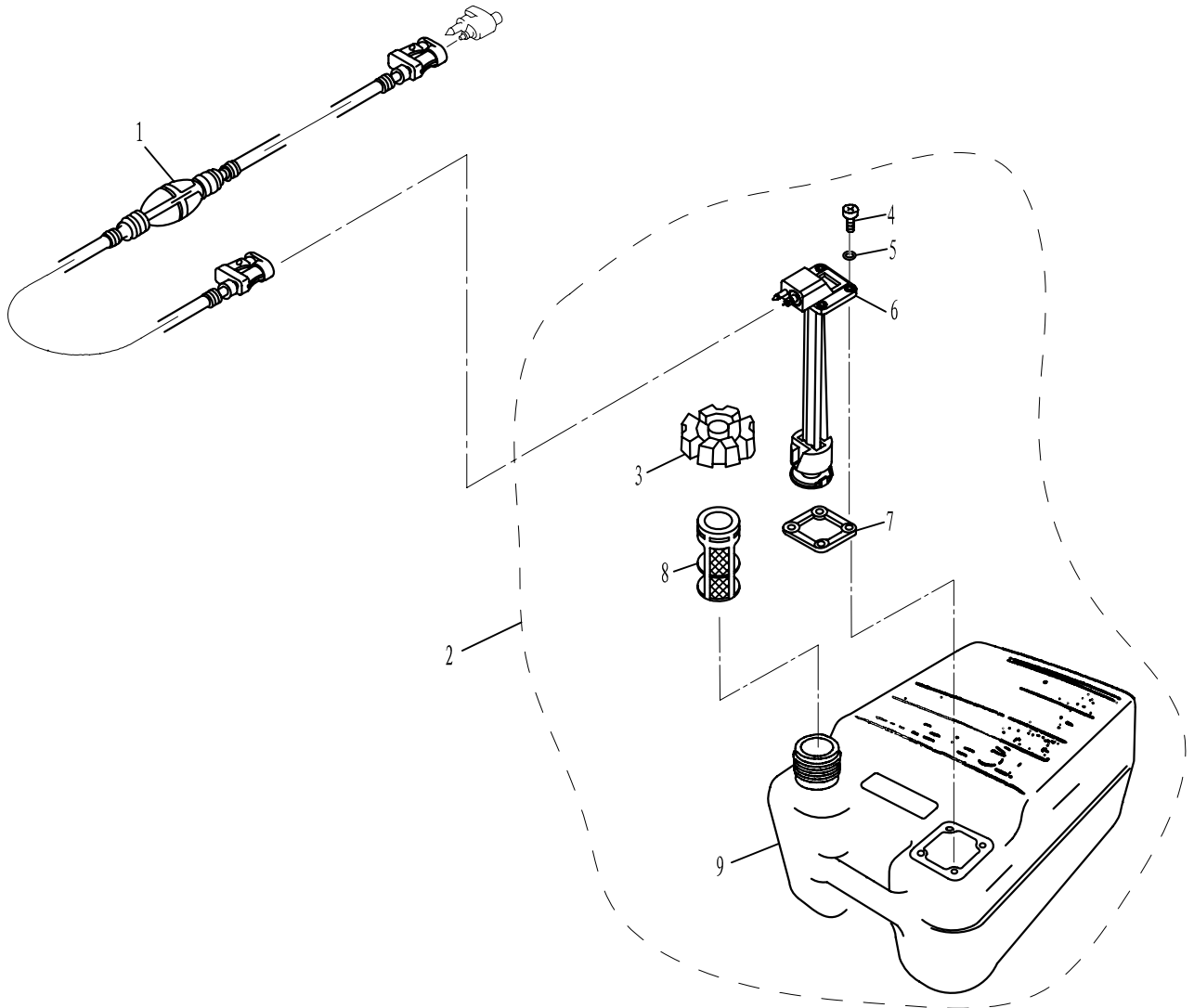
PARTS NAME:

STARTER (MANUAL CONTROL)

SN. 参照号码	PART NO. 零件编号	DESCRIPTION 零件名称(中文)	DESCRIPTION 零件名称(英文)	QTY 数量					REMARKS 备注
1	T60-05050000	启动器组件	STARTER ASSY	1					
2	F4-04130102	起动手柄盖	COVER, HANDLE	1					
3	T85-05070023	启动绳(Φ5.5x2.4米)	START LINE	1					
4	F25-05160501	起动手柄	HANDLE, STARTER	1					
5	T60-05050002	启动器橡胶圈	RUBBER SEAL, STARTER	1					
6	F25-05160021	手柄减震圈	DAMPING	1					
7	T60-05050001	启动器连接件	CONNECT PIECE, STARTER	1					
8	GB/T5783-M6x30	六角螺栓 M6x30	BOLT M6x30	4					
9	GB/T93-6	弹性垫圈6	SPRING WASHER 6	7					
10	GB/T96-6	大垫圈6	BIG WASHER 6	5					
11	T40-05000029	点火器减震圈	WASHER, DAMPING	4					
12	T40-05000028	点火器垫管	TUBE, DAMPING	4					
13	T85-05070008	卡瓣螺钉	BOLT, PAWL	1					
14	T85-05070006	制动器卡瓣	PAWL, ARRESTER	1					
15	T85-05070007	制动器扭簧	WRING SPRING, ARRESTER	1					
16	T85-05070010	制动器拉簧	TENSE SPRING, ARRESTER	1					
17	T85-05070009	制动器滑板	SLIP PLATE, ARRESTER	1					
18	T85-05070001	启动器外壳	CASE, STARTER	1					
19	T85-05070002	启动器减磨销	PIN, STARTER	5					
20	T40-05110002	启动器滑轮	BLOCK, STARTER	1					
21	T40-05110003	滑轮衬管	TUBE, BLOCK	1					
22	GB/T5783-M6x25	六角螺栓 M6x25	BOLT M6x25	3					
23	T85-05070011	减磨片	ANTIFRICTION WASHER	2					
24	T85-05070012	涡形弹簧	SPRING, VOLUTE	1					
25	T85-05070014	启动轮	WHEEL, START-UP	1					
26	T85-05070016	卡瓣衬圈	WASHER, PAWL	1					
27	T85-05070015	启动卡瓣组件	DRIVEN PAWL ASSY	1					
28	T85-05070013	启动器衬套	BUSH, STARTER	1					
29	T85-05070017	启动轮限位板	LIMITED PLATE, START WHEEL	1					
30	T85-05070018	限位板卡簧	SPRING, LIMITED PLATE	1					
31	T85-05070020	压板拉簧	TENSE SPRING, PLATE	1					
32	T85-05070019	压板弹簧	SPRING, PLATE	1					
33	T85-05070021	压板	PLATE	1					
34	T85-05070022	压板垫片	GASKET, PLATE	1					
35	GB/T5783-M6x16	六角螺栓 M6x16	BOLT M6x16	1					
36	GB/T5783-M8x30	六角螺栓 M8x30	BOLT M8x30	3					
37	GB/T96-8	大垫圈8	BIG WASHER 8	3					
38	T40-05000027	启动器减震器	DAMPING WASHER, STARTER	6					
39	T36-04050006	启动器垫管	TUBE, STARTER	3					
40	T60-05050043	启动器右支架	RIGHT BRACKET, STARTER	1					
41	GB/T5783-M6x55	六角螺栓 M6x55	BOLT M6x55	2					
42	GB/T97.1-6	平垫圈6	WASHER 6	5					
43	GB/T91-Ø1.6x12	开口销Ø1.6x12	COTTER PIN Ø1.6x12	1					

零部件名称: 燃油箱

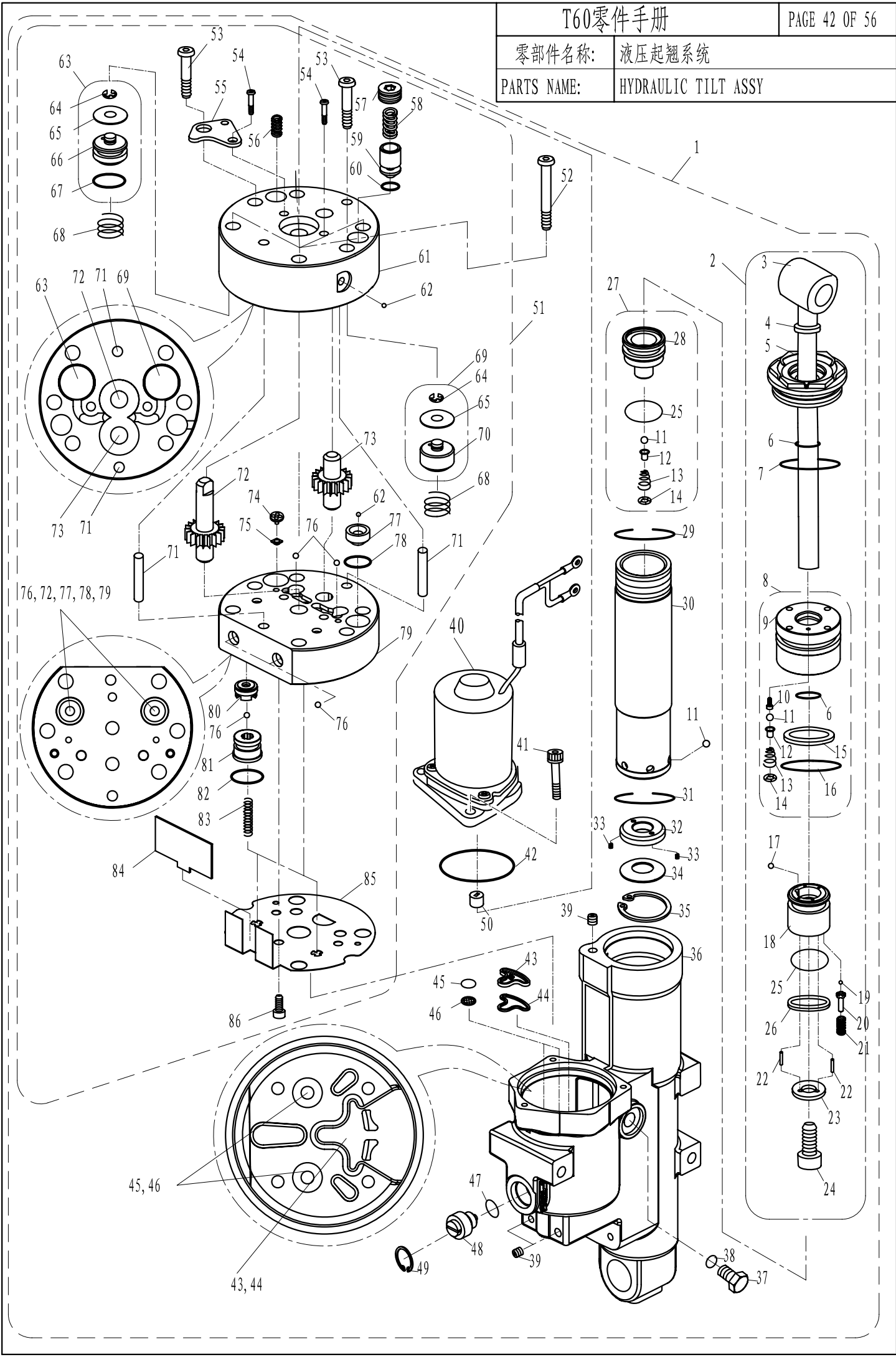
PARTS NAME: FUEL TANK



SN. 参照号码	PART NO. 零件编号	DESCRIPTION 零件名称(中文)	DESCRIPTION 零件名称(英文)	QTY 数量					REMARKS 备注
1	F15-09000000	油管总成	OIL TUBE ASSY	1					
2	F15-10000000	油箱组件	FUEL TANK ASSY	1					
3	F15-10010000	油箱盖组件	COVER ASSY, FUEL TANK	1					
4	GB/T818-M5x16	十字槽盘头螺钉M5x16	SCREW , PAN HEAD M5x16	4					
5	GB/T97.1-5	平垫圈5	WASHER 5	4					
6	F15-10020000	油量表总成	OLEOMETER ASSY	1					
7	F15-10000003	衬垫	GASKET	1					
8	F15-10000002	油箱滤网	STRAINER	1					
9	F15-10000001	油箱本体	FUEL TANK	1					

零部件名称: 液压起翘系统

PARTS NAME: HYDRAULIC TILT ASSY



零部件名称:

液压起翘系统

PARTS NAME:

POWER TRIM&TILT ASSY

SN. 参照号码	PART NO. 零件编号	DESCRIPTION 零件名称(中文)	DESCRIPTION 零件名称(英文)	QTY 数量				REMARKS 备注
1	F60-0600000	液压起翘组件	HYDRAULIC TILT ASSY	1				
2	F60-0601000	活塞组件	PISTON ASSY	1				
3	F60-06010100	活塞推杆组件	SHAFT OF PISTON ASSY	1				
4	F60-06010003	推杆油封 $\phi 17 \times \phi 25 \times 5$	SEAL, OIL $\phi 17 \times \phi 25 \times 5$	1				
5	F60-06010002	油缸螺母	SCREW	1				
6	JASOF404 24-017	推杆O形圈 $\phi 16.8 \times \phi 2.65$	O-RING $\phi 16.8 \times \phi 2.65$	2				
7	JIS FG46	螺母O形圈 $\phi 45.5 \times \phi 2$	O-RING $\phi 45.5 \times \phi 2$	1				
8	F60-06010200	油缸盖组件	COVER ASSY	1				
9	F60-06010201	油缸盖	COVER	1				
10	GB/T70.1-M1.6x8	内六角螺钉M1.6x8 (发黑)	BOLT M1.6x8 (BLACK)	1				
11	F60-06010204	轴承钢珠3/16	BALL 3/16	8				
12	GB/T876-3x3	空心铆钉3x3	HOLLOW RIVET 3x3	2				
13	F60-06010203	单向阀弹簧	SPRING	2				
14	T85-06010403	防松止圈	THRUST WASHER	2				
15	JIS B 2407-P40T2	油缸盖挡圈P40T2	COVER, BACK UP	1				
16	JIS B 2401-P40	O形圈 $\phi 39.7 \times \phi 3.5$	O-RING $\phi 39.7 \times \phi 3.5$	1				
17	T40-10000001	轴承钢珠1/8	BALL 1/8	1				
18	F60-06010004	推杆活塞	PISTON	1				
19	F60-06010006	轴承钢珠3/32	BALL 3/32	4				
20	F60-06010007	钢珠托架	TRAY, STEEL BALL	4				
21	F60-06010008	活塞弹簧	SPRING	4				
22	F60-06010009	滚针 $\phi 2 \times 6.8$	ROLLER $\phi 2 \times 6.8$	2				
23	F60-06010010	压板垫圈	WASHER	1				
24	GB/T70.1-M10x1.25x40	内六角螺栓M10x1.25x40 (发黑)	SCREW M10x1.25x40 (BLACK)	1				
25	JIS B 2401-P24	自由活塞O形圈 $\phi 23.7 \times \phi 3.5$	O-RING $\phi 23.7 \times \phi 3.5$	2				
26	JIS B 2407-P24T2	活塞挡圈P24T2	PISTON, BACK UP	1				
27	F60-06000200	自由活塞组件	FREE PISTON ASSY	1				
28	F60-06000201	自由活塞	FREE PISTON	1				
29	F60-06000102	钢丝挡圈30	RING, SNAP-ROLL	1				
30	F60-06000101	活塞油缸	PISTON OIL BOX	1				
31	F60-06000011	钢丝挡圈32	RING, SNAP-ROLL	1				
32	F60-06000002	油缸底座	BOTTOM, OIL BOX	1				
33	F60-06000003	底座弹簧	SPRING	2				
34	F60-06000004	底座挡板	WASHER	2				
35	GB/T893.1-32	孔用弹性挡圈32 (发黑)	RING, SNAP CIRCLIP 32 (BLACK)	1				
36	F60-06000001	液压缸体	HOUSING	1				
37	T85-06010009	放油螺钉	SCREW	1				
38	GB/T3452.1- $\phi 9 \times \phi 2.2$	O形圈 $\phi 9 \times \phi 2.2$	O-RING $\phi 9 \times \phi 2.2$	1				
39	T85-06010002	气缸堵塞1/16	BLOCK, CYLINDER	3				
40	F60-06030000	起翘电机	MOTOR ASSY	1				
41	GB/T70.1-M5x20	内六角螺钉M5x20 (发黑)	SCREW M5x20 (BLACK)	3				
42	JASO F404 31-065	O形圈 $\phi 64.4 \times \phi 3.1$	O-RING $\phi 64.4 \times \phi 3.1$	1				
43	F60-06000008	过滤器B	FILTER B	1				

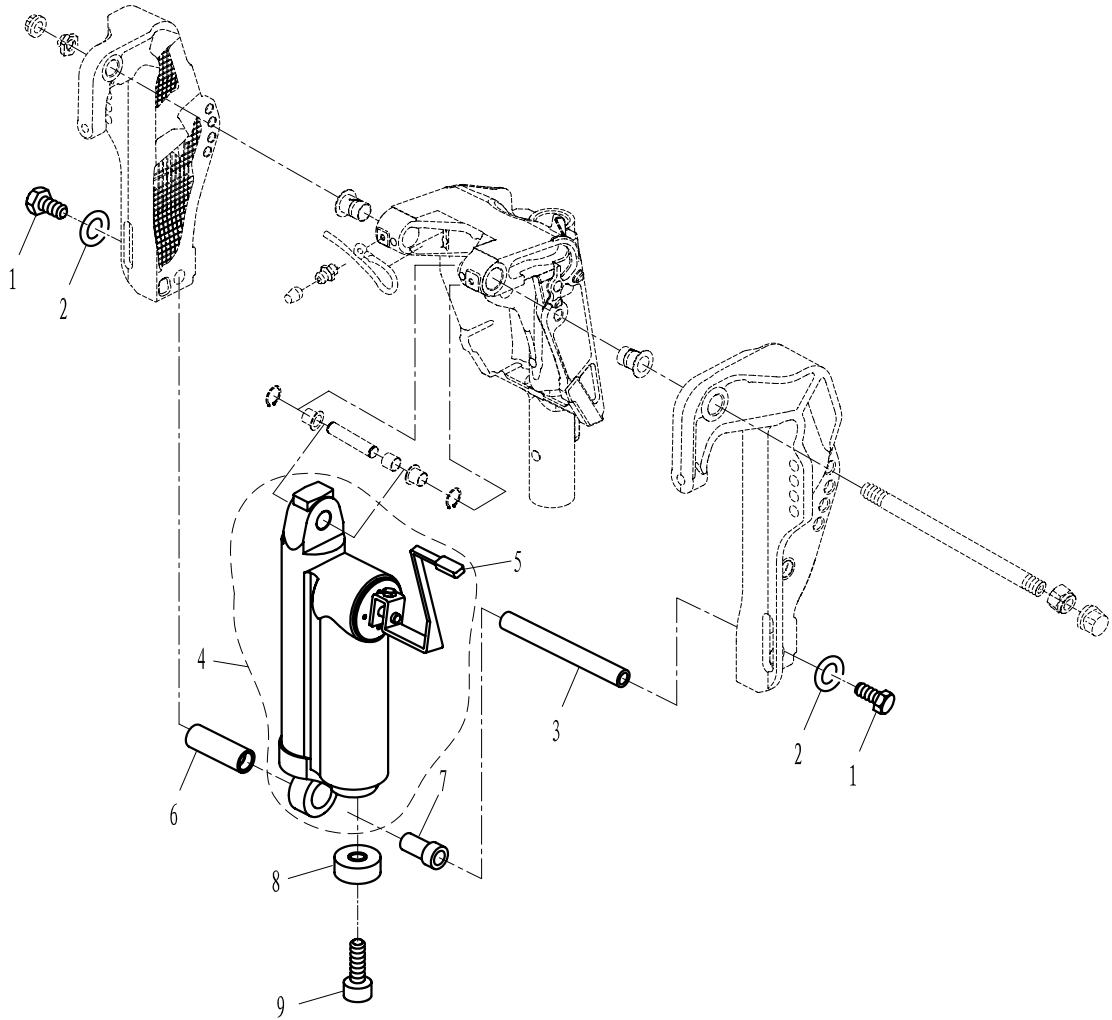
零部件名称: 液压起翘系统

PARTS NAME: POWER TRIM&TILT ASSY

SN. 参照号码	PART NO. 零件编号	DESCRIPTION 零件名称(中文)	DESCRIPTION 零件名称(英文)	QTY 数量				REMARKS 备注
44	F60-06000009	过滤器B垫板	WASHER, FIFTER B	1				
45	F60-06000007	过滤器O形圈 $\phi 7.6 \times \phi 1.4$	O-RING $\phi 7.6 \times \phi 1.4$	2				
46	F60-06000006	过滤器A	FIFTER A	2				
47	T85-06020015	手控阀O形圈 $\phi 17.5 \times \phi 2.65$	O-RING $\phi 17.5 \times \phi 2.65$	1				
48	F60-06000005	手控阀本体	SCREW, MANUAL RELEASE	1				
49	GB/T893.1-20	孔用弹性挡圈20	RING, SNAP-ROLL	1				
50	F60-06000010	齿轮泵连接器	MOTOR LINK	1				
51	F60-06020000	齿轮泵组件	MOTOR ASSY	1				
52	GB/T70.1-M5x45	内六角螺钉M5x45(发黑)	SCREW M5x45(BLACK)	4				
53	GB/T70.1-M5x30	内六角螺钉M5x30(发黑)	SCREW M5x30(BLACK)	2				
54	GB/T70.1-M3x25	内六角螺钉M3x25(发黑)	SCREW M3x25(BLACK)	2				
55	F60-06020015	安全阀弹簧压板	VALVE PLATE	1				
56	F60-06020014	安全阀弹簧	SPRING	1				
57	F60-06020009	溢流阀螺塞	SCREW, VALVE LOCK	1				
58	F60-06020008	溢流阀弹簧	SPRING	1				
59	F60-06020006	溢流阀芯	BODY, RELIEF VALVE	1				
60	F60-06020007	溢流阀芯O形圈 $\phi 4.5 \times \phi 1.5$	O-RING $\phi 4.5 \times \phi 1.5$	1				
61	F60-06020001	齿轮泵体	GEAR PUMP BODY	1				
62	GB308-3	轴承钢珠3	BALL 3	2				
63	F60-06020100	滑梭活塞A组件	PISTON, SHUTTLE ASSY A	1				
64	GB/T896-3	开口挡圈3(发黑)	RING, SNAP CIRCLIP 3(BLACK)	2				
65	F60-06020102	密封垫片	WASHER	2				
66	F60-06020101	滑梭活塞A	PISTON, SHUTTLE A	1				
67	F60-06020103	滑梭活塞O型圈 $\phi 8.6 \times \phi 1.5$	O-RING $\phi 8.6 \times \phi 1.5$	1				
68	F60-06020004	滑梭活塞弹簧	SPRING	2				
69	F60-06020200	滑梭活塞B组件	PISTON, SHUTTLE ASSY B	1				
70	F60-06020201	滑梭活塞B	PISTON, SHUTTLE B	1				
71	F60-06020005	滚针 $\phi 4 \times 25.8$	ROLLER $\phi 4 \times 25.8$	2				
72	F60-06020002	齿轮A	GEAR A	1				
73	F60-06020003	齿轮B	GEAR B	1				
74	T85-06010205	阀门支座	PIN, VALVULA SUPORTE	1				
75	T85-06010204	阀门密封件	SEAL, VALVE	1				
76	GB308-4	轴承钢珠4	BALL 4	6				
77	F60-06020013	溢流阀座	SEAT, RELIEF VALVE	1				
78	F60-06020012	溢流阀座O形圈 $\phi 5.5 \times \phi 1.5$	O-RING $\phi 5.5 \times \phi 1.5$	1				
79	F60-06020010	齿轮泵盖	GEAR PUMP COVER	1				
80	F60-06020011	单向阀座	SEAT, UNILATERAL VALVE	2				
81	F60-06020017	单向阀芯	BODY, UNILATERAL VALVE	2				
82	F60-06020018	单向阀O型圈 $\phi 7.5 \times \phi 1.5$	O-RING $\phi 7.5 \times \phi 1.5$	2				
83	F60-06020019	压缩弹簧	SPRING	2				
84	F60-06020020	手控阀压板	PLATE	1				
85	F60-06020021	阀门密封板	SEAT, PLATE	1				
86	GB/T70.1-M3x5	内六角螺钉M3x5(发黑)	SCREW M3x5(BLACK)	1				

零件名称: 手动起翘 (手操)

PARTS NAME: MANUAL TILT (MANUAL CONTROL)



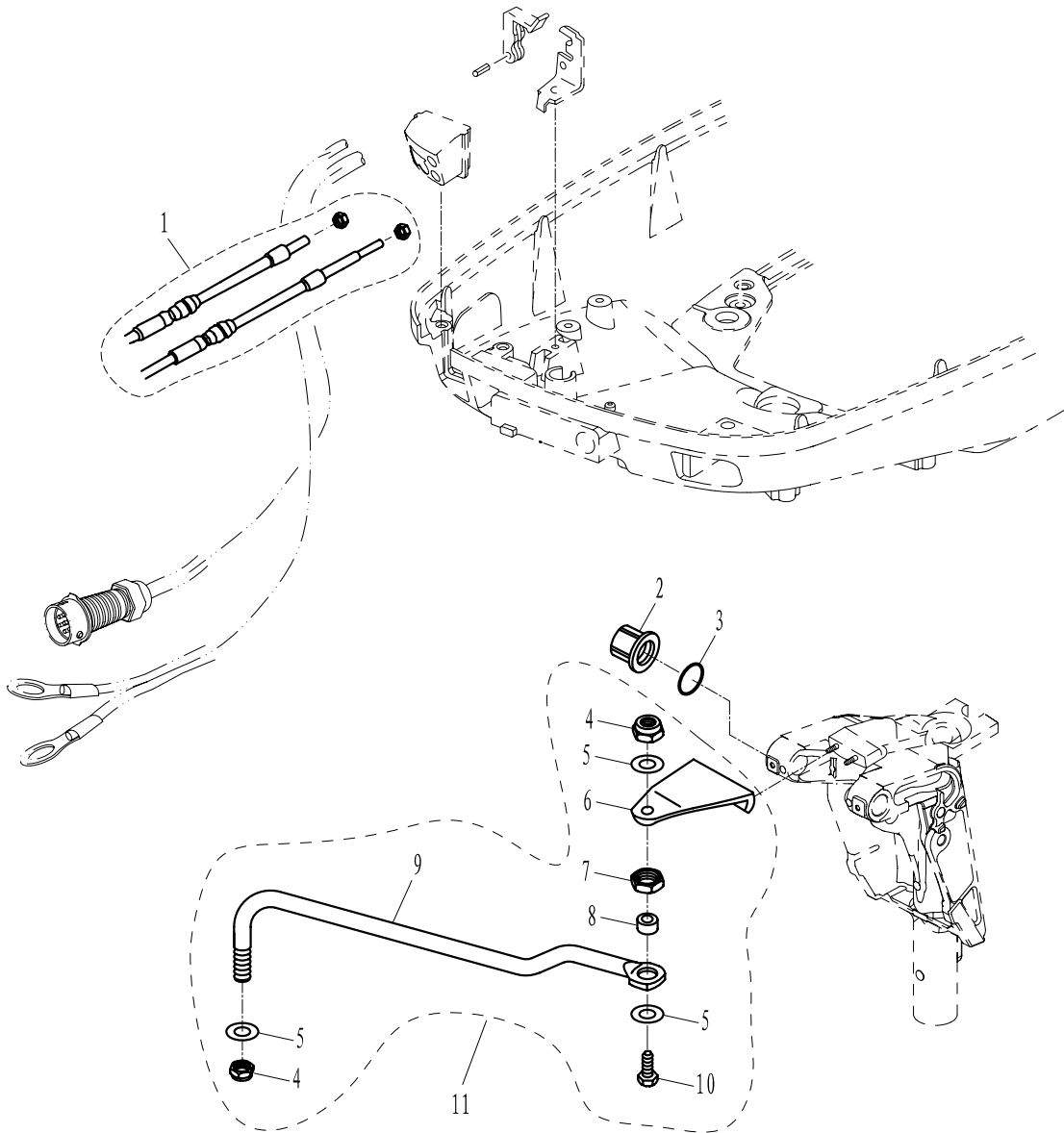
SN. 参照号码	PART NO. 零件编号	DESCRIPTION 零件名称 (中文)	DESCRIPTION 零件名称 (英文)	QTY 数量					REMARKS 备注
1	GB/T5783-M10x1.25x30	六角螺栓M10x1.25x30	BOLT M10x1.25x30	2					
2	F60-00000015	厚垫圈10	WASHER 10	2					
3	F60-00000011	液压起翘定位轴	PIN	1					
4	T60-01020000	手动气缸组件	TRIM & TILT ASSY	1					
5	T60-01020001D	氮气缸手柄	HANDEL	1					
6	F60-00000012	定位轴衬套A	BUSH A	1					
7	F60-00000013	定位轴衬套B	BUSH B	1					
8	F40-00000006D	氮气缸阳极	ANODE	1					
9	GB/T820-M6x25	十字槽半沉头螺钉 M6x25	SCREW M6x25	1					

零部件名称:

转向连杆组件

PARTS NAME:

LINK ROD ASSY



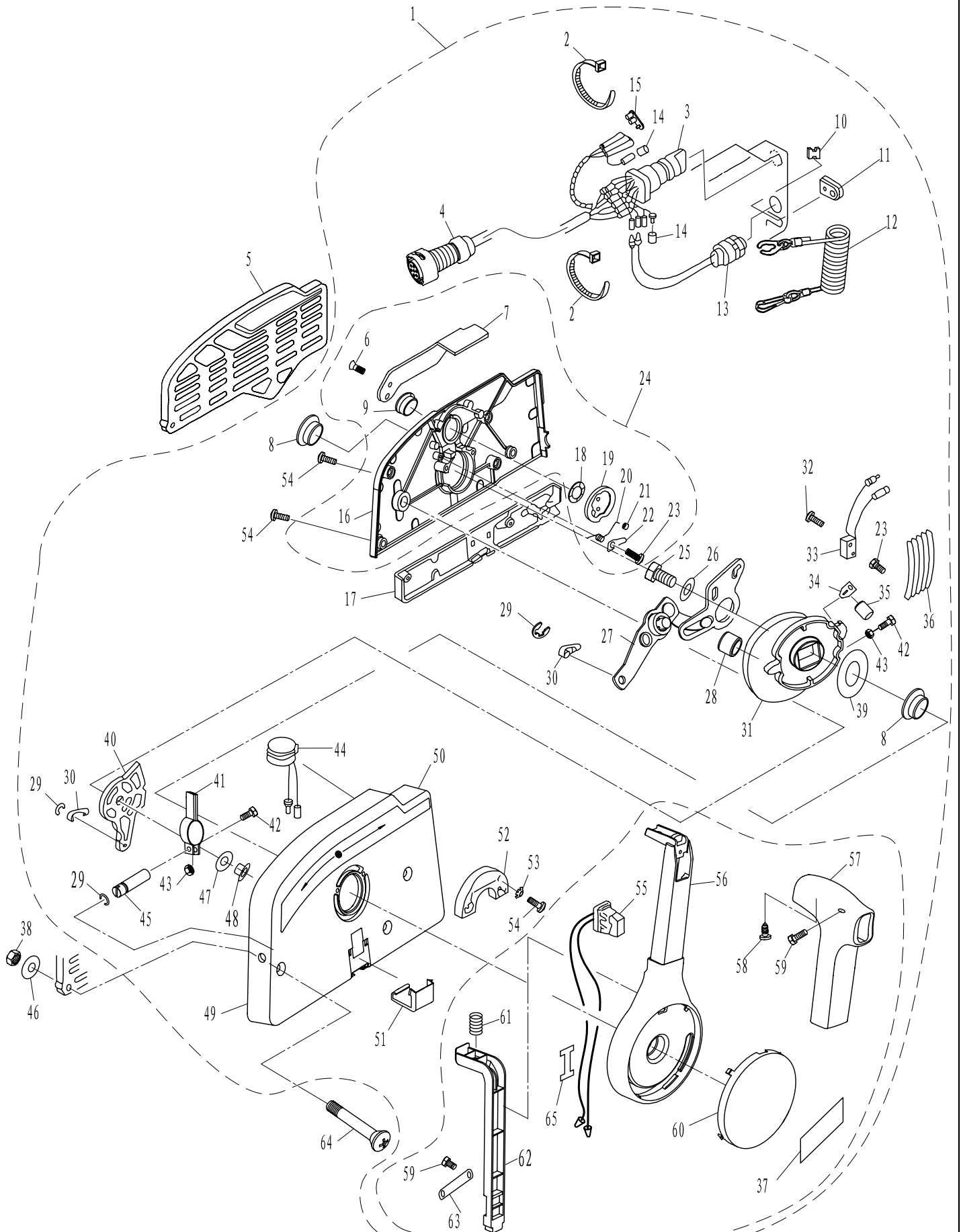
SN. 参照号码	PART NO. 零件编号	DESCRIPTION 零件名称(中文)	DESCRIPTION 零件名称(英文)	QTY 数量					
1	T85-08000100W	操控钢索组件	CONTROL CABLE, ASSY	2					
2	F25-01010012W	塑料装饰螺母B	NUT ,PLASTIC	1					
3	JASO F404-24-016	O形密封圈	O-RING	1					
4	F25-07000006W	非金属嵌件六角锁紧薄螺母3/8"	THIN LOCKNUT	2					
5	GB/T97.1-10	平垫圈 10	WASHER 10	3					
6	T60-01000001	转向连接板	LINK ROD	1					
7	F25-07000304W	六角螺母3/8"	NUT 3/8"	1					
8	F25-07000303W	螺栓垫管	TUBE ,BOLT	1					
9	F25-07000301W	转向连杆	LINK ROD , TURNING	1					
10	F25-07000302W	转向连杆螺栓	BOLT	1					
11	T60-07000300W	转向连杆总成	LINK ROD ASSY	1					

零部件名称:

操纵盒组件

PARTS NAME:

ELECTRICAL SYSTEM I



零部件名称:

操纵盒组件

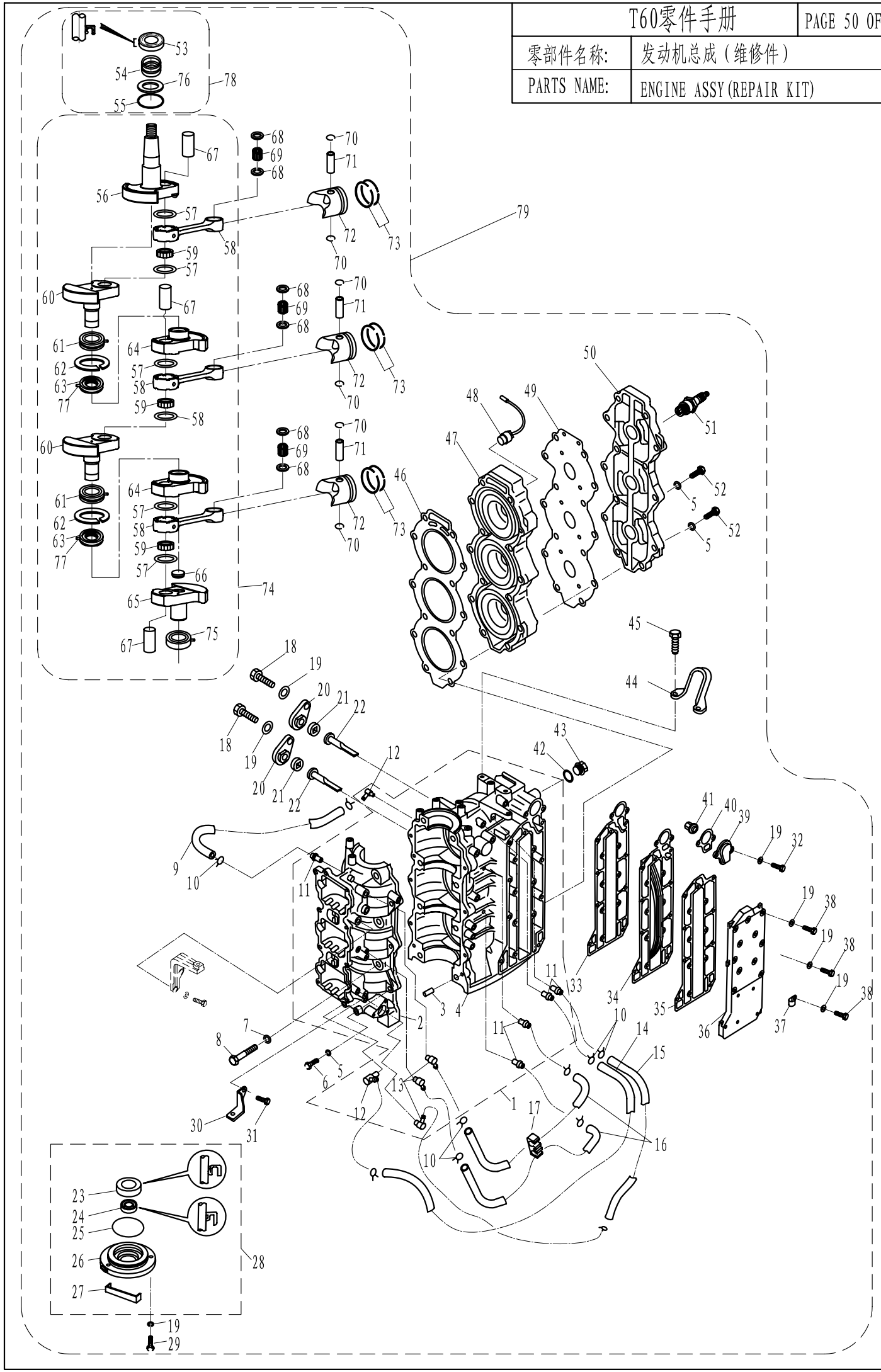
PARTS NAME:

ELECTRICAL SYSTEM I

SN. 参照号码	PART NO. 零件编号	DESCRIPTION 零件名称(中文)	DESCRIPTION 零件名称(英文)	QTY 数量					REMARKS 备注
1	T60-07010000	操纵盒组件	CONTROL BOX ASS'Y	1					
2	HT2.5X60	尼龙扎带	CLAMP	2					
3	F15-13000200W	起动开关组件	STARTING SWICH ASS'Y	1					
4	T85-08010100	操纵线索(十芯)	CONTROL CABLE,TEN PIN	1					
5	F15-11000002W	操纵盒安装板	PLATE ,CONTROL BOX	1					
6	GB/T819.2-M5x12	十字槽沉头螺钉 M5x12	SCREW PAN HEAD M5X12	2					
7	F15-13020007W	油门微调手柄	THROTTLE HANDLE ,INCHING	1					
8	F15-13000005W	凸轮机构衬套	BUSH ,CAM	2					
9	F15-13020006W	微调手柄衬套	BUSH ,HANDLE	1					
10	F15-11000001W	钢索橡胶垫块	BLOCK ,RUBBER	1					
11	F15-13000014W	线索护套	JACKET ,CABLE	1					
12	F4-01090401	引擎停止安全索	STOPER ,HANG ROPE ASS'Y	1					
13	F15-13000400W	急停开关组件	ENGINE STOP SWICH ASS'Y	1					
14	F15-13000203W	绝缘堵头 B	INSULATED PLUG "B"	2					
15	F15-13000202W	绝缘堵头 A	INSULATED PLUG "A"	1					
16	F15-13020001W	操纵盒盖	COVER ,CONTROL BOX	1					
17	F15-13000013W	操纵盒小盖板	SMALL COVER ,CONTROL BOX	1					
18	F15-13020005W	波形垫圈 B	WASHER "B" ,WAVE	1					
19	F15-13020100W	锁紧圆盘组件	LOCKED DISK ASS'Y	1					
20	F15-13020002W	扭簧	TORSTION SPRING	1					
21	F15-13020003W	互锁滑轮	EACH LOCKED PULLEY	1					
22	F15-13020004W	滑轮弹簧压板	PLATE ,PULLEY SPRING	1					
23	GB/T818-M4x6	十字槽盘头螺钉M4x6	PAN HEAD SCREW M4X6	2					
24	F15-13020000W	操纵盒盖组件	COVER ASS'Y,CONTROL BOX	1					
25	GB/T5783-M8x30	六角螺栓 M8x30	BOLT M8X30	1					
26	GB/T97.1-8	平垫圈 8	WASHER 8	1					
27	T20-13000500W	油门控制机构	MACHINE ,CONTROL ACCELEROGRAPH	1					
28	F15-13000007W	销轴垫圈	WASHER	1					
29	GB/T896-6	开口挡圈 6	PIN ,COTTER 6	3					
30	F25-07000007W	操控钢索接头 B	CONTROL CABLE TIE-IN "B"	2					
31	F15-13000002W	凸轮机构	CAM MECHANISM	1					
32	GB/T818-M3x14	十字槽盘头螺钉M3x14	PAN HEAD SCREW M3X14	2					
33	F15-13000800W	微动开关	INCHING SWITCH	1					
34	F15-13000003W	档位弹簧片压板	PLATE	1					
35	F15-13000004W	档位滑轮	PULLEY	1					
36	F15-13000001W	档位弹簧片 B	SHIFT SPRING PLATE "B"	5					
37	F15-12000016W	标贴 16	MARK 16	1					
38	GB/T6170-M6	六角螺母 M6	NUT M6	3					
39	F15-13000008W	凸轮机构减磨片	WEARABLE PLATE ,CAM MACHANISM	1					
40	F15-13000700W	变档摆杆	SHIFT SWING LINK	1					
41	F15-13000601W	调节器固定板组件	ADJUSTER FASTNESS ASSY	1					
42	GB/T5783-M5x25	六角螺栓 M5x25	BOLT M5x25	2					
43	GB/T6170-M5	六角螺母 M5	NUT M5	2					

零部件名称: 发动机总成(维修件)

PARTS NAME: ENGINE ASSY(REPAIR KIT)



零部件名称:

发动机总成(维修件)

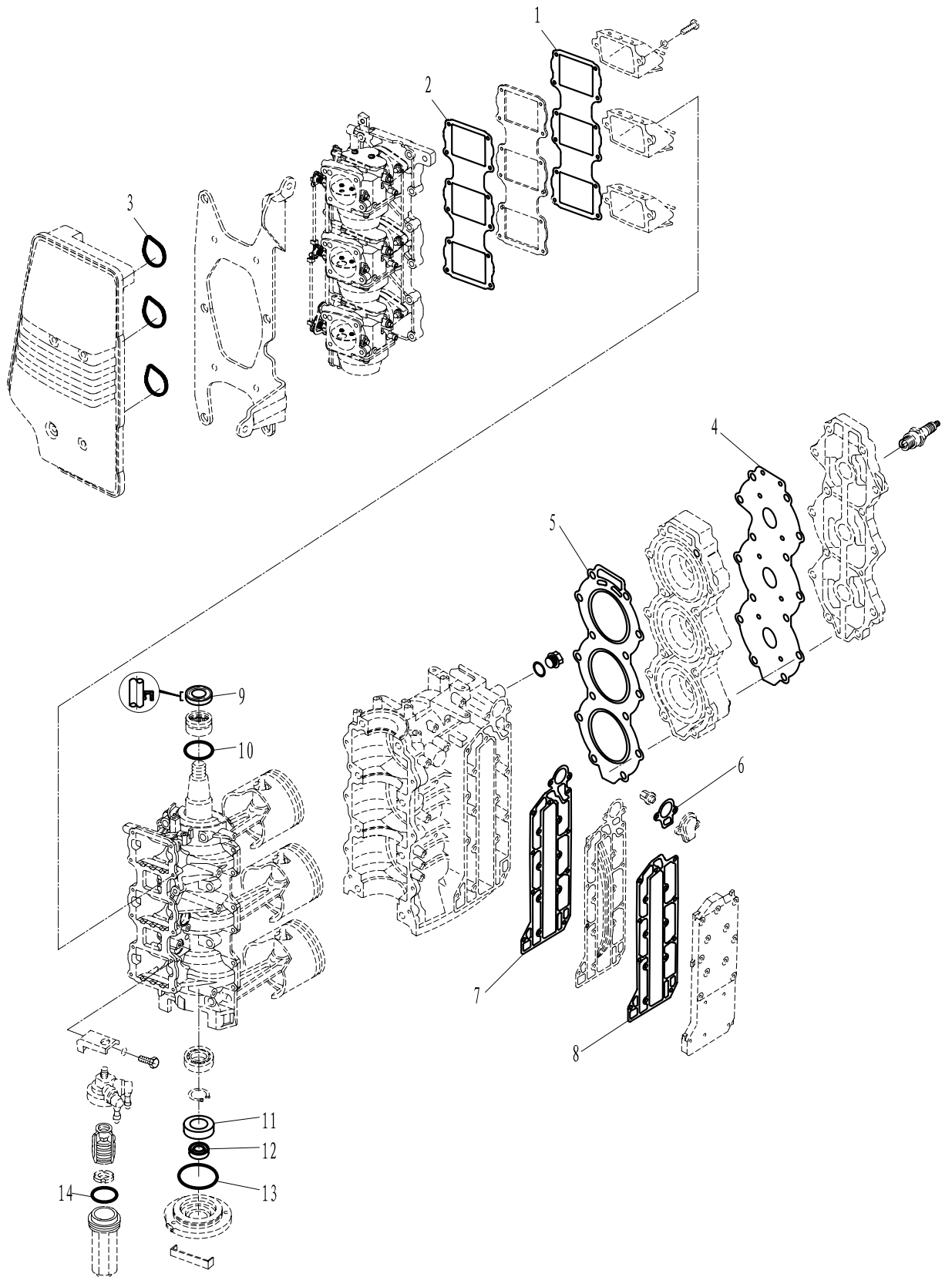
PARTS NAME:

ENGINE ASSY(REPAIR KIT)

SN. 参照号码	PART NO. 零件编号	DESCRIPTION 零件名称(中文)	DESCRIPTION 零件名称(英文)	QTY 数量					REMARKS 备注
1	T60-05010000	机体机座组件	CRANKCASE ASSY	1					
2	T60-05010201	机座	CRANKCASE	1					
3	F25-00000014	定位销Φ8x12	DOWEL PIN Φ8x12	2					
4	T60-05010100	机体组件	CYLINDER CASE	1					
5	GB/T97.1-8	平垫圈 8	WASHER 8	20					
6	T60-05010001	六角螺栓 M8x40	BOLT M8x40	6					
7	GB/T97.1-10	平垫圈 10	WASHER 10	8					
8	T40-05000030	六角螺栓 M10x1.25x55	BOLT M10x1.25x55	8					
9	T60-05000014	回气管A Φ2xΦ7x255	AIR PIPE A Φ2xΦ7x255	1					
10	T15-04000013	油管夹簧 C	CLIP SPRING C, OIL PIPE	8					
11	T15-03010202	出水咀	WATER NIPPLE	4					
12	T85-05010300	回油嘴组件	OIL NIPPLE ASSY	1					
13	T85-05010400	油嘴组件B	OIL NIPPLE ASSY B	3					
14	T60-05000015	回气管B Φ2xΦ7x445	AIR PIPE B Φ2xΦ7x445	1					
15	T60-05000016	回气管C Φ2xΦ7x350	AIR PIPE C Φ2xΦ7x350	1					
16	T60-05000017	回气管D Φ2xΦ7x170	AIR PIPE D Φ2xΦ7x170	2					
17	F25-05000016	尼龙管夹	PIPE CLAMP	1					
18	GB/T5783-M6x16	六角螺栓 M6x16	BOLT M6x16	2					
19	GB/T97.1-6	平垫圈 6	WASHER 6	23					
20	T60-05000009	阳极盖板	ANODE, COVER	2					
21	T60-05000008	阳极密封圈	ANODE, SEAL CIRCLE	2					
22	T60-05000007	阳极	ANODE	2					
23	T85-05020403	油封 30x47x7	OIL SEAL 30x47x7	1					
24	T60-05020202	油封 18x32x5	OIL SEAL 18x32x5	1					
25	T60-05020205	油封壳体O型圈 65.8x2.4	O RING 65.8x2.4	1					
26	T60-05020201	油封壳体	HOUSING, OIL SEAL	1					
27	T60-05020204	油封壳体橡胶条	HOUSING, RUBBER BOND	1					
28	T60-05020200	油封壳体组件	HOUSING ASSY	1					
29	GB/T5783-M6x20	六角螺栓 M6x20	BOLT M6x20	3					
30	T60-05000044	制动器固定架	BRACKET	1					
31	GB/T5783-M6x12	六角螺栓 M6x12	BOLT M6x12	1					
32	GB/T5783-M6x25	六角螺栓 M6x25	BOLT M6x25	4					
33	T60-05000010	排气内盖密封垫	GASKET, INNER COVER	1					
34	T60-05000011	排气内盖	INNER COVER, EXHAUST	1					
35	T60-05000012	排气外盖密封垫	GASKET, OUTER COVER	1					
36	T60-05000013	排气外盖	OUTER COVER, EXHAUST	1					
37	T85-01030006	线卡	CLAMP	1					
38	GB/T5783-M6x35	六角螺栓 M6x35	BOLT M6x35	16					
39	F15-07010021	节温器盖	COVER, THERMOSTAT	1					
40	F15-07010022	节温器盖垫	GASKET, THERMOSTAT	1					
41	T15-04000010	节温器	THERMOSTAT	1					
42	T85-05000003	放油密封垫	GASKET	1					
43	F15-04000002	放油螺塞	PLUG, DRAIN OIL	1					

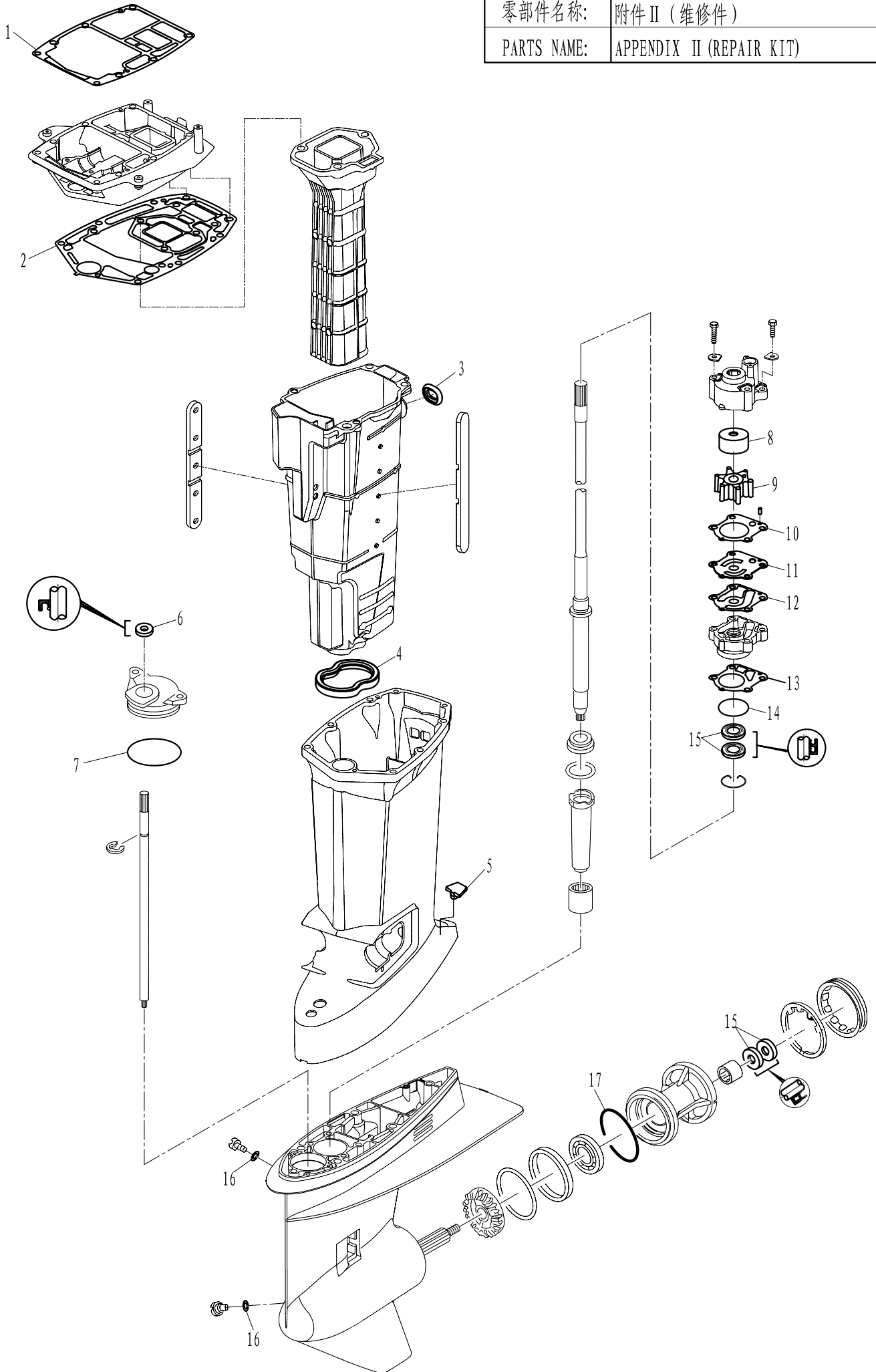
零部件名称: 附件 I (维修件)

PARTS NAME: APPENDIX I (REPAIR KIT)



零部件名称: 附件 II (维修件)

PARTS NAME: APPENDIX II (REPAIR KIT)



零部件名称:

零件目录检索表

PARTS NAME:

PARTS CATALOGUE INDEX

零件代号 PART NO.	页码/序号 PAGE/NO.	零件代号 PART NO.	页码/序号 PAGE/NO.	零件代号 PART NO.	页码/序号 PAGE/NO.
BPR7HS	28-51	F15-07060001	23-3	F15-13020001W	48-16
JASO F404 31-065	43-42	F15-07080000	30-3	F15-13020002W	48-20
JASO F404 31-50	14-27	F15-07080001	30-6	F15-13020003W	48-21
JASO F404-24-016	46-3	F15-07080002	30-4	F15-13020004W	48-22
JASOF404 24-017	43-6	F15-07130303	10-31	F15-13020005W	48-18
JB/T727.1-M10x32	5-35	F15-07150300W	23-21	F15-13020006W	48-9
JB/T7940.1-M6	2-24	F15-07150301W	23-22	F15-13020007W	48-7
JB/T7940.1-M6	5-18	F15-09000000	41-1	F15-13020100W	48-19
JIS B 2401-P24	43-25	F15-10000000	41-2	F25-00000004	10-17
JIS B 2401-P40	43-16	F15-10000001	41-9	F25-00000014	27-3
JIS B 2407-P24T2	43-26	F15-10000002	41-8	F25-01010009	5-25
JIS B 2407-P40T2	43-15	F15-10000003	41-7	F25-01010011	2-23
JIS FG46	43-7	F15-10010000	41-3	F25-01010012W	46-2
KOYO 26882-N	15-42	F15-10020000	41-6	F25-03000006	10-19
L44649 H1-CAP KOYO	14-19	F15-11000001W	48-10	F25-03000007	10-20
NSK 1620	14-22	F15-11000002W	48-5	F25-04000007	14-7
NTN 620715 C-3	15-55	F15-12000013W	49-50	F25-04000031	14-34
NTN HK 2526NS	15-59	F15-12000016W	48-37	F25-05000016	27-17
E4-07020015W	49-65	F15-13000001W	48-36	F25-05000025	19-2
E4-10040100W	49-55	F15-13000002W	48-31	F25-05000026	19-1
E10-01010008	3-69	F15-13000003W	48-34	F25-05090100W	23-23
F4-01090006	5-6	F15-13000004W	48-35	F25-05160021	39-6
F4-01090007	5-4	F15-13000005W	48-8	F25-05160501	39-4
F4-01090401	6-54	F15-13000006W	49-47	F25-05170201W	23-15
F4-01090401	48-12	F15-13000007W	48-28	F25-05170202W	23-16
F4-03000023	14-30	F15-13000008W	48-39	F25-05170401W	23-7
F4-03000024	14-31	F15-13000011W	49-48	F25-06000006	37-6
F4-04000030	30-1	F15-13000012W	49-49	F25-07000005W	12-20
F4-04090005	30-23	F15-13000013W	48-17	F25-07000006W	46-4
F4-04090011	30-24	F15-13000014W	48-11	F25-07000007W	48-30
F4-04120003	10-39	F15-13000015W	49-51	F25-07000301W	46-9
F4-04120106	6-49	F15-13000200W	48-3	F25-07000302W	46-10
F4-04130102	39-2	F15-13000202W	48-15	F25-07000303W	46-8
F4-05000200	10-29	F15-13000203W	10-22	F25-07000304W	46-7
F8-05000007	21-9	F15-13000203W	48-14	F40-00000002	8-15
F8-05000021	21-11	F15-13000300W	49-44	F40-00000006D	45-8
F15-00000006	8-1	F15-13000400W	6-53	F40-03000014W	10-37
F15-00000006	17-11	F15-13000400W	48-13	F60-00000011	45-3
F15-00000012	12-21	F15-13000601W	48-41	F60-00000012	45-6
F15-01010007	2-22	F15-13000602W	49-45	F60-00000013	45-7
F15-04000002	27-43	F15-13000700W	48-40	F60-00000015	45-2
F15-05000003	10-21	F15-13000800W	48-33	F60-01010001	3-65
F15-05000009	10-15	F15-13010001W	49-56	F60-01010002	2-21
F15-05000011	30-18	F15-13010002W	49-57	F60-01010003A	3-56
F15-05010001	10-27	F15-13010004W	49-62	F60-01010004	2-18
F15-07000003W	10-26	F15-13010005W	49-61	F60-01010102	3-58
F15-07000016	34-21	F15-13010008W	49-63	F60-01010103	2-17
F15-07000021	21-10	F15-13010009W	49-60	F60-01010104	2-15
F15-07010021	27-39	F15-13010010W	49-52	F60-01010200	3-68
F15-07010022	27-40	F15-13020000W	48-24	F60-06000000	43-1

零部件名称:

零件目录检索表

PARTS NAME:

PARTS CATALOGUE INDEX

零件代号 PART NO.	页码/序号 PAGE/NO.	零件代号 PART NO.	页码/序号 PAGE/NO.	零件代号 PART NO.	页码/序号 PAGE/NO.
F60-06000001	43-36	F60-06020100	44-63	T40-05080007	30-29
F60-06000002	43-32	F60-06020101	44-66	T40-05110002	39-20
F60-06000003	43-33	F60-06020102	44-65	T40-05110003	39-21
F60-06000004	43-34	F60-06020103	44-67	T40-10000001	43-17
F60-06000005	44-48	F60-06020200	44-69	T60-00000002	2-40
F60-06000006	44-46	F60-06020201	44-70	T60-00000003	2-37
F60-06000007	44-45	F60-06030000	43-40	T60-00000004 (22寸)	8-21
F60-06000008	43-43	T15-01020400	5-1	T60-00000005	8-2
F60-06000009	44-44	T15-03010202	27-11	T60-00000006	10-24
F60-06000010	44-50	T15-04000010	27-41	T60-00000008BW	6-51
F60-06000011	43-31	T15-04000013	27-10	T60-00010001	12-31
F60-06000101	43-30	T15-04000023	30-8	T60-00010002	12-27
F60-06000102	43-29	T15-04030103	12-2	T60-00010003	12-29
F60-06000200	43-27	T20-03000006	12-28	T60-00010004	12-30
F60-06000201	43-28	T20-06000037W	6-50	T60-00010100BW (22寸)	12-33
F60-06010000	43-2	T20-06020004-1	25-21	T60-00010100FW (20寸)	12-33
F60-06010002	43-5	T20-06020115	25-3	T60-01000001	46-6
F60-06010003	43-4	T20-06040010	21-6	T60-01010001-D	3-57
F60-06010004	43-18	T20-06050002	12-14	T60-01010004	2-28
F60-06010006	43-19	T20-06050302	12-8	T60-01010005	2-29
F60-06010007	43-20	T20-13000500W	48-27	T60-01010006	2-30
F60-06010008	43-21	T36-04050006	39-39	T60-01010301	2-26
F60-06010009	43-22	T40-01020101	6-53	T60-01020000	45-4
F60-06010010	43-23	T40-02010003	17-1	T60-01020001D	45-5
F60-06010100	43-3	T40-02010005	17-3	T60-01030000	6-62
F60-06010200	43-8	T40-04000012	14-2	T60-01030001	5-7
F60-06010201	43-9	T40-04000013	17-10	T60-01030002	5-14
F60-06010203	43-13	T40-04000021	17-21	T60-01030003	5-16
F60-06010204	43-11	T40-05000018	19-18	T60-01030101	5-5
F60-06020000	44-51	T40-05000024	30-15	T60-01030200	6-61
F60-06020001	44-61	T40-05000027	39-38	T60-01030201	5-43
F60-06020002	44-72	T40-05000028	39-12	T60-01030202	5-42
F60-06020003	44-73	T40-05000029	39-11	T60-02000001	8-14
F60-06020004	44-68	T40-05000030	27-8	T60-02000002	8-13
F60-06020005	44-71	T40-05000031	28-52	T60-02000003	8-12
F60-06020006	44-59	T40-05000100	21-16	T60-02000004	8-11
F60-06020007	44-60	T40-05000100	28-48	T60-02000005 (22寸)	8-20
F60-06020008	44-58	T40-05000704W	12-6	T60-02000007	10-25
F60-06020009	44-57	T40-05020006	25-18	T60-02010000	8-3
F60-06020010	44-79	T40-05020010	25-9	T60-02010002	8-8
F60-06020011	44-80	T40-05020011	25-24	T60-02010003	8-9
F60-06020012	44-78	T40-05020103	25-5	T60-02010005	8-10
F60-06020013	44-77	T40-05020107	25-10	T60-03000001	10-3
F60-06020014	44-56	T40-05080000	30-14	T60-03000002	10-18
F60-06020015	44-55	T40-05080001	30-20	T60-03000003	10-28
F60-06020017	44-81	T40-05080002	30-22	T60-03000004	10-23
F60-06020018	44-82	T40-05080003	30-21	T60-03000005	10-32
F60-06020019	44-83	T40-05080004	30-26	T60-03000006	10-33
F60-06020020	44-84	T40-05080005	30-27	T60-03000007	10-5
F60-06020021	44-85	T40-05080006	30-28	T60-03000008	10-9

零部件名称:

零件目录检索表

PARTS NAME:

PARTS CATALOGUE INDEX

零件代号 PART NO.	页码/序号 PAGE/NO.	零件代号 PART NO.	页码/序号 PAGE/NO.	零件代号 PART NO.	页码/序号 PAGE/NO.
T60-03000009	10-10	T60-05000100	21-17	T60-05040201	34-5
T60-03000010	10-4	T60-05000200	21-14	T60-05040202	34-6
T60-03000010BW	10-35	T60-05000300	19-3	T60-05040203	35-64
T60-03000010W	10-35	T60-05000300W	19-22	T60-05040204	35-66
T60-03000011BM	10-40	T60-05000400	32-16	T60-05040205	35-67
T60-03000012FW	10-36	T60-05000500	12-11	T60-05040206	35-61
T60-03000100	10-1	T60-05000501	12-10	T60-05040207	35-63
T60-03000200	10-14	T60-05000700	12-19	T60-05040208	34-18
T60-03000300W	23-20	T60-05000701	12-18	T60-05040209	34-13
T60-04000000 (22寸)	15-63	T60-05000800	32-3	T60-05040210	35-62
T60-04000000W (20寸)	15-63	T60-05000803	32-4	T60-05040211	34-24
T60-04000002	15-37	T60-05000900W	23-6	T60-05040212	34-17
T60-04000100	15-43	T60-05010000	27-1	T60-05040213	34-10
T60-04000601	15-52	T60-05010001	27-6	T60-05040214	34-9
T60-04010000BM (22寸)	14-17	T60-05010100	27-4	T60-05040215	34-20
T60-04010000FW (20寸)	14-17	T60-05010201	27-2	T60-05040216	34-22
T60-04020000	17-18	T60-05020001	25-20	T60-05040217	34-19
T60-05000001	28-46	T60-05020002	25-19	T60-05040218	34-12
T60-05000002	28-47	T60-05020006	25-17	T60-05040219	34-11
T60-05000003	28-49	T60-05020007	25-23	T60-05040220	34-7
T60-05000004	28-50	T60-05020100	25-22	T60-05040221	34-8
T60-05000007	27-22	T60-05020101	25-4	T60-05040222	34-4
T60-05000008	27-21	T60-05020102	25-15	T60-05040223	34-26
T60-05000009	27-20	T60-05020104	25-7	T60-05040224	34-27
T60-05000010	27-33	T60-05020105	25-6	T60-05040225	34-30
T60-05000011	27-34	T60-05020106	25-8	T60-05040226	34-31
T60-05000012	27-35	T60-05020108	25-11	T60-05040227	34-28
T60-05000013	27-36	T60-05020109	25-12	T60-05040228	34-29
T60-05000014	27-9	T60-05020110	25-13	T60-05040229	34-32
T60-05000015	27-14	T60-05020110-1	25-14	T60-05040230	34-33
T60-05000016	27-15	T60-05020200	27-28	T60-05040231	34-35
T60-05000017	27-16	T60-05020201	27-26	T60-05040232	34-36
T60-05000019	28-44	T60-05020202	27-24	T60-05040233	34-39
T60-05000020	12-1	T60-05020204	27-27	T60-05040234	34-40
T60-05000021	19-16	T60-05020205	27-25	T60-05040235	35-65
T60-05000022	19-17	T60-05020300	25-2	T60-05040236	35-45
T60-05000023	19-21	T60-05020400	25-26	T60-05040237	35-48
T60-05000024	21-7	T60-05030000	19-7	T60-05040238	34-43
T60-05000025	21-5	T60-05030001	19-13	T60-05040239	35-52
T60-05000026	21-15	T60-05030004	23-12	T60-05040240	35-49
T60-05000030	30-17	T60-05030100	19-15	T60-05040241	35-50
T60-05000032	30-19	T60-05030200	19-12	T60-05040242	35-51
T60-05000033	30-16	T60-05030300	19-8	T60-05040243	35-56
T60-05000034	30-11	T60-05030400BW	23-24	T60-05040244	35-58
T60-05000036	30-2	T60-05030400FW	23-24	T60-05040245	35-57
T60-05000038	21-3	T60-05040001	32-7	T60-05040246	35-47
T60-05000039	12-3	T60-05040001-1	32-9	T60-05040247	35-46
T60-05000040	12-23	T60-05040002	32-8	T60-05040248	35-53
T60-05000042	40-46	T60-05040100	32-10	T60-05040249	34-42
T60-05000044	27-30	T60-05040200	34-1	T60-05040250	34-41

零部件名称:

零件目录检索表

PARTS NAME:

PARTS CATALOGUE INDEX

零件代号 PART NO.	页码/序号 PAGE/NO.	零件代号 PART NO.	页码/序号 PAGE/NO.	零件代号 PART NO.	页码/序号 PAGE/NO.
T60-05040251	35-44	T85-01010701BW	6-56	T85-04000003-1	14-20
T60-05050000	39-1	T85-01010702BW	6-58	T85-04000003-2	14-20
T60-05050001	39-7	T85-01010703BW	6-59	T85-04000003-3	14-20
T60-05050002	39-5	T85-01010705BW	6-60	T85-04000003-4	14-20
T60-05050043	39-40	T85-01020001	2-10	T85-04000003-5	14-20
T60-05050100	40-45	T85-01020002	3-60	T85-04000003-6	14-20
T60-06000000	37-1	T85-01020003	3-59	T85-04000003-7	14-20
T60-06000001	37-4	T85-01020004	2-43	T85-04000004-1	15-41
T60-06000002	37-2	T85-01020005	2-42	T85-04000004-2	15-41
T60-06000003	37-18	T85-01020006	3-44	T85-04000004-3	15-41
T60-06000004	37-7	T85-01020007	3-45	T85-04000004-4	15-41
T60-06000005	37-12	T85-01020008	2-11	T85-04000004-5	15-41
T60-06000006	37-15	T85-01020010	3-48	T85-04000004-6	15-41
T60-06000007	37-13	T85-01030002	5-12	T85-04000004-7	15-41
T60-06000601	12-17	T85-01030002-1	5-13	T85-04000006	14-36
T60-06000602	12-15	T85-01030003	6-46	T85-04000007	15-40
T60-06000603	12-16	T85-01030005	5-15	T85-04000008	14-29
T60-07000300W	46-11	T85-01030006	27-37	T85-04000009	14-26
T60-07010000	48-1	T85-01030007	5-24	T85-04000011	14-25
T60-08000004	37-17	T85-01030008	6-48	T85-04000013	17-9
T60-09000001	37-3	T85-01030009	5-38	T85-04000014	14-16
T60-09000002	37-16	T85-01030010	5-36	T85-04000015	14-10
T60-09000003	37-5	T85-01030011	5-34	T85-04000016	14-9
T6-05000706	19-14	T85-01030012	5-31	T85-04000017	14-8
T85-00000001	3-52	T85-01030013	5-27	T85-04000018	14-18
T85-00000002	3-51	T85-01030014	5-29	T85-04000020	15-61
T85-00000003	2-4	T85-01030015	5-20	T85-04000021	15-62
T85-00000004	3-49	T85-01030016	5-21	T85-04000022	15-38
T85-00000007	2-39	T85-01030017	5-22	T85-04000023	14-33
T85-00000011	17-16	T85-01030018	5-41	T85-04000024	17-17
T85-00000012	17-8	T85-01030102	5-11	T85-04000025	17-19
T85-00000016	3-64	T85-01030200	5-8	T85-04000026	17-20
T85-00000017	3-62	T85-01030301	5-26	T85-04000027	15-60
T85-00000019	3-50	T85-01030500	5-39	T85-04000200	14-11
T85-00000020	3-46	T85-02000002	17-4	T85-04000201	14-12
T85-0000006	2-41	T85-02000005	2-1	T85-04000202	14-14
T85-00000100	3-53	T85-02010004BM	17-2	T85-04000203	14-15
T85-00010008	12-35	T85-02010004FW	17-2	T85-04000204	14-13
T85-00010010	12-25	T85-02010010	8-7	T85-04000300	14-6
T85-00010200	12-34	T85-02020001	2-8	T85-04000401	14-4
T85-01010003	2-20	T85-02020002	2-7	T85-04000402	14-5
T85-01010007	3-63	T85-02020003	2-5	T85-04000404	17-7
T85-01010203	2-16	T85-02020004	2-6	T85-04000405	17-6
T85-01010206	2-32	T85-02020100	2-9	T85-04000500	15-51
T85-01010207	2-33	T85-03000006	10-34	T85-04000501	15-50
T85-01010208	2-34	T85-03000007	10-38	T85-04000502	15-46
T85-01010210	2-25	T85-03000010	10-8	T85-04000503	15-47
T85-01010400	3-55	T85-03000011	10-2	T85-04000504	15-48
T85-01010403	3-54	T85-04000001	14-35	T85-04000505	15-49
T85-01010700BW	6-55	T85-04000002	14-21	T85-04000506	15-45

零部件名称:

零件目录检索表

PARTS NAME:

PARTS CATALOGUE INDEX

零件代号 PART NO.	页码/序号 PAGE/NO.	零件代号 PART NO.	页码/序号 PAGE/NO.	零件代号 PART NO.	页码/序号 PAGE/NO.
T85-04000507	15-44	T85-06010002	43-39		
T85-04000600	15-56	T85-06010009	43-37		
T85-04000601	15-58	T85-06010204	44-75		
T85-04000603	15-57	T85-06010205	44-74		
T85-04000604	15-54	T85-06010403	43-14		
T85-04000606-1	15-53	T85-06020015	44-47		
T85-04000606-2	15-53	T85-07000007	37-11		
T85-04000606-3	15-53	T85-08000100W	46-1		
T85-04000606-4	15-53	T85-08010100	48-4		
T85-04000606-5	15-53				
T85-04000606-6	15-53				
T85-04000606-7	15-53				
T85-05000003	27-42				
T85-05000022	23-8				
T85-05000023	23-11				
T85-05000039	19-6				
T85-05000040	40-47				
T85-05000042BW	6-52				
T85-05010300	27-12				
T85-05010400	27-13				
T85-05020003	25-1				
T85-05020007	25-16				
T85-05020403	27-23				
T85-05030002	23-17				
T85-05030003	23-14				
T85-05030004	23-13				
T85-05030200	23-19				
T85-05060012	12-22				
T85-05060500	32-14				
T85-05070001	39-18				
T85-05070002	39-19				
T85-05070006	39-14				
T85-05070007	39-15				
T85-05070008	39-13				
T85-05070009	39-17				
T85-05070010	39-16				
T85-05070011	39-23				
T85-05070012	39-24				
T85-05070013	39-28				
T85-05070014	39-25				
T85-05070015	39-27				
T85-05070016	39-26				
T85-05070017	39-29				
T85-05070018	39-30				
T85-05070019	39-32				
T85-05070020	39-31				
T85-05070021	39-33				
T85-05070022	39-34				
T85-05070023	39-3				
T85-05160236	32-13				