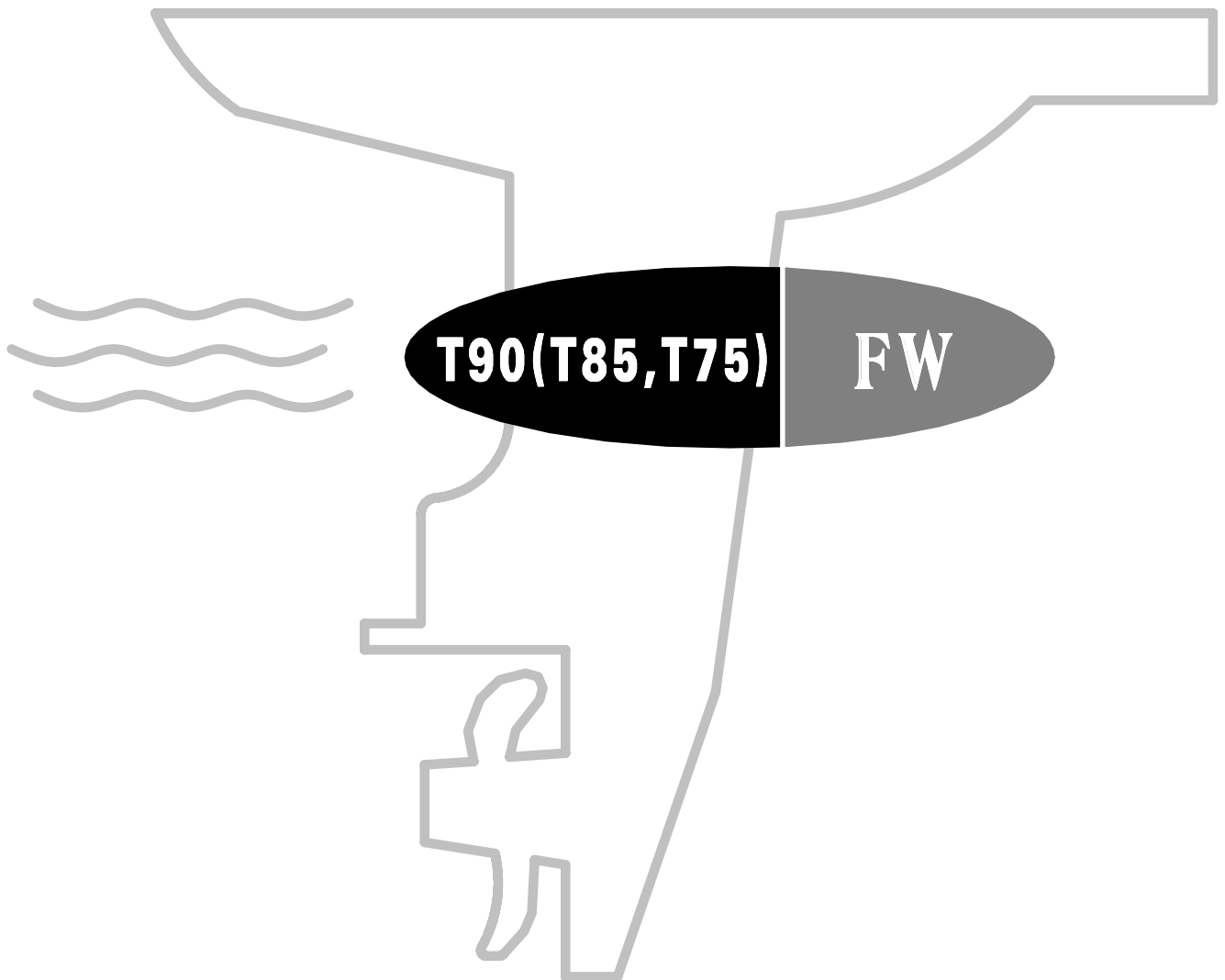


零件目录

PARTS CATALOGUE



T90(T85,T75)

FW

苏州百胜动力机器有限公司

SUZHOU PARSUN POWER MACHINE CO., LTD

目次

CONTENTS

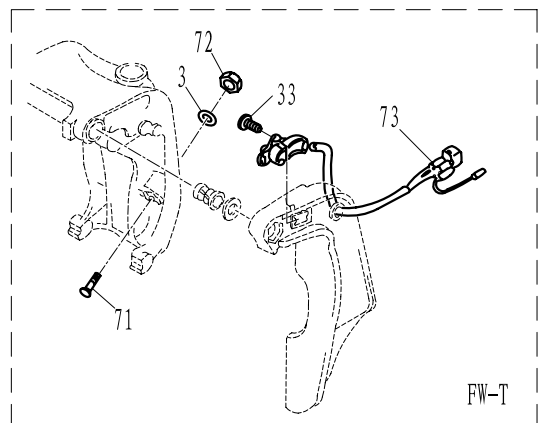
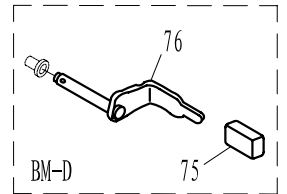
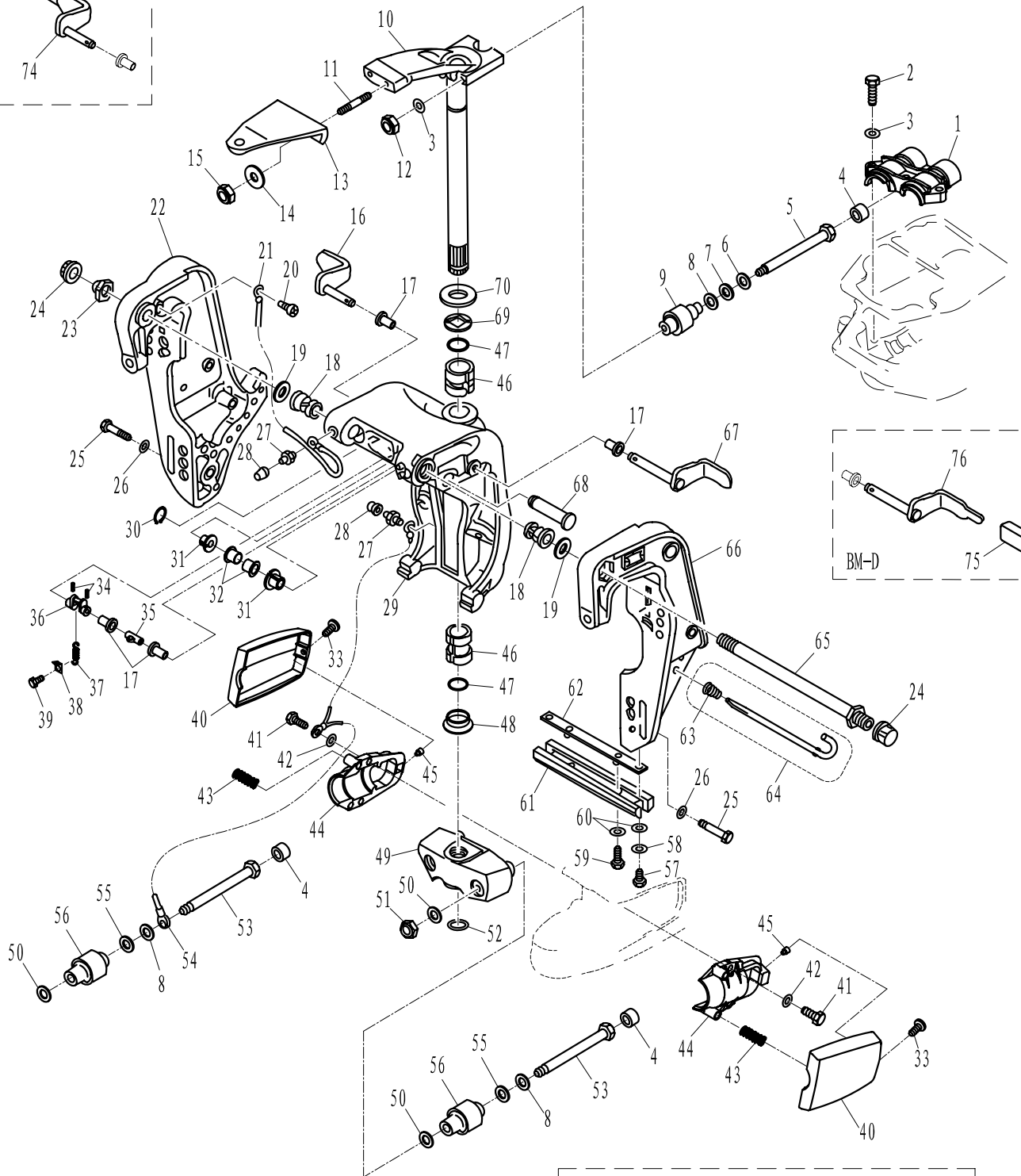
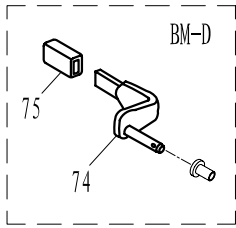
托架 I	1 ~ 3
BRACKET I	1 ~ 3
操舵系统	4 ~ 6
STEERING	4 ~ 6
水上装置壳体	7 ~ 8
UPPER CASING	7 ~ 8
底罩	9 ~ 10
BOTTOM COWLING	9 ~ 10
控制系统	11 ~ 13
CONTROL SYSTEM	11 ~ 13
水下装置壳体&驱动系统 I	14 ~ 16
LOWER CASING & DRIVE I	14 ~ 16
水下装置壳体&驱动系统 II	17 ~ 18
LOWER CASING & DRIVE II	17 ~ 18
电气系统 I	19 ~ 20
ELECTRICAL SYSTEM I	19 ~ 20
电气系统 II	21 ~ 22
ELECTRICAL SYSTEM II	21 ~ 22
曲轴&活塞	23 ~ 24
CRANKSHAFT & PISTON	23 ~ 24
曲轴箱	25 ~ 27
CRANKCASE	25 ~ 27
燃油系统	28 ~ 29
FUEL SYSTEM	28 ~ 29
进气系统	30 ~ 31
INTAKE SYSTEM	30 ~ 31
化油器总成	32 ~ 34
CARBURETOR ASSY	32 ~ 34
顶罩组件	35 ~ 36
TOP COWLING ASSY	35 ~ 36
启动器	37 ~ 39
STARTER	37 ~ 39
燃油箱	40
FUEL TANK	40
液压起翘系统	41 ~ 43
HYDRAULIC TILT SYSTEM	41 ~ 43
手动起翘	44 ~ 45
MANUAL TILT	44 ~ 45
转向连杆组件	46
LINK ROA ASSY	46
操纵盒组件	47 ~ 49
CONTROL BOX ASSY	47 ~ 49
发动机头总成(修理件)	50 ~ 52
CYLINDER HEAD ASSY (REPAIR KIT)	50 ~ 52
附录1(修理件)	53 ~ 54
APPENDIX 1 (REPAIR KIT)	53 ~ 54
附录2(修理件)	55 ~ 56
APPENDIX 2 (REPAIR KIT)	55 ~ 56
零件目录检索表	I ~ V
PARTS CATALOGUE INDEX	I ~ V

零部件名称:

托架

PARTS NAME:

BRACKET



零部件名称:

托架

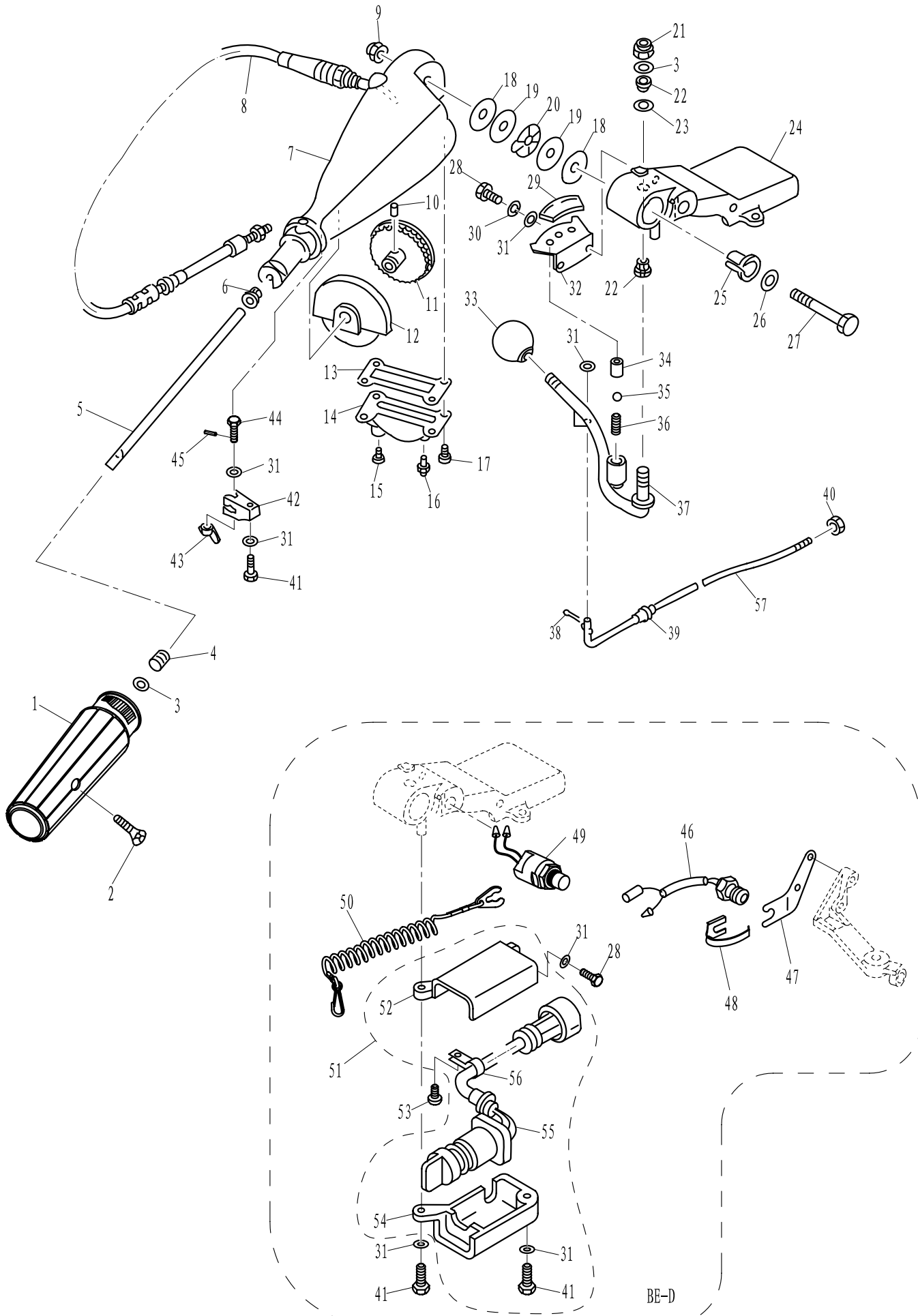
PARTS NAME:

BRACKET

SN. 参照号码	PART NO. 零件编号	DESCRIPTION 零件名称(中文)	DESCRIPTION 零件名称(英文)	QTY 数量					
1	T85-02000005	减震器盖	ABSORBER COVER	1					
2	GB/T5783-M8x35	六角螺栓M8x35	BOLT M8x35	3					
3	GB/T97.1-8	平垫圈8	WASHER 8	7					
4	T85-00000003	螺栓胶帽	ROBBER CAP	4					
5	T85-02020003	长螺栓	LONG BOLT	2					
6	T85-02020004	螺栓垫圈B	WASHER	4					
7	T85-02020002	橡胶垫片B	WASHER B	2					
8	T85-02020001	减震器垫片B	ABSORBER WASHER B	4					
9	T85-02020100	减震器B	ABSORBER B	2					
10	T85-01020001	操舵托架	BRACKET	1					
11	T85-01020008	双头螺栓 M10x1.25x28	BOLT M10x1.25x28	2					
12	GB/T889.2-M10x1.25	六角锁紧螺母M10x1.25	NUT, SELF LOCKING M10x1.25	2					
13	T85-01020009	转向连接板	PLATE	1					
14	GB/T97.1-10	平垫圈10	WASHER 10	2					
15	GB/T889.2-M10x1.25	六角锁紧螺母M10x1.25	NUT, SELF LOCKING M10x1.25	2					
16	T85-01010202	支撑架组件A	SUPPORTING ASSY A	1					
17	T85-01010203	支撑架尼龙衬套	BUSH, NYLON	4					
18	F25-01010002	螺管尼龙衬套	BUSH, NYLON	2					
19	F25-01010003	螺管垫圈	WASHER	2					
20	GB/T818-M6x10	十字槽盘头螺钉 M6x10	SCREW M6x10	1					
21	T85-01010003	接地钢索A	WIRE, LEAD A	1					
22	T85-01010002	夹紧托架(右)	BRACKET, CLAMP (RIGHT)	1					
23	F15-01010007	托架夹紧螺母	NUT	1					
24	F25-01010011	塑料装饰螺母	NUT	2					
25	T85-00000012	凸缘螺栓 M10x1.25x45	BOLT M10x1.25x45	6					
26	GB/T93-10	弹性垫圈 10	WASHER 10	6					
27	JB/T7940.1-M6	直通式压注油杯 M6	NIPPLE, GREASE	3					
28	T85-01010210	油杯胶帽	CAP, GREASE NIPPLE	3					
29	T85-01010201	旋转支架	BRACKET	1					
30	GB/T894.1-18	轴用弹性挡圈18	CIRCLIP 18	1					
31	T85-00000017	销轴衬套A	BUSH A	2					
32	T85-00000018	销轴衬套B	BUSH B	2					
33	GB/818-M6x16	十字槽盘头螺钉 M6x16	SCREW M6x16	4					
34	GB/T897.2-3x16	轻型直槽弹性圆柱销3x16	PIN, SPRING	2					
35	T85-01010205	支撑架长尼龙衬套	COLLAR	1					
36	T85-01010206	支撑架摆杆组件	COLLAR, DISTANCE	1					
37	T85-01010207	摆杆拉簧	SPRING	1					
38	T85-01010208	拉簧支架	PLATE	1					
39	GB/T5783-M6x10	六角螺栓M6x10	BOLT M6x10	1					
40	T85-00000008	减震器外盖	COVER, ABSORBER	2					
41	GB/T5783-M8x25	六角螺栓 M8x25	BOLT M8x25	4					
42	GB/T93-8	弹性垫圈 8	WASHER 8	4					
43	T85-00000007	减震器弹簧	SPRING	4					

零部件名称: 操舵系统(手操)

PARTS NAME: STEERING (MANUAL CONTROL)



零部件名称:

操舵系统(手操)

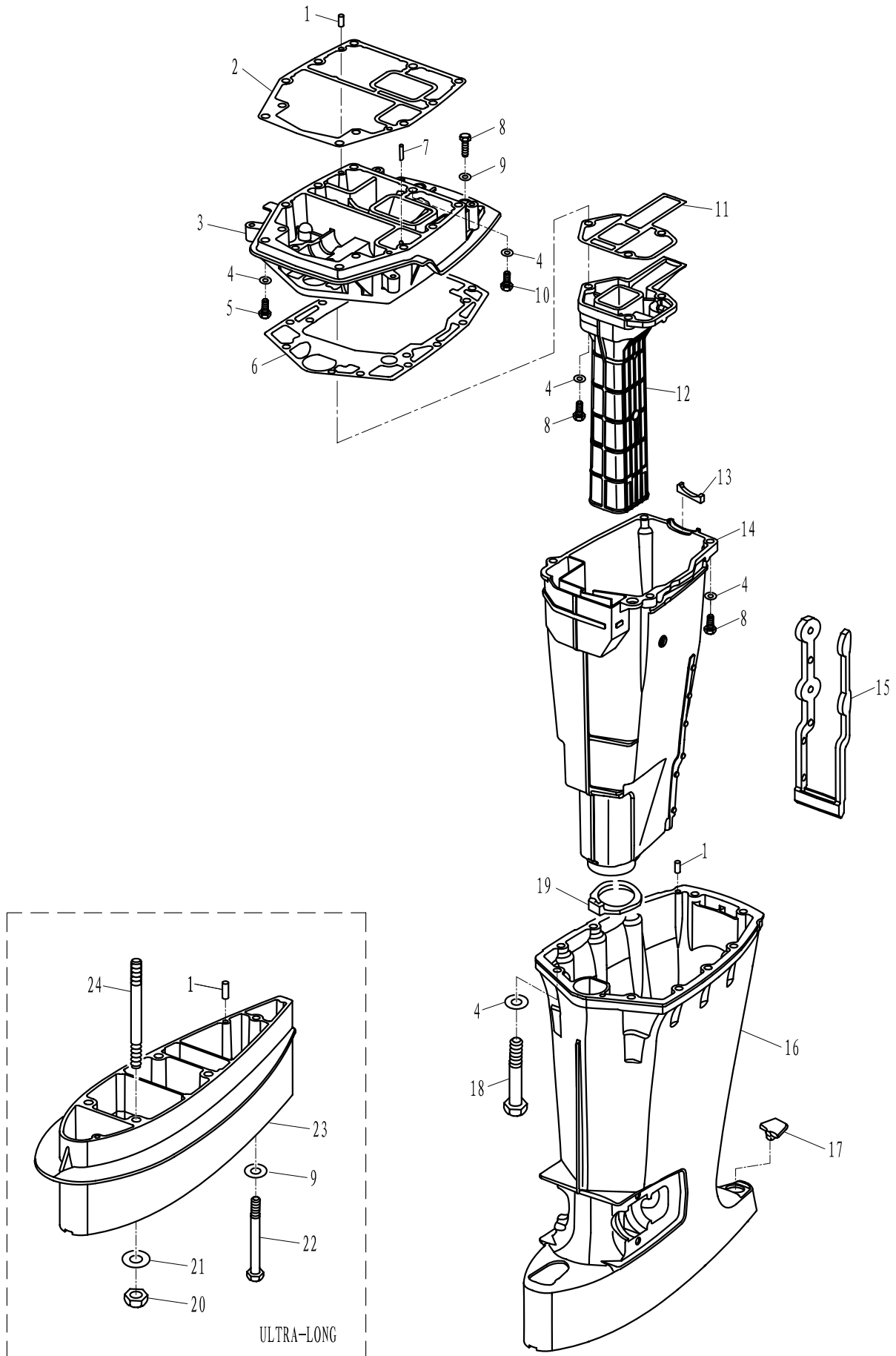
PARTS NAME:

STEERING (MANUAL CONTROL)

SN. 参照号码	PART NO. 零件编号	DESCRIPTION 零件名称(中文)	DESCRIPTION 零件名称(英文)	QTY 数量					REMARKS 备注
1	T15-01020300	操舵手柄塑胶套组件	STEERING HANDLE ASSY	1					
2	GB/T820-M5x25	十字槽半沉头螺钉 M5x25	SCREW M5x25	1					
3	GB/T848-10	小垫圈 10	WASHER 10	2					
4	F4-01090007	压缩弹簧	SPRING, COMPRESION	1					
5	T85-01030101	节气门杆芯轴	THROTTLE LEVER	1					
6	F4-01090006	衬套	BUSH	1					
7	T85-01030001	操舵手柄	HANDLE, STEERING	1					
8	T85-01030200	油门推拉索组件	THROTTLE CABLE ASSY	1					
9	GB/T889. 2-M12x1. 25	非金属嵌件六角锁紧螺母 M12x1. 25	NUT, SELF-LOCKING M12x1. 25	1					
10	GB/T879. 4-Φ3x16	标准型卷制弹性圆柱销 Φ3x16	PIN Φ3x16	1					
11	T85-01030102	节气门杆齿轮组件	HANDLE, STEERING	1					
12	T85-01030002	齿轮盖板	HOUSING, THROTTLE LEVER	1					
13	T85-01030005	盖板密封垫	GASKET	1					
14	T85-01030004	节气门盖板	CAVER, THROTTLE LEVER	1					
15	GB/T818-M6x6	十字槽半沉头螺钉 M6x6	SCREW, PAN HEAD M6x6	1					
16	JB/T7940. 1-M6	直通压注式油杯M6	NOPPLE, GREASE	1					
17	GB/T818-M5x12	十字槽盘头螺钉 M5x12	SCREW, PAN HEAD M5x12	4					
18	T85-01030015	手柄减磨圈	WASHER	2					
19	T85-01030016	手柄垫圈	WASHER	2					
20	T85-01030017	手柄波形垫圈	WASHER WAVE	1					
21	GB/T889. 2-M10x1. 25	非金属嵌件六角锁紧螺母M10x1. 25	NUT, SELF-LUCKING	1					
22	T85-01030007	变档手柄尼龙衬套	BUSH, NYLON	2					
23	F25-01010009	尼龙衬圈	WASHER, NYLON	1					
24	T85-01030301	手柄托架	BARCKET	1					
25	T85-01030013	手柄托架尼龙衬套	BUSH	1					
26	GB/T97. 1-12	平垫圈 12	WASHER 12	1					
27	T85-01030014	托架螺栓 M12x1. 25x70	BOLT M12x1. 25x70	1					
28	GB/T5783-M6x16	六角螺栓 M6x16	BOLT M6x16	3					
29	T85-01030012	档位标牌	INDICATOR, SHIFT	1					
30	GB/T93-6	弹性垫圈 6	WASHER, SPRING	2					
31	GB/T97. 1-6	平垫圈 6	WASHER 6	8					
32	T85-01030011	变档档位板	CAM PLATE, HANDLE	1					
33	JB/T727. 1-94	手柄球 M10x32	LEVER, SHIFT CONTROL	1					
34	T85-01030010	变档弹簧导向套	COLLAR	1					
35	GB/T308-8	钢珠 12	BALL 12	1					
36	T85-01030009	变档手柄弹簧	SPRING	1					
37	T85-01030500	变档手柄组件	HANDLE, GEAR SHIFT	1					
38	GB/T91-Φ2x12	开口销 Φ2x12	PIN Φ2x12	1					
39	T85-01030018	变档连接杆衬套	BUSH	1					
40	10-32-UNF-2B	六角螺母10-32-UNF-2B	NUT 10-32-UNF-2B	1					
41	GB/T5783-M6x25	六角螺栓 M6x25	BOLT M6x25	4					
42	T85-01030003	握把摩擦块	FRICTION	1					
43	GB62-M6	蝶形螺母 M6	NUT, WING	1					

零部件名称: 水上装置壳体

PARTS NAME: UPPER CASING

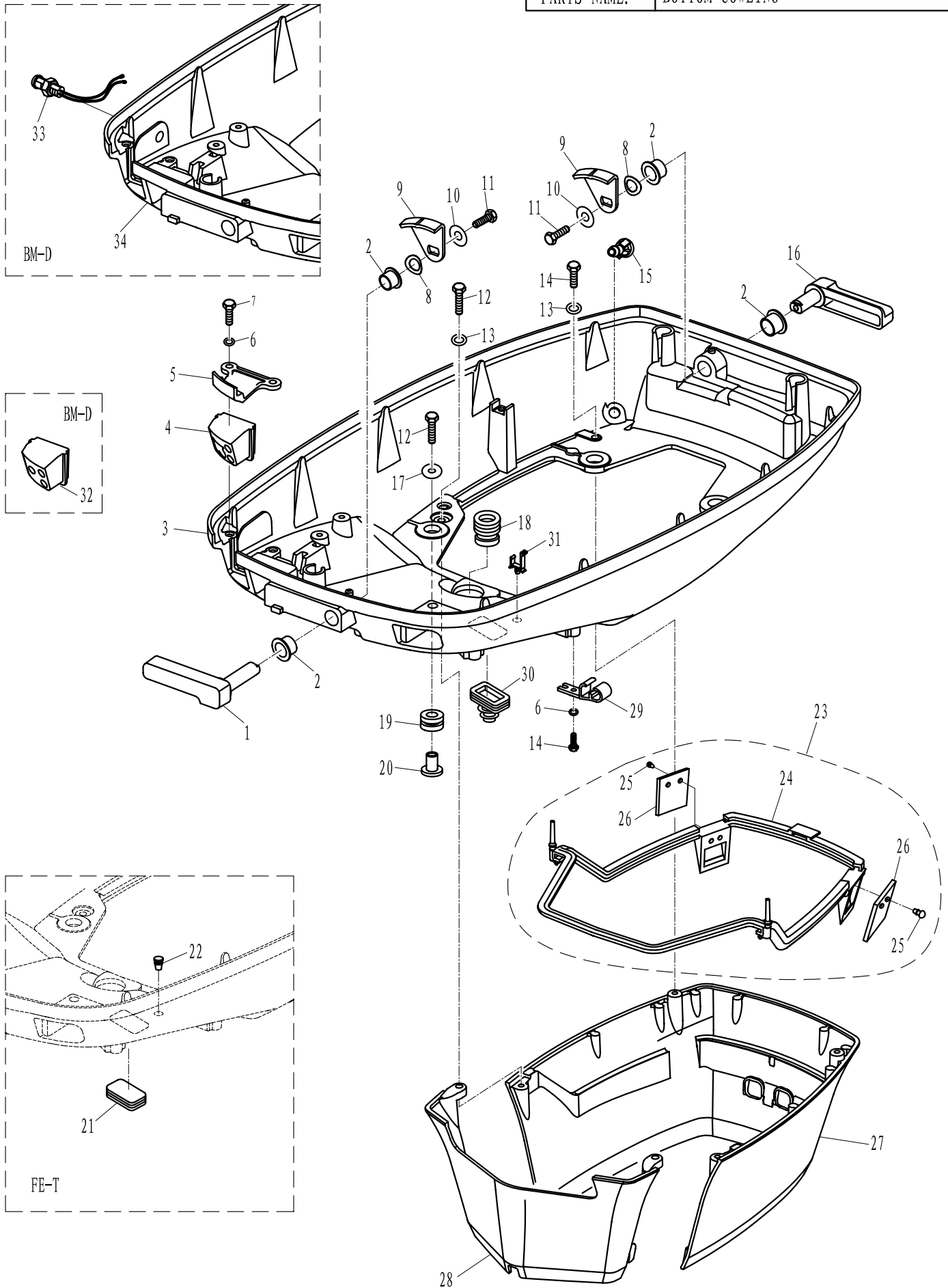


零部件名称:

底罩

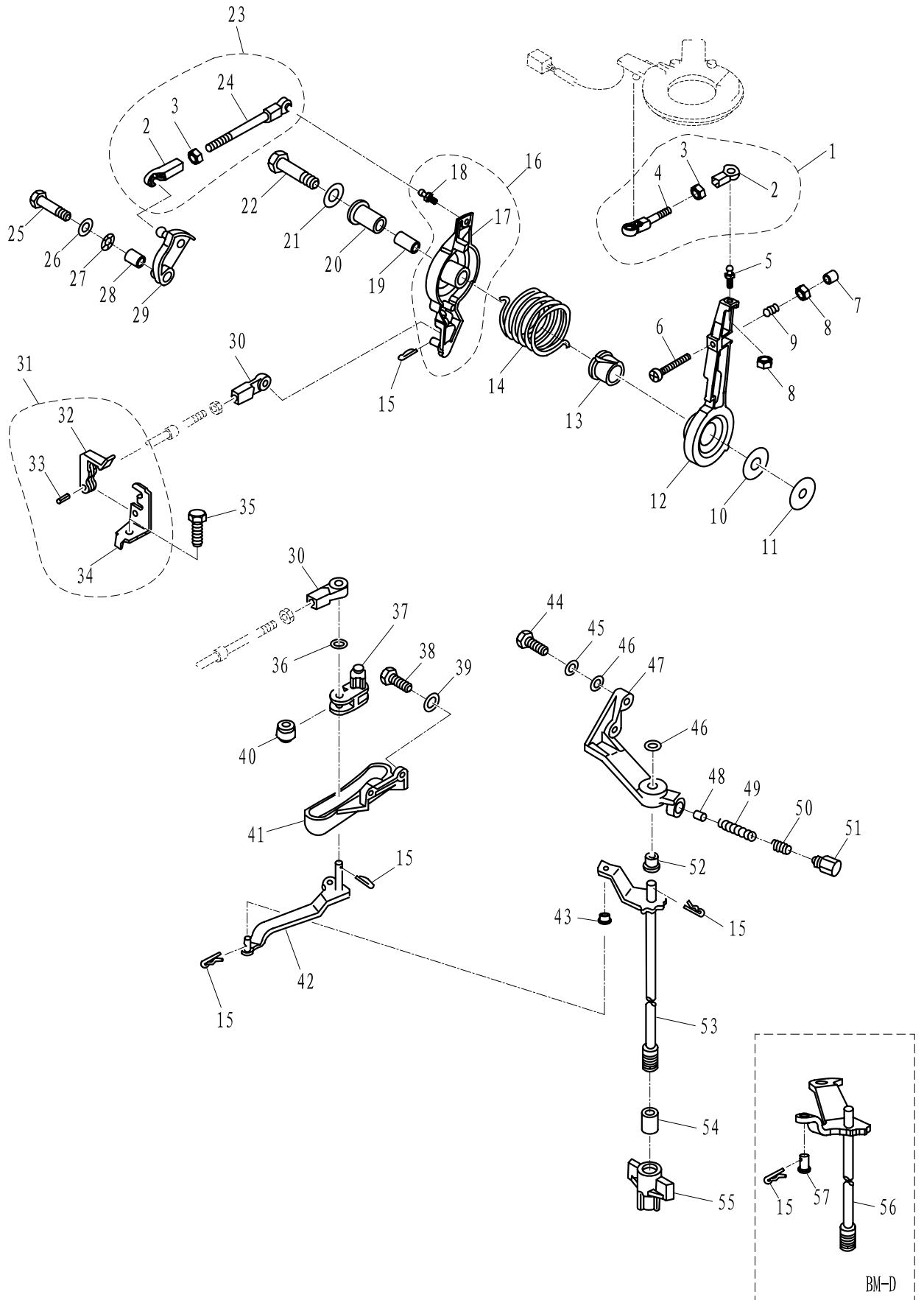
PARTS NAME:

BOTTOM COWLING



零部件名称: 控制系统

PARTS NAME: CONTROL SYSTEM



零部件名称:

控制系统

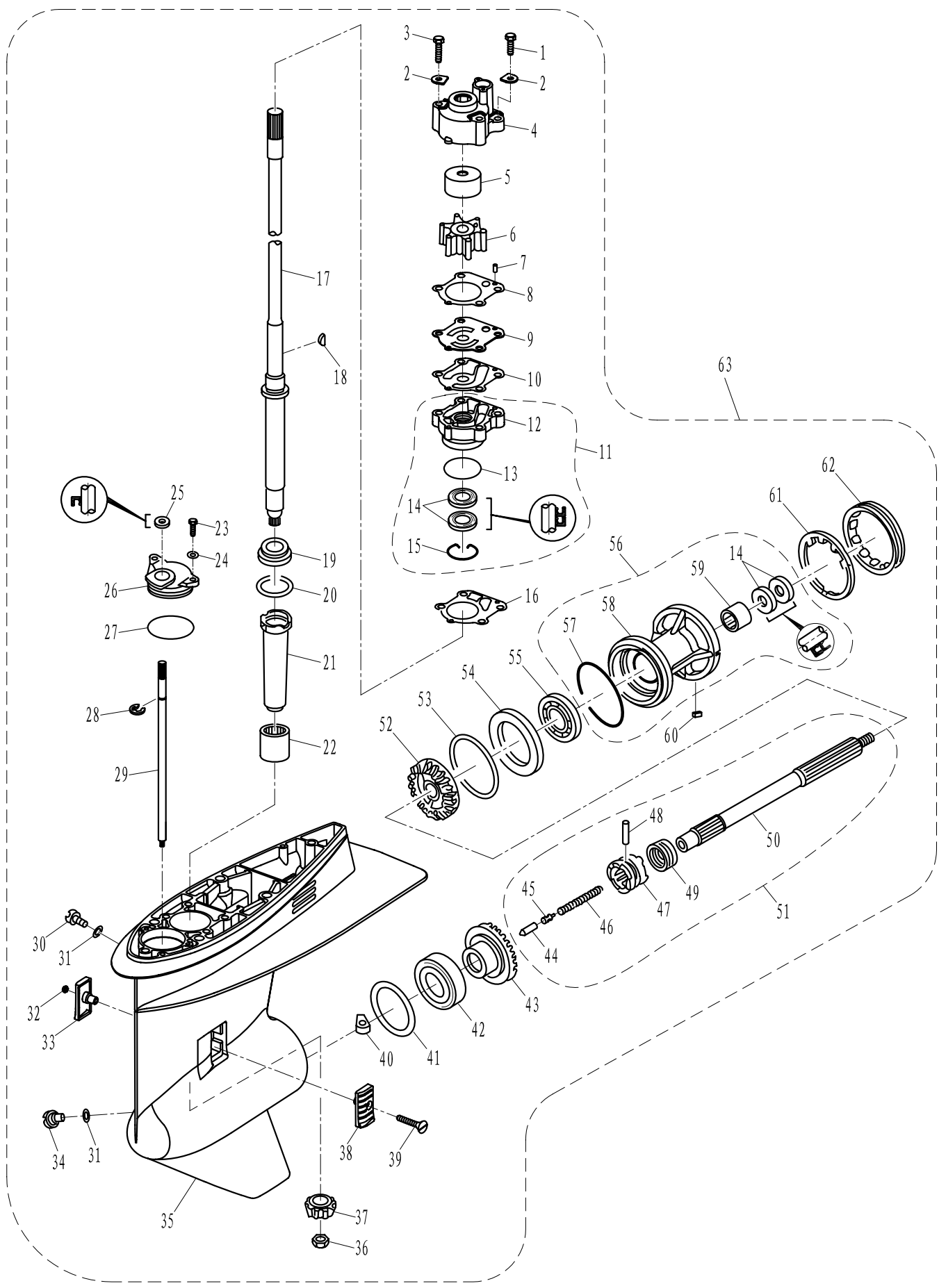
PARTS NAME:

CONTROL SYSTEM

SN. 参照号码	PART NO. 零件编号	DESCRIPTION 零件名称(中文)	DESCRIPTION 零件名称(英文)	QTY 数量					REMARKS 备注
1	T85-05050300	磁电机座连杆组件	CONNECTING ROD ASSY, MAGNETO SEAT	1					
2	T15-04040005	触发线圈接头	TIE-IN	2					
3	GB/T6170-M5	六角螺母 M5	NUT M5	2					
4	T85-05050301	磁电机座连杆	CONNECTING ROD, MAGNETO SEAT	1					
5	T20-06040007	连杆接头	TIE-IN, CONNECTING ROD	1					
6	GB/T818-M6x45	十字槽盘头螺钉 M6x45	BOLT M6x45	1					
7	T15-04030103	螺母护盖	COVER, NUT	1					
8	GB/T6170-M6	六角螺母 M6	NUT M6	2					
9	T85-05050202	压缩弹簧	COMPRESSION SPRING	1					
10	T85-05000031	减磨片	WEARABLE LOOP	1					
11	T85-05050001	特大垫圈 8	BIGGEST WASHER 8	1					
12	T85-05050201	从动滑轮	CHAIN WHEEL, DRIVEN	1					
13	T85-05050004	从动滑轮衬套	BUSH, DRIVEN WHEEL	1					
14	T85-05050005	从动滑轮扭簧	TORSIONAL SPRING, DRIVEN WHEEL	1					
15	F15-00000012	夹簧 $\phi 1.8$	COLLET $\phi 1.8$	5					
16	T85-05050100	主动滑轮组件	PULLEY DRIVE ASSY	1					
17	T85-05050101	主动滑轮	PULLEY DRIVE	1					
18	T85-05050102	滑轮铆接头	TIE-IN, CHAIN WHEEL	1					
19	T40-05070002	油门执行器衬管	PIPE, ACCELERROGRAPH	1					
20	T85-05050003	油门执行器衬套	BUSH, ACCELERROGRAPH	1					
21	T85-05050006	大垫圈 8	BIG WASHER 8	1					
22	GB/T5782-M8x45	六角螺栓 M8x45	BOLT M8x45	1					
23	T85-05060300	油门连杆组件	CONNECTING ROD ASSY, ACCELERROGRAPH	1					
24	T85-05060301	油门连杆	CONNECTING ROD, ACCELERROGRAPH	1					
25	GB/T5783-M6x35	六角螺栓 M6x35	BOLT M6x35	1					
26	GB/T96-6	大垫圈 6	WASHER 6	1					
27	T85-05060012	波形垫圈	WASHER, WAVE	1					
28	T85-05060011	摆杆垫管	BUSH, SWING SHAFT	1					
29	T85-05060010	油门摆杆A	ACCELERATOR BAR A	1					
30	F25-07000005W	控操钢索接头A	TIE-IN, CONTROL CABLE	2					
31	T85-03000100	钢索固定架组件	FIXED FRAME ASSY, TIGHTWIRE	1					
32	T85-03000102	钢索锁夹	CLAMP	1					
33	GB/T879.2-3x12	轻型直槽弹性圆柱销 $\phi 3x12$	PIN $\phi 3x12$	1					
34	T85-03000101	钢索固定架	FIXED FRAME, TIGHTWIRE	1					
35	GB/T5783-M8x16	六角螺栓 M8x16	BOLT M8x16	1					
36	T85-00010008	尼龙垫圈	WASHER, NYLON	1					
37	T85-00010009	油门滑块	SLIDED BLOCK, ACCELEROGRAPH	1					
38	GB/T5783-M6x20	六角螺栓 M6x20	BOLT M6x20	2					
39	GB/T97.1-6	平垫圈 6	WASHER 6	2					
40	T85-00010010	油门滑轮	PULLEY, ACCELEROGRAPH	1					
41	T85-00010006	油门摆杆座	ACCELERATOR BAR SEAT	1					
42	T85-00010200	油门摆杆组件	ACCELERATOR BAR ASSY	1					
43	T85-00010007	小轴衬套	BUSH, SMALL SHAFT	1					

零部件名称: 水下装置壳体 & 驱动系统 I

PARTS NAME: LOWER CASING & DRIVE I



零部件名称:

水下装置壳体 & 驱动系统 I

PARTS NAME:

LOWER CASING & DRIVE I

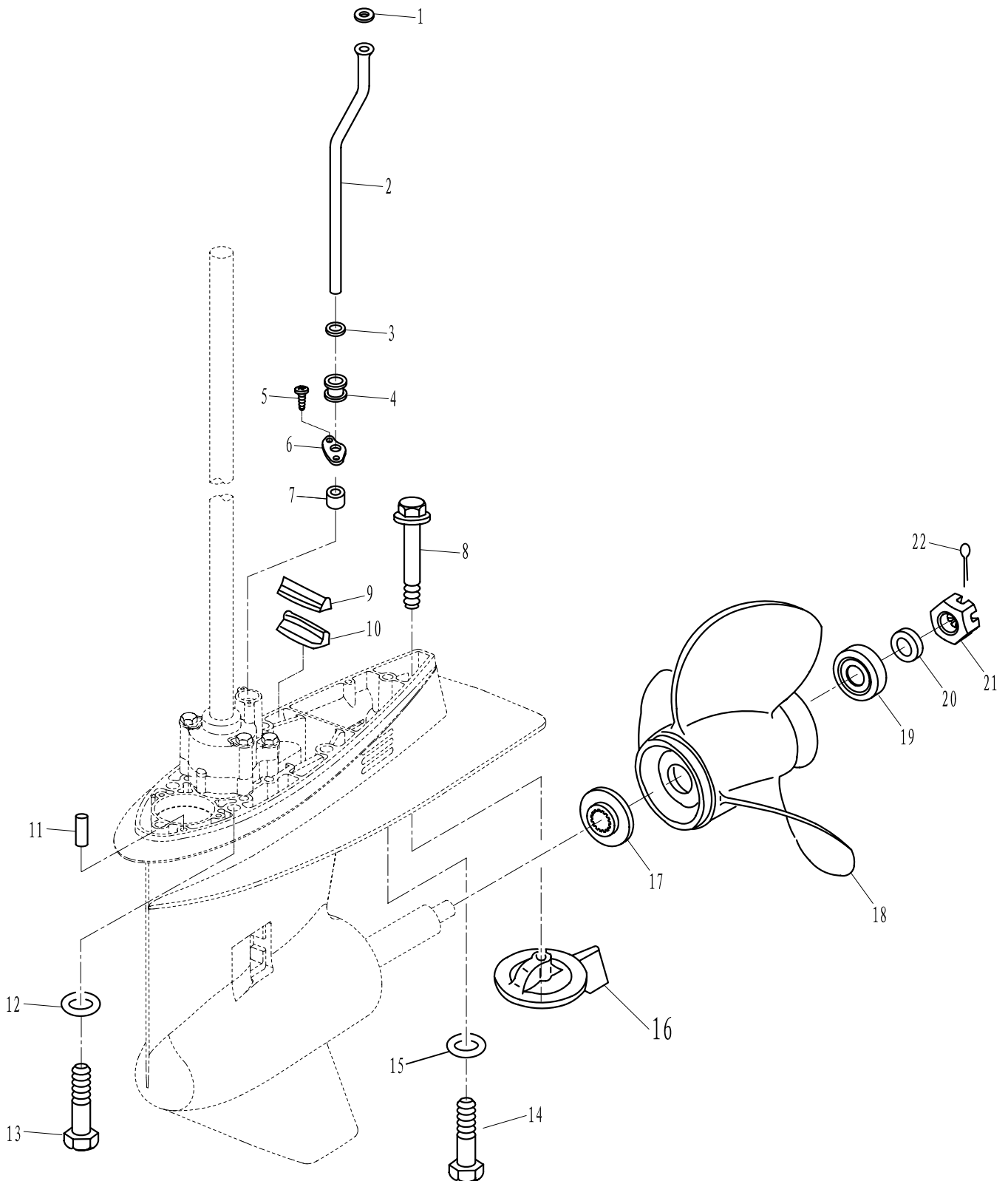
SN. 参照号码	PART NO. 零件编号	DESCRIPTION 零件名称(中文)	DESCRIPTION 零件名称(英文)	QTY 数量					REMARKS 备注
1	GB/T5782-M8x50	六角螺栓 M8x50	BOLT M8x50	2					
2	T40-04000012	水泵壳体压板	PLATE, WATER PUMP	4					
3	GB/T5782-M8x70	六角螺栓 M8x70	BOLT M8x70	2					
4	T85-04000401	水泵壳体	SHELL , WATER PUMP	1					
5	T85-04000402	水泵内壳	INNER SHELL, WATER PUMP	1					
6	T85-04000300	水泵叶轮	IMPELLER, WATER PUMP	1					
7	F25-04000007	定位销Φ4x10	DOWEL PIN Φ4x10	2					
8	T85-04000017	外挡板上密封垫	UPPER GASKET, OUTER PLATE	1					
9	T85-04000016	外挡板	OUTER PLATE	1					
10	T85-04000015	外挡板下密封垫	LOWER GASKET, OUTER PLATE	1					
11	T85-04000200	水泵座组件	WATER PUMP BASE ASSY	1					
12	T85-04000201	水泵座	BASE, WATER PUMP	1					
13	T85-04000204	水泵座O形圈46.7x3.1	O-RING, WATER PUMP BASE	1					
14	T85-04000202	水泵座油封 25x40x6	OIL SEAL 25x40x6	4					
15	T85-04000203	油封挡圈	CIRCLIP, OIL SEAL	1					
16	T85-04000014	水泵座密封垫	GASKET, WATER PUMP BASE	1					
17	T85-04010000	驱动轴组件	DRIVE SHAFT ASSY	1					L
	T85-04010000X	驱动轴组件X	DRIVE SHAFT ASSY (X)	1					X
18	T85-04000018	叶轮半圆键	SEMICIRCULAR KEY	1					
19	L44649 H1-CAP KOYO	驱动轴圆锥滚子轴承	ROLLER BEARING	1					
20	T85-04000003-1	驱动轴填隙片(t: 0.10毫米)	SHIM(t: 0.10mm)						
	T85-04000003-2	驱动轴填隙片(t: 0.12毫米)	SHIM(t: 0.12mm)						
	T85-04000003-3	驱动轴填隙片(t: 0.15毫米)	SHIM(t: 0.15mm)						
	T85-04000003-4	驱动轴填隙片(t: 0.18毫米)	SHIM(t: 0.18mm)						
	T85-04000003-5	驱动轴填隙片(t: 0.30毫米)	SHIM(t: 0.30mm)						
	T85-04000003-6	驱动轴填隙片(t: 0.40毫米)	SHIM(t: 0.40mm)						
	T85-04000003-7	驱动轴填隙片(t: 0.50毫米)	SHIM(t: 0.50mm)						
21	T85-04000002	长尼龙套管	BUSHING , NYLON	1					
22	NSK 1620	滚针轴承	QUILL BEARING	1					
23	GB/T5783-M6x16	六角螺栓 M6x16	BOLT M6x16	2					
24	GB/T97.1-6	平垫圈6	WASHER 6	2					
25	T85-04000011	变档凸轮油封9x19x5	OIL SEAL 9x19x5, CAM SHAFT	1					
26	T85-04000009	变档凸轮盖板	PLATE, CAM SHAFT	1					
27	JASO F404 31-50	盖板O型圈49.4x3.1	O-RING 49.4x3.1	1					
28	GB/T896-8	开口挡圈 8	CIRCLIP 8	1					
29	T85-04000008	变档凸轮轴	CAMSHAFT	1					
30	F4-03000023	注油孔螺塞	PLUG, HOLE OIL	1					
31	F4-03000024	注油孔螺塞垫	GASKET	2					
32	GB/T889.1-M5	非金属嵌件六角锁紧螺母M5	LOCKING NUT M5	1					
33	T85-04000023	进水口B	WATER INLET B	1					
34	F25-04000031	放油螺塞	PLUG, OIL RELEASE	1					
35	T85-04000001	水下装置壳体	LOWER CASING	1					
36	T85-04000006	小齿轮螺母	NUT, PINION	1					

零部件名称:

水下装置壳体 & 驱动系统 II

PARTS NAME:

LOWER CASING & DRIVE II

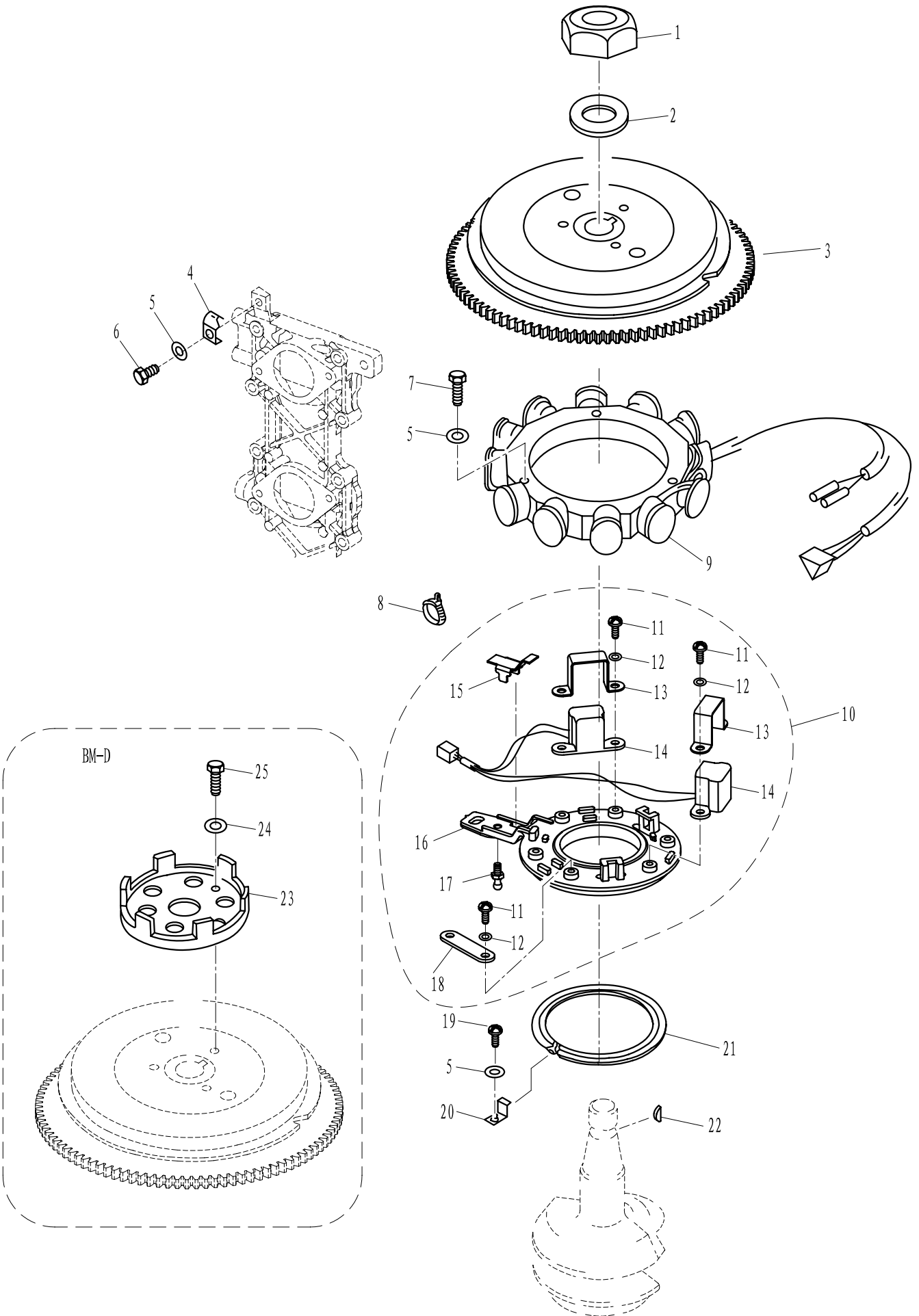


零部件名称:

电气系统 I

PARTS NAME:

ELECTRICAL SYSTEM I

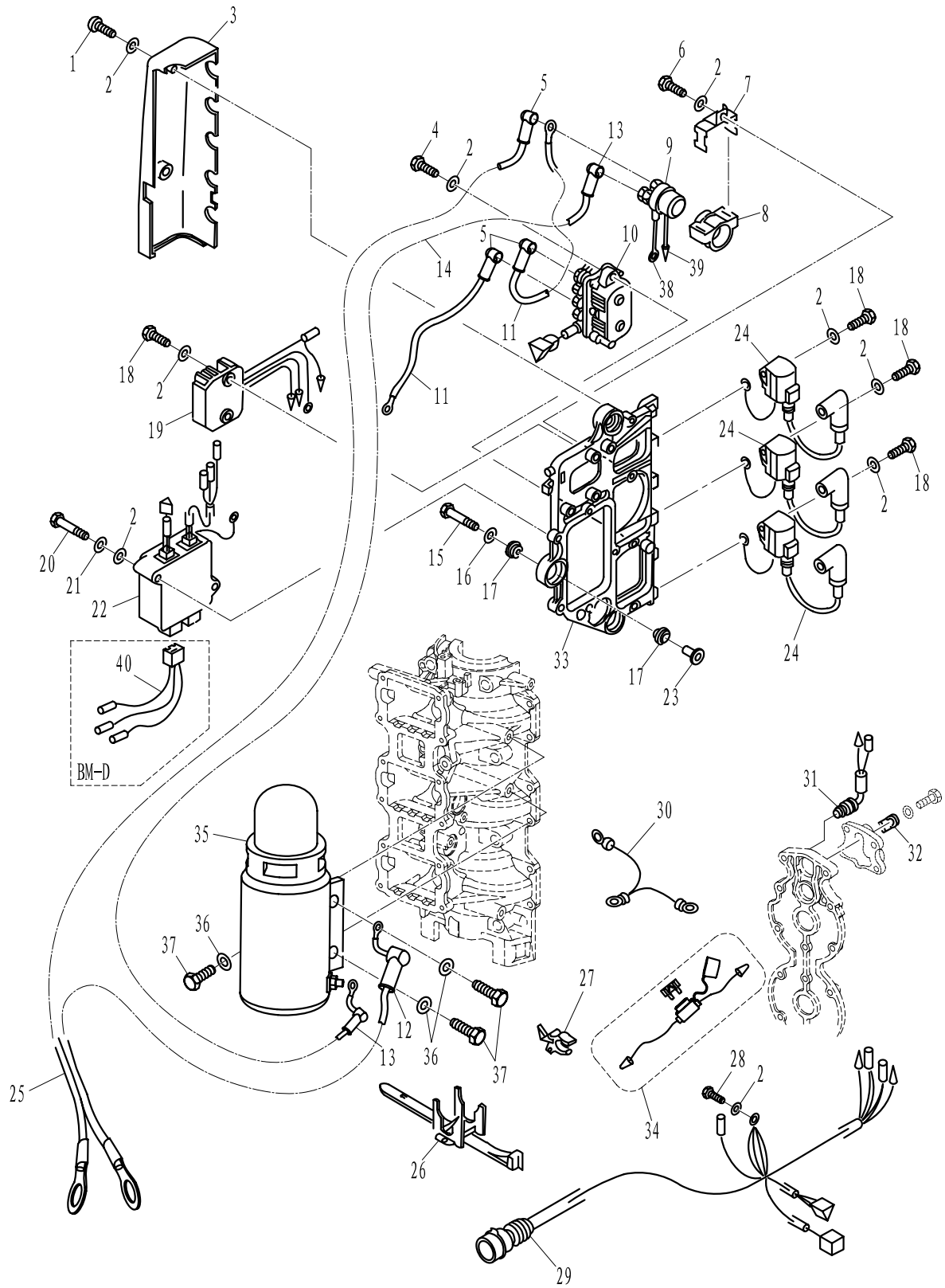


零部件名称:

电气系统 II

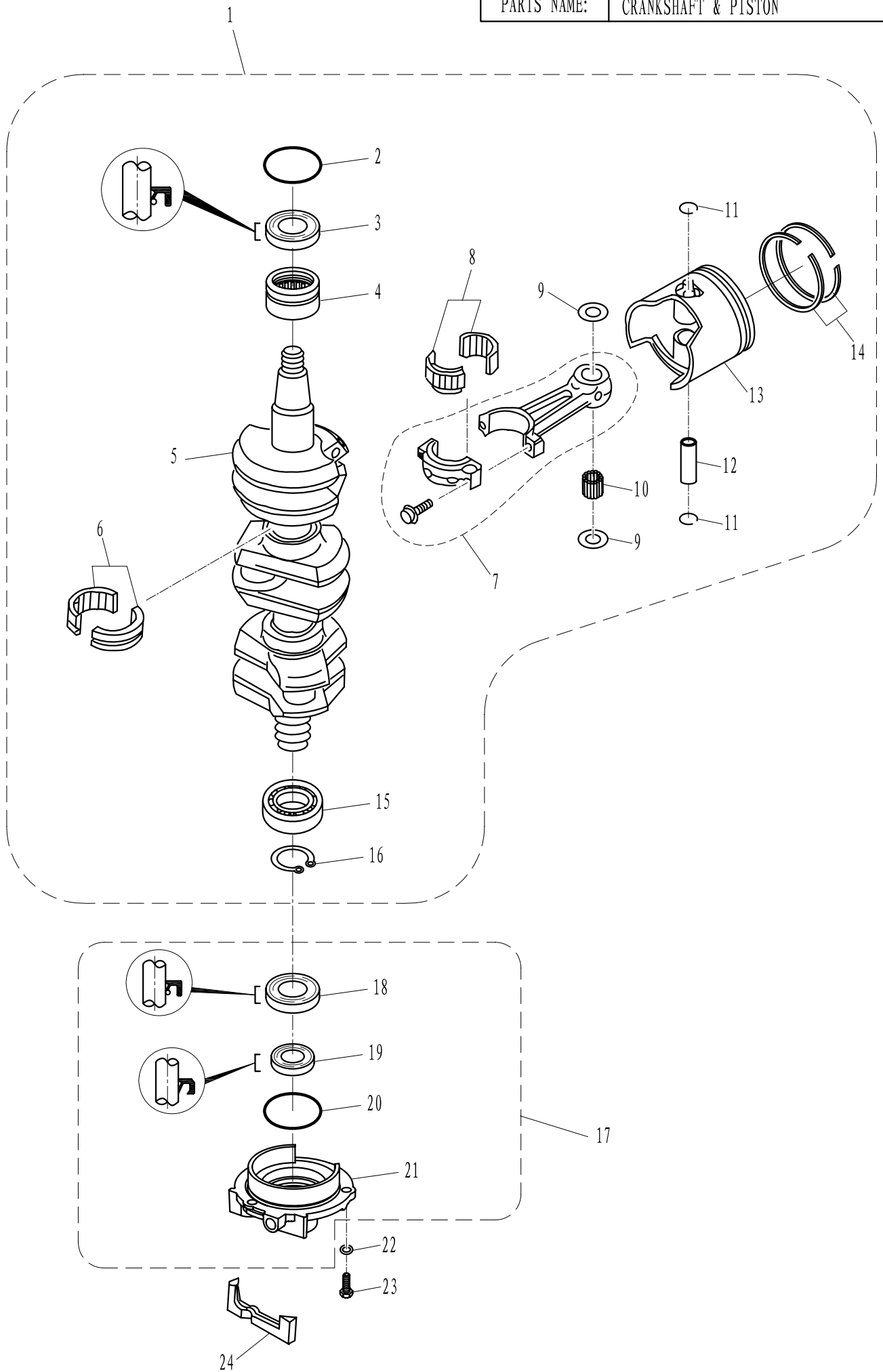
PARTS NAME:

ELECTRICAL SYSTEM II



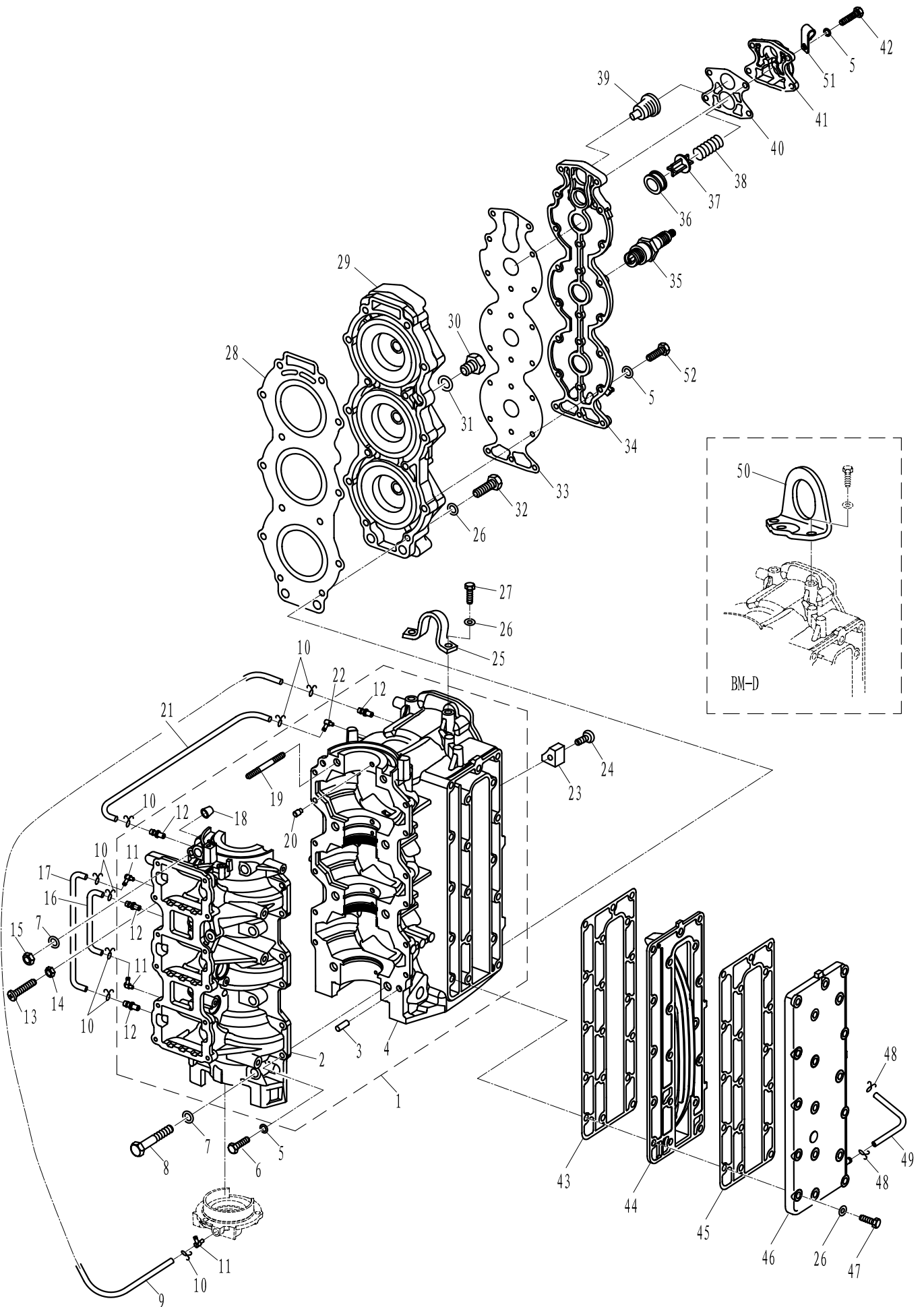
零部件名称: 曲轴&活塞

PARTS NAME: CRANKSHAFT & PISTON



零部件名称: 曲轴箱

PARTS NAME: CRANKCASE



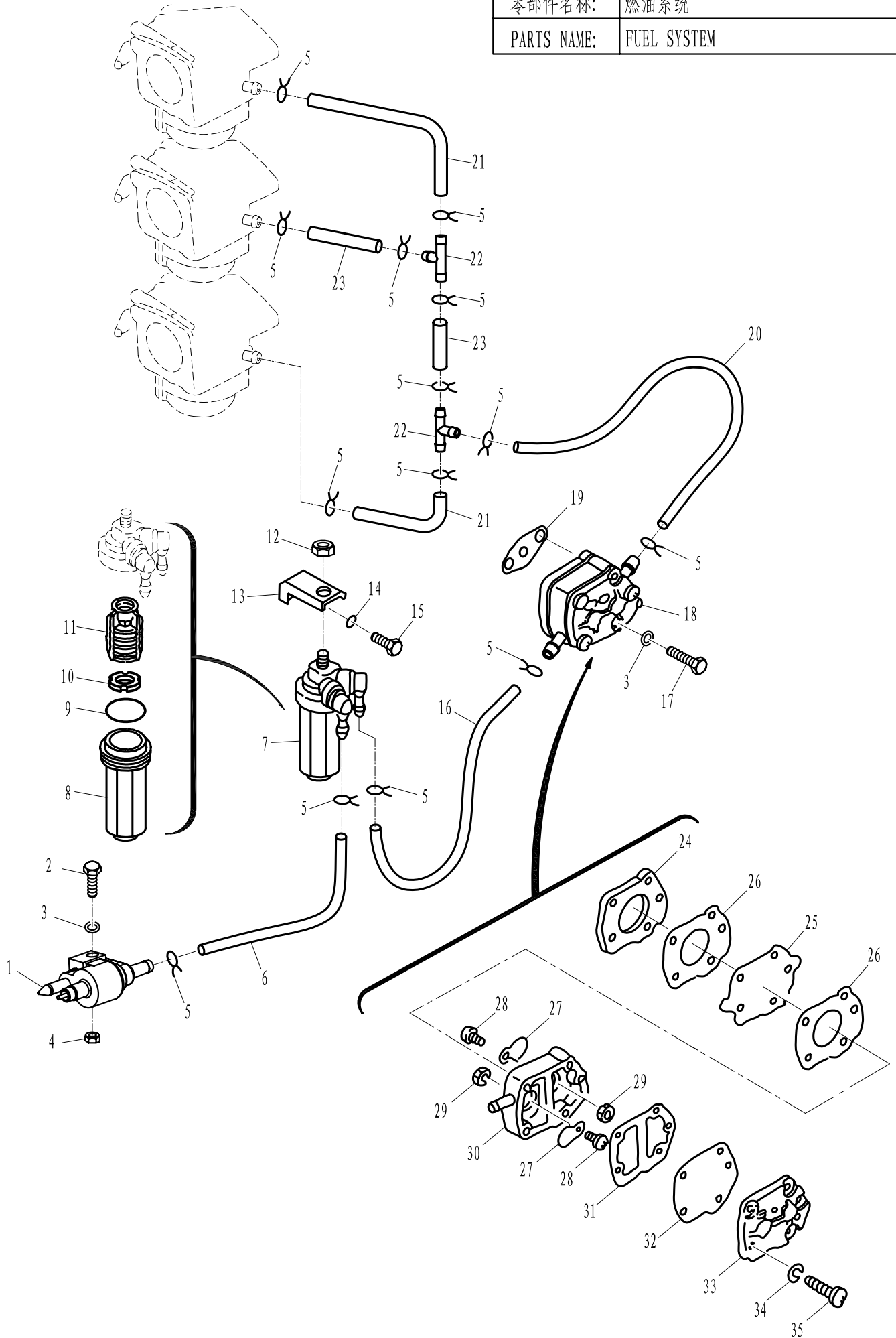
零部件名称: 曲轴箱

PARTS NAME: CRANKCASE

SN. 参照号码	PART NO. 零件编号	DESCRIPTION 零件名称(中文)	DESCRIPTION 零件名称(英文)	QTY 数量					REMARKS 备注
1	T85-05010000	机体机座组件	CRANKCASE ASSY	1					
2	T85-05010201	机座	CRANKCASE	1					
3	F25-00000014	定位销Φ8x12	DOWEL PIN Φ8x12	2					
4	T85-05010101	机体	CYLINDER CASE	1					
5	GB/T97.1-6	平垫圈 6	WASHER 6	34					
6	F8-05000022	六角螺栓 M6x25	BOLT M6x25	12					
7	GB/T97.1-10	平垫圈 10	WASHER 10	8					
8	T40-05000030	六角螺栓 M10x1.25x55	BOLT M10x1.25x55	6					
9	T85-05020010	回油管D Φ3xΦ7x470	OIL PIPE D Φ3xΦ7x470	1					
10	T15-04000013	油管夹簧 C	CLIP SPRING C, OIL PIPE	8					
11	T85-05010300	回油嘴组件	OIL NIPPLE ASSY	3					
12	T40-05000202	气嘴A	GAS NIPPLE A	4					
13	GB/T818-M6x65	十字槽盘头螺钉 M6x65	BOLT M6x65	1					
14	GB/T6170-M6	六角螺母 M6	NUT M6	1					
15	T85-05010008	六角螺母 M10x1.25	NUT M10x1.25	2					
16	T85-05010003	回油管A Φ3xΦ7x105	OIL PIPE A Φ3xΦ7x105	1					
17	T85-05010004	回油管B Φ3xΦ7x185	OIL PIPE B Φ3xΦ7x185	1					
18	T15-04130103	螺母护盖	CAP, NUT	1					
19	T85-05010001	双头螺栓 M10x1.25x55	SCREW STUD M10x1.25x55	2					
20	T85-05010006	曲轴定位销	DOWEL PIN, CRANKCASE	3					
21	T85-05010005	回油管C Φ3xΦ7x210	OIL PIPE C Φ3xΦ7x210	1					
22	T85-05010400	气嘴组件B	GAS NIPPLE ASSY B	1					
23	T85-05010007	机体阳极	ANODE, CYLINDER CASE	2					
24	GB/T819.2-M4x15	十字槽沉头螺钉 M4x15	BOLT M4x15	2					
25	T85-05000017	发动机悬挂钩	HANGING HOOK, ENGINE	1					
26	GB/T97.1-8	平垫圈 8	WASHER 8	34					
27	GB/T5783-M8x20	六角螺栓 M8x20	BOLT M8x20	2					
28	T85-05000001	缸头复合垫	GASKET, CYLINDER HEAD	1					
29	T85-05000002	气缸盖	CYLINDER COVER	1					
30	F15-04000002	放油螺塞	PLUG, DRAIN OIL	1					
31	T85-05000003	放油密封垫	GASKET	1					
32	T15-04000031	机体螺栓 M8x60	BOLT M8x60	14					
33	T85-05000005	气缸外盖密封垫	GASKET, CYLINDER COVER	1					
34	T85-05000006	气缸外盖	OUTER COVER, CYLINDER	1					
35	BPR7HS	火花塞	SPARK PLUG	3					
36	T85-05000007	压力阀密封圈	SEAL, PRESSURE VALVE	1					
37	T85-05000008	压力阀芯	CORE, PRESSURE VALVE	1					
38	T85-05000009	压力阀弹簧	SPRING, PRESSURE VALVE	1					
39	T15-04000010	节温器	THERMOSTAT	1					
40	T85-05000010	节温器密封垫	GASKET, THERMOSTAT	1					
41	T85-05000011	节温器盖	COVER, THERMOSTAT	1					
42	GB/T5783-M6x35	六角螺栓 M6x35	BOLT M6x35	4					
43	T85-05000013	排气内盖密封垫	GASKET, INNER COVER	1					

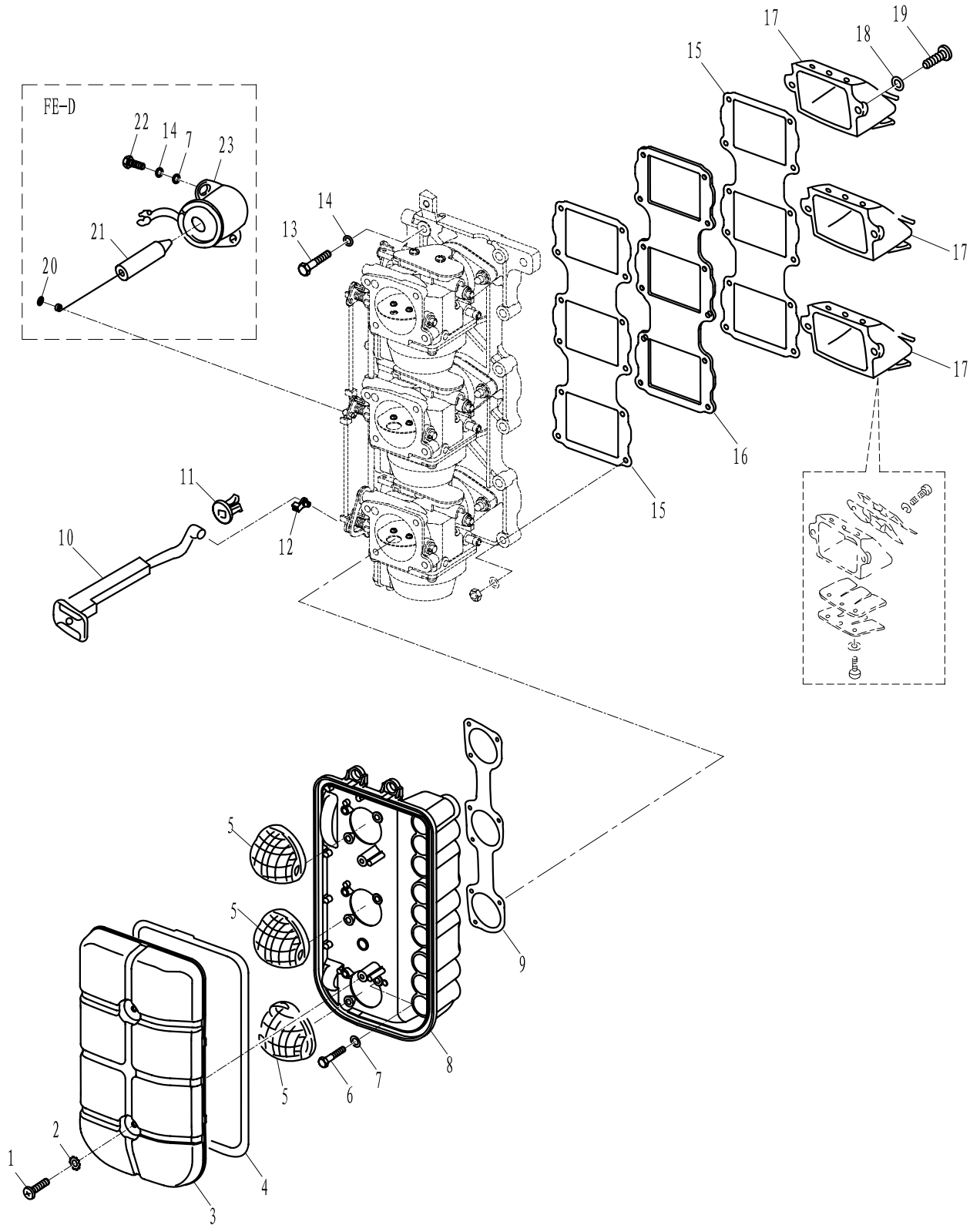
零部件名称: 燃油系统

PARTS NAME: FUEL SYSTEM



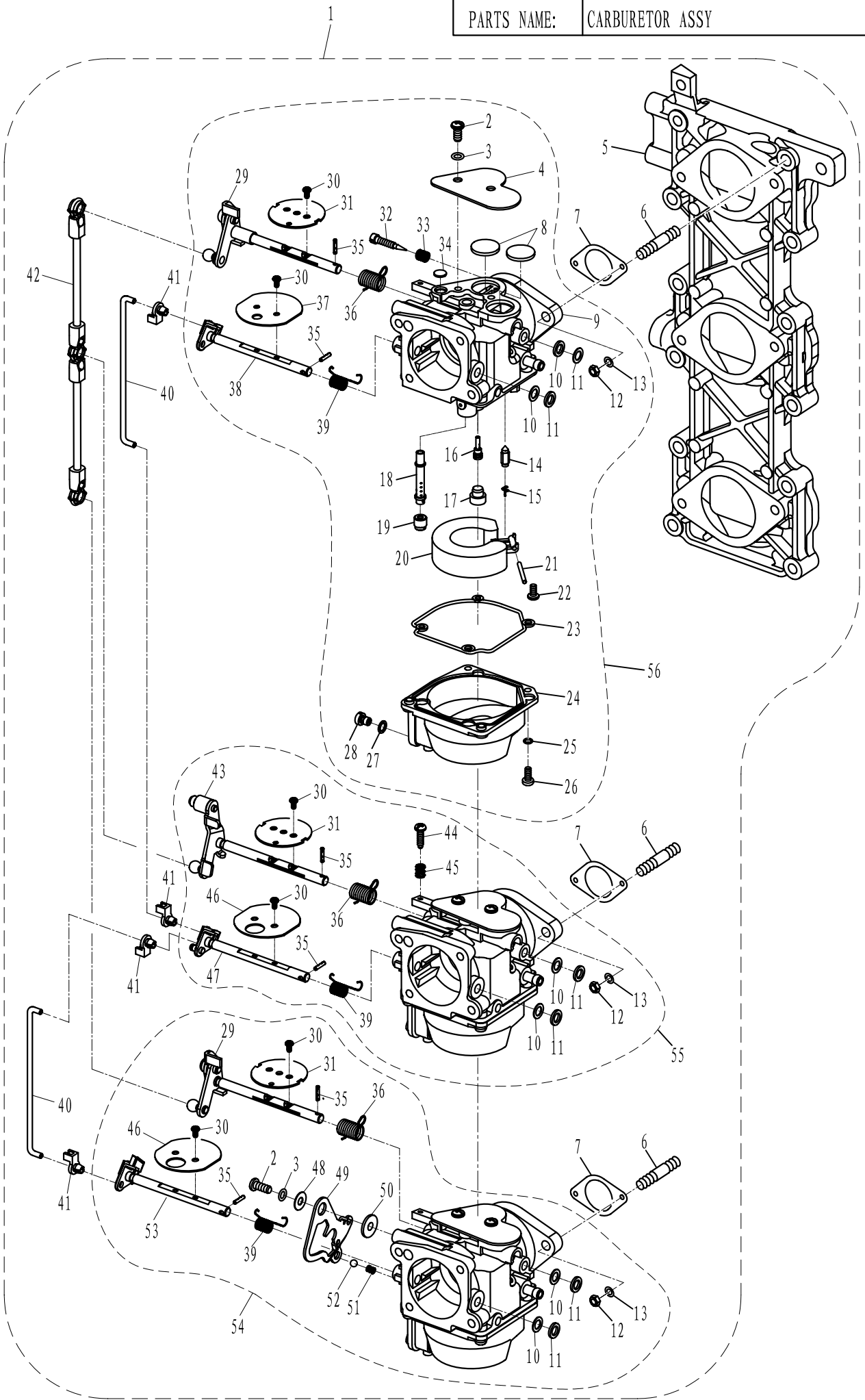
零部件名称: 进气系统

PARTS NAME: INTAKE SYSTEM



零部件名称: 化油器总成

PARTS NAME: CARBURETOR ASSY



零部件名称:

化油器总成

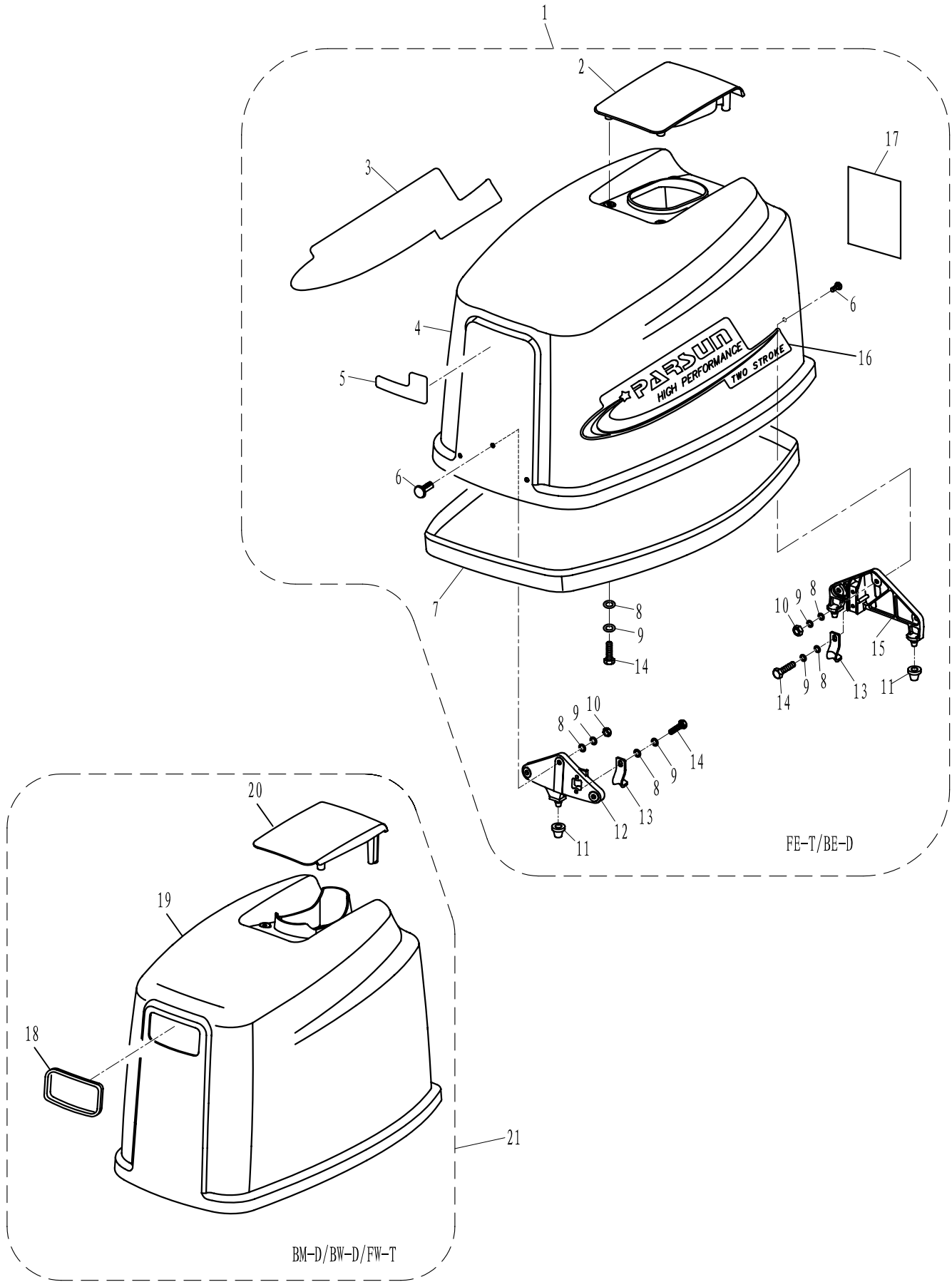
PARTS NAME:

CARBURETOR ASSY

SN. 参照号码	PART NO. 零件编号	DESCRIPTION 零件名称(中文)	DESCRIPTION 零件名称(英文)	QTY 数量					REMARKS 备注
1	T85-05160200	化油器总成	CARBURETOR ASSY	1					
2	GB/T818-M5x10	十字槽盘头螺钉 M5x10	SCREW M5x10	7					
3	GB/T93-5	弹性垫圈 5	SPRING-WASHER 5	7					
4	T85-05160204	面板	PLATE	3					
5	T85-05060001	进气歧管	INTAKE MANIFOLD	1					
6	T85-05060029	双头螺柱	SCREW STUD	6					
7	T85-05060004	化油器密封垫	GASKET, CARBURETOR	3					
8	T85-05160202	橡胶垫片A	RUBBER WASHER A	6					
9	T85-05160201	化油器本体	CARBURETOR BODY	3					
10	T85-05160212	摆杆尼龙垫圈	NYLON WASHER, SWING BAR	6					
11	T85-05160213	摆杆垫圈	WASHER, SWING BAR	6					
12	GB/T6170-M6	六角螺母 M6	NUT M6	6					
13	GB/T93-6	弹性垫圈 6	SPRING-WASHER 6	6					
14	T85-05160219	针阀	NEEDLE VALVE	3					
15	T85-05160220	针阀弹簧	SPRING, NEEDLE VALVE	3					
16	T85-05160224	怠速量孔	JET, AIR ADJUSTING	3					
17	T85-05160225	胶帽	RUBBER CAP	3					
18	T85-05160223	主喷管	MAIN NOZZLE	3					
19	T85-05160222	主量孔	MAIN JET	3					
20	T85-05160218	浮子	FLOAT	3					
21	T85-05160221	浮子销	PIN, FLOAT	3					
22	GB/T818-M4x8	十字槽盘头螺钉 M4x8	SCREW M4x8	3					
23	T85-05160217	油杯密封圈	SEAL, OIL CUP	3					
24	T85-05160226	油杯	OIL CUP	3					
25	GB/T93-4	弹性垫圈 4	SPRING-WASHER 4	12					
26	GB/T818-M4x14	十字槽盘头螺钉 M4x14	SCREW M4x14	12					
27	T85-05160228	放油螺塞垫圈	GASKET, DRAIN SCREW	3					
28	T85-05160227	放油螺塞	DRAIN SCREW	3					
29	T85-05160207	油门摆杆A组件	ACCELERATOR BAR "A" ASSY	2					
30	GB/T818-M3x6	十字槽盘头螺钉 M3x6	BOLT M3x6	12					
31	T85-05160211	油门挡板	APRON, ACCELERATOR	3					
32	T85-05160205	怠速螺钉	SCREW, AIR ADJUSTING	3					
33	T85-05160206	怠速螺钉弹簧	SPRING, AIR ADJUSTING	3					
34	T85-05160203	橡胶垫片B	RUBBER WASHER B	3					
35	GB/T879. 2-2x10	轻型直槽弹性圆柱销 2x10	PIN 2x10	6					
36	T85-05160210	油门摆杆扭簧	SPRING, SWING LINK	3					
37	T85-05160216	阻风门挡板 A	APRON A, AIR CHOKE	1					
38	T85-05160214	阻风门摆杆A组件	SWING LINK "A" ASSY, AIR CHOKE	1					
39	T85-05160215	阻风门扭簧	SPRING, AIR CHOKE	3					
40	T85-05160234	阻风门连杆	CONNECTING ROD, AIR CHOKE	2					
41	F15-07000016	油门控制器连杆接头	TIE-IN, CONNECTING ROD	4					
42	T85-05160231	化油器连杆	CONNECTING ROD, CARBURETOR	1					
43	T85-05160230	油门摆杆B组件	ACCELERATOR BAR "B" ASSY	1					

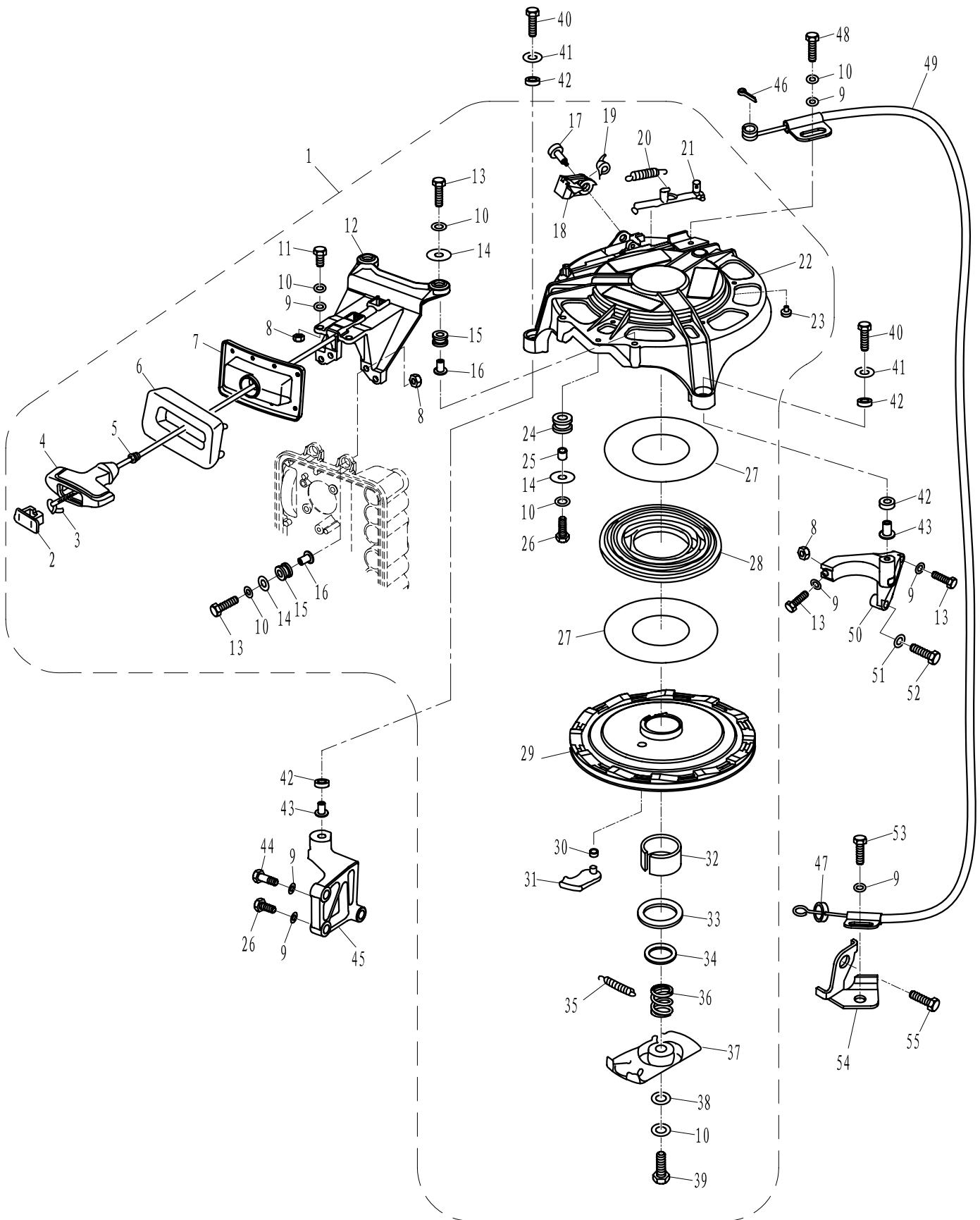
零部件名称: 顶罩组件

PARTS NAME: TOP COWLING ASSY



零部件名称: 启动器 (手操)

PARTS NAME: STARTER (MANUAL CONTROL)



零部件名称:

启动器(手操)

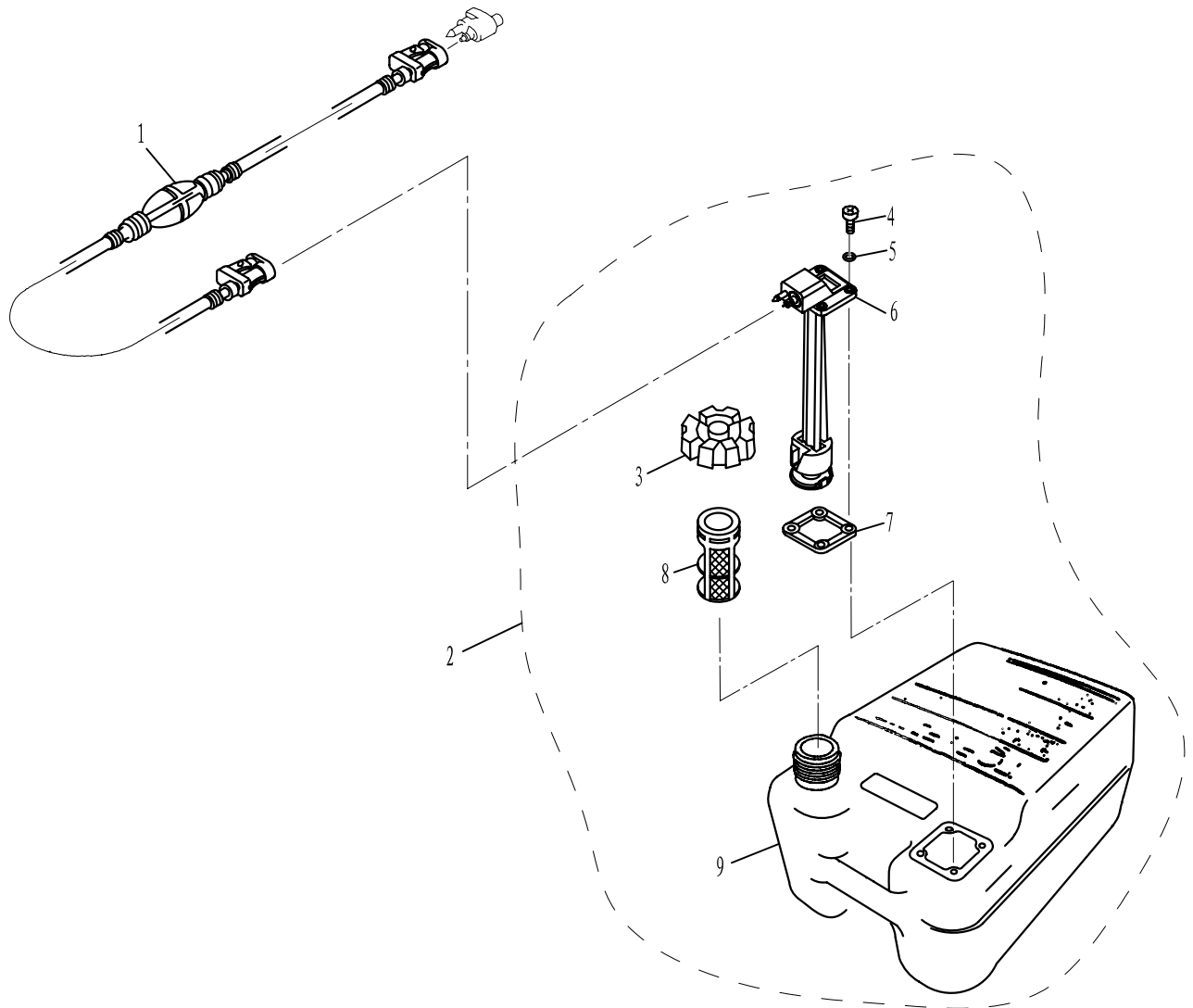
PARTS NAME:

STARTER (MANUAL CONTROL)

SN. 参照号码	PART NO. 零件编号	DESCRIPTION 零件名称(中文)	DESCRIPTION 零件名称(英文)	QTY 数量					REMARKS 备注
1	T85-05070000	启动器组件	STARTER ASSY	1					
2	F4-04130102	启动手柄盖	COVER, HANDLE	1					
3	T85-05070023	启动绳(Φ5.5x2.4米)	START LINE	1					
4	F25-05160501	启动手柄	HANDLE, STARTER	1					
5	F25-05160021	手柄减震圈	DAMPER, HANDLE	1					
6	T85-05070005	发泡密封圈	SEAL, FROTHY RUBBER	1					
7	T85-05070004	导向器	GUIDE, STARTER	1					
8	GB/T6170-M6	六角螺母 M6	NUT M6	5					
9	GB/T97.1-6	平垫圈6	WASHER 6	9					
10	GB/T93-6	弹性垫圈6	SPRING WASHER 6	7					
11	GB/T5783-M6x20	六角螺栓 M6x20	BOLT M6x20	2					
12	T85-05070003	启动器连接件	CONNECT PIECE, STARTER	1					
13	GB/T5783-M6x30	六角螺栓 M6x30	BOLT M6x30	4					
14	GB/T96-6	大垫圈6	BIG WASHER 6	5					
15	T40-05000029	点火器减震圈	WASHER, DAMPING	4					
16	T40-05000028	点火器垫管	TUBE, DAMPING	4					
17	T85-05070008	卡瓣螺钉	BOLT, PAWL	1					
18	T85-05070006	制动器卡瓣	PAWL, ARRESTER	1					
19	T85-05070007	制动器扭簧	WRING SPRING, ARRESTER	1					
20	T85-05070010	制动器拉簧	TENSE SPRING, ARRESTER	1					
21	T85-05070009	制动器滑板	SLIP PLATE, ARRESTER	1					
22	T85-05070001	启动器外壳	CASE, STARTER	1					
23	T85-05070002	启动器减磨销	PIN, STARTER	5					
24	T40-05110002	启动器滑轮	BLOCK, STARTER	1					
25	T40-05110003	滑轮衬管	TUBE, BLOCK	1					
26	GB/T5783-M6x25	六角螺栓 M6x25	BOLT M6x25	3					
27	T85-05070011	减磨片	ANTIFRICTION WASHER	2					
28	T85-05070012	涡形弹簧	SPRING, VOLUTE	1					
29	T85-05070014	启动轮	WHEEL, START-UP	1					
30	T85-05070016	卡瓣衬圈	WASHER, PAWL	1					
31	T85-05070015	启动卡瓣组件	DRIVEN PAWL ASSY	1					
32	T85-05070013	启动器衬套	BUSH, STARTER	1					
33	T85-05070017	启动轮限位板	LIMITED PLATE, START WHEEL	1					
34	T85-05070018	限位板卡簧	SPRING, LIMITED PLATE	1					
35	T85-05070020	压板拉簧	TENSE SPRING, PLATE	1					
36	T85-05070019	压板弹簧	SPRING, PLATE	1					
37	T85-05070021	压板	PLATE	1					
38	T85-05070022	压板垫片	GASKET, PLATE	1					
39	GB/T5783-M6x16	六角螺栓 M6x16	BOLT M6x16	1					
40	GB/T5783-M8x35	六角螺栓 M8x35	BOLT M8x35	3					
41	GB/T96-8	大垫圈8	BIG WASHER 8	3					
42	T40-05000027	启动器减震圈	DAMPING WASHER, STARTER	6					
43	T36-04050006	启动器垫管	TUBE, STARTER	3					

零部件名称: 燃油箱

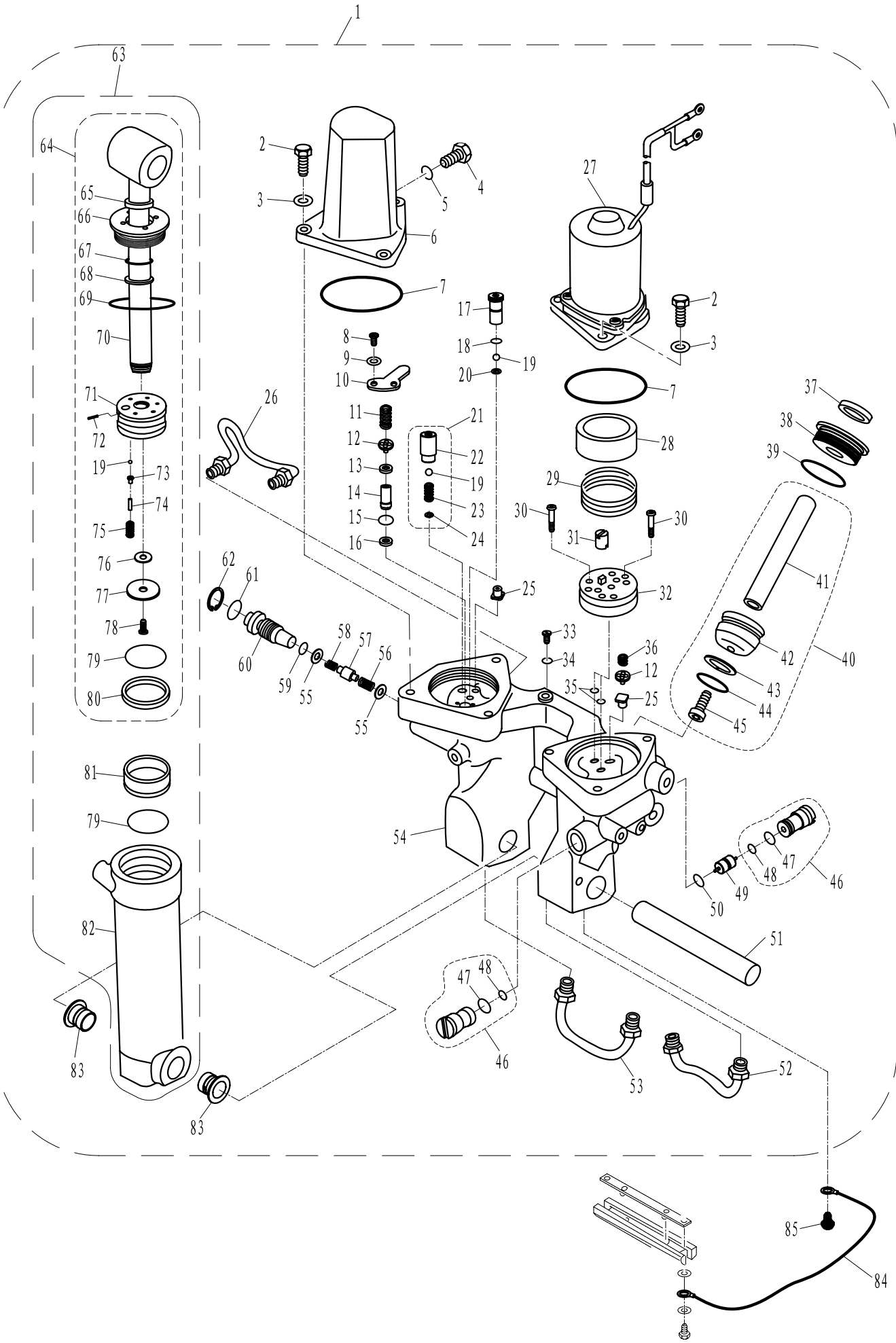
PARTS NAME: FUEL TANK



SN. 参照号码	PART NO. 零件编号	DESCRIPTION 零件名称(中文)	DESCRIPTION 零件名称(英文)	QTY 数量					REMARKS 备注
1	F15-09000000	油管总成	OIL TUBE ASSY	1					
2	F15-10000000	油箱组件	FUEL TANK ASSY	1					
3	F15-10010000	油箱盖组件	COVER ASSY, FUEL TANK	1					
4	GB/T818-M5x16	十字槽盘头螺钉M5x16	SCREW , PAN HEAD M5x16	4					
5	GB/T97.1-5	平垫圈5	WASHER 5	4					
6	F15-10020000	油量表总成	OLEOMETER ASSY	1					
7	F15-10000003	衬垫	GASKET	1					
8	F15-10000002	油箱滤网	STRAINER	1					
9	F15-10000001	油箱本体	FUEL TANK	1					

零部件名称: 液压起翘系统

PARTS NAME: HYDRAULIC TILT ASSY



零部件名称:

液压起翘系统

PARTS NAME:

HYDRAULIC TILT ASSY

SN. 参照号码	PART NO. 零件编号	DESCRIPTION 零件名称 (中文)	DESCRIPTION 零件名称 (英文)	QTY 数量					REMARKS 备注
1	T85-0600000	液压起翘组件	POWER TRIM&TILT ASSY	1					
2	GB/T5783-M6x20	六角螺栓 M6x20	BOLT M6x20	6					
3	GB/T93-6	弹性垫圈 6	SPRING-WASHER 6	6					
4	T85-06010009	放油螺钉	BOLT, OIL DRAIN	1					
5	JASO F404 19-009	放油螺钉O形圈	O-RING, OIL DRAIN BOLT	1					
6	T85-06000007	储油杯	OIL CUP	1					
7	T85-06000006	油杯O形圈 $\phi 67.8 \times 3.1$	O-RING $\phi 67.8 \times 3.1$	2					
8	GB/T818-M5x10	十字槽盘头螺钉 M5x10	SCREW M5x10	2					
9	GB/T97.1-5	平垫圈 5	WASHER 5	2					
10	T85-06010007	弹性挡板	BAFFLE-PLATE	1					
11	T85-06010206	上升安全阀弹簧	SPRING, SAFETY VALVE	1					
12	T85-06010205	阀门支座	SUPPORT, VALVE	2					
13	T85-06010204	阀门密封件	SEAL, VALVE	1					
14	T85-06010203	安全阀座	SEAT, SAFETY VALVE	1					
15	JIS FG11.2	安全阀座O形圈 $\phi 10.7 \times 1.5$	O-RING $\phi 10.7 \times 1.5$	1					
16	T85-06010201	过滤器	FILTER	1					
17	T85-06010301	低压阀螺钉	SCREW, LOW-PRESSURE VALVE	1					
18	JIS FG6	低压阀O形圈	O-RING, LOW-PRESSURE VALVE	1					
19	T85-06020202	轴承钢珠 4	BALL 4	8					
20	T85-06010303	钢珠托架	TRAY, STEEL BALL	1					
21	T85-06010400	单向阀组件	CHECK VALVE ASSY	1					
22	T85-06010401	单向阀本体	CHECK VALVE	1					
23	T85-06010402	单向阀弹簧	SPRING, CHECK VALVE	1					
24	T85-06010403	防松止圈	THRUST WASHER	1					
25	T85-06010207	气门密封件	SEAL, MAIN VALVE	2					
26	T85-06000300	输油管C组件	OIL PIPE "C" ASSY	1					
27	T85-06030000	起翘电机	TILT MOTOR	1					
28	T85-06000004	油泵过滤器	FILTER, OIL PUMP	1					
29	T85-06000005	油泵过滤器弹簧	SPRING, FILTER	1					
30	GB/T70.1-M4x25	内六角螺钉 M4x25	BOLT M4x25	4					
31	T85-06000003	油泵连接器	CONNECTOR, OIL PUMP	1					
32	T85-06010700	齿轮泵	GEAR PUMP	1					
33	T85-06010011	注油螺塞	BOLT	1					
34	JASO F404 19-007	注油螺塞O形圈	O-RING, BOLT	1					
35	JIS FG 6	齿轮泵O形圈	O-RING, GEAR PUMP	2					
36	T85-06010003	下降安全弹簧	SPRING	1					
37	T85-06010106	推杆油封"B" 16x24x5	OIL SEAL "B"	2					
38	T85-06010105	配平活塞螺母	PISTON NUT	2					
39	JASOF 404 35-039	配平活塞螺母O形圈	O-RING, PISTON NUT	2					
40	T85-06010100	配平活塞组件	TRIM PISTON ASSY	2					
41	T85-06010102	配平活塞推杆	ROD, TRIM PISTON	2					
42	T85-06010101	配平活塞	TRIM PISTON	2					
43	JISB 2407-P32T2	O形圈挡圈 P32T2	CIRCLIP, O-RING	2					

零部件名称:

液压起翘系统

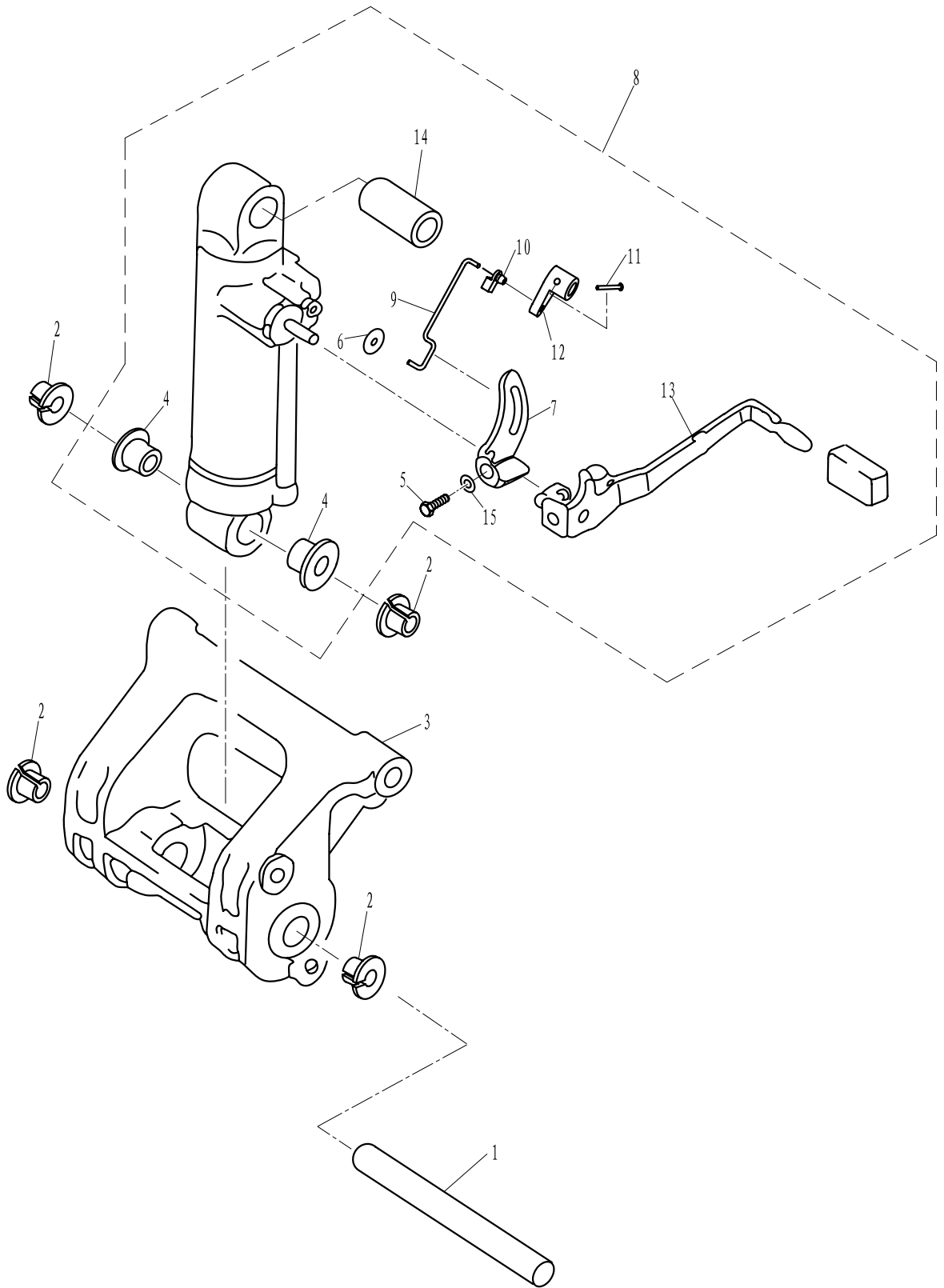
PARTS NAME:

HYDRAULIC TILT ASSY

SN. 参照号码	PART NO. 零件编号	DESCRIPTION 零件名称 (中文)	DESCRIPTION 零件名称 (英文)	QTY 数量					REMARKS 备注
44	JISB 2401-P32	配平活塞O形圈	O-RING, TRIM PISTON	2					
45	GB/T70.1-M8x16	内六角圆柱头螺钉 M8x16	BOLT M8x16	2					
46	T85-06010503	主阀门组件	MIAN VALVE ASSY	2					
47	JASB 2401 P12.5	主阀门O形圈 P12.5	O-RING, MIAN VALVE	2					
48	JIS FG12	过滤器座O形圈 FG12	O-RING	2					
49	T85-06010501	滑梭活塞	SHUTTLE PISTON	1					
50	JASO F404 19-009	滑梭活塞O形圈8.8x1.9	O-RING, SHUTTLE PISTON	1					
51	T85-06000002	定位气缸销轴	SHAFT, LOCATING CYLINDER	1					
52	T85-06000200	输油管B组件	OIL PIPE "B" ASSY	1					
53	T85-06000100	输油管A组件	OIL PIPE "A" ASSY	1					
54	T85-06010001	倾斜配平气缸体	CYLINDER	1					
55	T85-06010601	气门密封垫圈	WASHER, VALVE	1					
56	T85-06010602	气门密封弹簧	SPRING, VALVE	1					
57	T85-06010603	弹簧支座	SEAT, SPING	1					
58	T85-06010604	手控阀弹簧	SPRING, MANUAL VALVE	1					
59	JIS FG10	手控阀O形圈FG10	O-RING FG10	1					
60	T85-06010606	手控阀本体	VALVE BODY, MANUAL CONTROL	1					
61	JASOF404 24-018	手控阀本体O形圈 17.8x2.4	O-RING 17.8x2.4	1					
62	GB/T893.1-20	孔用弹性挡圈20	CIRCLIP 20	1					
63	T85-06020000	角度定位气缸组件	LOCATING CYLINDER ASSY	1					
64	T85-06021000	角度定位推杆活塞组件	LOCATING ROD&PISTON ASSY	1					
65	T85-06020003	推杆油封A 18x26x5	SEAL "A" 18x26x5	1					
66	T85-06020002	气缸螺母	CYLINDER NUT	1					
67	JISB2407 P18T2	O形圈挡圈P18T2	CIRCLIP P18T2, O-RING	1					
68	JISB2401 P18	气缸螺母O形圈A 17.8x2.4	O-RING "A" 17.8x2.4	1					
69	JIS FG45	气缸螺母O形圈B 44.5x2	O-RING "B"44.5x2	1					
70	T85-06020100	角度定位气缸推杆	ROD, LOCATING CYLINDER	1					
71	T85-06020201	角度定位气缸活塞	PISTON, LOCATING CYLINDER	1					
72	GB/T879.2-Φ1.5x12	轻型直槽弹性圆柱销 Φ1.5x12	PIN Φ1.5x12	1					
73	T85-06020005	弹簧座	SEAT, SPRING	5					
74	T85-06020006	平头滚针Φ2.5x11.8	ROLLER Φ2.5x11.8	5					
75	T85-06020014	活塞压缩弹簧	SPRING, PISTON	5					
76	T85-06020007	活塞垫片 B	WASHER "B", PISTON	1					
77	T85-06020008	活塞垫片 A	WASHER "A", PISTON	1					
78	GB/T2672-M6x10	内六角花型盘头螺钉 M6x10	SCREW M6x10	1					
79	JISB 2401 P39	活塞O形圈38.7x3.5	O-RING	2					
80	JISB 2407 P39T2	O形圈挡圈 P39T2	CIRCLIP P39T2, O-RING	1					
81	T85-06020011	自由活塞	FREE PISTON	1					
82	T85-06020001	角度定位气缸体	POSITIONING CYLINDER	1					
83	T85-06000001	定位气缸尼龙衬套	NYLON BUSHING, POSITIONING CYLINDER	2					
84	T85-01010209	接地钢索B	EARTHING TIGHTWIRE B	1					
85	GB/T5783-M6x10	六角螺栓 M6x10	BOLT M6x10	1					

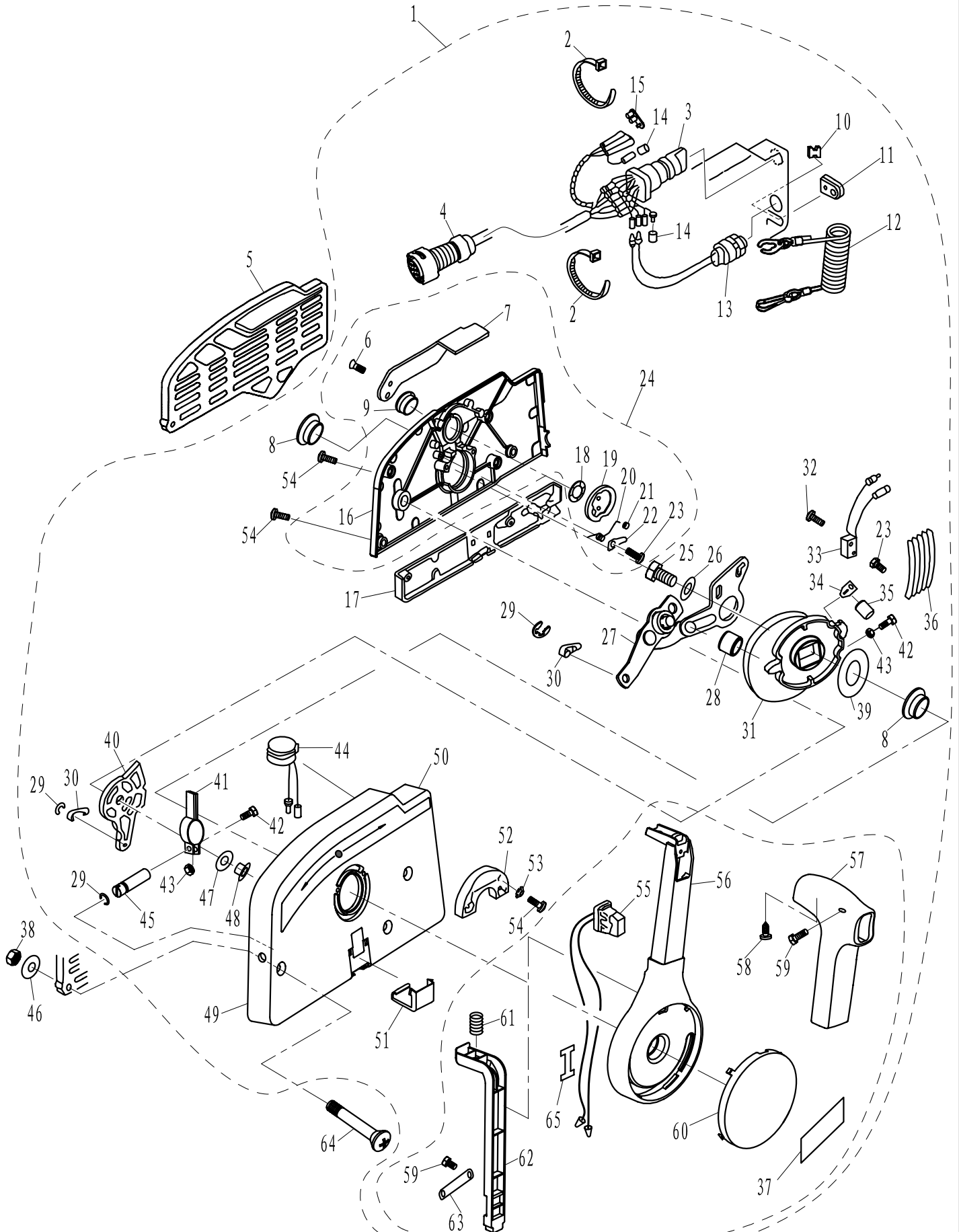
零部件名称: 手动起翘 (手操)

PARTS NAME: MANUAL TILT (MANUAL CONTROL)



零部件名称: 操纵盒组件

PARTS NAME: CONTROL BOX ASSY



零部件名称:

操纵盒组件

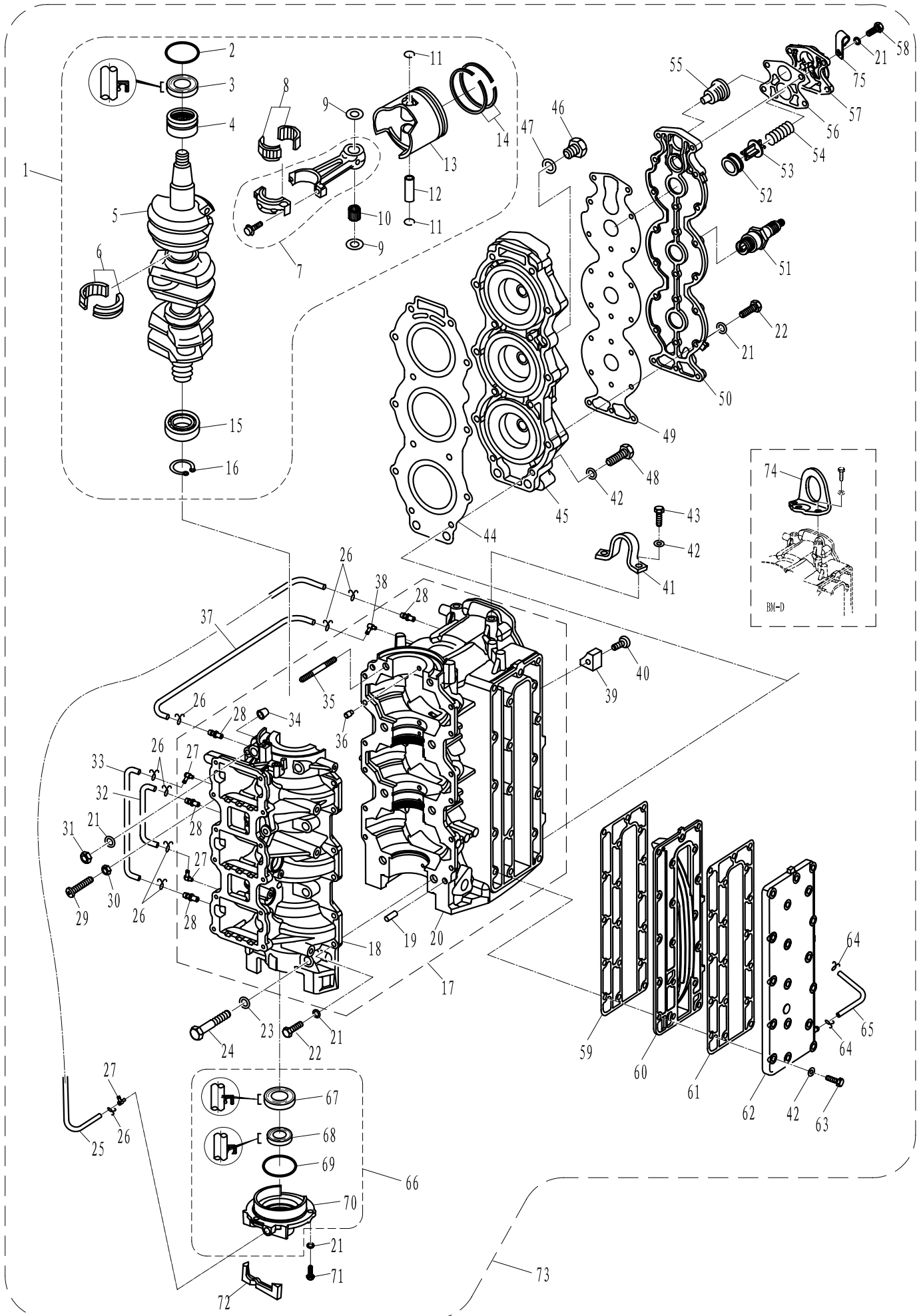
PARTS NAME:

CONTROL BOX ASSY

SN. 参照号码	PART NO. 零件编号	DESCRIPTION 零件名称(中文)	DESCRIPTION 零件名称(英文)	QTY 数量					REMARKS 备注
1	T85-08010000	操纵盒组件	CONTROL BOX ASS'Y	1					
2	HT2.5*60	尼龙扎带	CLAMP	2					
3	F15-13000200W	起动开关组件	STARTING SWICH ASS'Y	1					
4	T85-08010100	操纵线索	CONTROL CABLE	1					
5	F15-11000002W	操纵盒安装板	PLATE ,CONTROL BOX	1					
6	GB/T819.2-M5x12	十字槽沉头螺钉 M5x12	SCREW PAN HEAD M5X12	2					
7	F15-13020007W	油门微调手柄	THROTTLE HANDLE ,INCHING	1					
8	F15-13000005W	凸轮机构衬套	BUSH ,CAM	2					
9	F15-13020006W	微调手柄衬套	BUSH ,HANDLE	1					
10	F15-11000001W	钢索橡胶垫块	BLOCK ,RUBBER	1					
11	F15-13000014W	线索护套	JACKET ,CABLE	1					
12	F4-01090401	引擎停止安全索	STOPER ,HANG ROPE ASS'Y	1					
13	F15-13000400W	急停开关组件	ENGINE STOP SWICH ASS'Y	1					
14	F15-13000203W	绝缘堵头 B	INSULATED PLUG "B"	2					
15	F15-13000202W	绝缘堵头 A	INSULATED PLUG "A"	1					
16	F15-13020001W	操纵盒盖	COVER ,CONTROL BOX	1					
17	F15-13000013W	操纵盒小盖板	SMALL COVER ,CONTROL BOX	1					
18	F15-13020005W	波形垫圈 B	WASHER "B" ,WAVE	1					
19	F15-13020100W	锁紧圆盘组件	LOCKED DISK ASS'Y	1					
20	F15-13020002W	扭簧	TORSION SPRING	1					
21	F15-13020003W	互锁滑轮	EACH LOCKED PULLEY	1					
22	F15-13020004W	滑轮弹簧压板	PLATE ,PULLEY SPRING	1					
23	GB/T818-M4x6	十字槽盘头螺钉M4x6	PAN HEAD SCREW M4X6	2					
24	F15-13020000W	操纵盒盖组件	COVER ASS'Y,CONTROL BOX	1					
25	GB/T5783-M8x30	六角螺栓 M8x30	BOLT M8X30	1					
26	GB/T97.1-8	平垫圈 8	WASHER 8	1					
27	F15-13000500W	油门控制机构	MACHINE ,CONTROL ACCELEROGRAPH	1					
28	F15-13000007W	销轴垫圈	WASHER	1					
29	GB/T896-6	开口挡圈 6	PIN ,COTTER 6	3					
30	F25-07000007W	操控钢索接头 B	CONTROL CABLE TIE-IN "B"	2					
31	F15-13000002W	凸轮机构	CAM MECHANISM	1					
32	GB/T818-M3x14	十字槽盘头螺钉M3x14	PAN HEAD SCREW M3X14	2					
33	F15-13000800W	微动开关	INCHING SWITCH	1					
34	F15-13000003W	档位弹簧片压板	PLATE	1					
35	F15-13000004W	档位滑轮	PULLEY	1					
36	F15-13000001W	档位弹簧片 B	SHIFT SPRING PLATE "B"	5					
37	F15-12000016W	标贴 16	MARK 16	1					
38	GB/T6170-M6	六角螺母 M6	NUT M6	3					
39	F15-13000008W	凸轮机构减磨片	WEARABLE PLATE ,CAM MACHANISM	1					
40	F15-13000700W	变档摆杆	SHIFT SWING LINK	1					
41	F15-13000601W	调节器固定板组件	ADJUSTER FASTNESS ASSY	1					
42	GB/T5783-M5x25	六角螺栓 M5x25	BOLT M5x25	2					
43	GB/T6170-M5	六角螺母 M5	NUT M5	2					

零部件名称: 发动机总成 (维修件)

PARTS NAME: ENGINE ASSY (REPAIR KIT)



零部件名称:

发动机总成 (维修件)

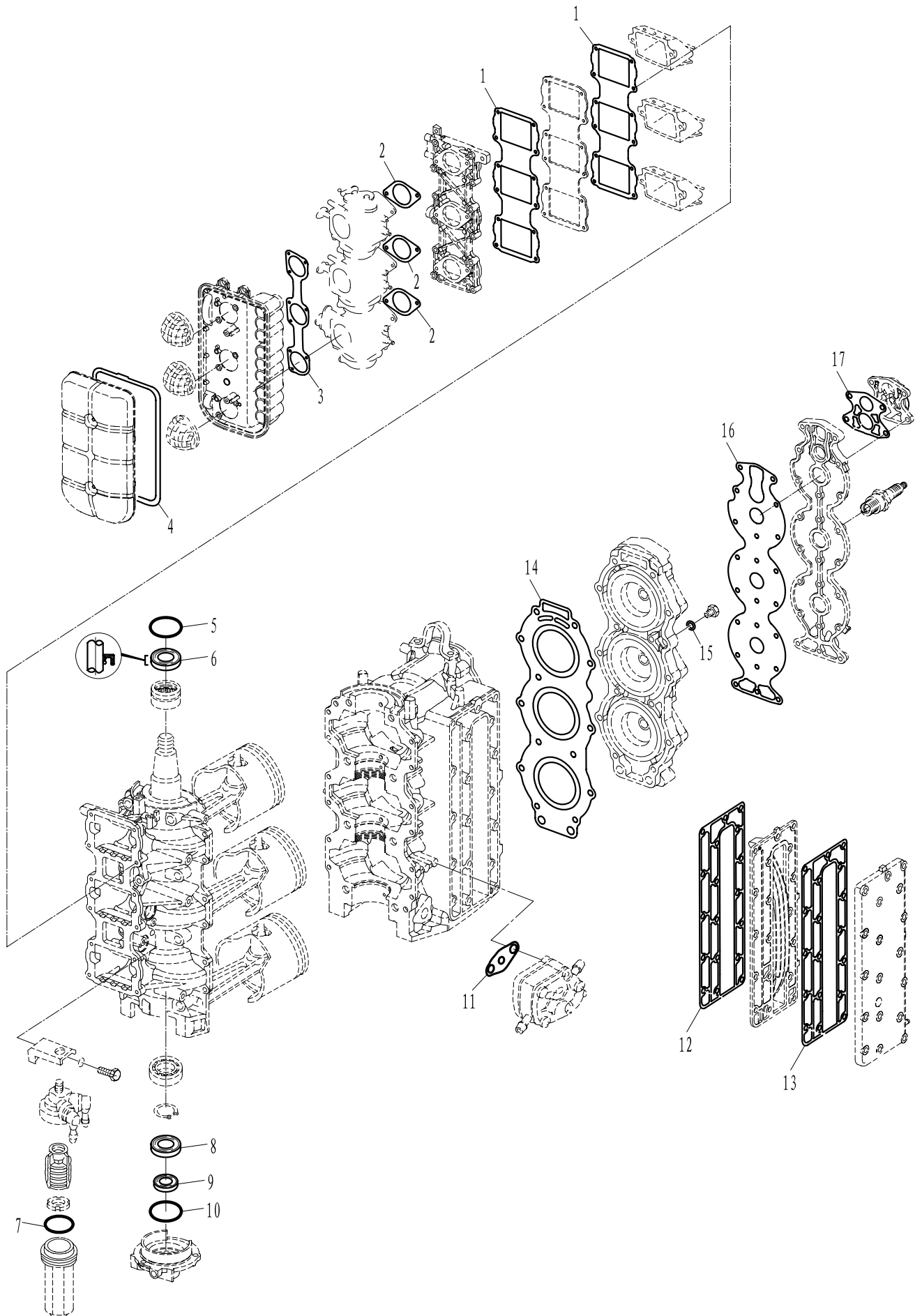
PARTS NAME:

ENGINE ASSY (REPAIR KIT)

SN. 参照号码	PART NO. 零件编号	DESCRIPTION 零件名称 (中文)	DESCRIPTION 零件名称 (英文)	QTY 数量					REMARKS 备注
1	T85-05020000	曲轴连杆活塞组件	CRANKSHAFT CONNECTING ROD PISTON ASSY	1					
2	T85-05020004	O型圈47.5x2.65	O-RING 47.5x2.65	1					
3	T85-05020003	曲轴上油封 36x46x6	OIL SEAL 36x46x6	1					
4	36NQ5238	轴承52x38x38	BEARING 52x38x38	1					
5	T85-05020101	曲轴	CRANKSHAFT	1					
6	T85-05020001	分离式轴承	SEPARATE BEARING	2					
7	T85-05020300	连杆组件	CONNECTING ROD ASSY	3					
8	T85-05020002	分离式轴承	SEPARATE BEARING	3					
9	T85-05020007	活塞垫片	WASHER, PISTON	6					
10	T40-05020008	圆头滚针Φ2.5x20.8	NEEDLE ROLLER Φ2.5xΦ20.8	84					
11	T40-05020006	活塞销挡圈	CIRCLIP, PISTON PIN	6					
12	T85-05020104	活塞销	PIN, PISTON	3					
13	T85-05020201	活塞	PISTON	3					
14	T85-05020202	活塞环组件	PISTON RING ASSY	3					
15	T85-05020102	深沟球轴承83A263SH	QUILL BEARING	1					
16	GB/T894.2-32	轴用弹性挡圈32B型	SPRING CIRCLIP 32B	1					
17	T85-05010000	机体机座组件	CRANKCASE ASSY	1					
18	T85-05010201	机座	CRANKCASE	1					
19	F25-00000014	定位销Φ8x12	DOWEL PIN Φ8x12	2					
20	T85-05010101	机体	CYLINDER CASE	1					
21	GB/T97.1-6	平垫圈 6	WASHER 6	37					
22	F8-05000022	六角螺栓 M6x25	BOLT M6x25	30					
23	GB/T97.1-10	平垫圈 10	WASHER 10	8					
24	T40-05000030	六角螺栓 M10x1.25x55	BOLT M10x1.25x55	6					
25	T85-05020010	回油管D Φ3xΦ7x470	OIL PIPE D Φ3xΦ7x470	1					
26	T15-04000013	油管夹簧 C	CLIP SPRING C, OIL PIPE	8					
27	T85-05010300	回油嘴组件	OIL NIPPLE ASSY	3					
28	T40-05000202	气嘴A	GAS NIPPLE A	4					
29	GB/T818-M6x65	十字槽盘头螺钉 M6x65	BOLT M6x65	1					
30	GB/T6170-M6	六角螺母 M6	NUT M6	1					
31	T85-05010008	六角螺母 M10x1.25	NUT M10x1.25	2					
32	T85-05010003	回油管A Φ3xΦ7x105	OIL PIPE A Φ3xΦ7x105	1					
33	T85-05010004	回油管B Φ3xΦ7x185	OIL PIPE B Φ3xΦ7x185	1					
34	T15-04130103	螺母护盖	CAP, NUT	1					
35	T85-05010001	双头螺栓 M10x1.25x55	SCREW STUD M10x1.25x55	2					
36	T85-05010006	曲轴定位销	DOWEL PIN, CRANKCASE	3					
37	T85-05010005	回油管C Φ3xΦ7x210	OIL PIPE C Φ3xΦ7x210	1					
38	T85-05010400	气嘴组件B	GAS NIPPLE ASSY B	1					
39	T85-05010007	机体阳极	ANODE, CYLINDER CASE	2					
40	GB/T819.2-M4x15	十字槽沉头螺钉 M4x15	BOLT M4x15	2					
41	T85-05000017	发动机悬挂钩	HANGING HOOK, ENGINE	1					
42	GB/T97.1-8	平垫圈 8	WASHER 8	34					
43	GB/T5783-M8x20	六角螺栓 M8x20	BOLT M8x20	2					

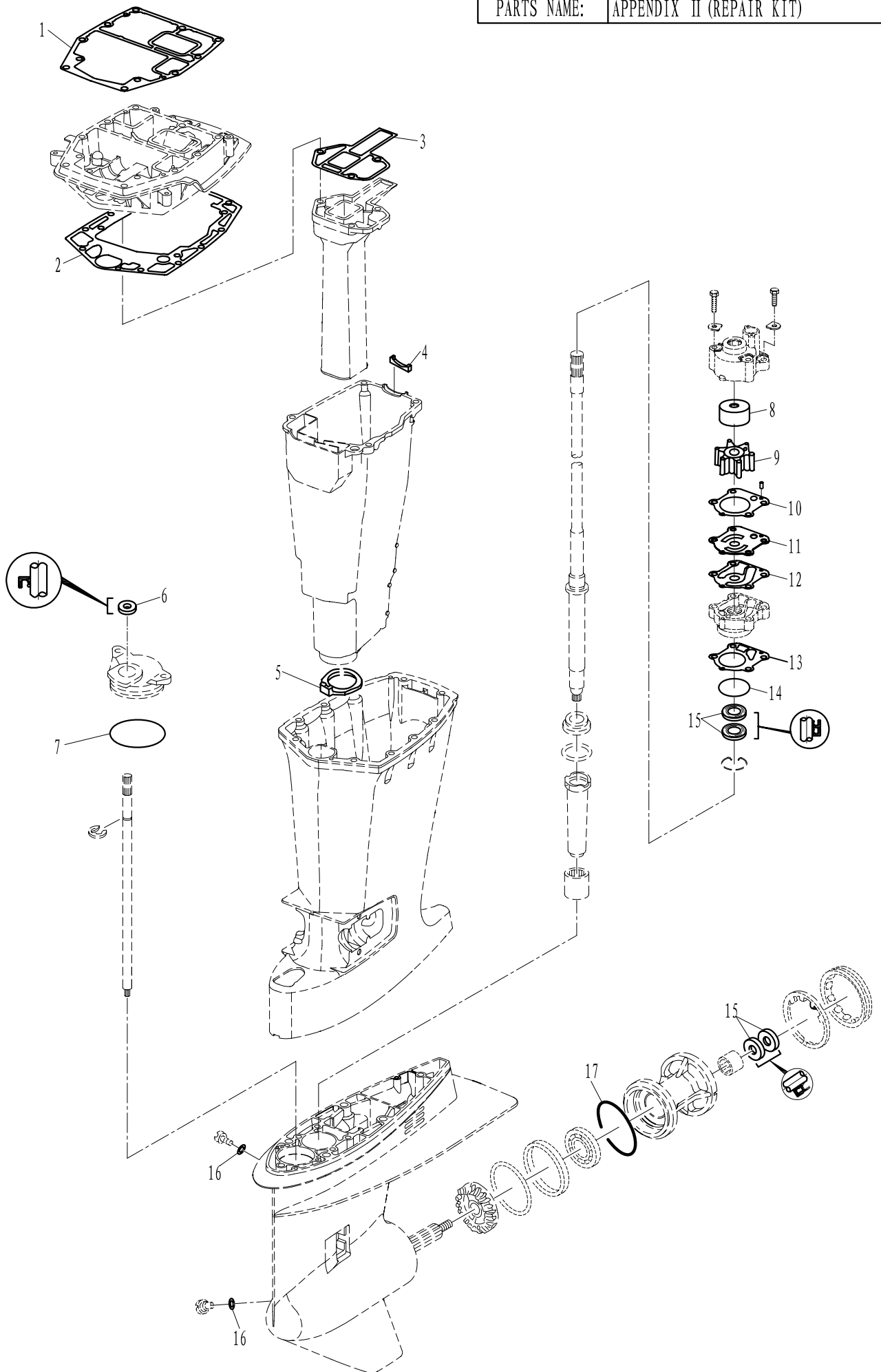
零部件名称: 附件 I (维修件)

PARTS NAME: APPENDIX I (REPAIR KIT)



零部件名称: 附件 II (维修件)

PARTS NAME: APPENDIX II (REPAIR KIT)



名称:

零件目录检索表

NAME:

PARTS CATALOGUE INDEX

零件代号 PART NO.	页码/序号 PAGE/NO.	零件代号 PART NO.	页码/序号 PAGE/NO.	零件代号 PART NO.	页码/序号 PAGE/NO.
BPR7HS	26-35	F15-13000602W	49-45	F4-03000024	15-31
F15-00000006	18-11	F15-13000700W	48-40	F4-04000030	27-48
F15-00000006	8-1	F15-13000800W	48-33	F4-04000030	29-5
F15-00000012	12-15	F15-13010001W	49-56	F4-04090005	29-27
F15-01010007	2-23	F15-13010002W	49-57	F4-04090011	29-28
F15-04000002	26-30	F15-13010004W	49-62	F4-04130102	38-2
F15-05000003	10-21	F15-13010005W	49-61	F4-05000200	29-1
F15-05000009	10-15	F15-13010008W	49-63	F8-05000022	26-6
F15-05000011	29-22	F15-13010009W	49-60	T15-01020300	5-1
F15-05010001	31-11	F15-13010010W	49-52	T15-04000010	26-39
F15-07000016	31-12	F15-13020000W	48-24	T15-04000013	26-10
F15-07000016	33-41	F15-13020001W	48-16	T15-04000023	29-13
F15-07080001	29-11	F15-13020002W	48-20	T15-04000031	26-32
F15-07130303	10-33	F15-13020003W	48-21	T15-04030103	12-7
F15-07150300W	22-9	F15-13020004W	48-22	T15-04040005	12-2
F15-07150301W	22-8	F15-13020005W	48-18	T15-04130103	26-18
F15-09000000	40-1	F15-13020006W	48-9	T20-03000006	13-48
F15-10000000	40-2	F15-13020007W	48-7	T20-03000007	13-51
F15-10000001	40-9	F15-13020100W	48-19	T20-03000008	13-49
F15-10000002	40-8	F25-00000004	10-17	T20-03000009	13-50
F15-10000003	40-7	F25-00000014	26-3	T20-06000037W	6-46
F15-10010000	40-3	F25-01010002	2-18	T20-06040007	12-5
F15-10020000	40-6	F25-01010003	2-19	T20-06040007	20-17
F15-11000001W	48-10	F25-01010011	2-24	T36-01010304-2	3-75
F15-11000002W	48-5	F25-01010012W	46-2	T36-04050006	38-43
F15-11020002W	46-9	F25-01030009	5-23	T36-05000009	10-9
F15-12000016W	48-37	F25-03000006	10-19	T40-01020101	6-49
F15-13000001W	48-36	F25-03000007	10-20	T40-02010003	18-1
F15-13000002W	48-31	F25-04000007	15-7	T40-04000012	15-2
F15-13000003W	48-34	F25-04000031	15-34	T40-04000013	18-10
F15-13000004W	48-35	F25-05000025	20-2	T40-05000024	29-19
F15-13000005W	48-8	F25-05000026	20-1	T40-05000027	38-42
F15-13000006W	49-47	F25-05090100W	22-34	T40-05000028	38-16
F15-13000007W	48-28	F25-05160021	38-5	T40-05000029	38-15
F15-13000008W	48-39	F25-05160501	38-4	T40-05000030	26-8
F15-13000011W	49-48	F25-05170101W	22-13	T40-05000100	22-31
F15-13000012W	49-49	F25-05170201W	22-12	T40-05000202	26-12
F15-13000013W	48-17	F25-05170202W	22-5	T40-05070002	12-19
F15-13000013W	49-50	F25-06000006	36-6	T40-05080000	29-18
F15-13000014W	48-11	F25-07000005W	12-30	T40-05080001	29-24
F15-13000015W	49-51	F25-07000006W	46-4	T40-05080002	29-26
F15-13000200W	48-3	F25-07000007W	48-30	T40-05080003	29-25
F15-13000202W	48-15	F25-07000200W	46-1	T40-05080004	29-30
F15-13000203W	10-22	F25-07000303W	46-7	T40-05080005	29-31
F15-13000203W	48-14	F25-07000304W	46-6	T40-05080006	29-32
F15-13000300W	49-44	F4-01090006	5-6	T40-05080007	29-33
F15-13000400W	6-49	F4-01090007	5-4	T40-05110002	38-24
F15-13000400W	48-13	F4-01090401	6-50	T40-05110003	38-25
F15-13000500W	48-27	F4-01090401	48-12	T6-05000022	45-10
F15-13000601W	48-41	F4-03000023	15-30		

名称:

零件目录检索表

NAME:

PARTS CATALOGUE INDEX

零件代号 PART NO.	页码/序号 PAGE/NO.	零件代号 PART NO.	页码/序号 PAGE/NO.	零件代号 PART NO.	页码/序号 PAGE/NO.
T85-0000001	3-55	T85-01010204	3-67	T85-01030018	5-39
T85-0000003	2-4	T85-01010205	2-35	T85-01030019	6-57
T85-0000004	3-53	T85-01010206	2-36	T85-01030101	5-5
T85-0000005	3-44	T85-01010207	2-37	T85-01030102	5-11
T85-0000006	3-45	T85-01010208	2-38	T85-01030200	5-8
T85-0000007	2-43	T85-01010209	43-84	T85-01030301	5-24
T85-0000008	2-40	T85-01010210	2-28	T85-01030500	5-37
T85-0000010	13-55	T85-01010211	3-74	T85-02000001	8-16
T85-0000011	18-16	T85-01010213	3-76	T85-02000002	18-4
T85-0000012	2-25	T85-01010300	3-65	T85-02000003	8-19
T85-0000012	18-8	T85-01010400	3-64	T85-02000004	8-15
T85-0000013	8-17	T85-01010403	3-63	T85-02000005	2-1
T85-0000014	8-2	T85-01010501	45-12	T85-02000006	10-27
T85-0000015	3-71	T85-01010502	45-9	T85-02000007	10-28
T85-0000016	3-68	T85-01010503	45-6	T85-02000008	8-23
T85-0000017	2-31	T85-01010600	45-8	T85-02000009	8-24
T85-0000017	45-2	T85-01010601	45-7	T85-02000010	8-22
T85-0000018	2-32	T85-01010602	45-13	T85-02010001	8-3
T85-0000018	45-4	T85-01010700BW	6-51	T85-02010002	8-12
T85-0000019	3-54	T85-01010701BW	6-52	T85-02010003	8-11
T85-0000020	3-50	T85-01010702BW	6-54	T85-02010004L	18-2
T85-00000100	3-56	T85-01010703BW	6-55	T85-02010004X	18-2
T85-00000200	10-23	T85-01010705BW	6-56	T85-02010005	18-3
T85-00000201	10-24	T85-01020001	2-10	T85-02010007	8-13
T85-00000202	10-26	T85-01020002	3-70	T85-02010008	8-6
T85-00000203	10-25	T85-01020003	3-69	T85-02010009	8-14
T85-00010001	13-54	T85-01020004	3-47	T85-02010010	8-7
T85-00010002	13-52	T85-01020005	3-46	T85-02020001	2-8
T85-00010003	13-47	T85-01020006	3-48	T85-02020002	2-7
T85-00010006	12-41	T85-01020007	3-49	T85-02020003	2-5
T85-00010007	12-43	T85-01020008	2-11	T85-02020004	2-6
T85-00010008	12-36	T85-01020009	2-13	T85-02020100	2-9
T85-00010009	12-37	T85-01020010	3-52	T85-03000001	10-3
T85-00010010	12-40	T85-01030001	5-7	T85-03000001-BM	10-34
T85-00010100	13-53	T85-01030002	5-12	T85-03000002	27-49
T85-00010100X	13-53	T85-01030003	5-42	T85-03000003	10-18
T85-00010200	12-42	T85-01030004	5-14	T85-03000004	10-30
T85-00010300	13-56	T85-01030005	5-13	T85-03000005	22-27
T85-00010300X	13-56	T85-01030006	27-51	T85-03000005	10-31
T85-01010001	3-66	T85-01030007	5-22	T85-03000006	22-26
T85-01010002	2-22	T85-01030008	6-44	T85-03000007	10-29
T85-01010003	2-21	T85-01030009	5-36	T85-03000008	10-4
T85-01010004	3-62	T85-01030010	5-34	T85-03000009	10-5
T85-01010005	3-61	T85-01030011	5-32	T85-03000010	10-8
T85-01010006	45-3	T85-01030012	5-29	T85-03000011	10-2
T85-01010007	45-14	T85-01030013	5-25	T85-03000013	10-32
T85-01010100	3-73	T85-01030014	5-27	T85-03000100	12-31
T85-01010201	2-29	T85-01030015	5-18	T85-03000101	12-34
T85-01010202	2-16	T85-01030016	5-19	T85-03000102	12-32
T85-01010203	2-17	T85-01030017	5-20	T85-03000200	31-10

名称:

零件目录检索表

NAME:

PARTS CATALOGUE INDEX

零件代号 PART NO.	页码/序号 PAGE/NO.	零件代号 PART NO.	页码/序号 PAGE/NO.	零件代号 PART NO.	页码/序号 PAGE/NO.
T85-03000300	10-1	T85-04000603	16-57	T85-05010000	26-1
T85-03000400	10-16	T85-04000604	16-54	T85-05010001	26-19
T85-04000000L	16-63	T85-04000605	16-52	T85-05010003	26-16
T85-04000000X	16-63	T85-04000606	16-53	T85-05010004	26-17
T85-04000001	15-35	T85-04010000	15-17	T85-05010005	26-21
T85-04000002	15-21	T85-04010000X	15-17	T85-05010006	26-20
T85-04000003	15-20	T85-04020000	18-18	T85-05010007	26-23
T85-04000004	16-41	T85-05000001	26-28	T85-05010008	26-15
T85-04000005	16-37	T85-05000002	26-29	T85-05010101	26-4
T85-04000006	15-36	T85-05000003	26-31	T85-05010201	26-2
T85-04000007	16-40	T85-05000005	26-33	T85-05010300	26-11
T85-04000008	15-29	T85-05000006	26-34	T85-05010400	26-22
T85-04000009	15-26	T85-05000007	26-36	T85-05020000	24-1
T85-04000011	15-25	T85-05000008	26-37	T85-05020001	24-6
T85-04000013	18-9	T85-05000009	26-38	T85-05020002	24-8
T85-04000014	15-16	T85-05000010	26-40	T85-05020003	24-3
T85-04000015	15-10	T85-05000011	26-41	T85-05020004	24-2
T85-04000016	15-9	T85-05000012	22-32	T85-05020005	24-24
T85-04000017	15-8	T85-05000013	26-43	T85-05020006	24-11
T85-04000018	15-18	T85-05000014	27-44	T85-05020007	24-9
T85-04000020	16-61	T85-05000015	27-45	T85-05020008	24-10
T85-04000021	16-62	T85-05000016	27-46	T85-05020010	26-9
T85-04000021	18-21	T85-05000017	26-25	T85-05020101	24-5
T85-04000022	16-38	T85-05000018	20-22	T85-05020102	24-15
T85-04000023	15-33	T85-05000019	22-23	T85-05020104	24-12
T85-04000024	18-17	T85-05000020	22-17	T85-05020201	24-13
T85-04000025	18-19	T85-05000021	20-20	T85-05020202	24-14
T85-04000026	18-20	T85-05000022	22-14	T85-05020300	24-7
T85-04000027	16-60	T85-05000023	22-25	T85-05020400	24-17
T85-04000100	16-43	T85-05000024	29-6	T85-05020401	24-21
T85-04000200	15-11	T85-05000025	29-16	T85-05020402	24-19
T85-04000201	15-12	T85-05000026	29-20	T85-05020403	24-18
T85-04000202	15-14	T85-05000027	29-21	T85-05030001	22-33
T85-04000203	15-15	T85-05000028	29-23	T85-05030002	22-11
T85-04000204	15-13	T85-05000031	12-10	T85-05030003	22-38
T85-04000300	15-6	T85-05000033	39-45	T85-05030004	22-39
T85-04000401	15-4	T85-05000034	39-50	T85-05030005	22-3
T85-04000402	15-5	T85-05000035	39-54	T85-05030100	22-22
T85-04000404	18-7	T85-05000036	13-57	T85-05030200	22-19
T85-04000405	18-6	T85-05000037	27-50	T85-05030300	22-10
T85-04000500	16-51	T85-05000039	20-23	T85-05030400	22-29
T85-04000501	16-50	T85-05000040	39-47	T85-05030500	22-24
T85-04000502	16-46	T85-05000041BW	6-47	T85-05030600	22-7
T85-04000503	16-47	T85-05000042BW	6-48	T85-05030800	22-40
T85-04000504	16-48	T85-05000100	20-9	T85-05040000	20-10
T85-04000505	16-49	T85-05000200	22-35	T85-05040001	20-16
T85-04000506	16-45	T85-05000300	29-7	T85-05040002	20-13
T85-04000507	16-44	T85-05000301	29-8	T85-05040003	20-15
T85-04000600	16-56	T85-05000302	29-10	T85-05040004	20-18
T85-04000601	16-58	T85-05000400	20-3		

名称:

零件目录检索表

NAME:

PARTS CATALOGUE INDEX

零件代号 PART NO.	页码/序号 PAGE/NO.	零件代号 PART NO.	页码/序号 PAGE/NO.	零件代号 PART NO.	页码/序号 PAGE/NO.
T85-05040005	20-21	T85-05070018	38-34	T85-06000001	43-83
T85-05040100	20-14	T85-05070019	38-36	T85-06000002	43-51
T85-05050001	12-11	T85-05070020	38-35	T85-06000002	45-1
T85-05050003	12-20	T85-05070021	38-37	T85-06000003	42-31
T85-05050004	12-13	T85-05070022	38-38	T85-06000004	42-28
T85-05050005	12-14	T85-05070023	38-3	T85-06000005	42-29
T85-05050006	12-21	T85-05070100	39-49	T85-06000006	42-7
T85-05050007	22-30	T85-05160200	33-1	T85-06000007	42-6
T85-05050100	12-16	T85-05160201	33-9	T85-06000100	43-53
T85-05050101	12-17	T85-05160202	33-8	T85-06000200	43-52
T85-05050102	12-18	T85-05160203	33-34	T85-06000300	42-26
T85-05050201	12-12	T85-05160204	33-4	T85-06010001	43-54
T85-05050202	12-9	T85-05160205	33-32	T85-06010003	42-36
T85-05050300	12-1	T85-05160206	33-33	T85-06010007	42-10
T85-05050301	12-4	T85-05160207	33-29	T85-06010009	42-4
T85-05060001	33-5	T85-05160210	33-36	T85-06010011	42-33
T85-05060002	31-15	T85-05160211	33-31	T85-06010100	42-40
T85-05060003	31-16	T85-05160212	33-10	T85-06010101	42-42
T85-05060004	33-7	T85-05160213	33-11	T85-06010102	42-41
T85-05060005	31-9	T85-05160214	33-38	T85-06010105	42-38
T85-05060006	31-8	T85-05160215	33-39	T85-06010106	42-37
T85-05060007	31-5	T85-05160216	33-37	T85-06010201	42-16
T85-05060008	31-4	T85-05160217	33-23	T85-06010203	42-14
T85-05060009	31-3	T85-05160218	33-20	T85-06010204	42-13
T85-05060010	12-29	T85-05160219	33-14	T85-06010205	42-12
T85-05060011	12-28	T85-05160220	33-15	T85-06010206	42-11
T85-05060012	12-27	T85-05160221	33-21	T85-06010207	42-25
T85-05060013	20-4	T85-05160222	33-19	T85-06010301	42-17
T85-05060029	33-6	T85-05160223	33-18	T85-06010303	42-20
T85-05060100	31-17	T85-05160224	33-16	T85-06010400	42-21
T85-05060300	12-23	T85-05160225	33-17	T85-06010401	42-22
T85-05060301	12-24	T85-05160226	33-24	T85-06010402	42-23
T85-05070000	38-1	T85-05160227	33-28	T85-06010403	42-24
T85-05070001	38-22	T85-05160228	33-27	T85-06010501	43-49
T85-05070002	38-23	T85-05160230	33-43	T85-06010503	43-46
T85-05070003	38-12	T85-05160231	33-42	T85-06010601	43-55
T85-05070004	38-7	T85-05160232	34-44	T85-06010602	43-56
T85-05070005	38-6	T85-05160233	34-45	T85-06010603	43-57
T85-05070006	38-18	T85-05160234	33-40	T85-06010604	43-58
T85-05070007	38-19	T85-05160235	34-47	T85-06010606	43-60
T85-05070008	38-17	T85-05160236	31-20	T85-06010700	42-32
T85-05070009	38-21	T85-05160237	34-53	T85-06020000	43-63
T85-05070010	38-20	T85-05160238	34-49	T85-06020001	43-82
T85-05070011	38-27	T85-05160239	34-52	T85-06020002	43-66
T85-05070012	38-28	T85-05160240	34-51	T85-06020003	43-65
T85-05070013	38-32	T85-05160241	34-50	T85-06020005	43-73
T85-05070014	38-29	T85-05160242	34-46	T85-06020006	43-74
T85-05070015	38-31	T85-05160400	31-23	T85-06020007	43-76
T85-05070016	38-30	T85-05160405	31-21	T85-06020008	43-77
T85-05070017	38-33	T85-06000000	42-1	T85-06020011	42-81

名称:

零件目录检索表

NAME:

PARTS CATALOGUE INDEX

零件代号 PART NO.	页码/序号 PAGE/NO.	零件代号 PART NO.	页码/序号 PAGE/NO.	零件代号 PART NO.	页码/序号 PAGE/NO.
T85-06020014	43-75	T85-07000003	36-7	T85-08000201W	46-8
T85-06020100	43-70	T85-07000004	36-12	T85-09000001	36-3
T85-06020201	43-71	T85-07000005	36-15	T85-09000002	36-16
T85-06020202	42-19	T85-07000006	36-13	T85-09000003	36-5
T85-06021000	43-64	T85-07000007	36-11	E4-07020015W	49-65
T85-06030000	42-27	T85-07000008	36-19	E4-10040001W	49-55
T85-07000000-E	36-1	T85-07000009	36-20		
T85-07000000-M	36-21	T85-07000010	36-18		
T85-07000001	36-4	T85-08000004	36-17		
T85-07000002	36-2	T85-08000200W	46-10		